



US00D808855S

(12) **United States Design Patent** (10) **Patent No.:** **US D808,855 S**  
**Zhang et al.** (45) **Date of Patent:** **\*\* Jan. 30, 2018**

(54) **BALANCE VEHICLE**

(56) **References Cited**

(71) Applicant: **SHENZHEN CHITADO TECHNOLOGY CO., LTD.**, Shenzhen (CN)

U.S. PATENT DOCUMENTS

(72) Inventors: **Dianxuan Zhang**, Shenzhen (CN); **Dengjin Zhou**, Shenzhen (CN); **Yang Zhang**, Shenzhen (CN); **Fuqi Zhou**, Shenzhen (CN)

|              |      |        |        |       |             |
|--------------|------|--------|--------|-------|-------------|
| 9,403,573    | B1 * | 8/2016 | Mazzei | ..... | B62D 51/02  |
| D778,782     | S *  | 2/2017 | Chen   | ..... | D12/1       |
| D779,375     | S *  | 2/2017 | Zeng   | ..... | D12/1       |
| D783,751     | S *  | 4/2017 | Yao    | ..... | D21/760     |
| D785,113     | S *  | 4/2017 | Ying   | ..... | D21/760     |
| D786,995     | S *  | 5/2017 | Ying   | ..... | D21/760     |
| 9,745,013    | B2 * | 8/2017 | Wood   | ..... | B62K 11/007 |
| 2017/0088211 | A1 * | 3/2017 | Jiang  | ..... | B62K 11/007 |

\* cited by examiner

(73) Assignee: **SHENZHEN CHITADO TECHNOLOGY CO., LTD.**, Shenzhen (CN)

*Primary Examiner* — T. Chase Nelson

*Assistant Examiner* — Ania Aman

(\*\*) Term: **15 Years**

(74) *Attorney, Agent, or Firm* — Oliff PLC

(21) Appl. No.: **29/581,794**

(57) **CLAIM**

The ornamental design for a balance vehicle, as shown and described.

(22) Filed: **Oct. 21, 2016**

**DESCRIPTION**

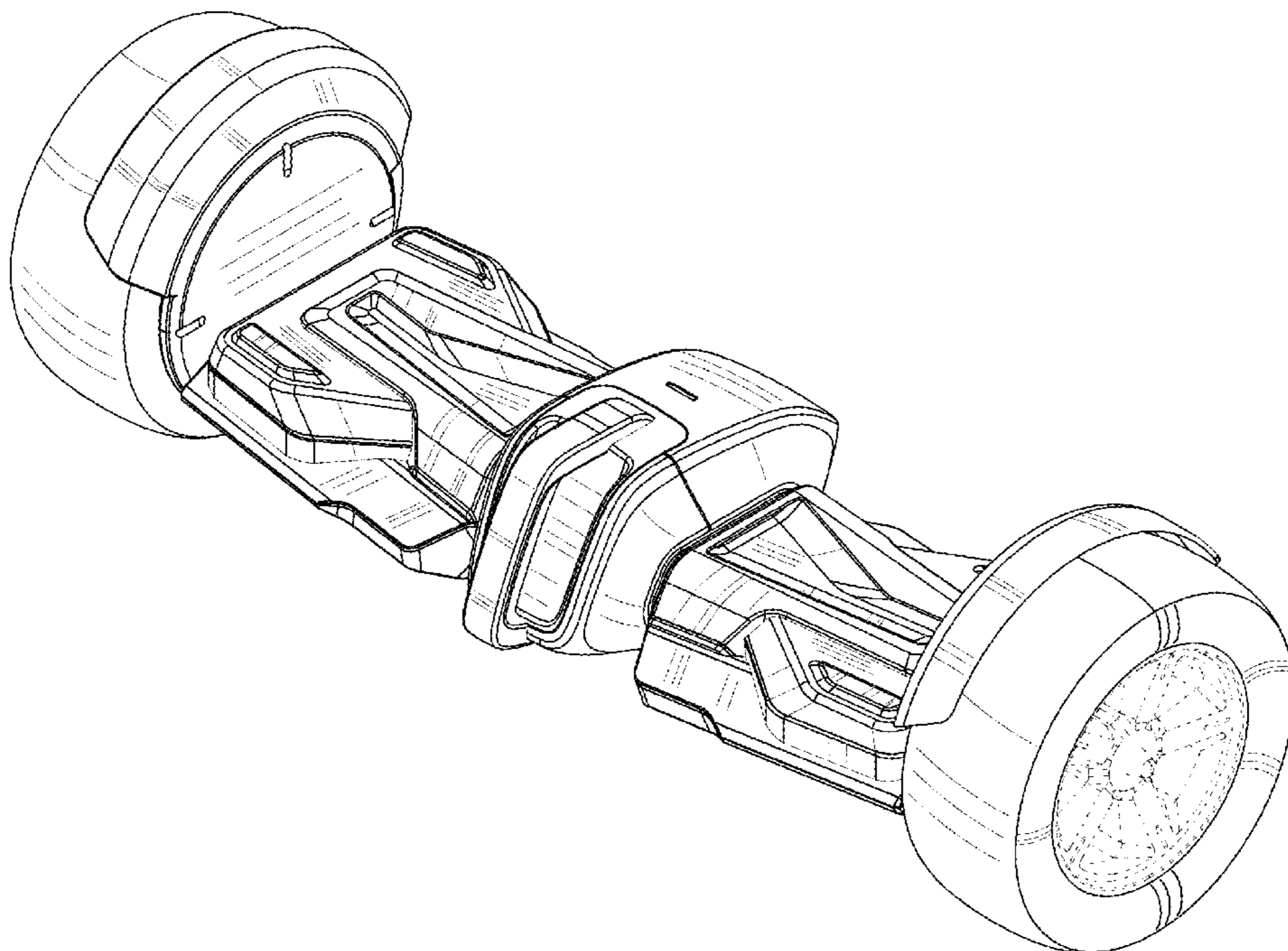
(51) **LOC (11) Cl.** ..... **12-14**

(52) **U.S. Cl.**  
USPC ..... **D12/1**

(58) **Field of Classification Search**  
USPC ..... D12/1, 5; D21/419, 421, 423, 426, 662, D21/760, 765, 766, 769, 771, 776, 803  
CPC .... B62K 3/007; B62K 17/00; B62K 2202/00; B62K 11/007; B62D 51/001; B62D 51/02; B62D 61/00; B62D 37/00; A63C 17/0033; A63C 17/01; A63C 17/016; A63C 2203/40; A63C 17/12; A63C 17/08; B60N 2/002; B60G 17/019  
See application file for complete search history.

FIG. 1 is a front, top, right-side perspective view of the balance vehicle;  
FIG. 2 is a front elevational view thereof;  
FIG. 3 is a top plan view thereof;  
FIG. 4 is a right-side elevational view thereof;  
FIG. 5 is a left-side elevational view thereof;  
FIG. 6 is a rear elevational view thereof;  
FIG. 7 is a bottom plan view thereof; and,  
FIG. 8 is a rear, top, left-side perspective view thereof.  
The broken lines depict unclaimed portions of the balance vehicle, and thus form no part of the claimed design.

**1 Claim, 7 Drawing Sheets**



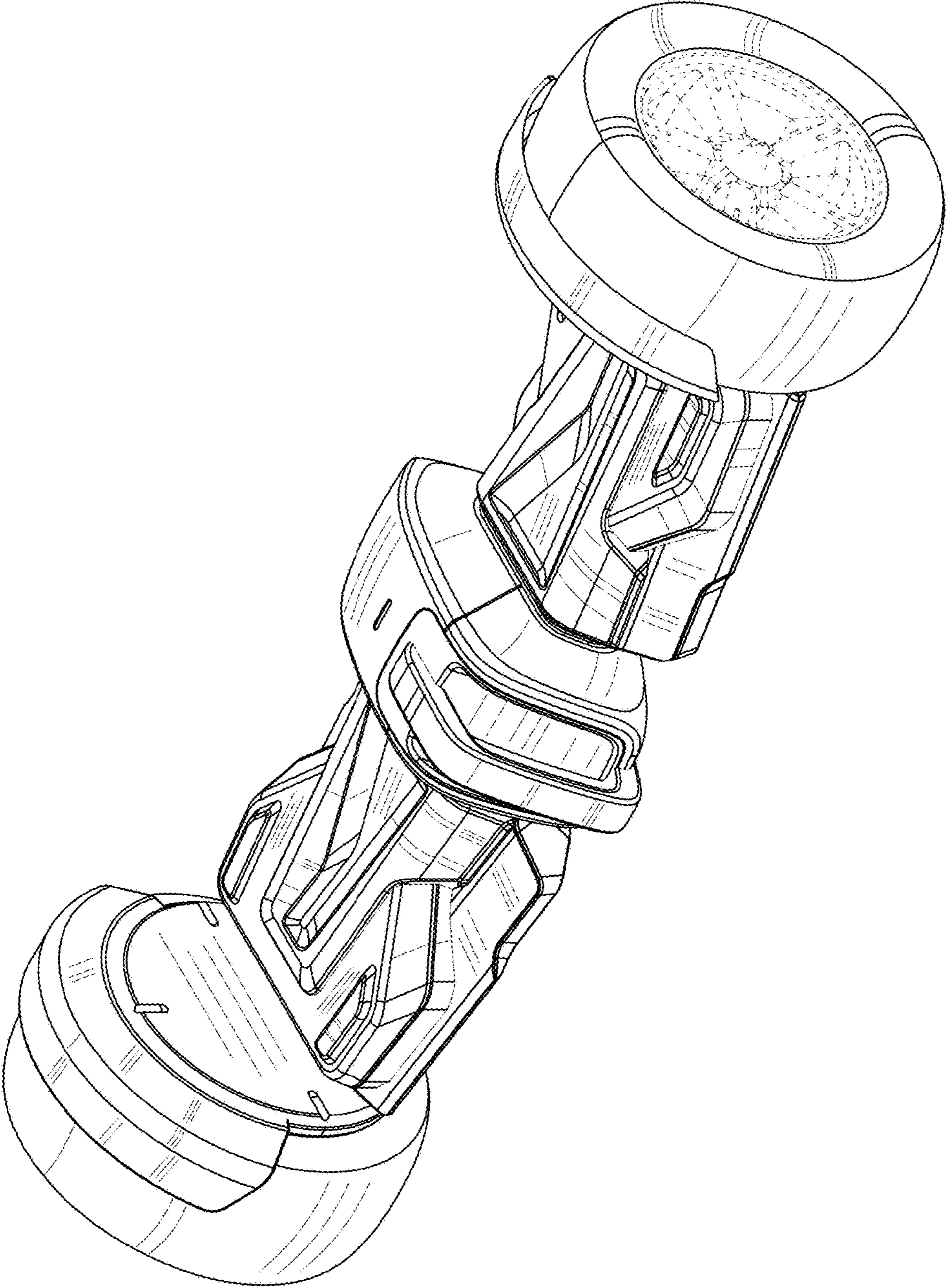


FIG. 1

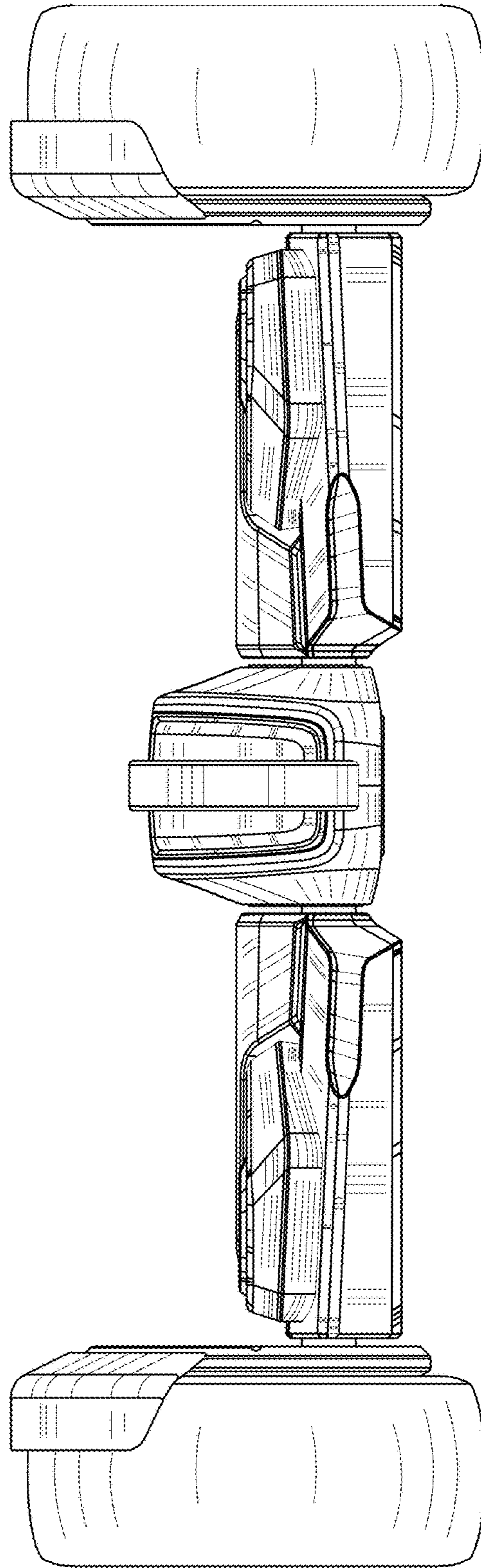


FIG. 2

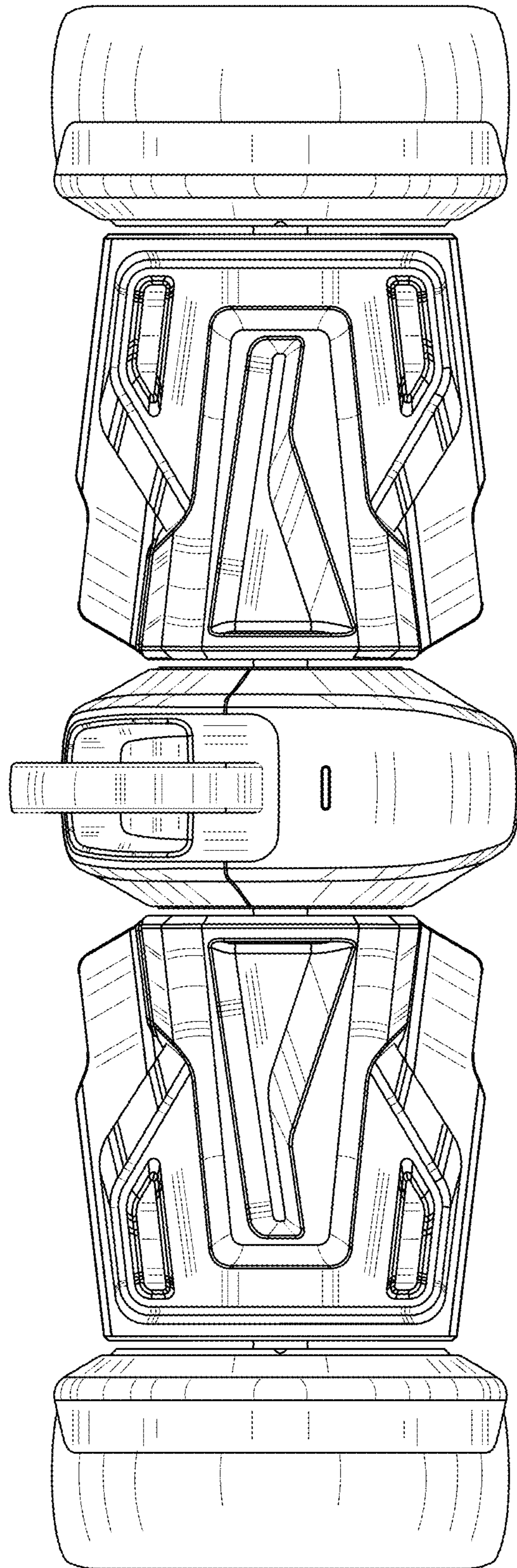


FIG. 3

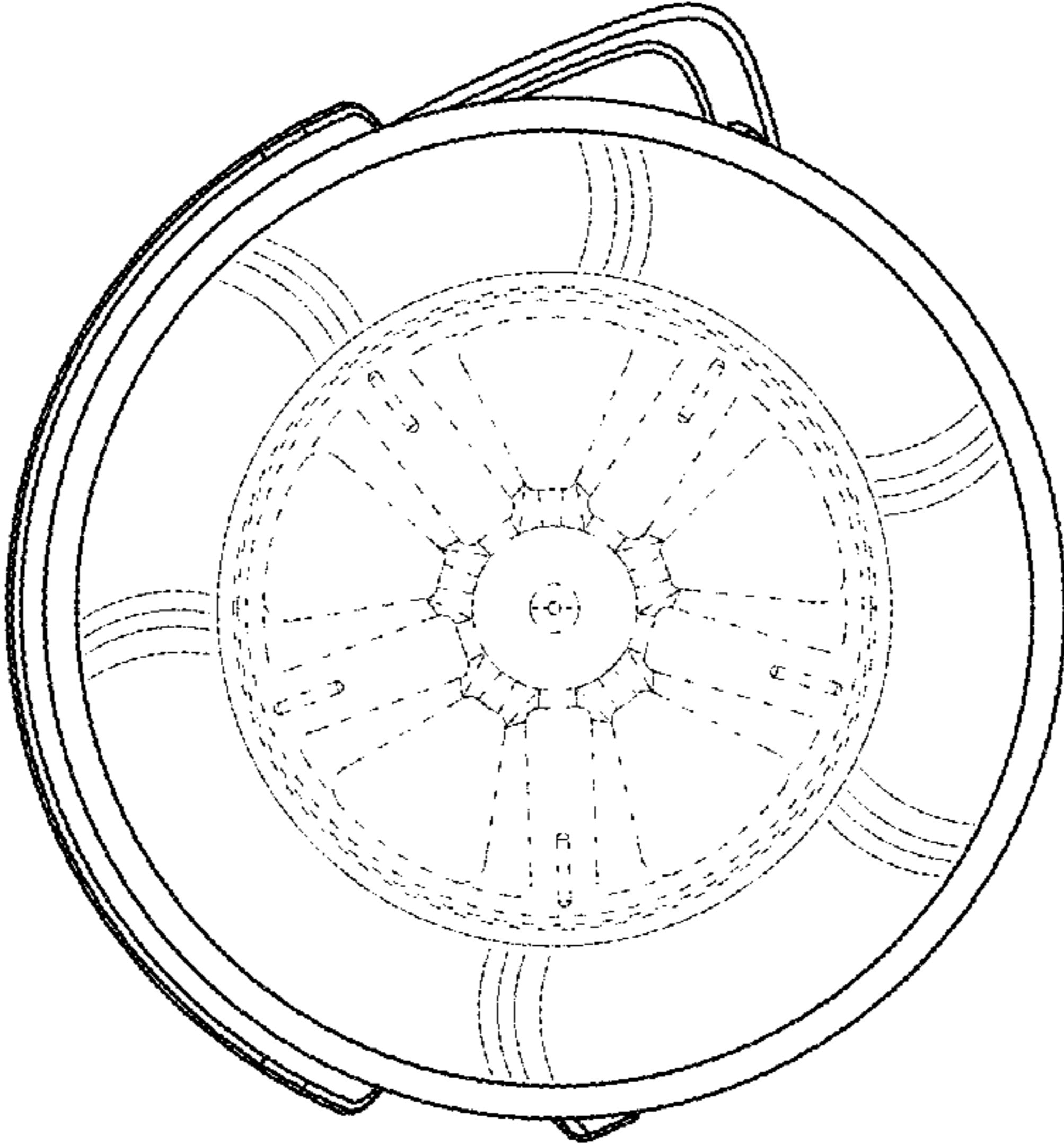


FIG. 5

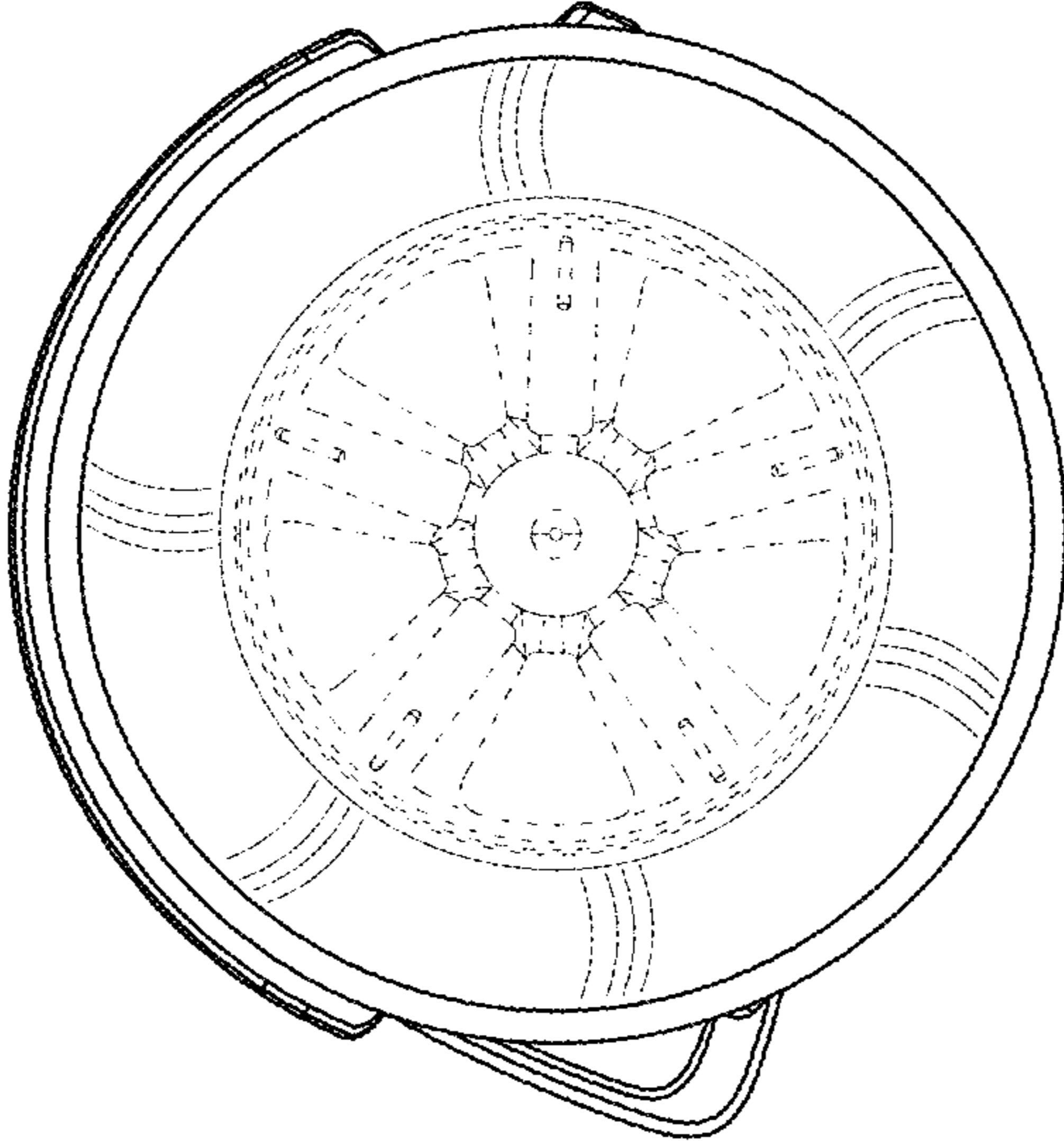


FIG. 4

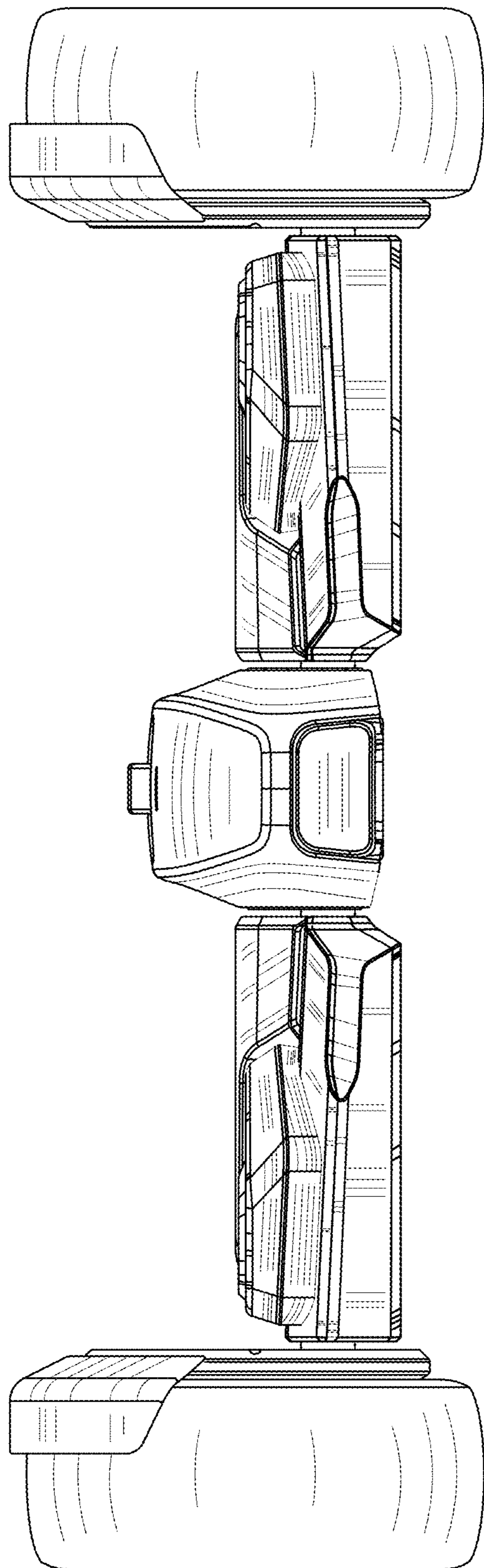


FIG. 6

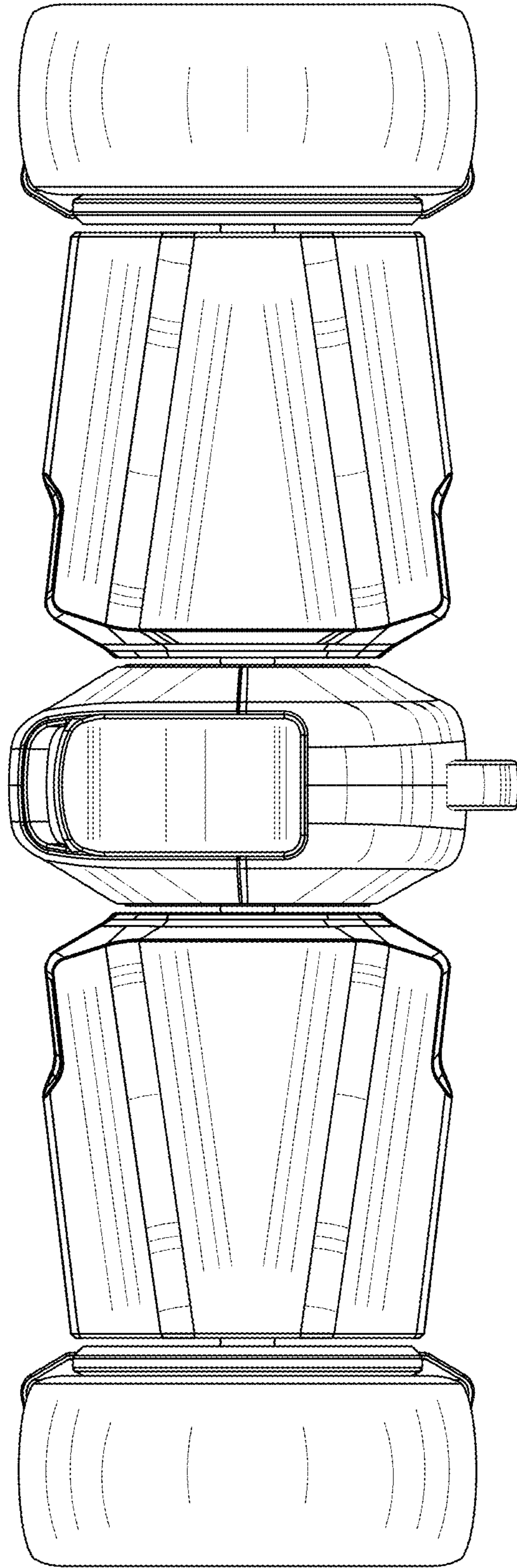


FIG. 7

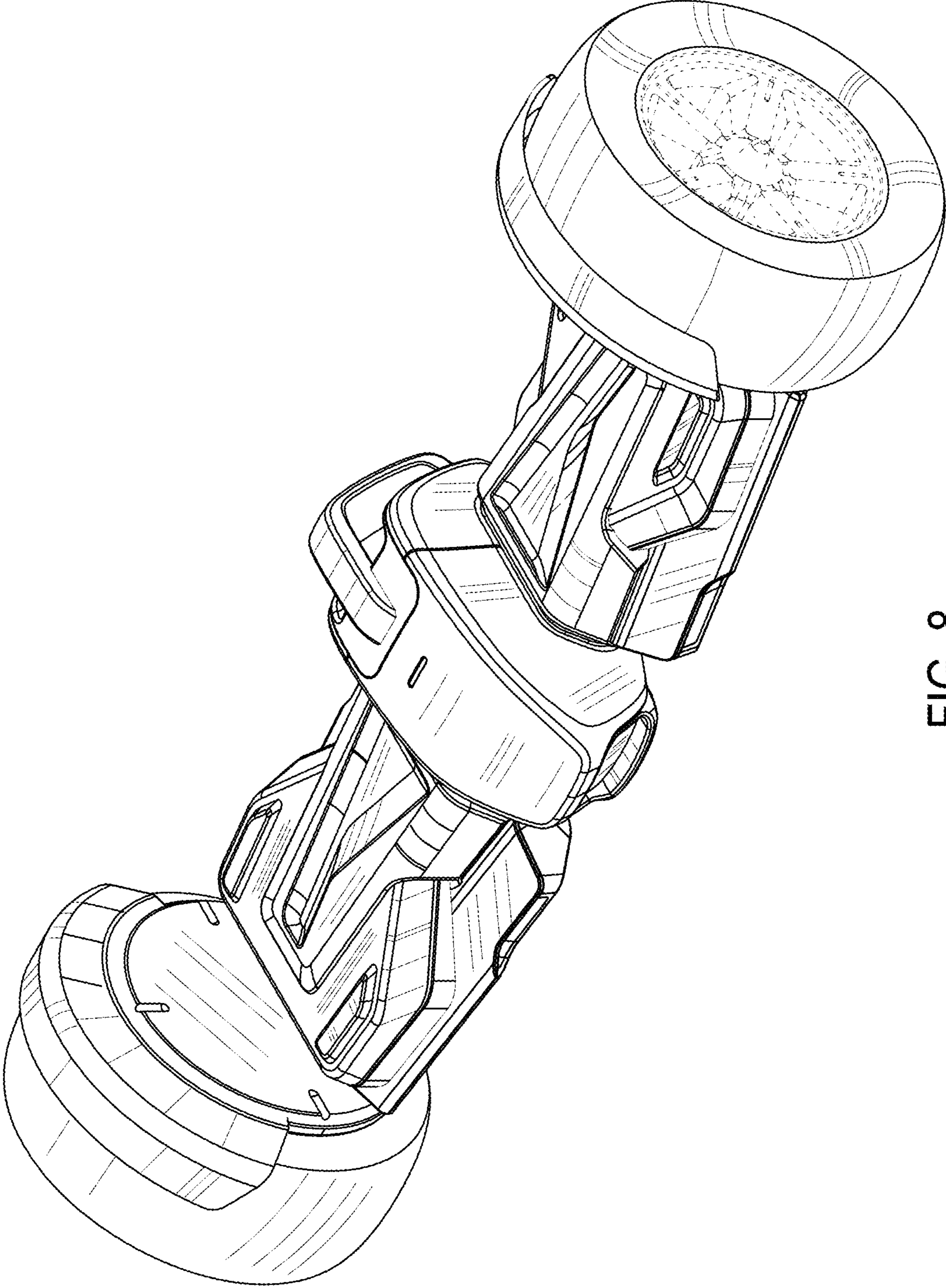


FIG. 8