



US00D808853S

(12) **United States Design Patent**
Yatsugi-Kang

(10) **Patent No.:** **US D808,853 S**

(45) **Date of Patent:** **** Jan. 30, 2018**

(54) **CHARM**

(71) Applicant: **HARRY WINSTON SA,**
Plan-les-Ouates (CH)

(72) Inventor: **Rie Yatsugi-Kang,** Cresskill, NJ (US)

(73) Assignee: **Harry Winston SA,** Plan-les-Ouates
(CH)

(**) Term: **15 Years**

(21) Appl. No.: **29/597,854**

(22) Filed: **Mar. 21, 2017**

(30) **Foreign Application Priority Data**

Sep. 21, 2016 (WO) DM/092626

(51) **LOC (11) Cl.** **11-01**

(52) **U.S. Cl.**
USPC **D11/81**

(58) **Field of Classification Search**

USPC D11/1, 2, 40-44, 79-86, 70, 47, 48, 69,
D11/49, 50, 53, 57, 59, 61, 66, 67, 75,
D11/76, 77, 95, 97, 98, 99, 100, 101,
D11/105, 106, 121, 125, 127, 128, 91, 92,
D11/111, 110, 7, 8

CPC .. A44C 1/00; A44C 3/00; A44C 3/001; A44C
3/002; A44C 3/004; A44C 3/005; A44C
3/007; A44C 3/008; A44C 7/00; A44C
7/001; A44C 7/002; A44C 7/003; A44C
7/004; A44C 21/00; A44C 23/00; A44C
25/00; A44C 25/001; A44C 25/002; A44C
25/004; A44C 25/005; A44C 25/007;
A44C 25/008; A44C 17/02; A44C
17/0208

See application file for complete search history.

(56) **References Cited**

U.S. PATENT DOCUMENTS

247,556 A * 9/1881 Goldsmith A44C 25/004
40/1.5
D107,523 S * 12/1937 Lampl D11/81

D114,541 S * 5/1939 Lampl D11/81
D131,567 S * 3/1942 Philippe D11/44
D152,934 S * 3/1949 Zimet D11/44
D523,629 S * 6/2006 Carter D3/211
D701,788 S * 4/2014 Pasquetti D11/81
D729,110 S * 5/2015 Yatsugi-Kang D11/81
D729,111 S * 5/2015 Yatsugi-Kang D11/81
D780,049 S * 2/2017 Yatsugi-Kang D11/81

OTHER PUBLICATIONS

[Online] <http://www.cheappandora2016.com/image/cache/catalog/demo/product/Pandora-Countries--Building-Pendant-Charms-791079-500x500.jpg>. Retrieved Oct. 13, 2017.*

[Online] https://guideimg.alibaba.com/images/shop/71/08/14/0/queenberry-sterling-silver-italy-leaning-tower-of-pisa-building-travel-bead-for-pandora-troll-chamilia-biagi-european-charm-bracelets_3009430.jpg. Retrieved Oct. 13, 2017.*

* cited by examiner

Primary Examiner — Melanie Pellegrini

(74) *Attorney, Agent, or Firm* — Blank Rome LLP

(57) **CLAIM**

The ornamental design for a charm, as shown.

DESCRIPTION

FIG. 1 is a front right perspective view of a charm showing my new design;

FIG. 2 is a front left perspective view thereof;

FIG. 3 is a rear right perspective view thereof;

FIG. 4 is a rear left perspective view thereof;

FIG. 5 is a front view thereof;

FIG. 6 is a rear view thereof;

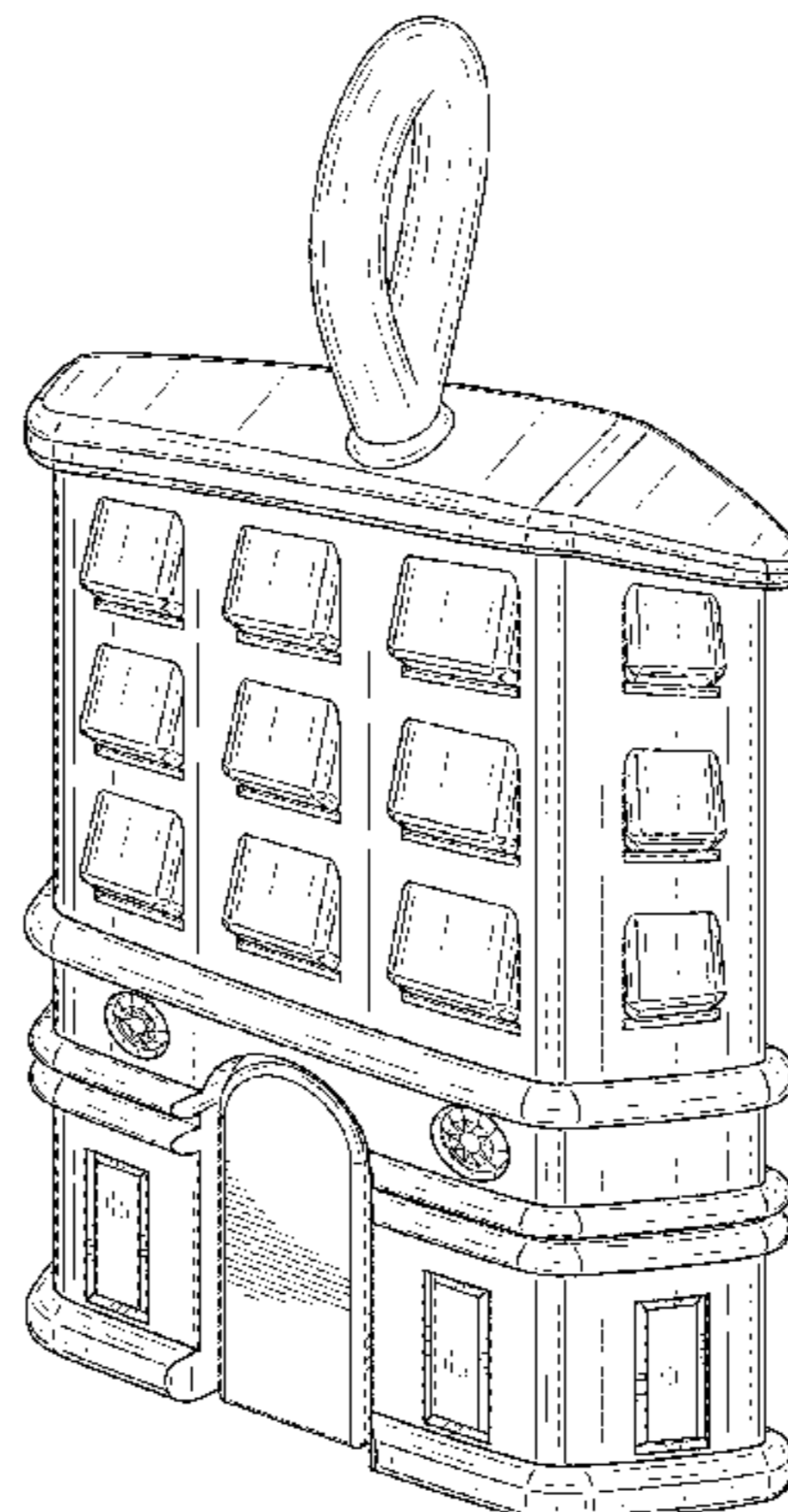
FIG. 7 is a left side view thereof;

FIG. 8 is a right side view thereof;

FIG. 9 is a top view thereof; and,

FIG. 10 is a bottom view thereof.

1 Claim, 8 Drawing Sheets



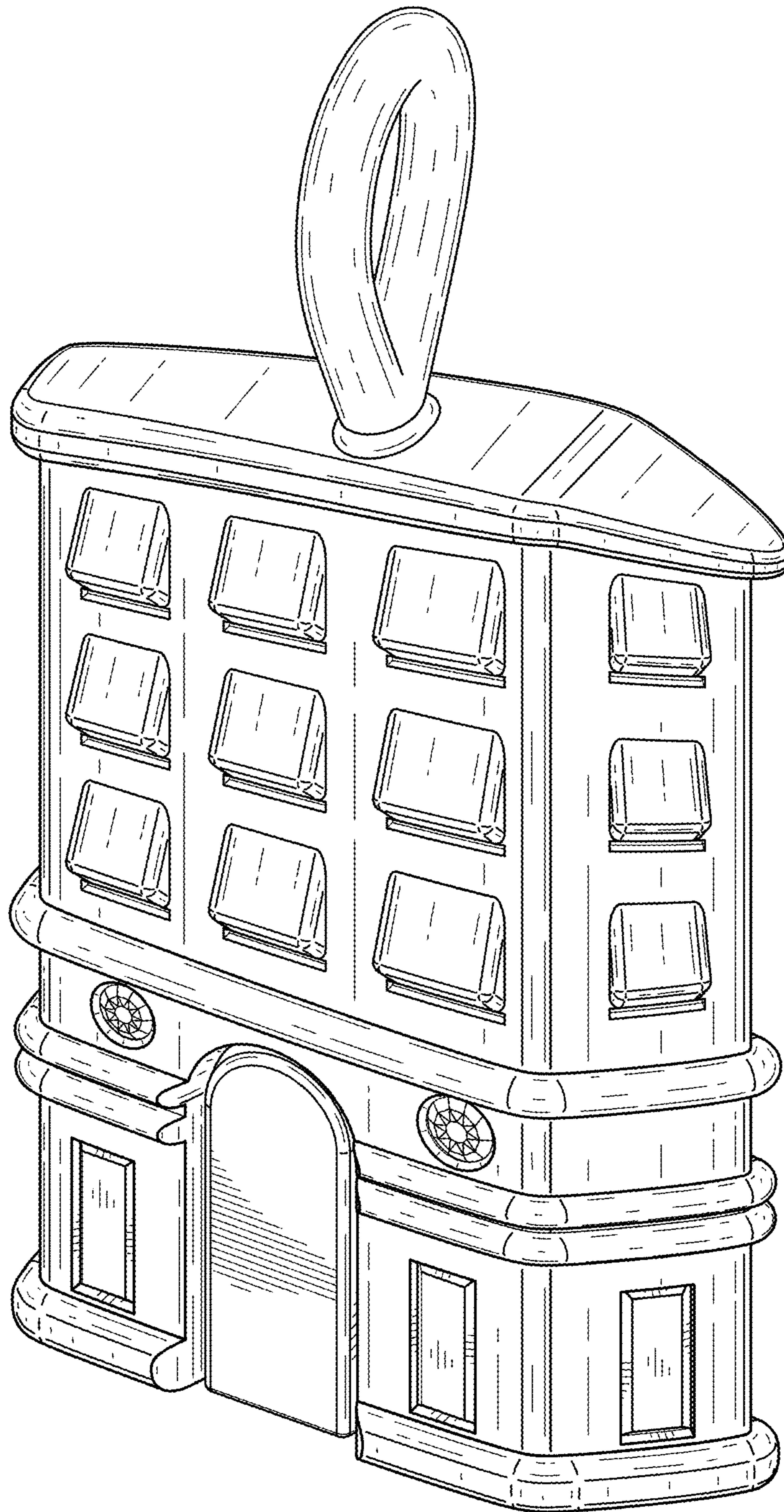


FIG. 1

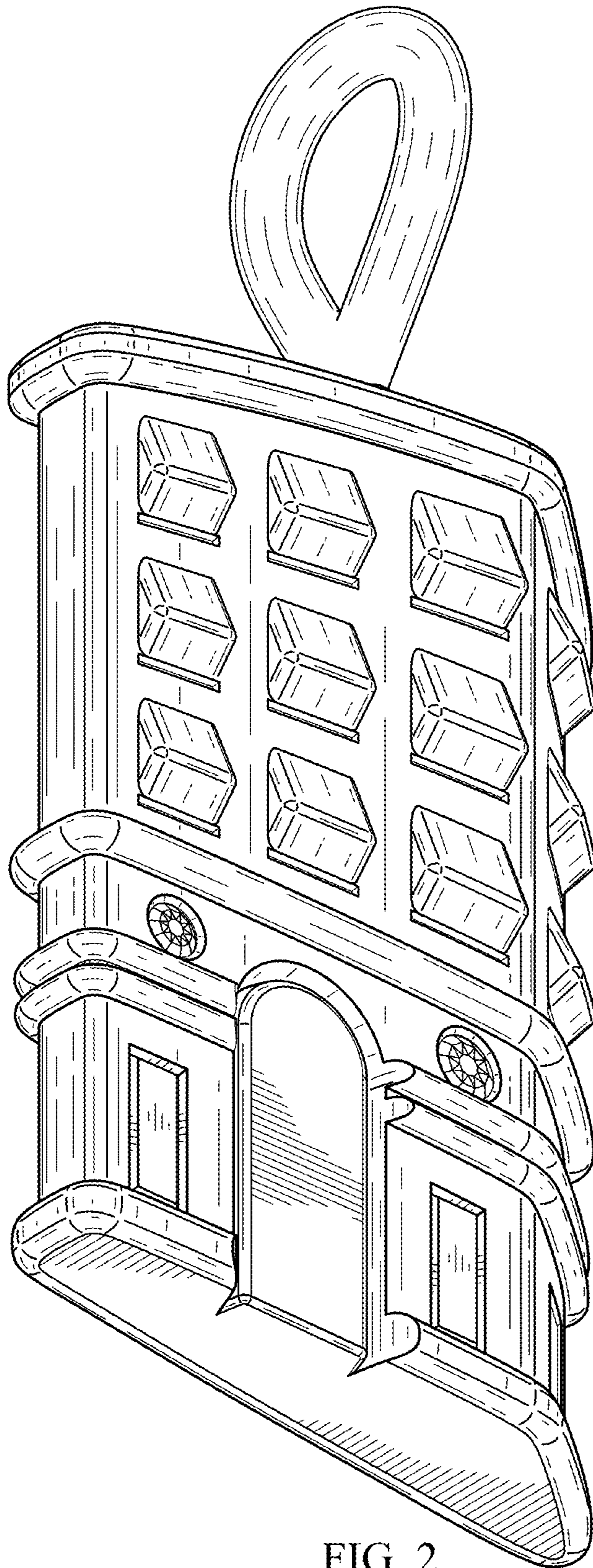


FIG. 2

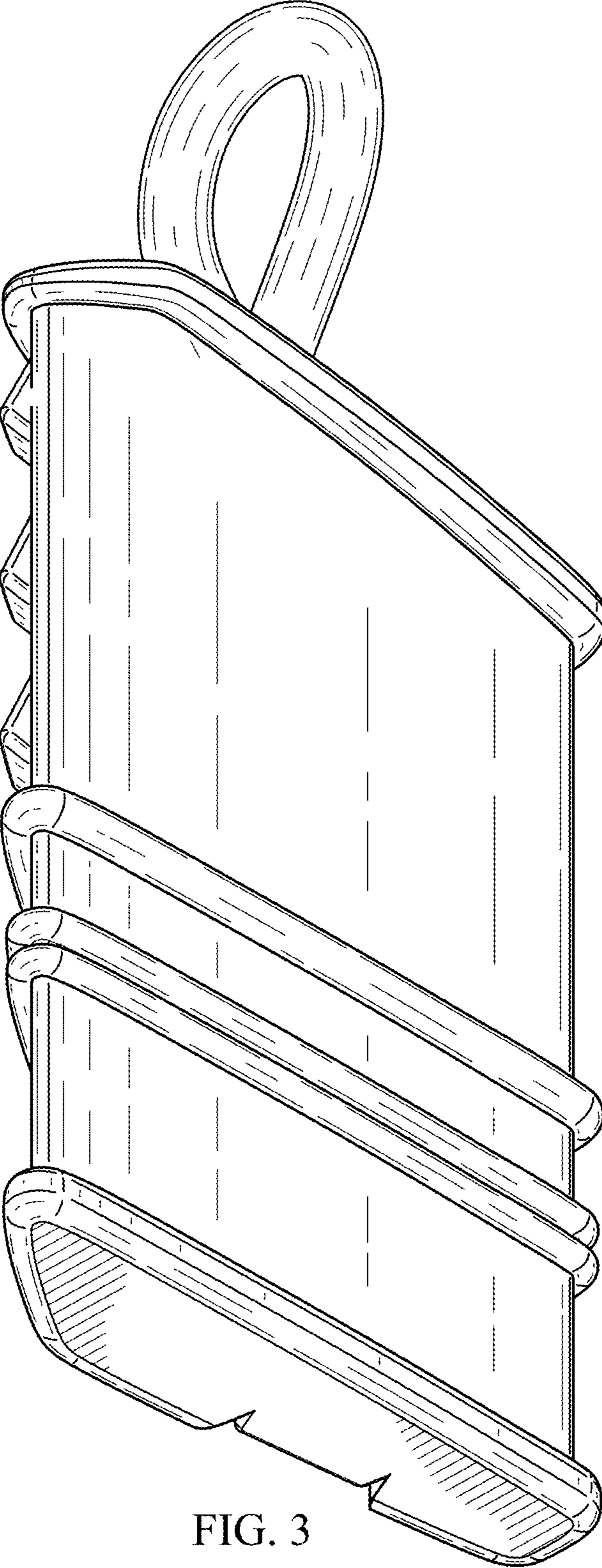


FIG. 3

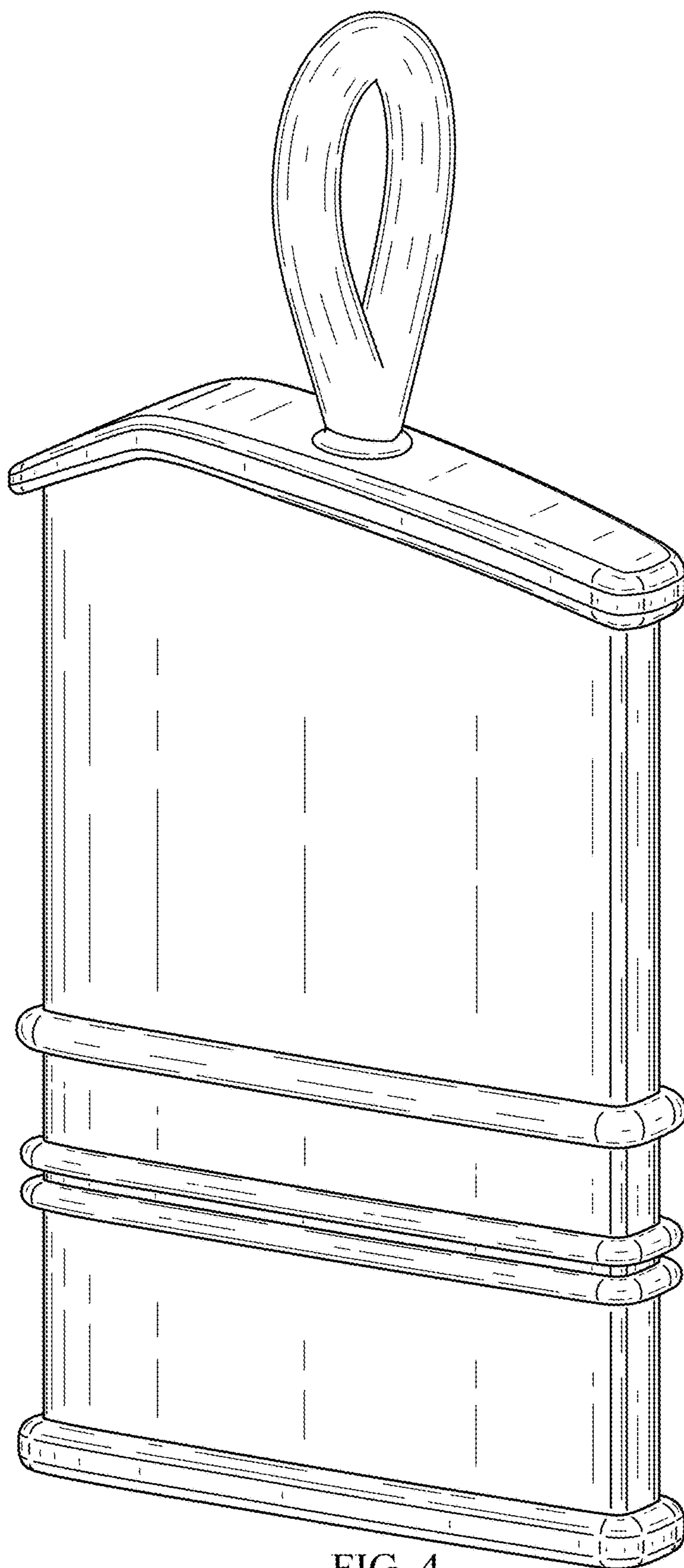


FIG. 4

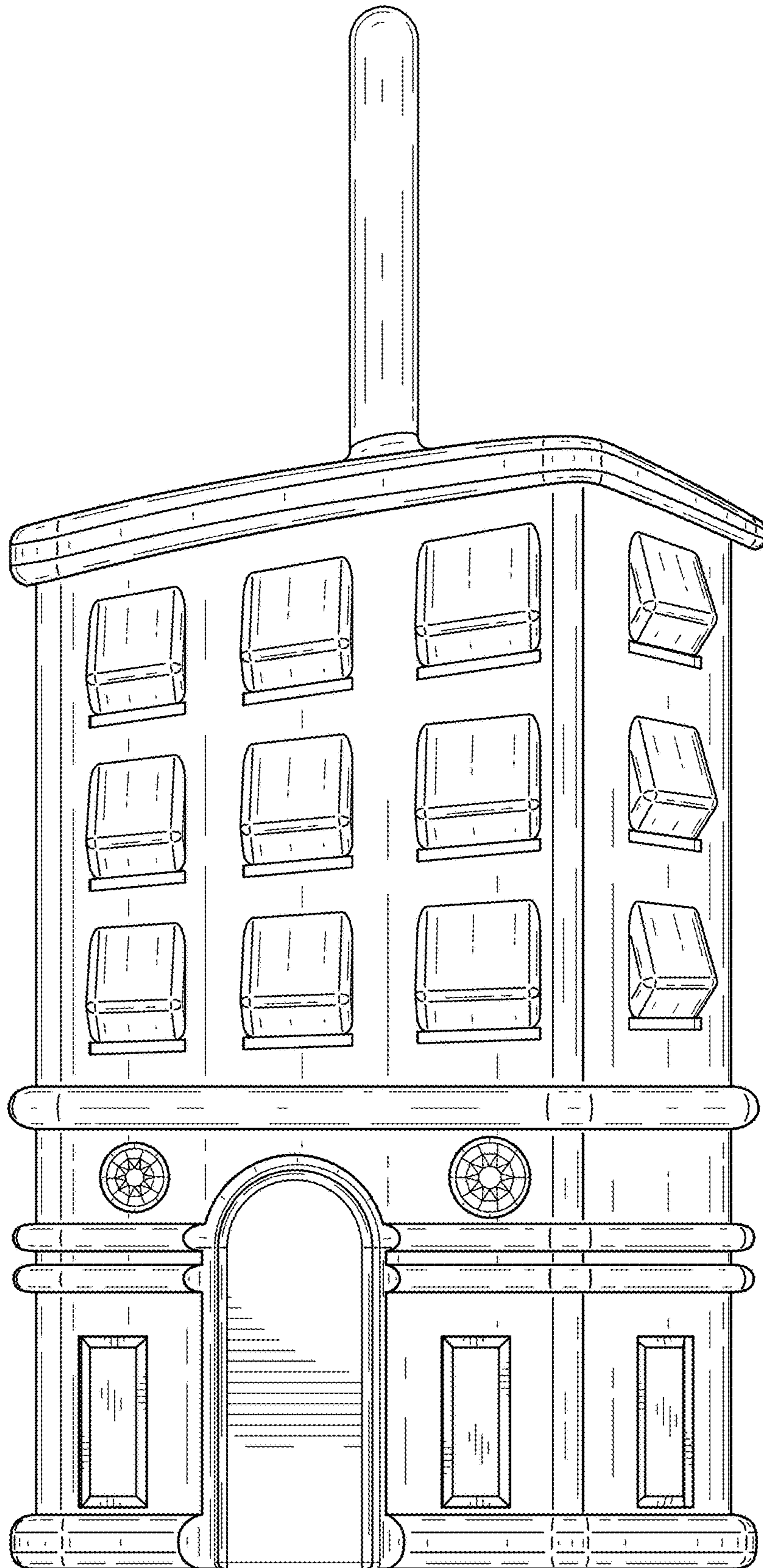


FIG. 5

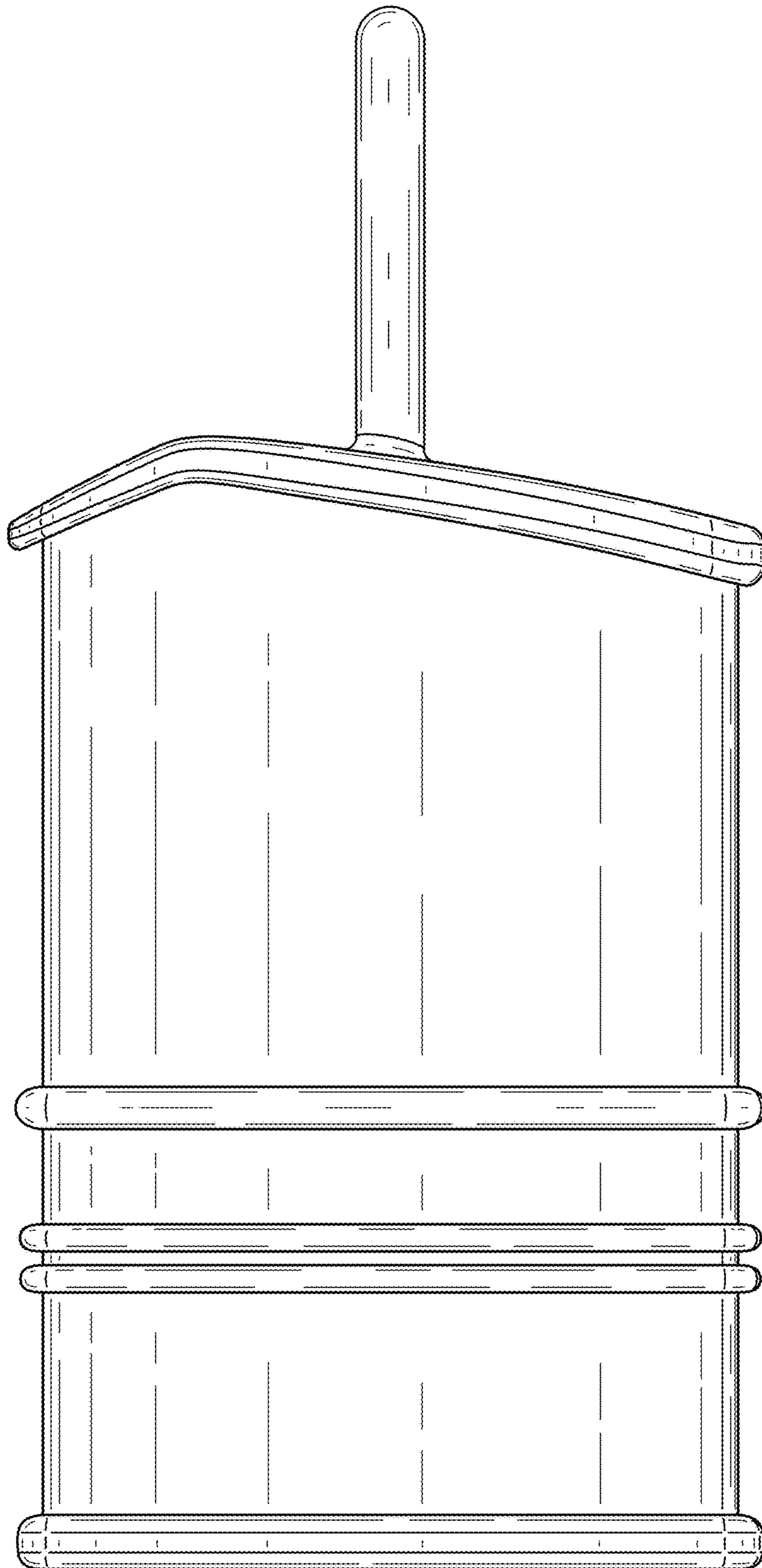


FIG. 6

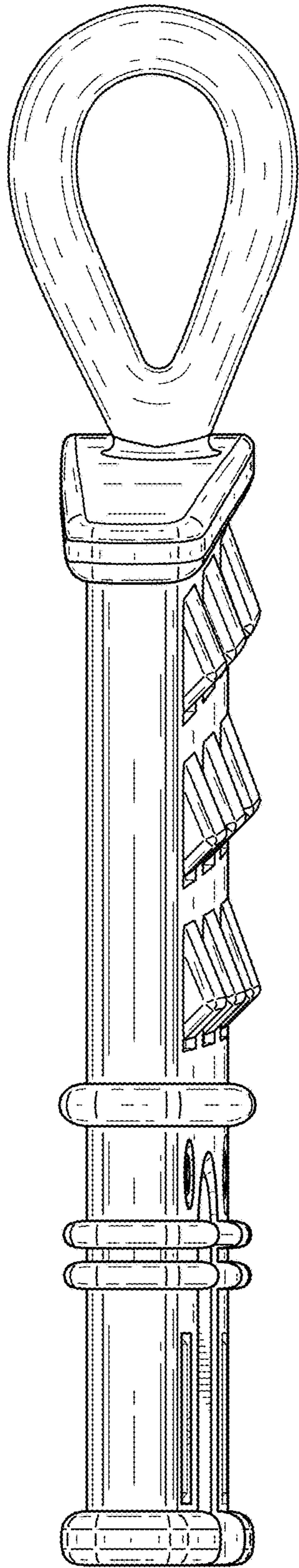


FIG. 7

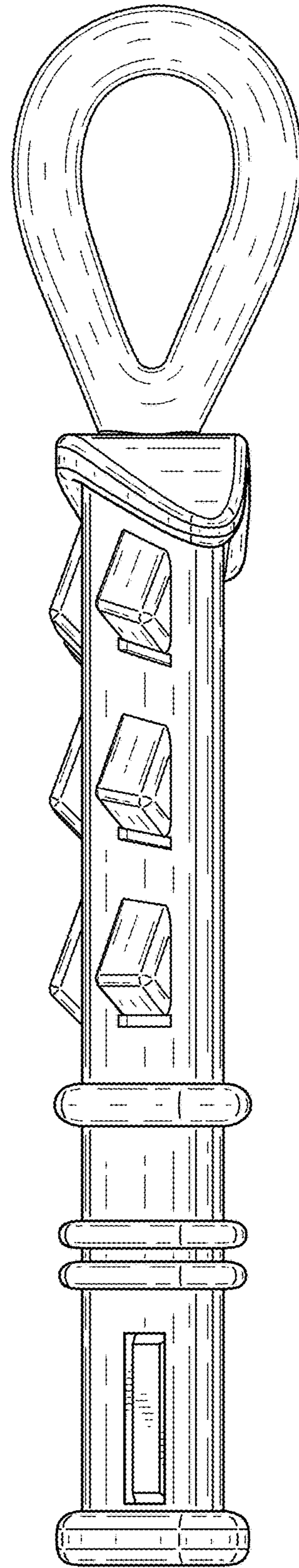


FIG. 8

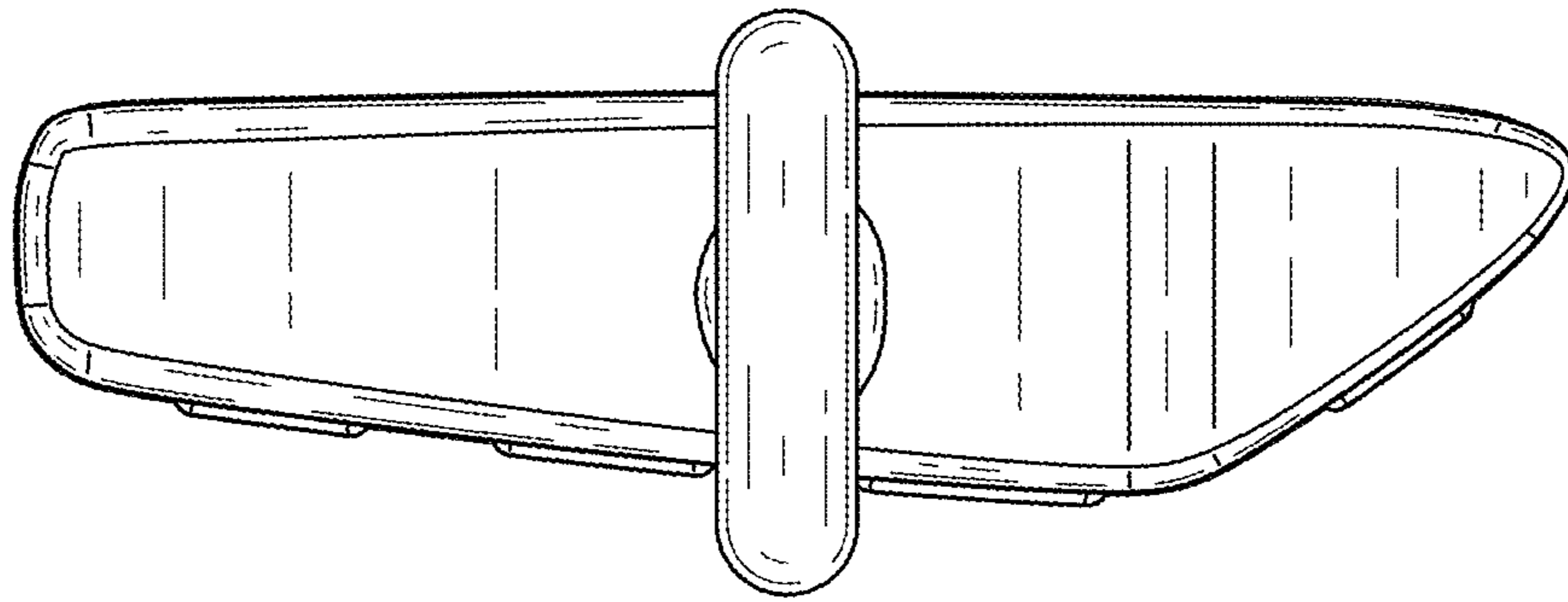


FIG. 9

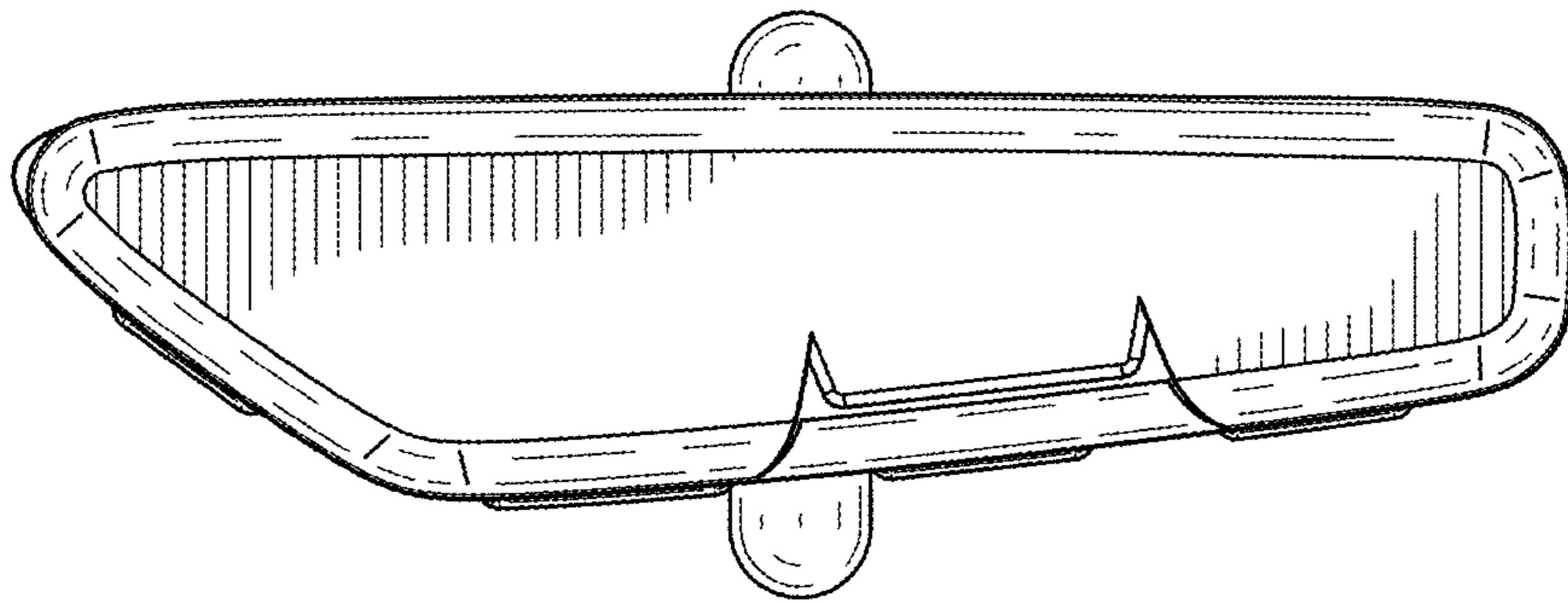


FIG. 10