



US00D808852S

(12) **United States Design Patent** (10) **Patent No.:** **US D808,852 S**
Riviere (45) **Date of Patent:** **** Jan. 30, 2018**

(54) **CHARM**

(56) **References Cited**

(71) Applicant: **HARRY WINSTON SA,**
Plan-les-Ouates (CH)
(72) Inventor: **Dominique Riviere,** New York, NY
(US)
(73) Assignee: **Harry Winston SA,** Plan-les-Ouates
(CH)

U.S. PATENT DOCUMENTS

D81,607 S *	7/1930	Vollman	D11/47
D146,679 S *	4/1947	Pearsall	D11/50
D719,050 S *	12/2014	Yatsugi-Kang	D11/79
D729,111 S *	5/2015	Yatsugi-Kang	D11/81
D780,043 S *	2/2017	Yatsugi-Kang	D11/79

(**) Term: **15 Years**

(21) Appl. No.: **29/597,855**

(22) Filed: **Mar. 21, 2017**

(30) **Foreign Application Priority Data**

Sep. 21, 2016 (WO) DM/092626

(51) **LOC (11) Cl.** **11-01**

(52) **U.S. Cl.**
USPC **D11/79**

(58) **Field of Classification Search**
USPC D11/1, 2, 40-44, 79-86, 70, 47, 48, 69,
D11/49, 50, 53, 57, 59, 61, 66, 67, 75,
D11/76, 77, 95, 97, 98, 99, 100, 101,
D11/105, 106, 121, 125, 127, 128, 91, 92,
D11/111, 110, 7, 8
CPC .. A44C 1/00; A44C 3/00; A44C 3/001; A44C
3/002; A44C 3/004; A44C 3/005; A44C
3/007; A44C 3/008; A44C 7/00; A44C
7/001; A44C 7/002; A44C 7/003; A44C
7/004; A44C 21/00; A44C 23/00; A44C
25/00; A44C 25/001; A44C 25/002; A44C
25/004; A44C 25/005; A44C 25/007;
A44C 25/008; A44C 17/02; A44C
17/0208

See application file for complete search history.

OTHER PUBLICATIONS

[Online] https://img0.etsystatic.com/143/0/7923075/il_340x270.1087920244_t0h1.jpg. Retrieved Oct. 16, 2017. (Year: 2017).*
[Online] https://img1.etsystatic.com/111/0/8924976/il_fullxfull.899363621_uiek.jpg. Retrieved Oct. 16, 2017. (Year: 2017).*

* cited by examiner

Primary Examiner — Melanie Pellegrini
(74) *Attorney, Agent, or Firm* — Blank Rome LLP

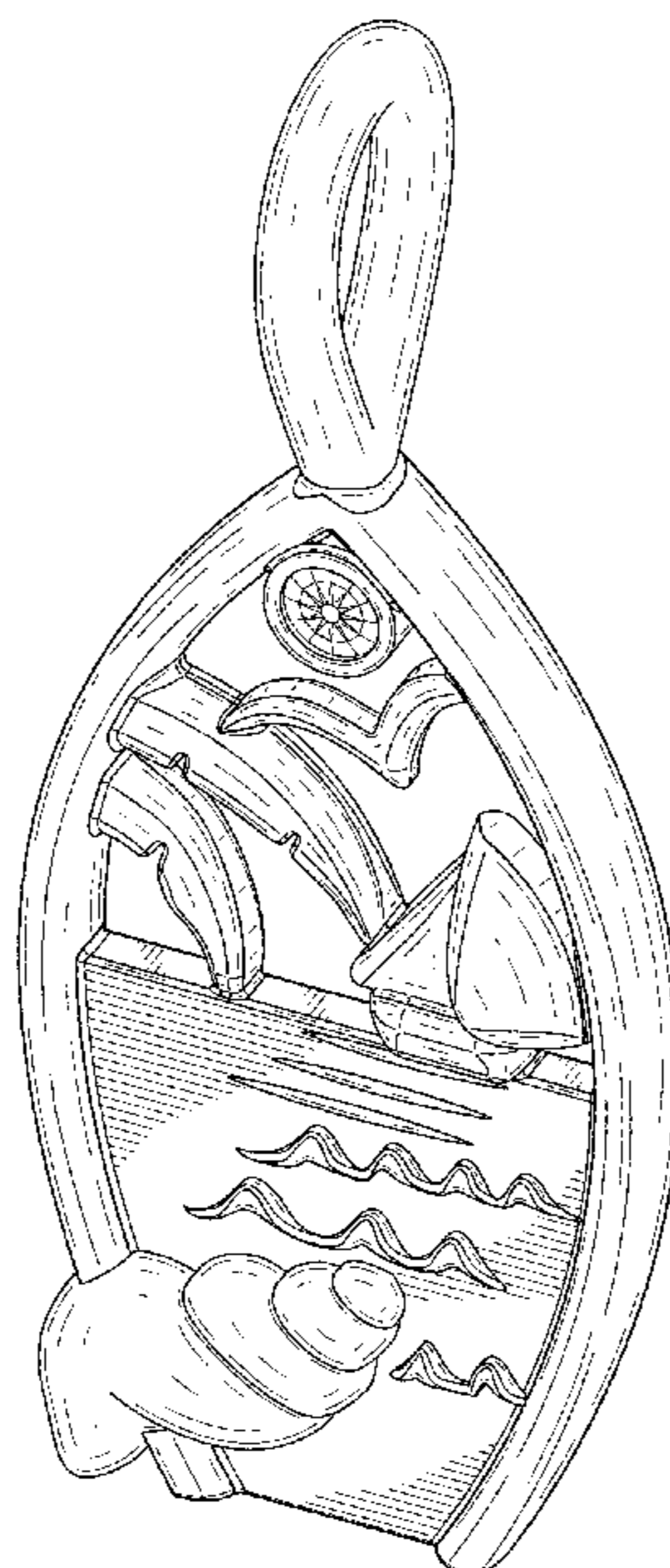
(57) **CLAIM**

The ornamental design for a charm, as shown.

DESCRIPTION

FIG. 1 is a front right perspective view of a charm showing my new design;
FIG. 2 is a front left perspective view thereof;
FIG. 3 is a rear right perspective view thereof;
FIG. 4 is a rear left perspective view thereof;
FIG. 5 is a front view thereof;
FIG. 6 is a rear view thereof;
FIG. 7 is a left side view thereof;
FIG. 8 is a right side view thereof;
FIG. 9 is a top view thereof; and,
FIG. 10 is a bottom view thereof.

1 Claim, 8 Drawing Sheets



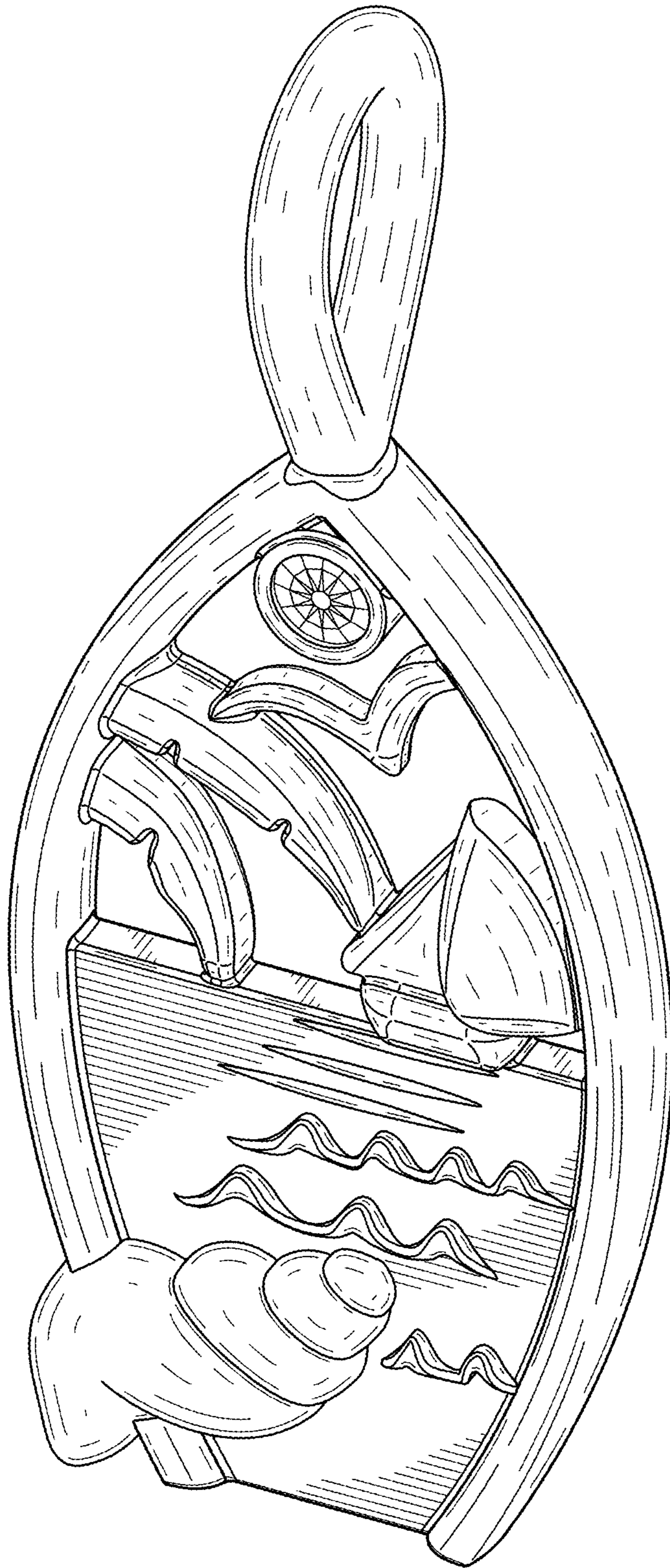


FIG. 1

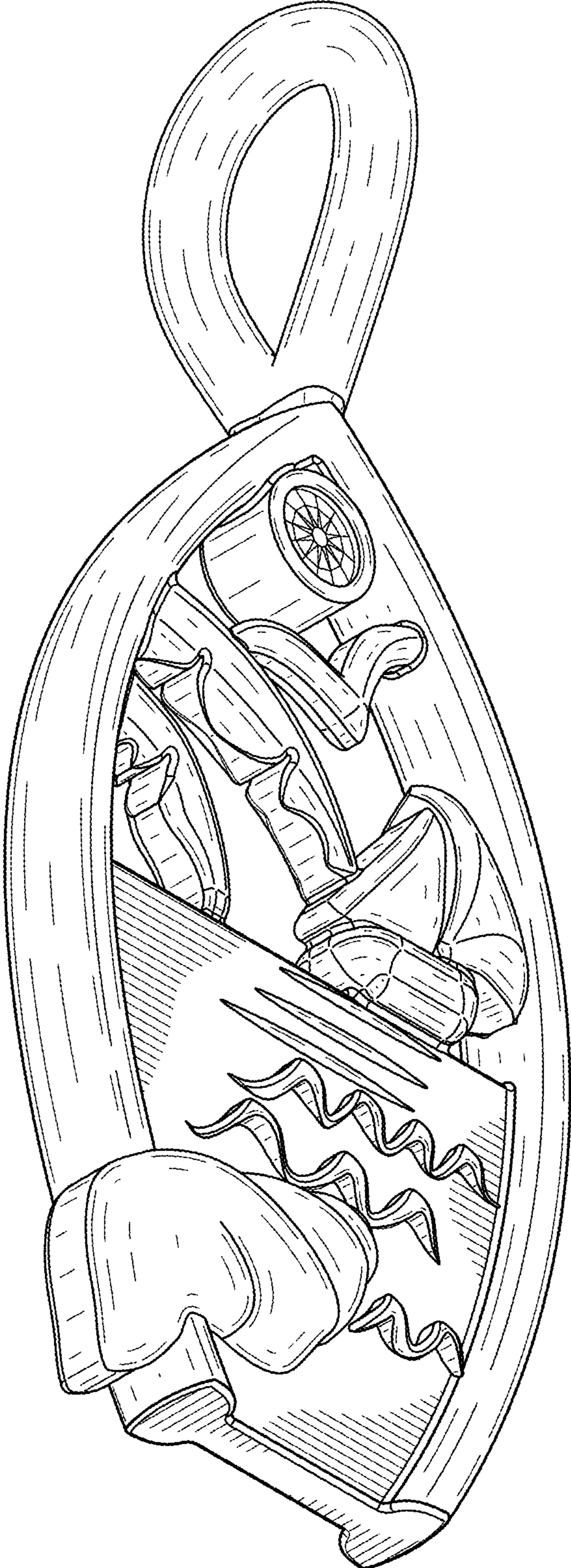


FIG. 2

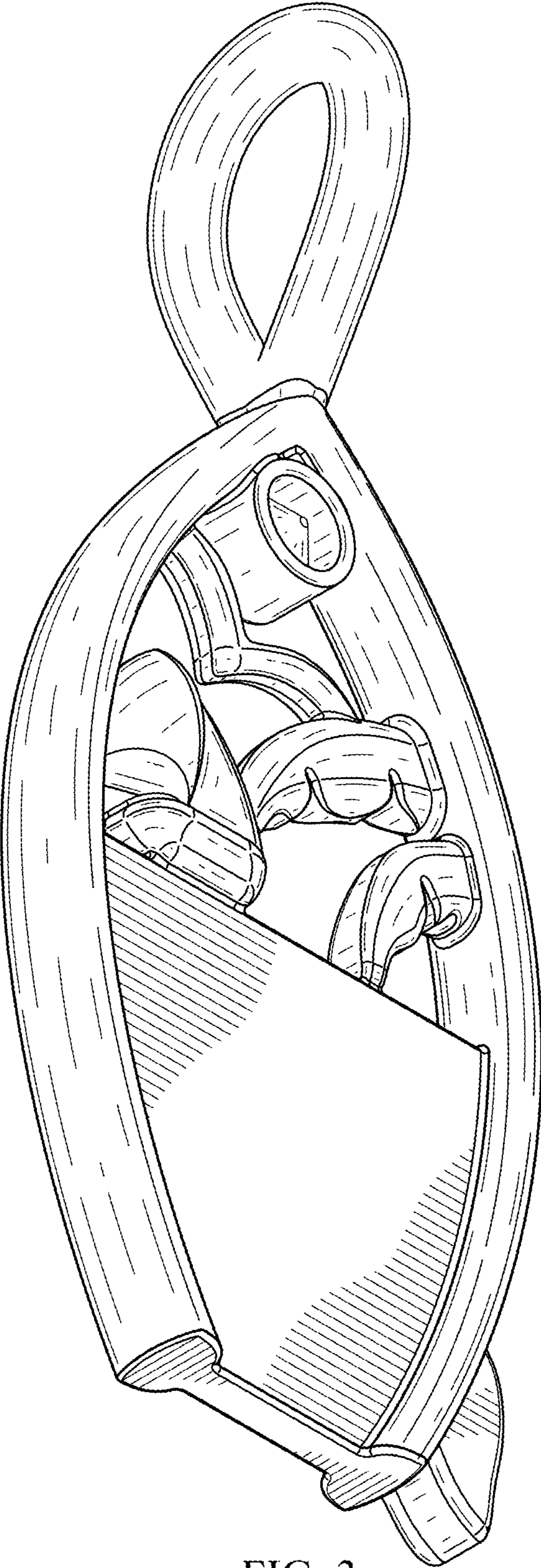


FIG. 3

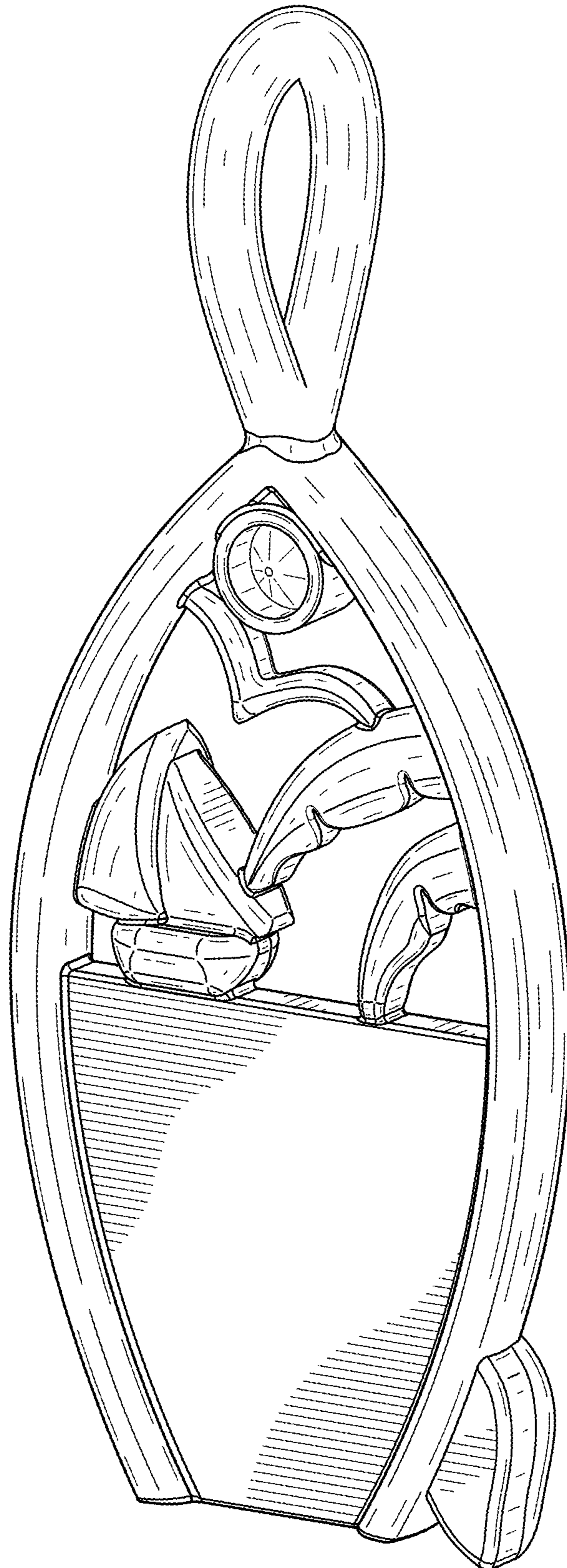


FIG. 4

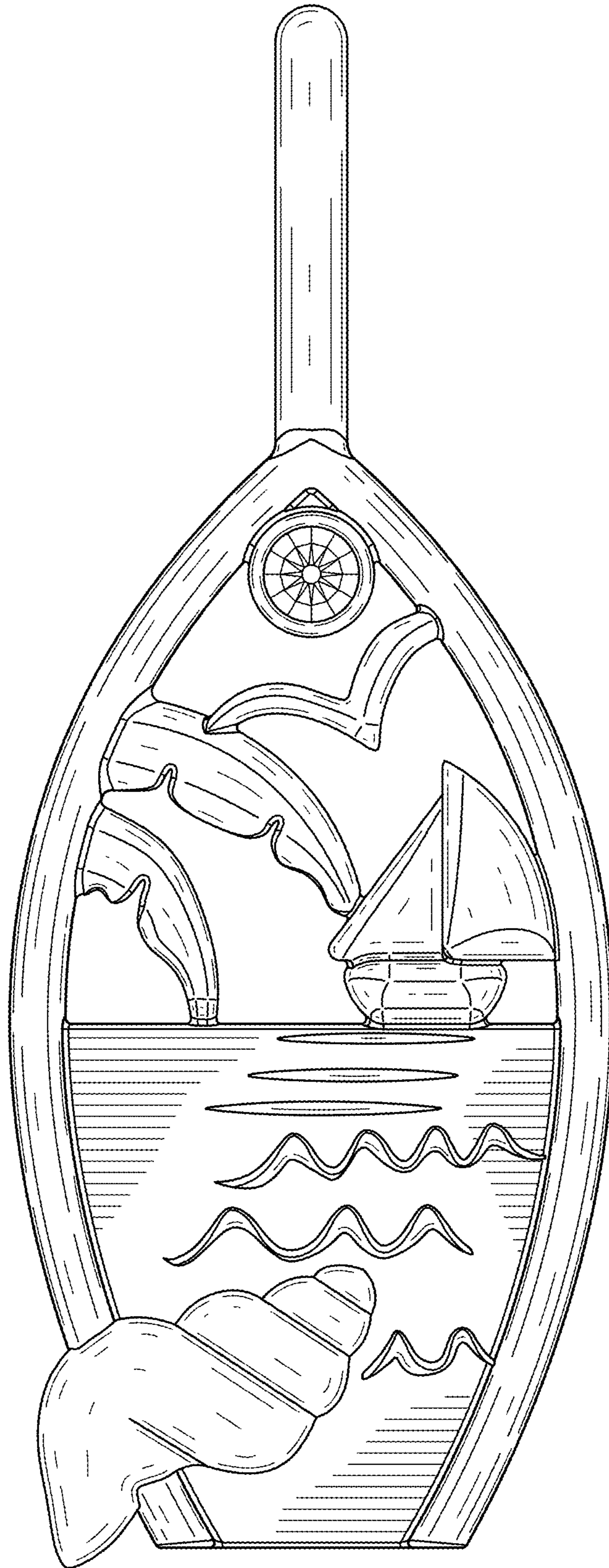


FIG. 5

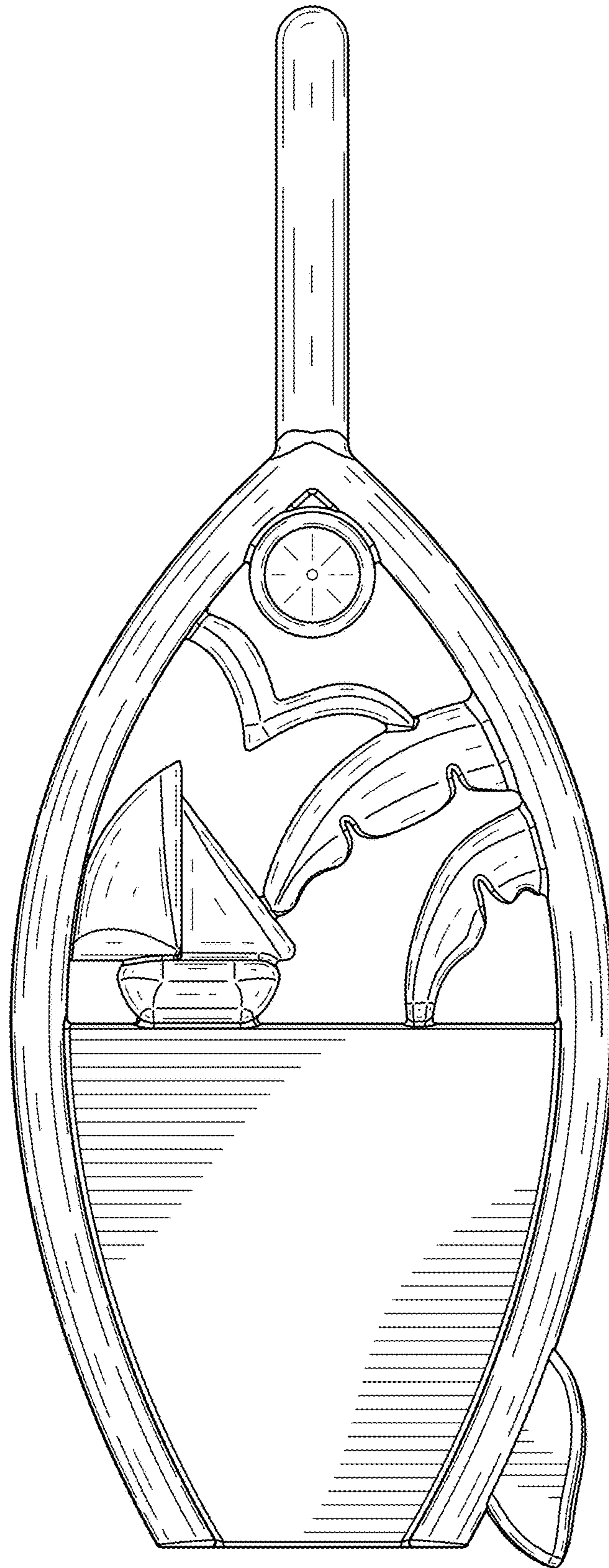


FIG. 6

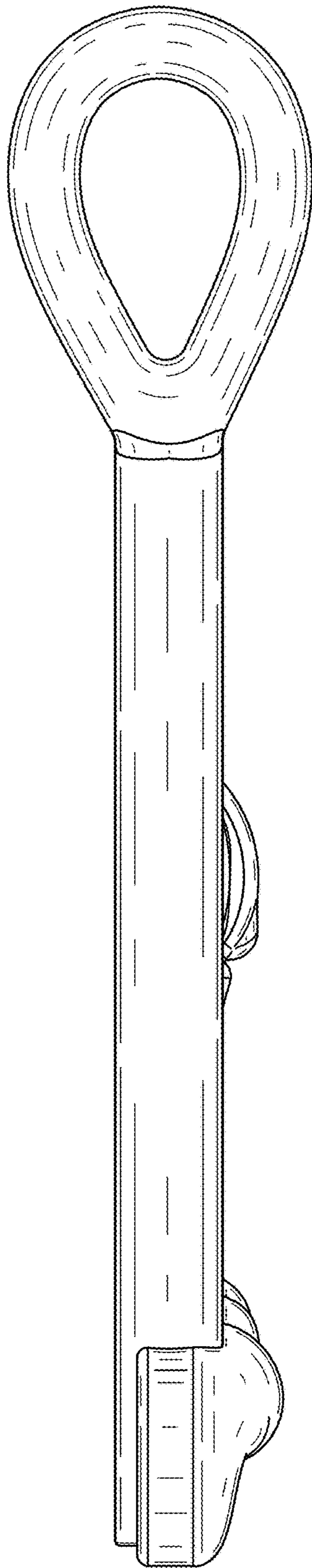


FIG. 7

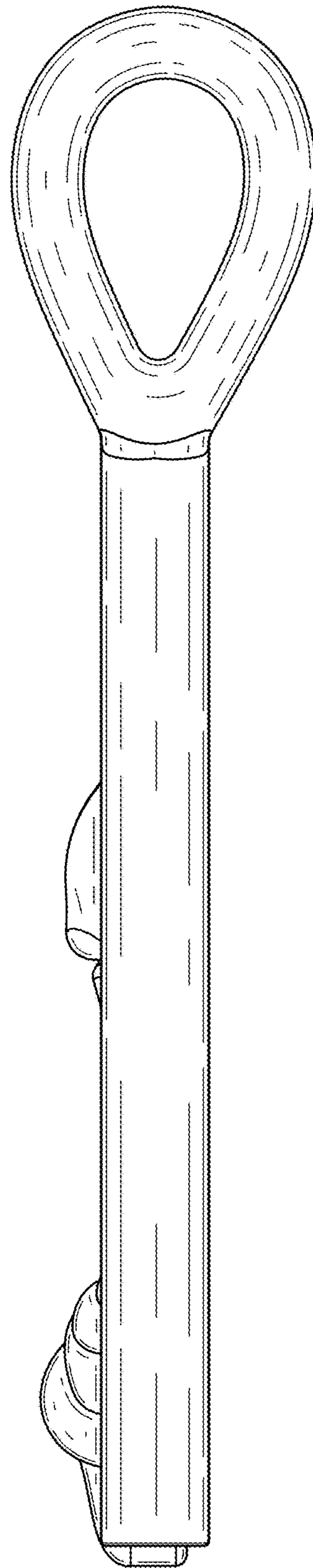


FIG. 8

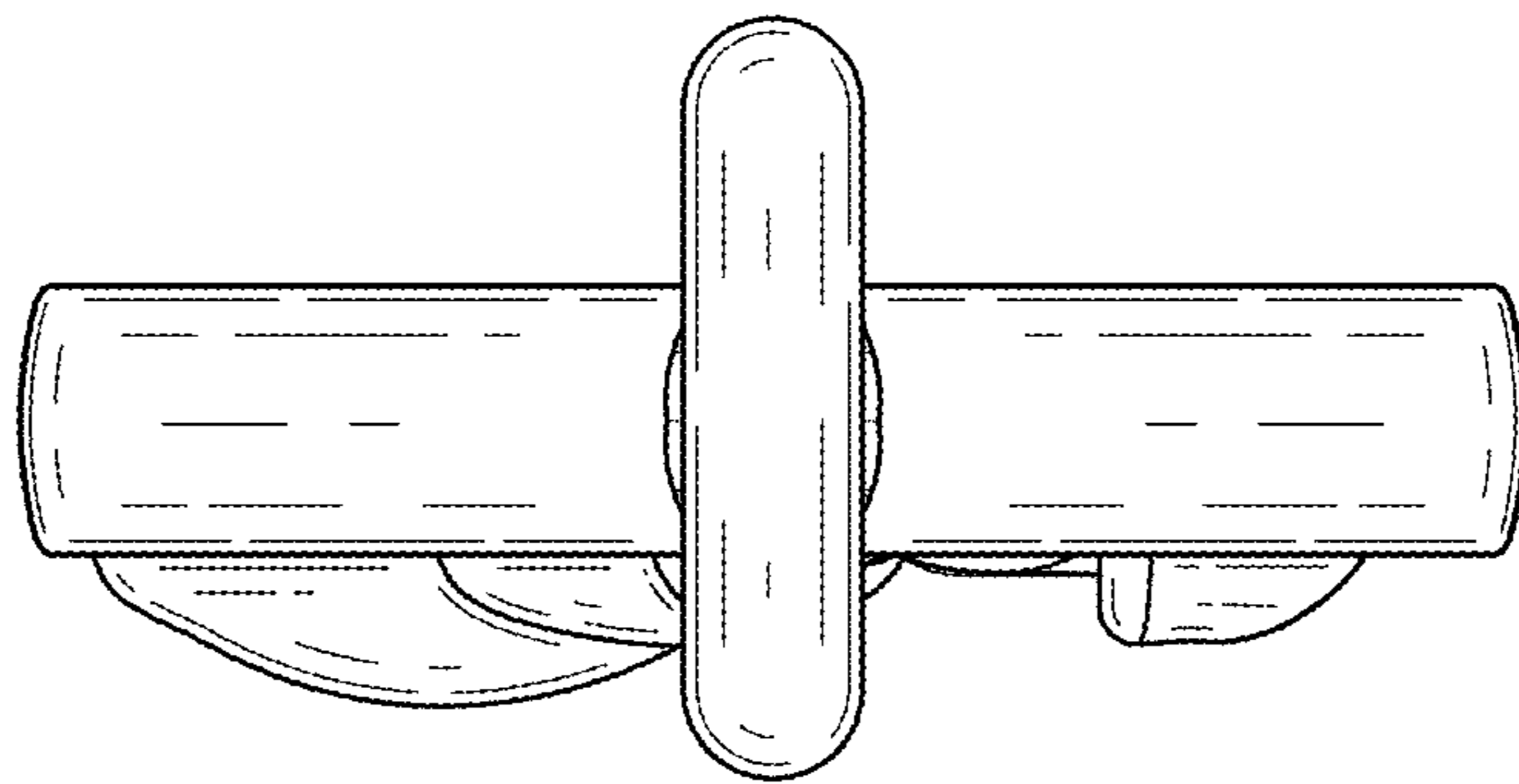


FIG. 9

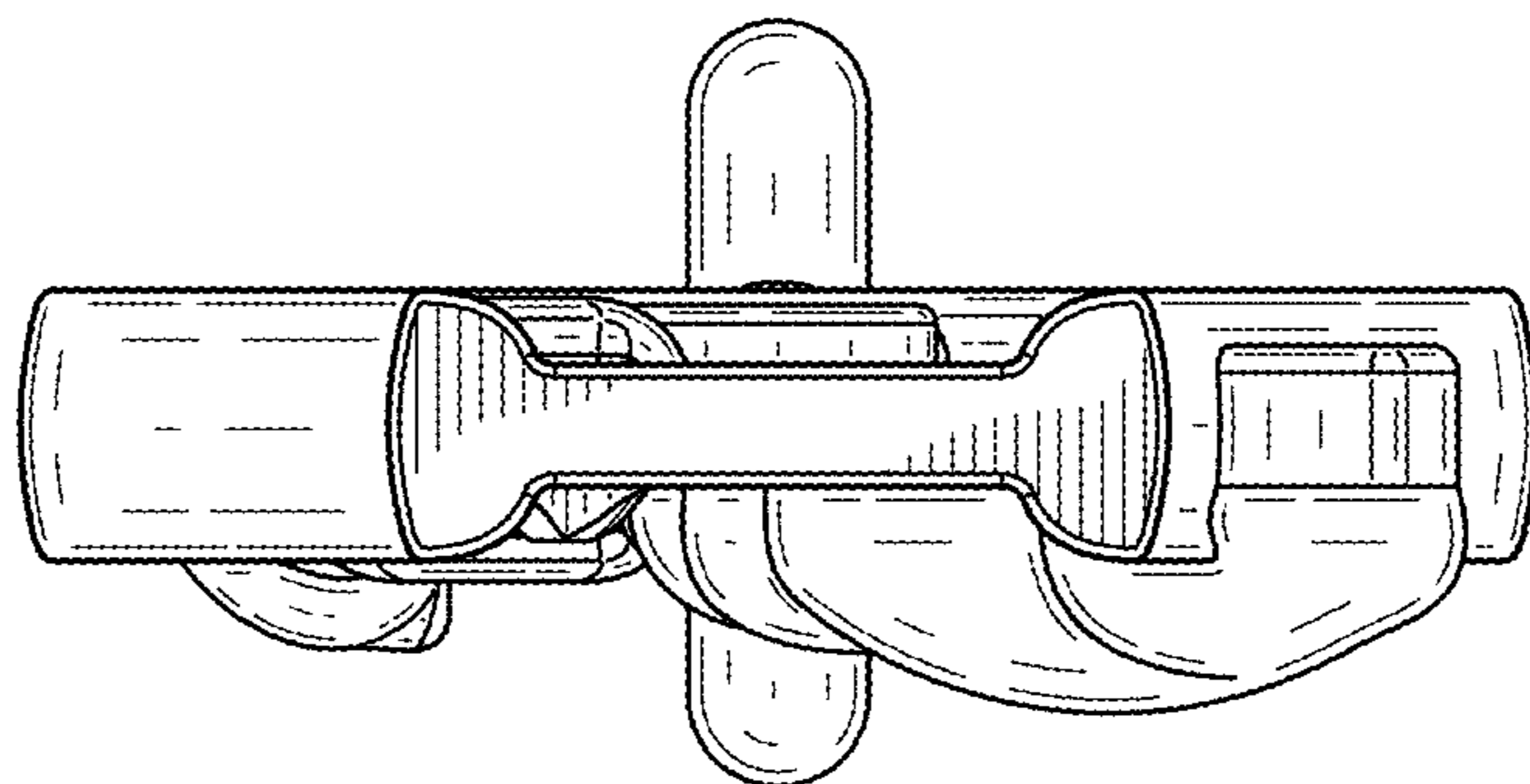


FIG. 10