



US00D808851S

(12) **United States Design Patent**
Kwon

(10) **Patent No.:** **US D808,851 S**

(45) **Date of Patent:** **** Jan. 30, 2018**

(54) **EARRING**

(71) Applicant: **HARRY WINSTON SA,**
Plan-les-Ouates (CH)

(72) Inventor: **Chaeree Kwon,** Brooklyn, NY (US)

(73) Assignee: **Harry Winston SA,** Plan-les-Ouates
(CH)

(**) Term: **15 Years**

(21) Appl. No.: **29/592,038**

(22) Filed: **Jan. 26, 2017**

(30) **Foreign Application Priority Data**

Jul. 26, 2016 (WO) DM/091 842

(51) **LOC (11) Cl.** **11-01**

(52) **U.S. Cl.**
USPC **D11/40**

(58) **Field of Classification Search**
USPC D11/1, 2, 7, 8, 40-48, 79-86, 87, 88, 91,
D11/92

CPC A44C 7/00; A44C 7/002; A44C 7/003;
A44C 7/004; A44C 7/005; A44C 7/006;
A44C 7/007; A44C 7/008; A44C 7/009;
A44C 17/02; A44C 17/0208; A44C
17/0216; A44C 17/0255; A44C 17/0233;
A44C 17/0241; A44C 17/025; A44C
17/0258; A44C 17/0266; A44C 25/00;
A44C 25/001; A44C 25/007
See application file for complete search history.

(56) **References Cited**

U.S. PATENT DOCUMENTS

D76,732 S * 10/1928 Bryant D11/116
D83,159 S * 1/1931 Hill D11/100

D85,763 S * 12/1931 Pollacks D11/105
D246,357 S * 11/1977 Durante D11/40
D260,744 S * 9/1981 Barr D11/43
D642,088 S * 7/2011 Kothari D11/40
D720,647 S * 1/2015 Kwon D11/43
D726,590 S * 4/2015 Riviere D11/222
D729,690 S * 5/2015 Riviere D11/222
D761,158 S * 7/2016 Riviere D11/222
D766,745 S * 9/2016 Abdourahim D10/30
D792,800 S * 7/2017 Kwon D11/34

OTHER PUBLICATIONS

[Online] <https://i.pinimg.com/736x/b5/ed/15/b5ed15234fd418d73fd413ec3b6c832b--harry-winston-diamond-earrings.jpg>. Retrieved Oct. 28, 2017.*

* cited by examiner

Primary Examiner — Melanie Pellegrini
(74) *Attorney, Agent, or Firm* — Blank Rome LLP

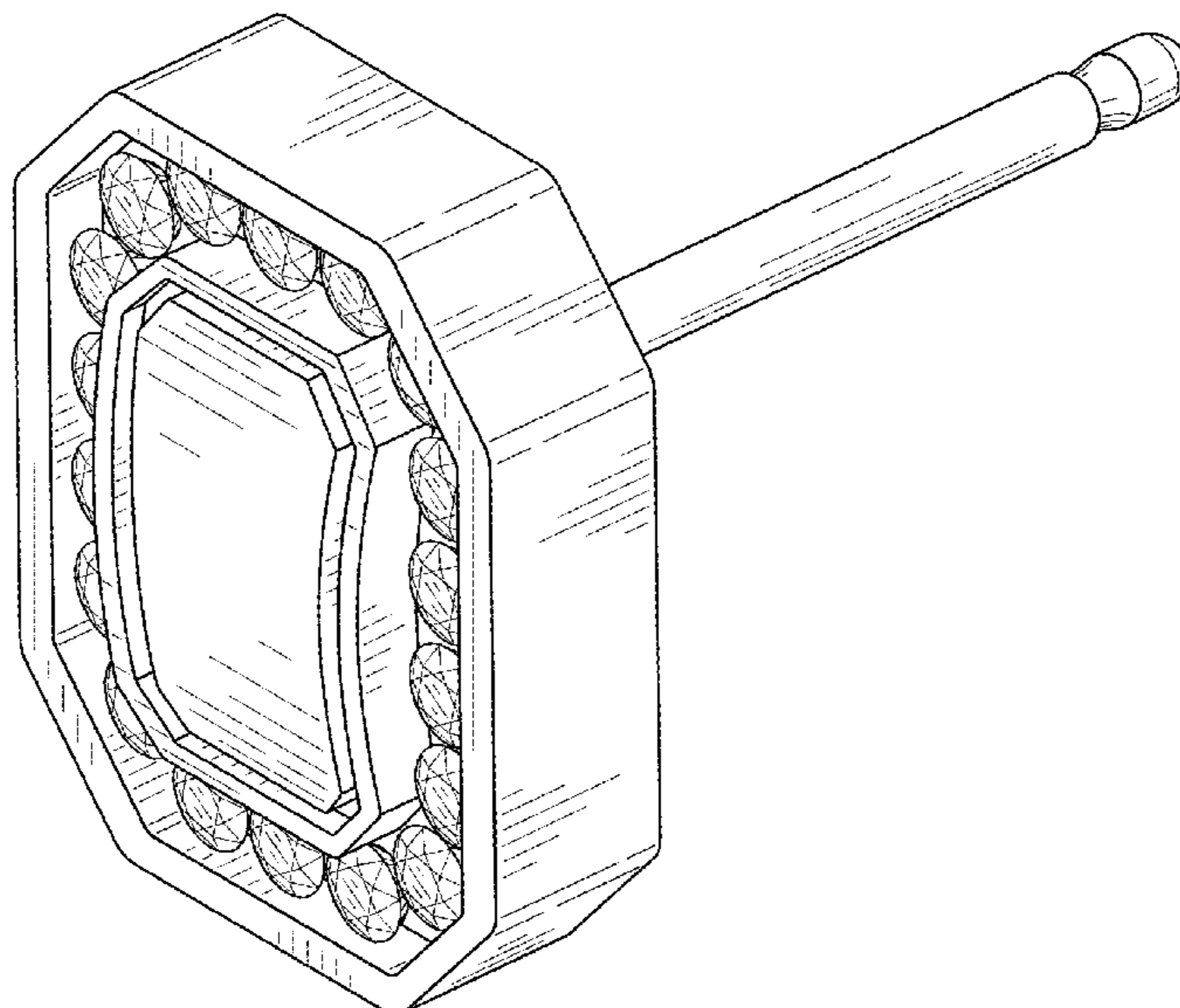
(57) **CLAIM**

The ornamental design for an earring, as shown.

DESCRIPTION

FIG. 1 is a front right perspective view of an earring showing my new design;
FIG. 2 is a rear left perspective view thereof;
FIG. 3 is a front view thereof;
FIG. 4 is a rear view thereof;
FIG. 5 is a left side view thereof;
FIG. 6 is a right side view thereof;
FIG. 7 is a top view thereof; and,
FIG. 8 is a bottom view thereof.

1 Claim, 5 Drawing Sheets



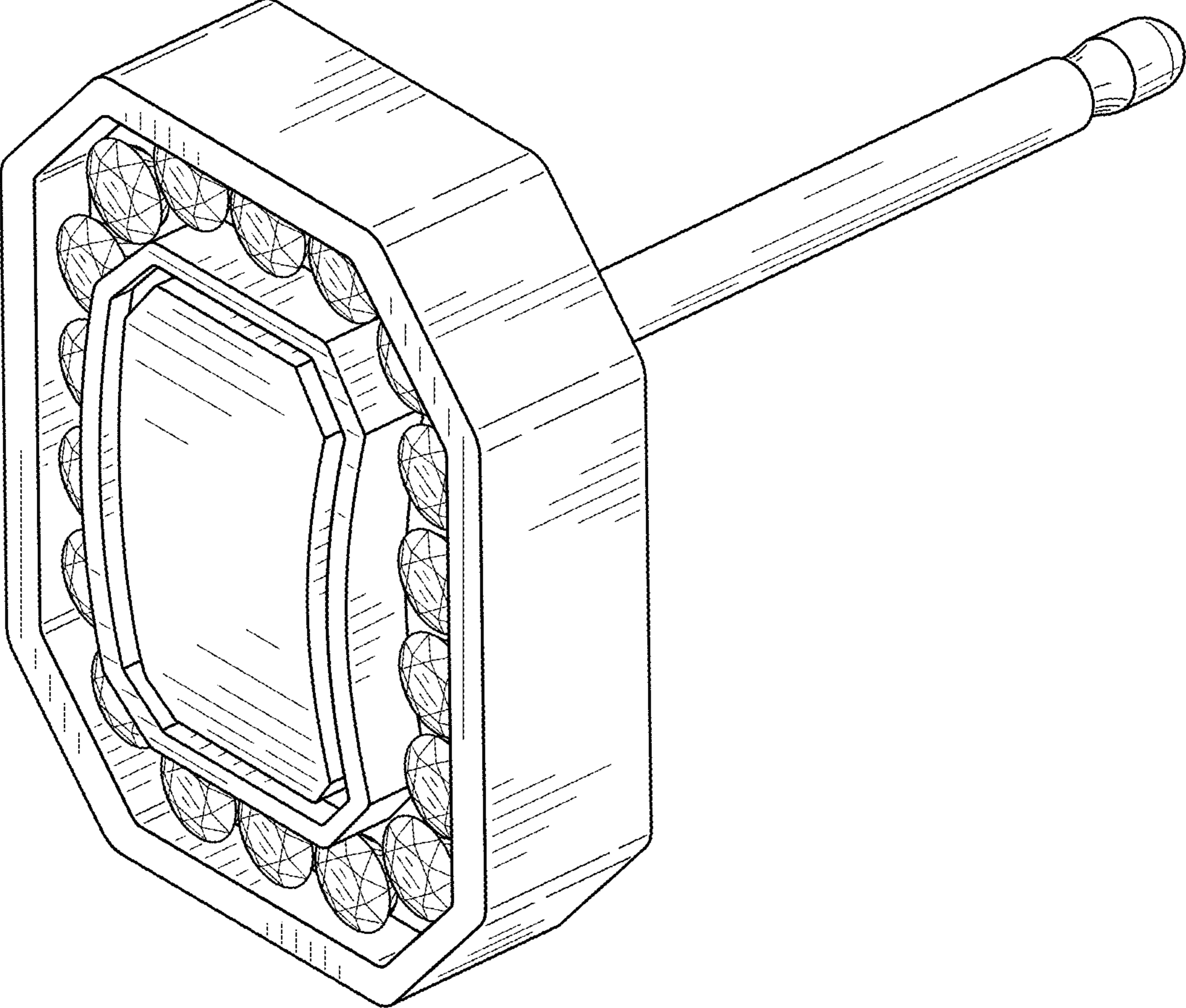


FIG. 1

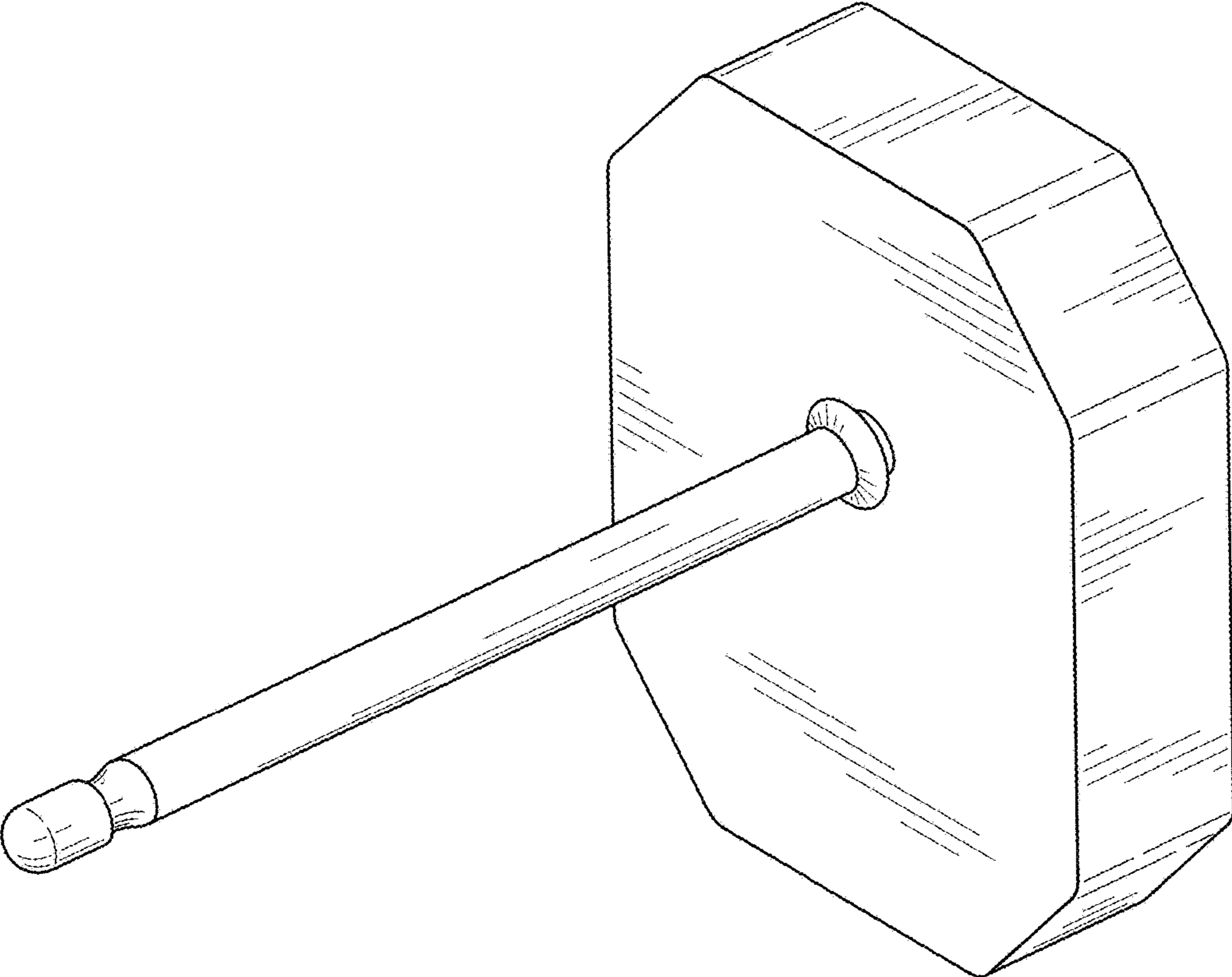


FIG. 2

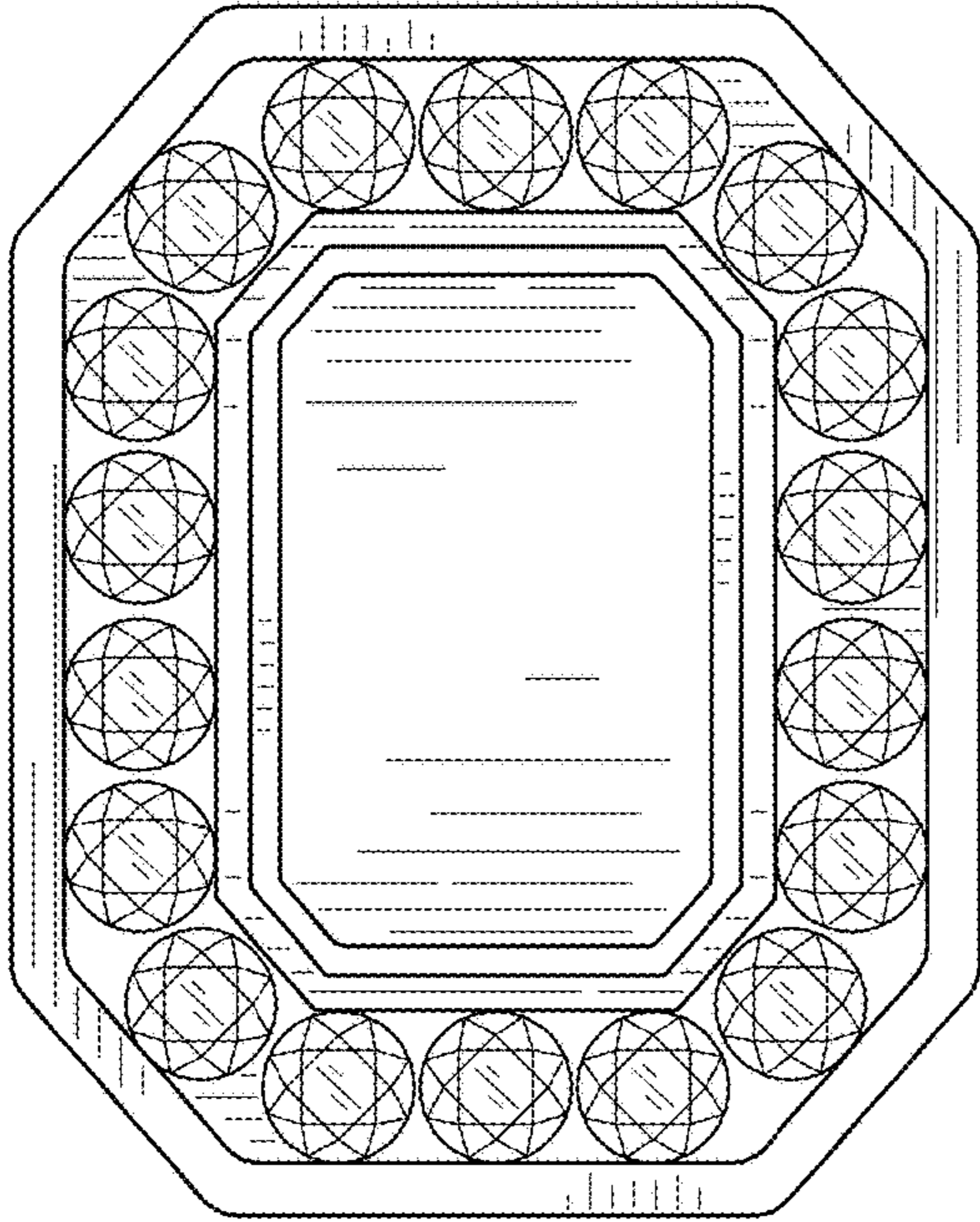


FIG. 3

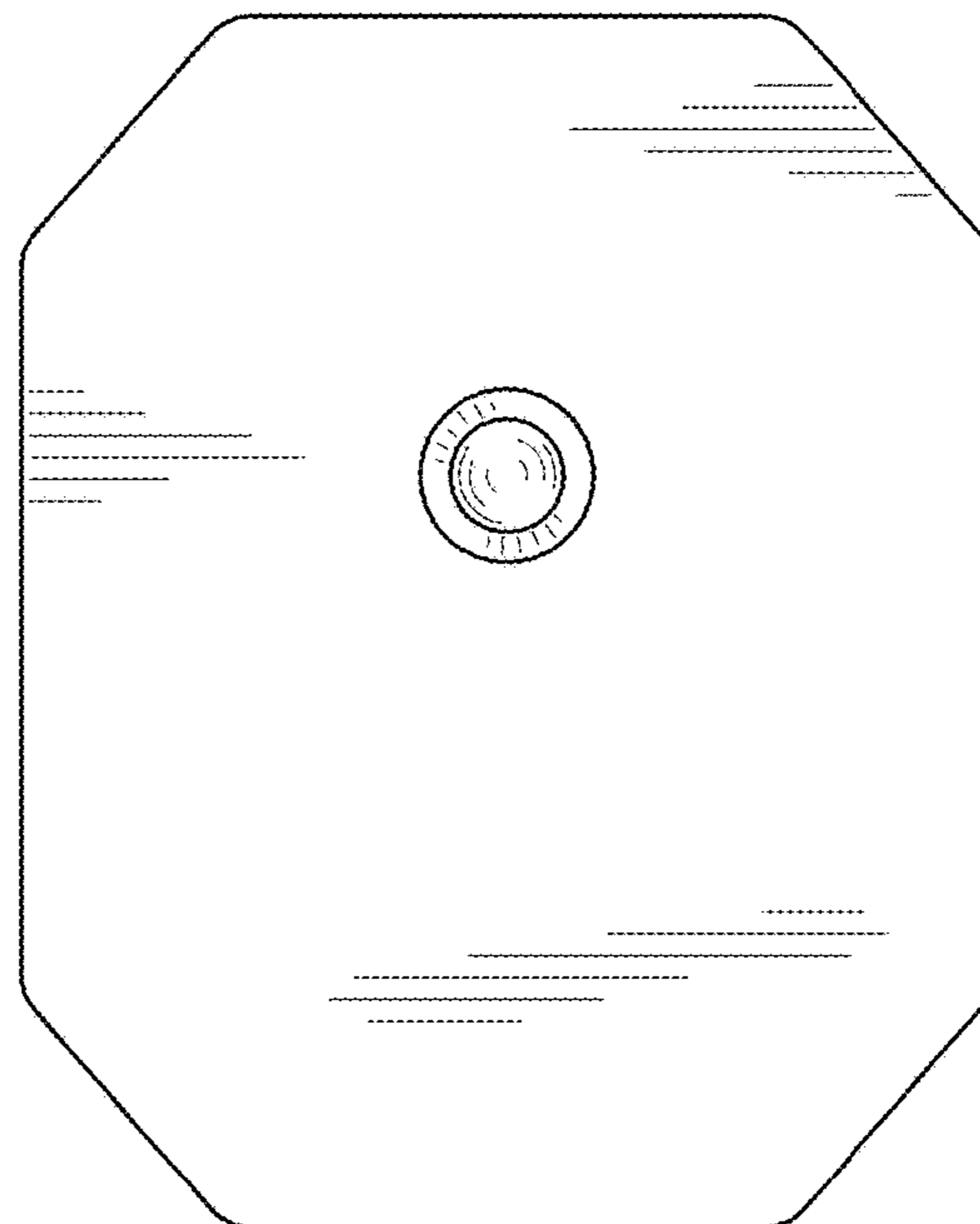


FIG. 4

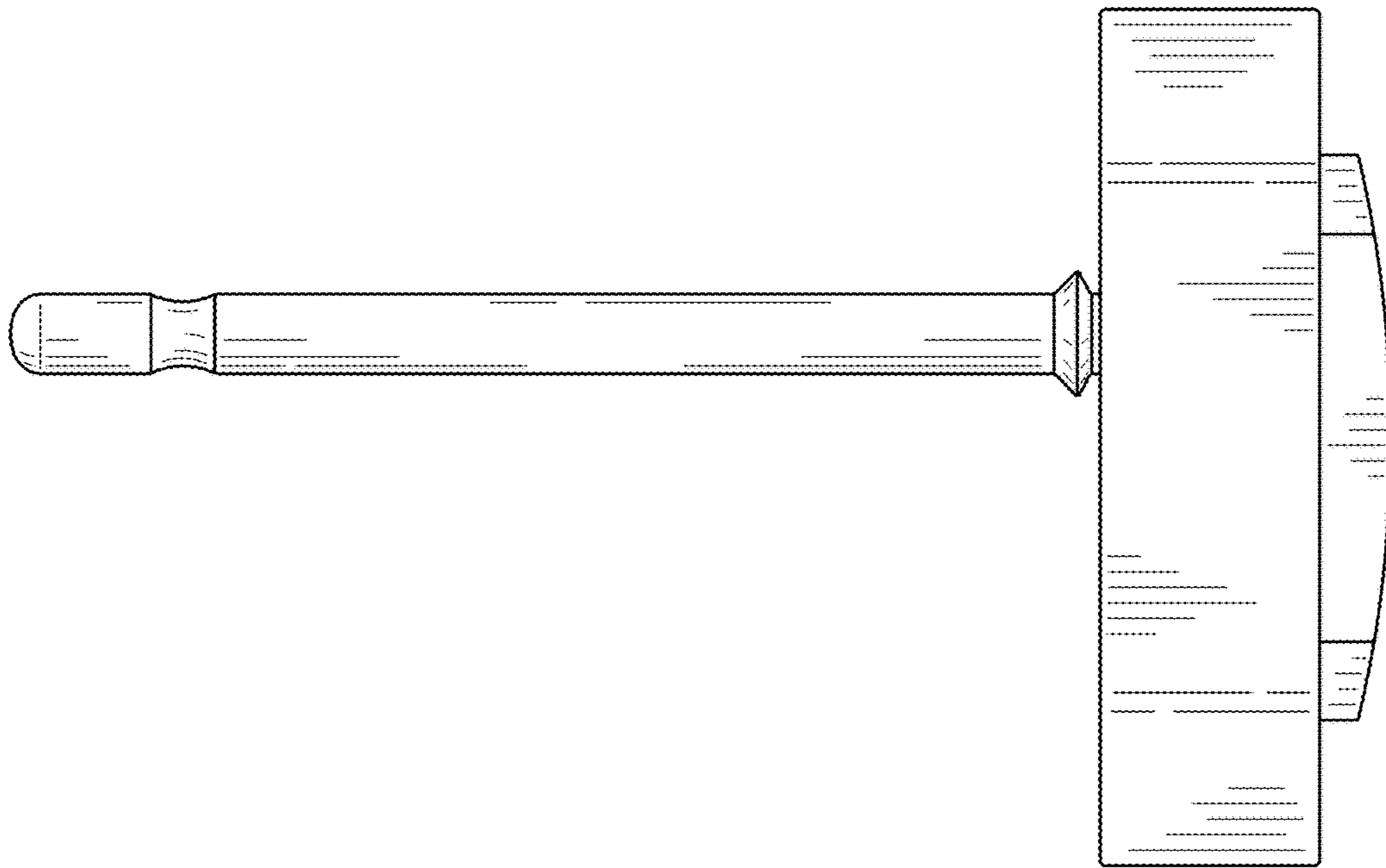


FIG. 5

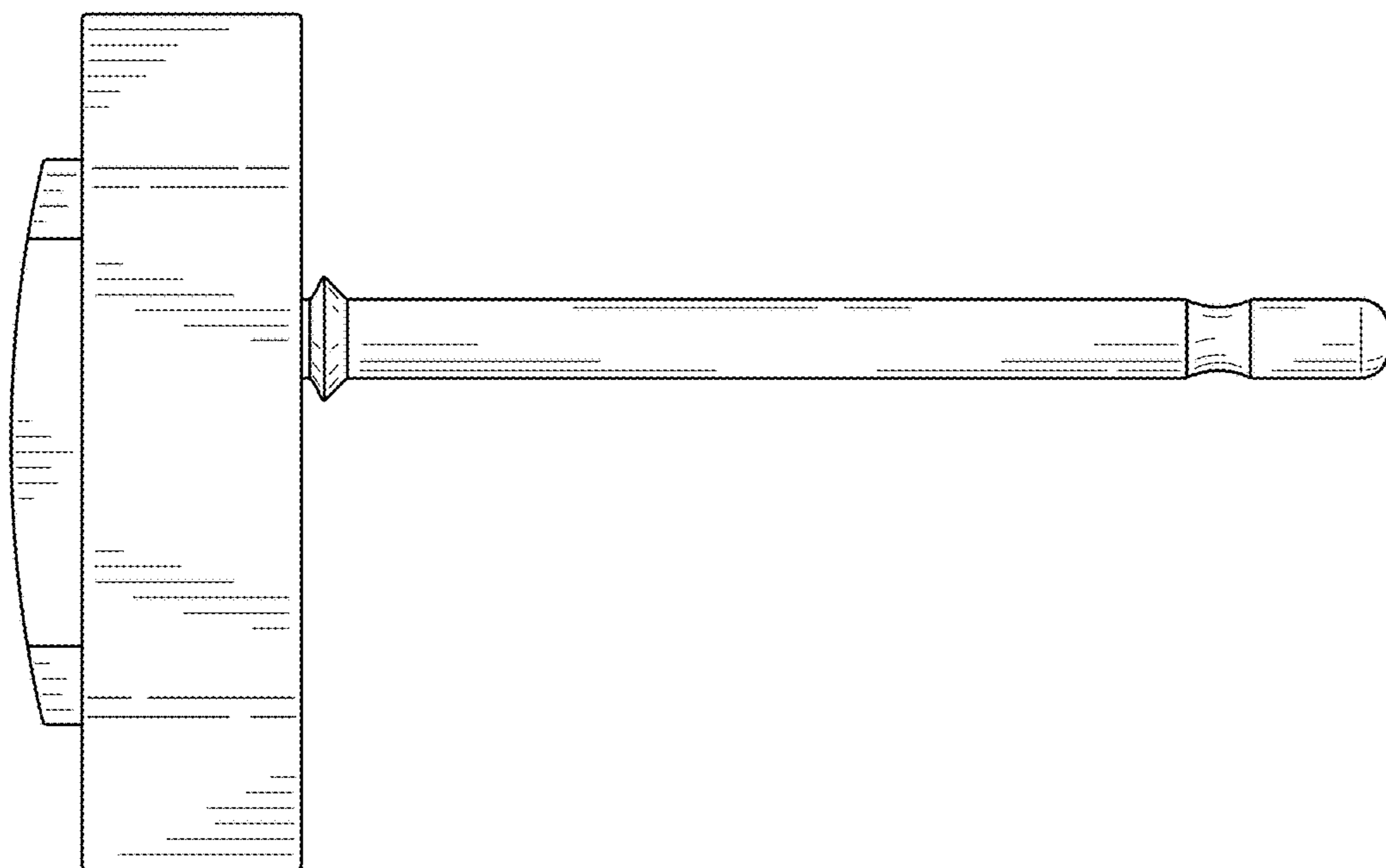


FIG. 6

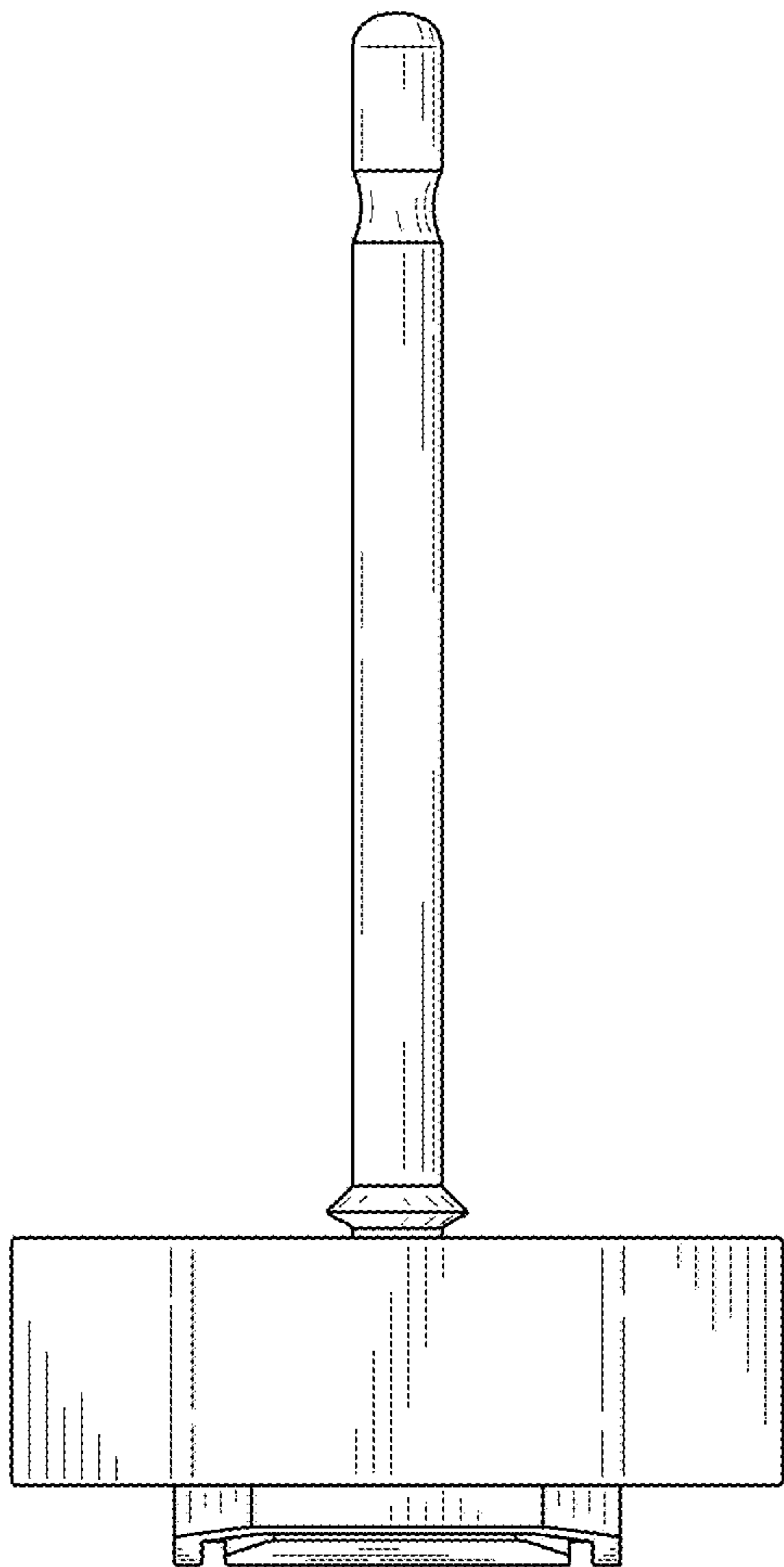


FIG. 7

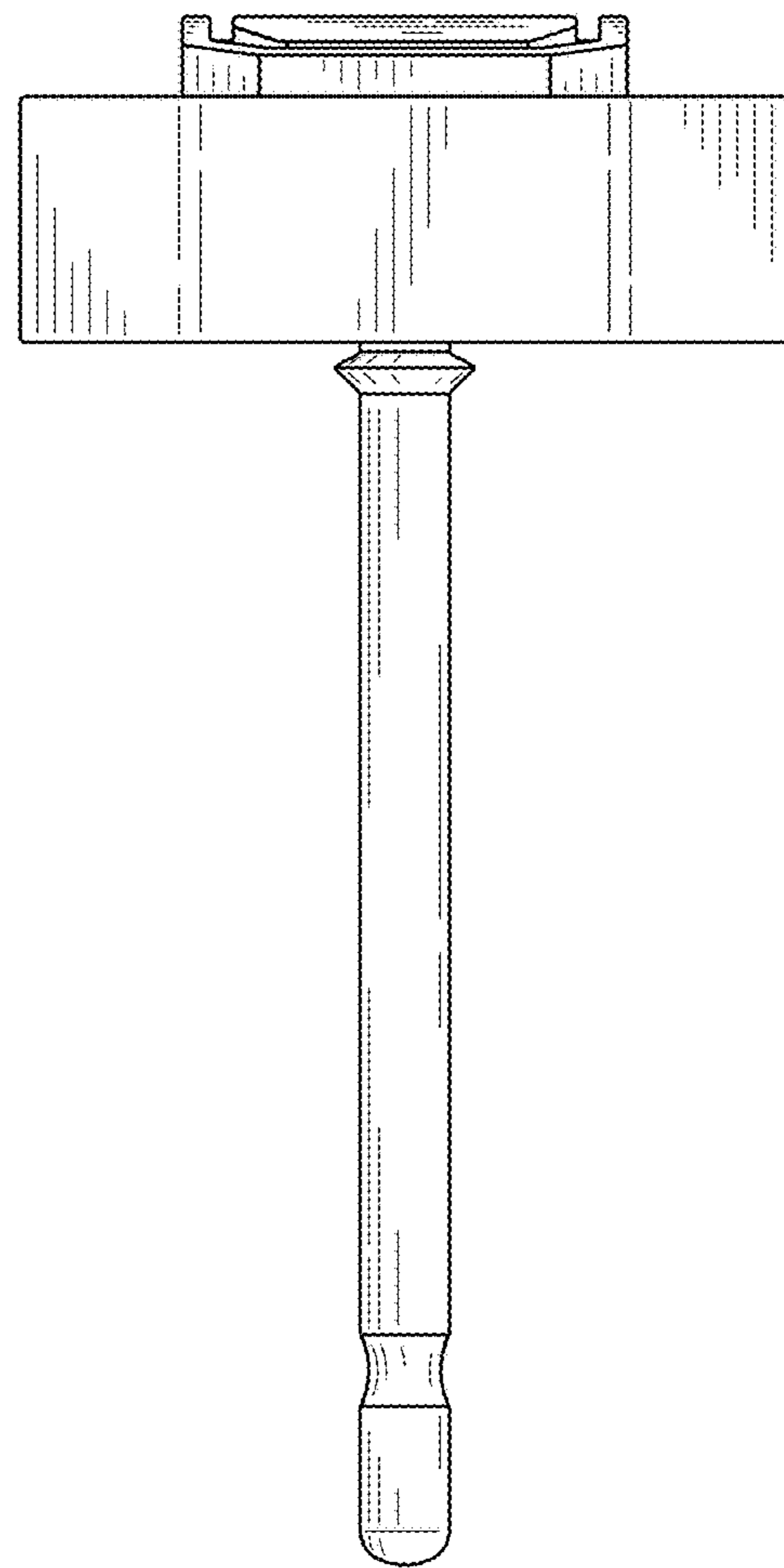


FIG. 8