



US00D808844S

(12) **United States Design Patent**  
**Lee-Hearn**

(10) **Patent No.:** **US D808,844 S**  
(45) **Date of Patent:** **\*\* Jan. 30, 2018**

(54) **BRACELET**

25/00; A44C 25/001; A44C 25/002; A44C  
25/004; A44C 25/005; A44C 25/007

See application file for complete search history.

(71) Applicant: **Henri Bendel, LLC**, New York, NY  
(US)

(56) **References Cited**

(72) Inventor: **Hyun Young Lee-Hearn**, Haverstraw,  
NY (US)

U.S. PATENT DOCUMENTS

(73) Assignee: **Henri Bendel, LLC**, New York, NY  
(US)

2,871,592 A \* 2/1959 Polzin ..... G09F 3/005  
D11/3  
D225,763 S \* 1/1973 Baschmakoff ..... D11/4  
D351,117 S \* 10/1994 Pandel ..... D11/35  
D351,118 S \* 10/1994 Pandel ..... D11/35

(Continued)

(\*\*) Term: **15 Years**

OTHER PUBLICATIONS

(21) Appl. No.: **29/594,389**

Hermes, photographs of bracelet, commercially available at least as  
early as Jan. 9, 2017.

(22) Filed: **Feb. 17, 2017**

(Continued)

(51) **LOC (11) Cl.** ..... **11-01**

(52) **U.S. Cl.**

*Primary Examiner* — Cynthia Ramirez

*Assistant Examiner* — L. Martinez-Rivera

USPC ..... **D11/5**

(74) *Attorney, Agent, or Firm* — Andrus Intellectual  
Property Law, LLP

(58) **Field of Classification Search**

USPC ..... D11/1-40, 79-86, 93, 94; D10/31, 32;  
D14/344; D28/41

CPC ... A44C 5/0007; A44C 5/0015; A44C 5/0023;  
A44C 5/003; A44C 5/0038; A44C

5/0053; A44C 5/0061; A44C 5/0069;  
A44C 5/0084; A44C 5/0092; A44C 5/02;

A44C 5/022; A44C 5/025; A44C 5/04;  
A44C 5/10; A44C 5/102; A44C 5/105;

A44C 5/107; A44C 5/12; A44C 5/14;  
A44C 5/142; A44C 5/18; A44C 5/185;

A44C 5/20; A44C 5/22; A44C 5/2009;  
A44C 5/2023; A44C 9/00; A44C 9/0038;

A44C 9/0046; A44C 9/0069; A44C  
9/0084; A44C 9/02; A44C 17/00; A44C

17/003; A44C 17/007; A44C 17/02; A44C

(57) **CLAIM**

The ornamental design for a bracelet, as shown and  
described.

**DESCRIPTION**

FIG. 1 is a top front perspective view of a bracelet according  
to my new and ornamental design;

FIG. 2 is a top rear perspective view thereof;

FIG. 3 is a right side elevation view thereof;

FIG. 4 is a left side elevation view thereof;

FIG. 5 is a front elevation view thereof;

FIG. 6 is a rear elevation view thereof;

FIG. 7 is a top plan view thereof;

FIG. 8 is a bottom plan view thereof;

FIG. 9 is a bottom front perspective view thereof;

FIG. 10 is a bottom rear perspective view thereof;

FIG. 11 is an enlarged view of the area noted in FIG. 2; and,

(Continued)

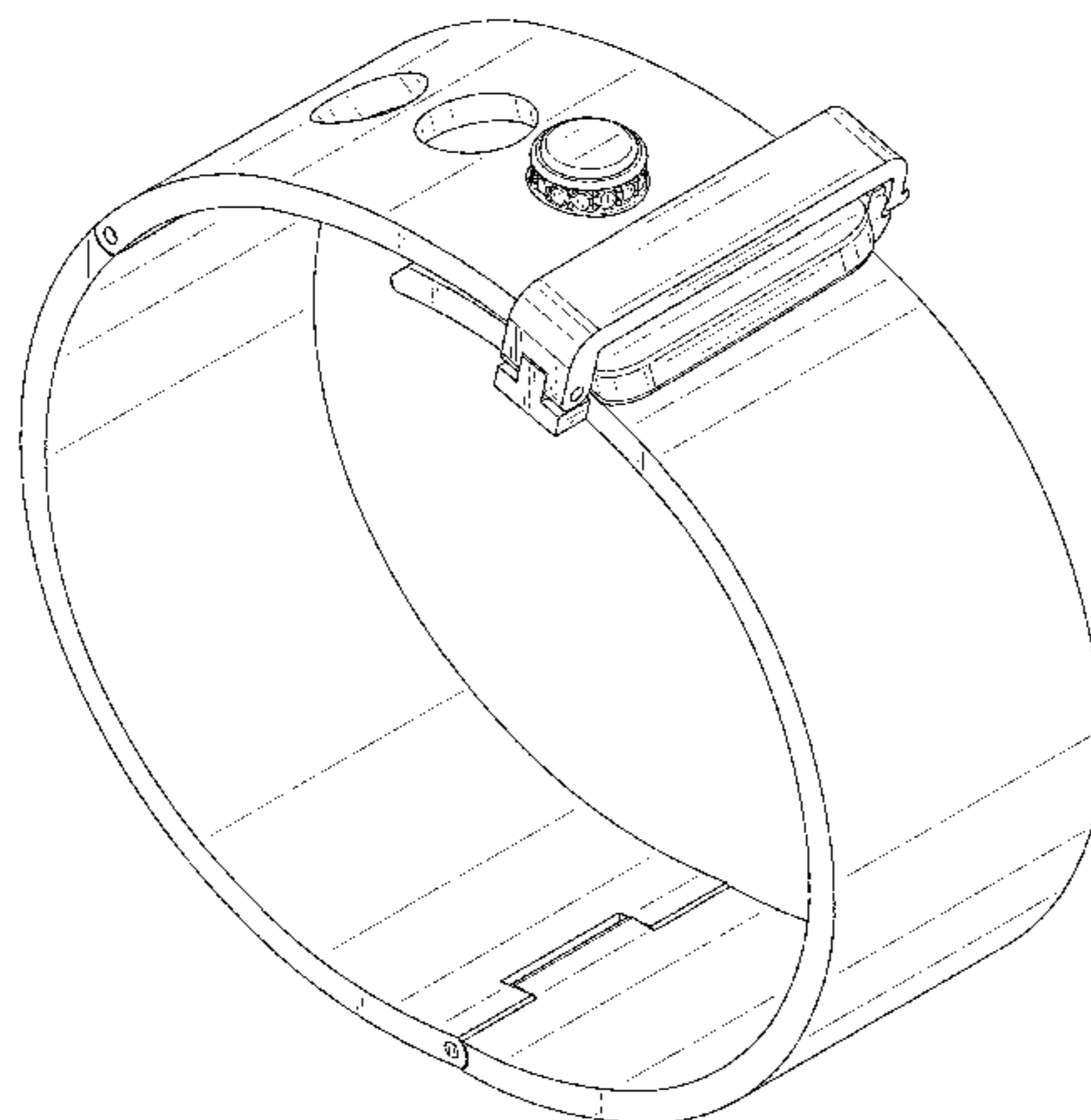


FIG. 12 is a top plan view of the bracelet in an alternative, unclashed and open position.

The broken lines shown representing an enlarged section of the claimed design illustrate the bounds of the area for enlargement and form no part of the claimed design.

**1 Claim, 12 Drawing Sheets**

(56)

**References Cited**

U.S. PATENT DOCUMENTS

D412,445 S *	8/1999	Bodino .....	D10/32
D413,531 S *	9/1999	Philippe .....	D10/32
D628,510 S *	12/2010	Maier .....	D11/3
D662,004 S *	6/2012	Hardy .....	D11/3
D668,171 S *	10/2012	Hardy .....	D11/5
D750,070 S *	2/2016	Magi .....	D14/344

D753,654 S *	4/2016	Eastwood .....	D11/4
2011/0061424 A1 *	3/2011	Gupta .....	A44C 5/0015 63/1.13
2015/0097010 A1 *	4/2015	Brenner .....	A44C 5/0007 224/267

OTHER PUBLICATIONS

Hermes, photograph of bracelet, commercially available at least as early as Jan. 9, 2017.

Michael Kors, photographs of bracelet, commercially available at least as early as Jan. 9, 2017.

Michael Kors, photograph of bracelet, commercially available at least as early as Jan. 9, 2017.

CC Sky, photograph of bracelet, commercially available at least as early as Jan. 9, 2017.

Marc Jacobs, photograph of bracelet, commercially available at least as early as Jan. 9, 2017.

Coach, photograph of bracelet, commercially available at least as early as Jan. 9, 2017.

\* cited by examiner

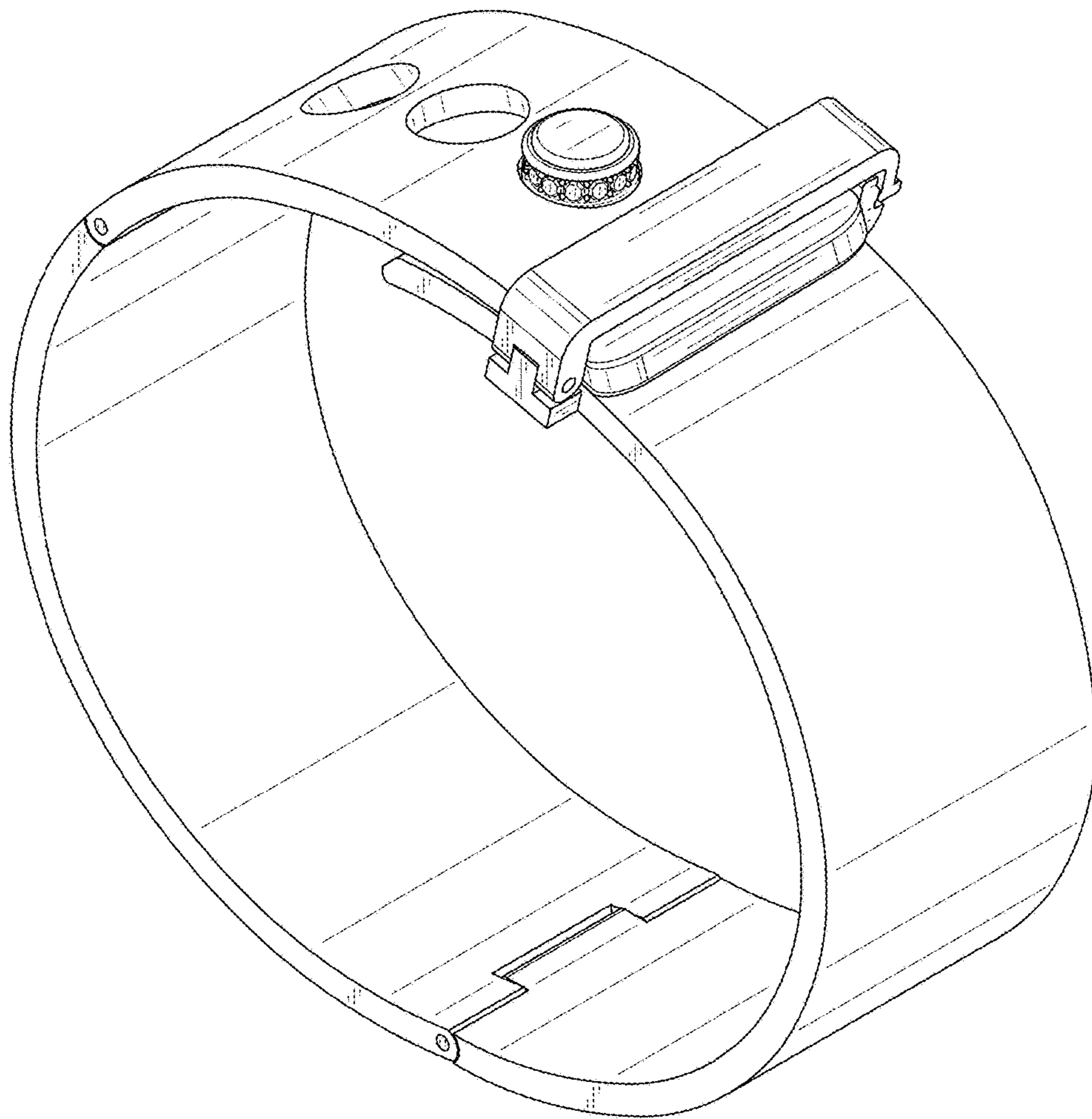


FIG. 1

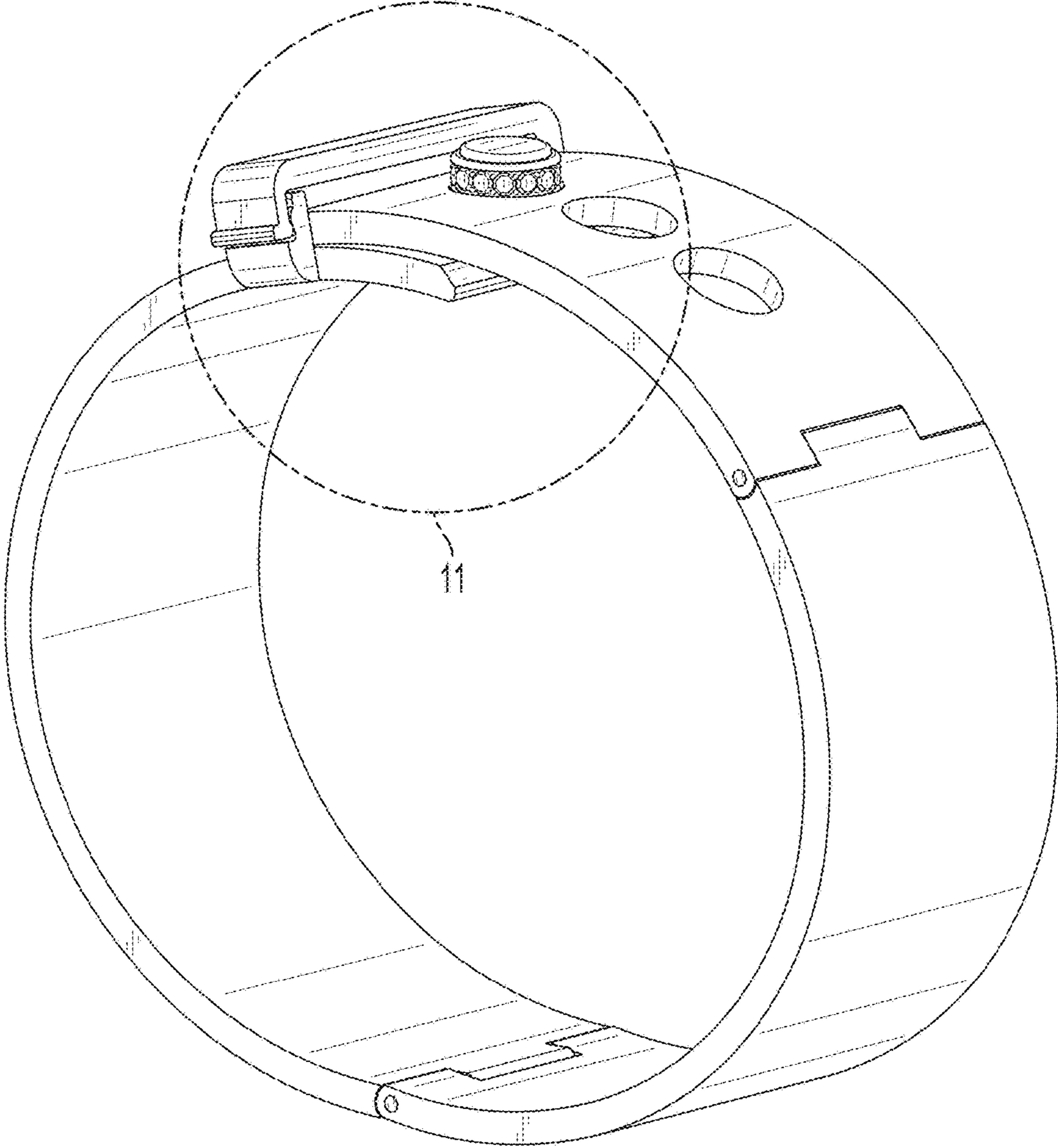


FIG. 2

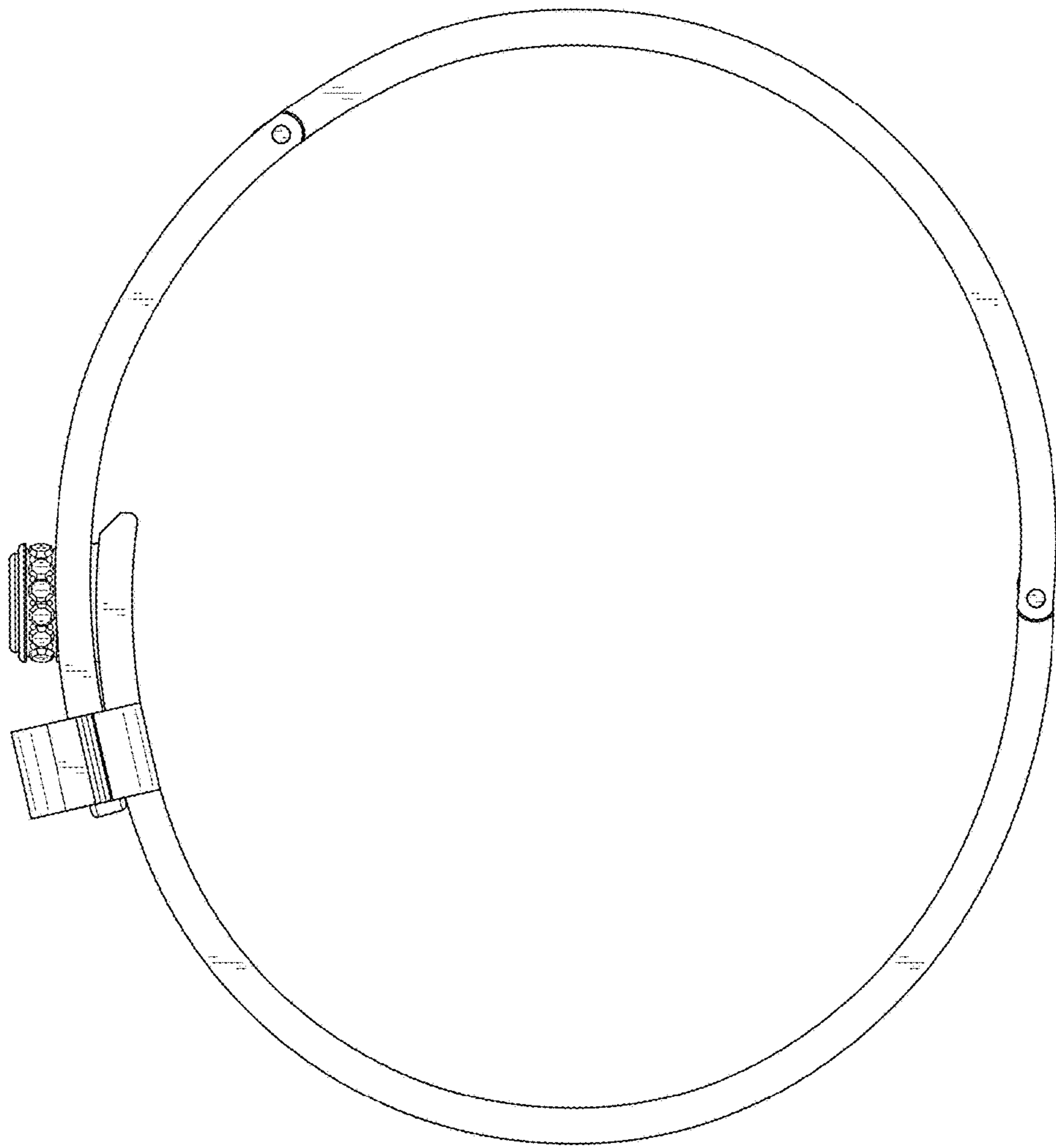


FIG. 3



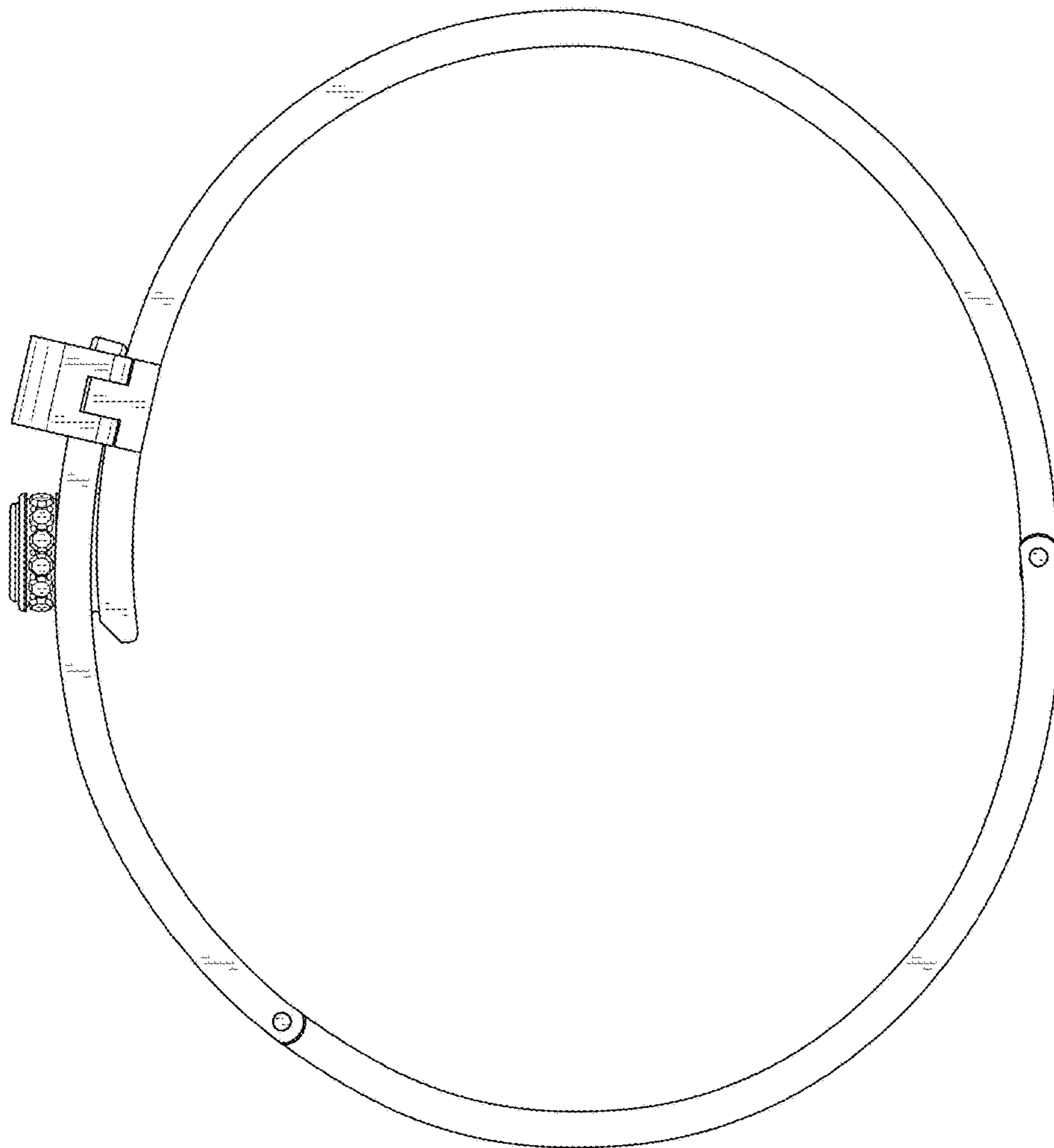


FIG. 4

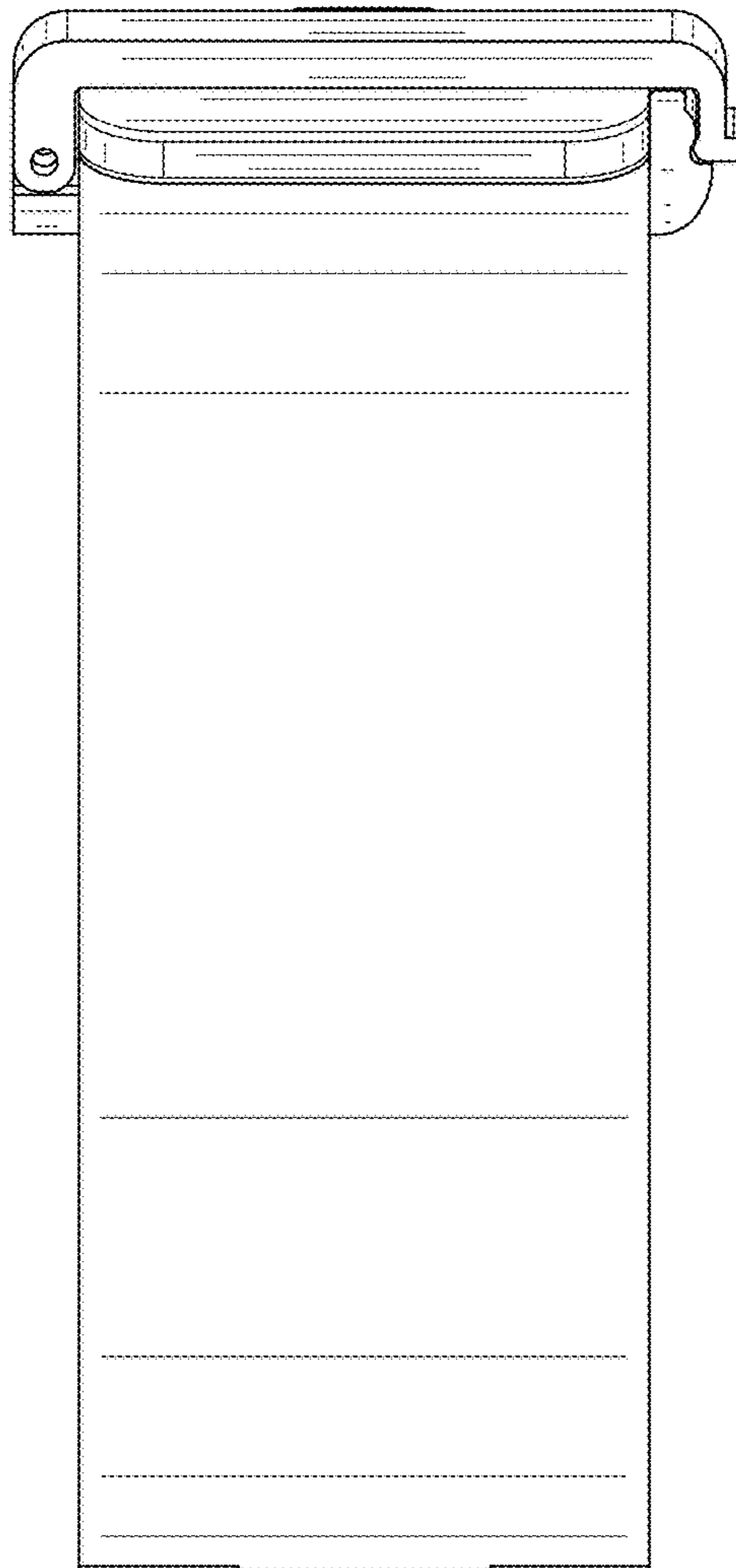


FIG. 5

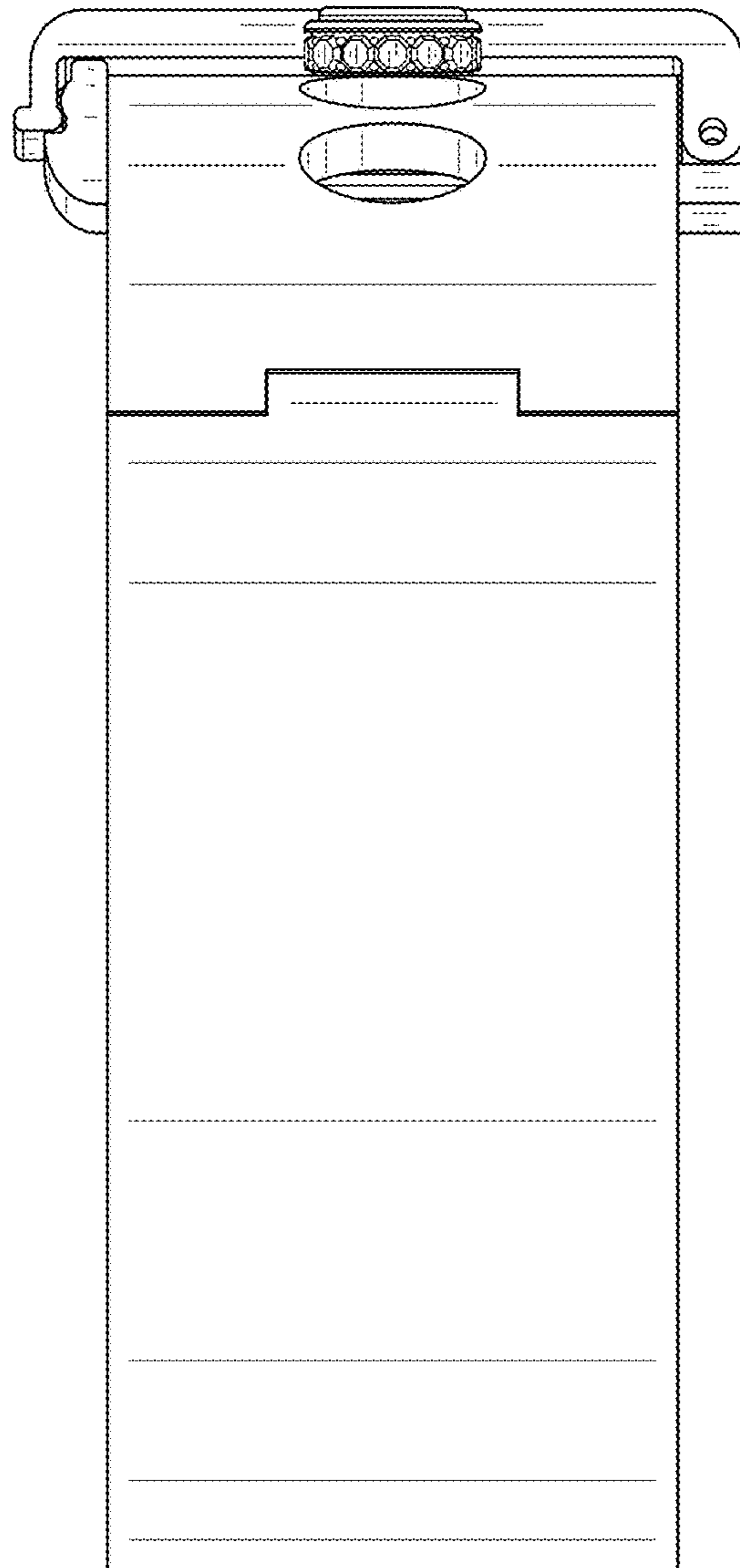


FIG. 6



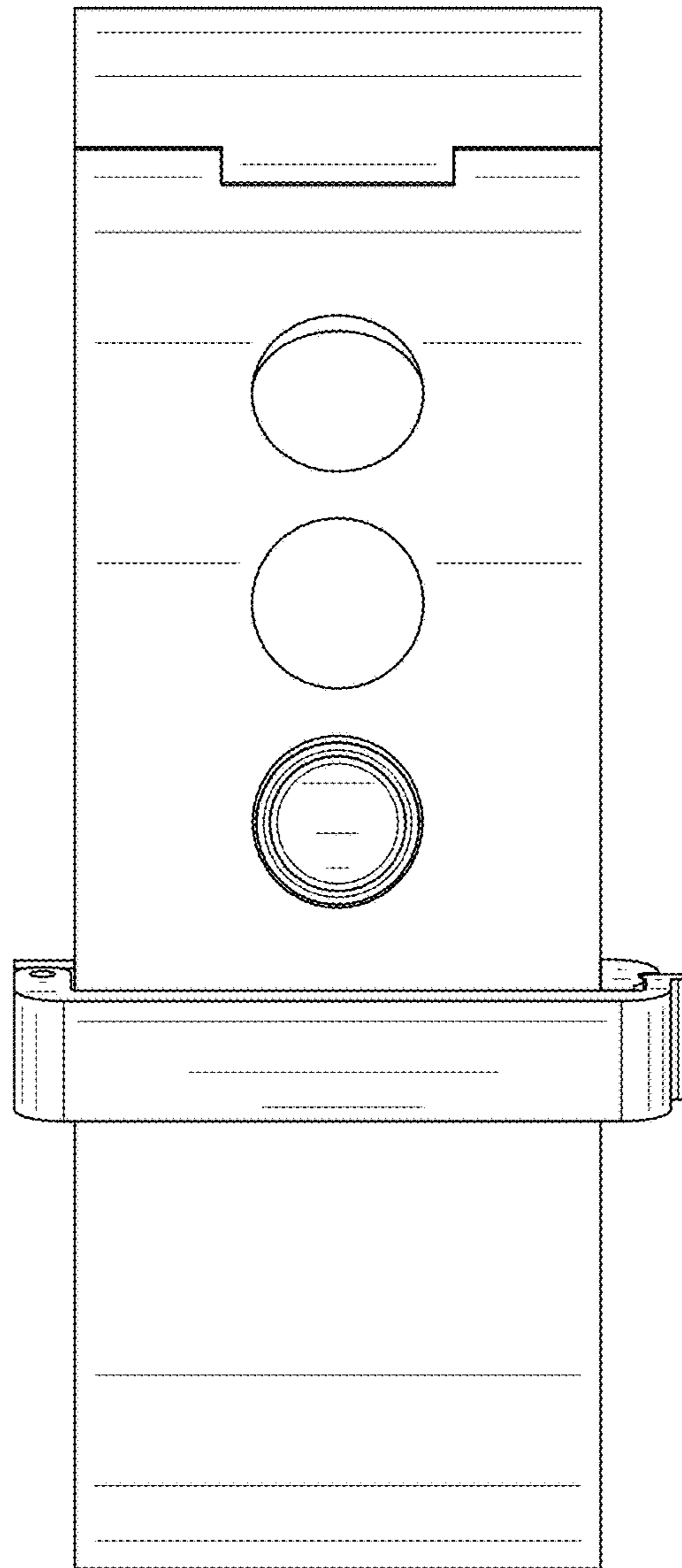


FIG. 7

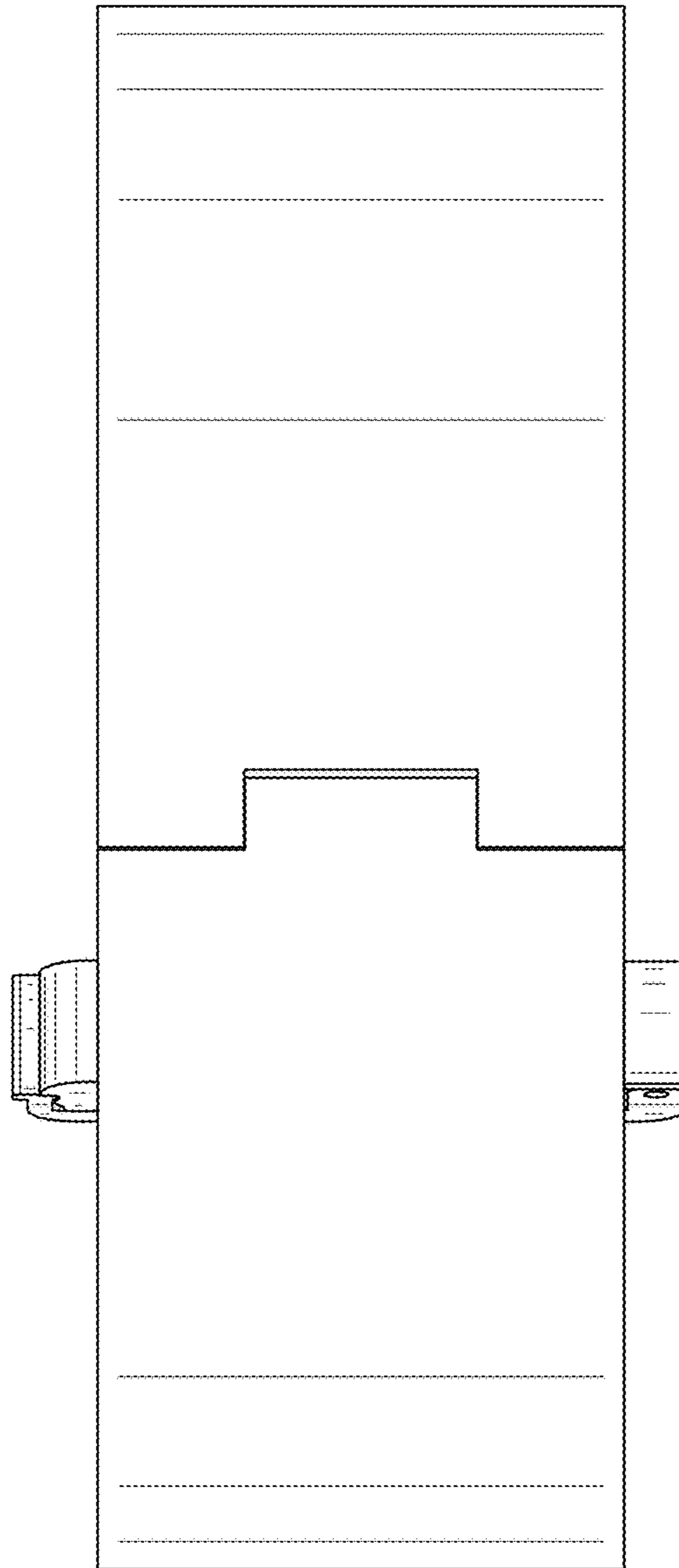


FIG. 8

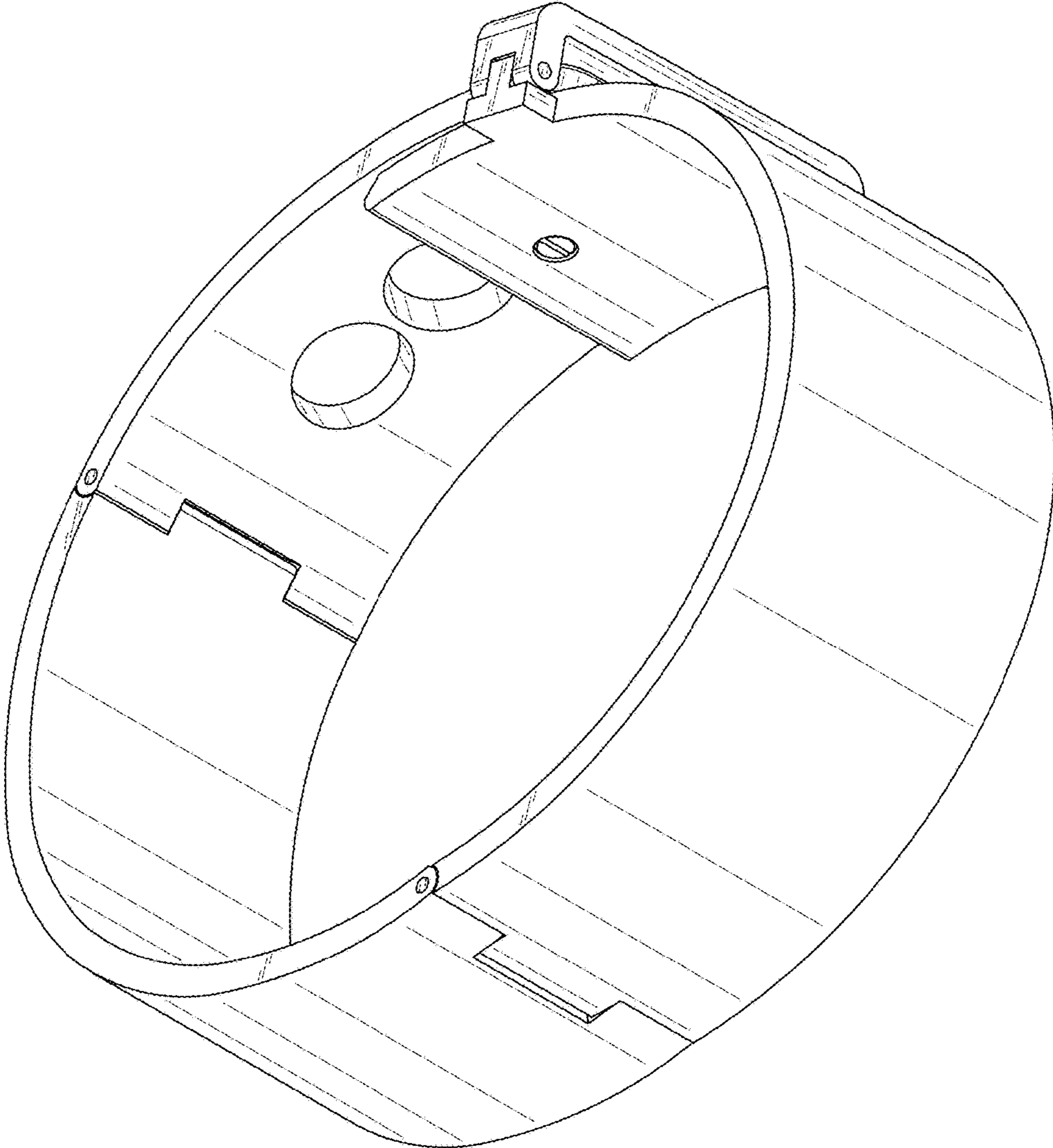


FIG. 9

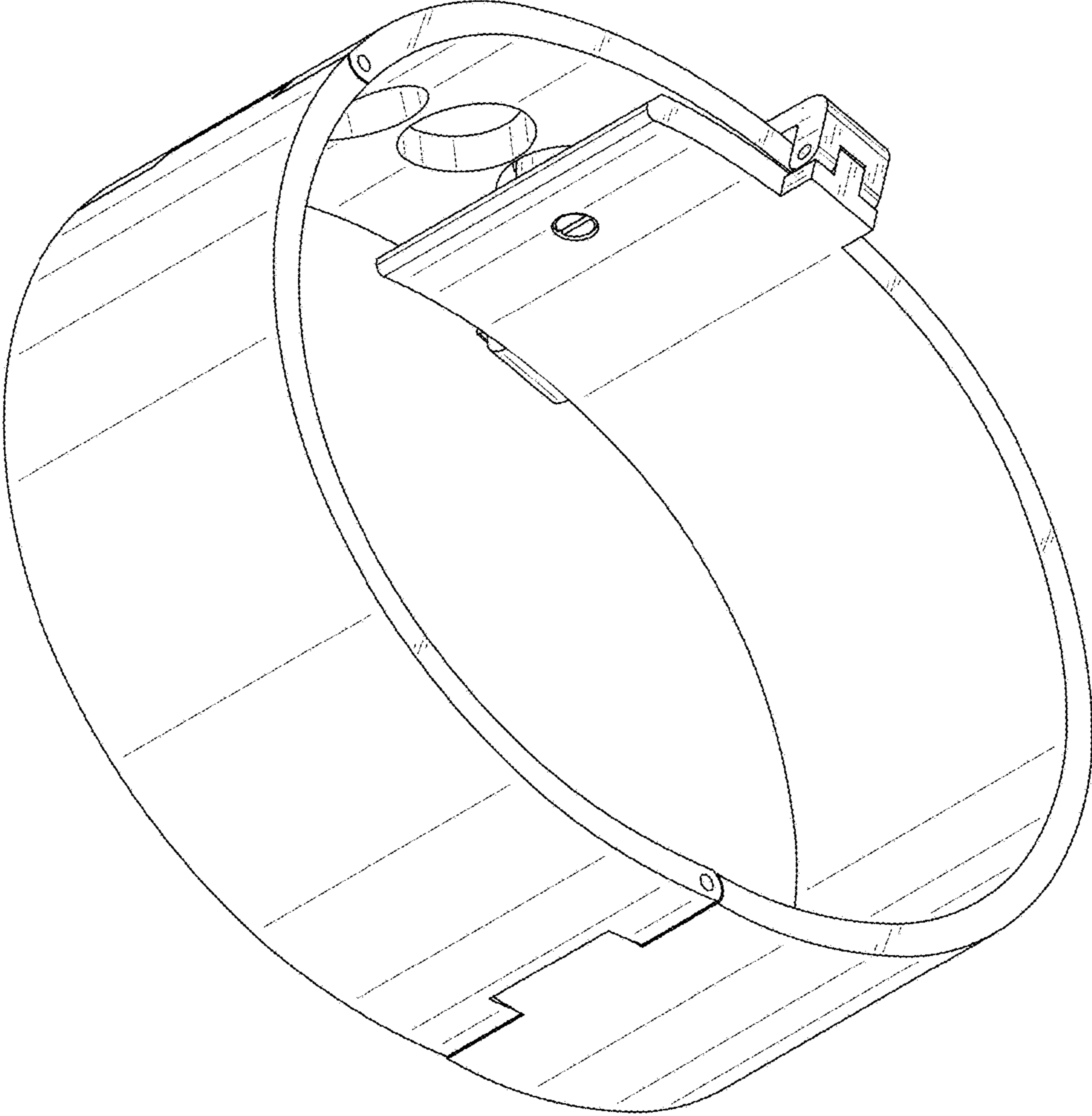


FIG. 10

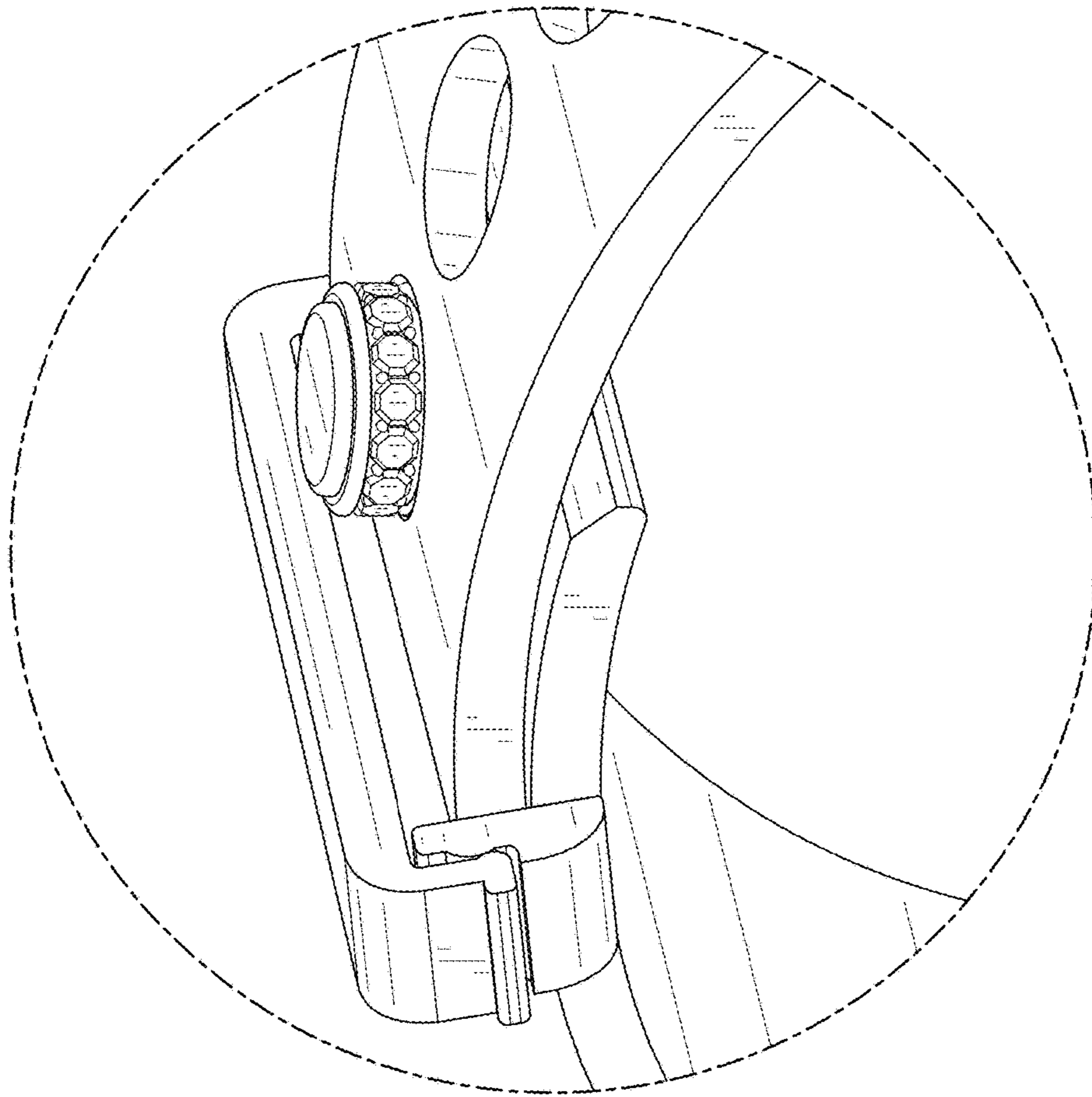


FIG. 11

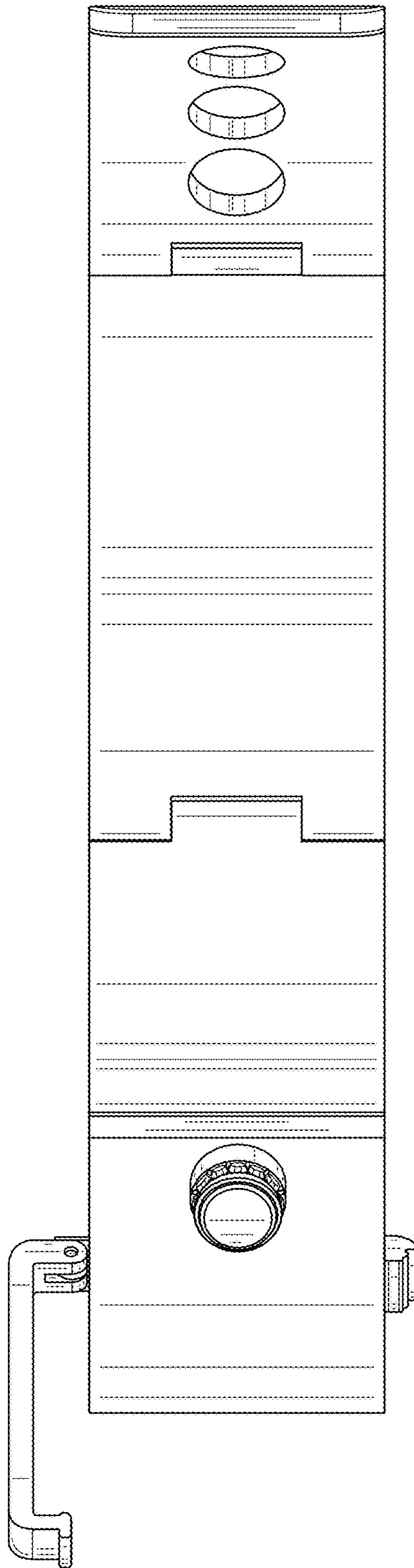


FIG. 12