



US00D808843S

(12) **United States Design Patent**
Kwon

(10) **Patent No.:** **US D808,843 S**

(45) **Date of Patent:** **** *Jan. 30, 2018**

(54) **BRACELET**

(71) Applicant: **HARRY WINSTON SA,**
Plan-les-Ouates (CH)

(72) Inventor: **Chaeree Kwon,** Brooklyn, NY (US)

(73) Assignee: **Harry Winston SA,** Plan-les-Ouates
(CH)

(*) Notice: This patent is subject to a terminal disclaimer.

(**) Term: **15 Years**

(21) Appl. No.: **29/572,739**

(22) Filed: **Jul. 29, 2016**

(30) **Foreign Application Priority Data**

Jan. 29, 2016 (WO) DM/089 200

(51) **LOC (11) Cl.** **11-01**

(52) **U.S. Cl.**
USPC **D11/4**

(58) **Field of Classification Search**
USPC D11/1-40; D28/39-43
CPC .. A44C 5/00; A44C 5/10; A44C 5/022; A44C
5/025; A44C 5/145; A44C 5/0007; A44C
5/0061; A44C 5/0076; A44C 5/0084;
A44C 5/0092; A44C 5/2071; A44C
5/2085; A44C 9/0038; A44C 9/0053;
A44C 17/02; A44C 5/0069; A44C 5/142;
A44C 15/005; A44C 15/0005; A44C
17/001; A44C 17/003; A44C 17/005
See application file for complete search history.

(56) **References Cited**

U.S. PATENT DOCUMENTS

1,325,840 A * 12/1919 Feagans A44C 9/00
63/15
1,822,392 A * 9/1931 Esterman A44C 9/02
63/15.4

D400,464 S * 11/1998 Kothari D11/28
D454,086 S * 3/2002 Ambar D11/29
D456,296 S * 4/2002 Ambar D11/4
D537,376 S * 2/2007 Gorrie D11/34
D625,642 S * 10/2010 Djordjevic D11/38
D780,028 S * 2/2017 Yatsugi-Kang D11/34
D780,030 S * 2/2017 Yatsugi-Kang D11/34
D792,800 S * 7/2017 Kwon D11/34
2005/0199007 A1 * 9/2005 LaCroix A44C 17/02
63/28
2009/0071192 A1 * 3/2009 Bauman A44C 9/00
63/15

(Continued)

OTHER PUBLICATIONS

Rose Gold Diamond Bracelet by Harry Winston (available online)
Retrieved from the internet Aug. 17, 2017, retrieved from the
Internet URL: <http://www.harrywinston.com/en/hw-logo-18k-rose-gold-diamond-bracelet-harry-winston>.*

(Continued)

Primary Examiner — Garth Rademaker
Assistant Examiner — Richard Kearney
(74) *Attorney, Agent, or Firm* — Blank Rome LLP

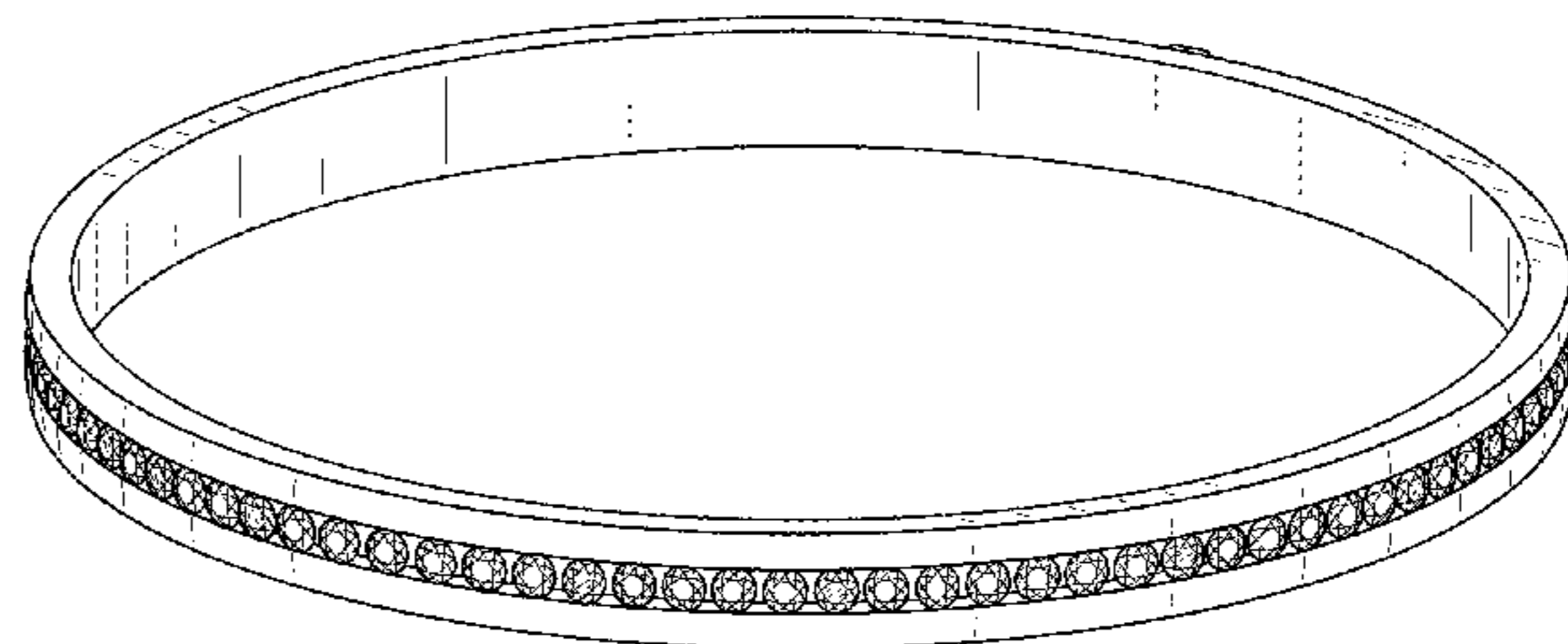
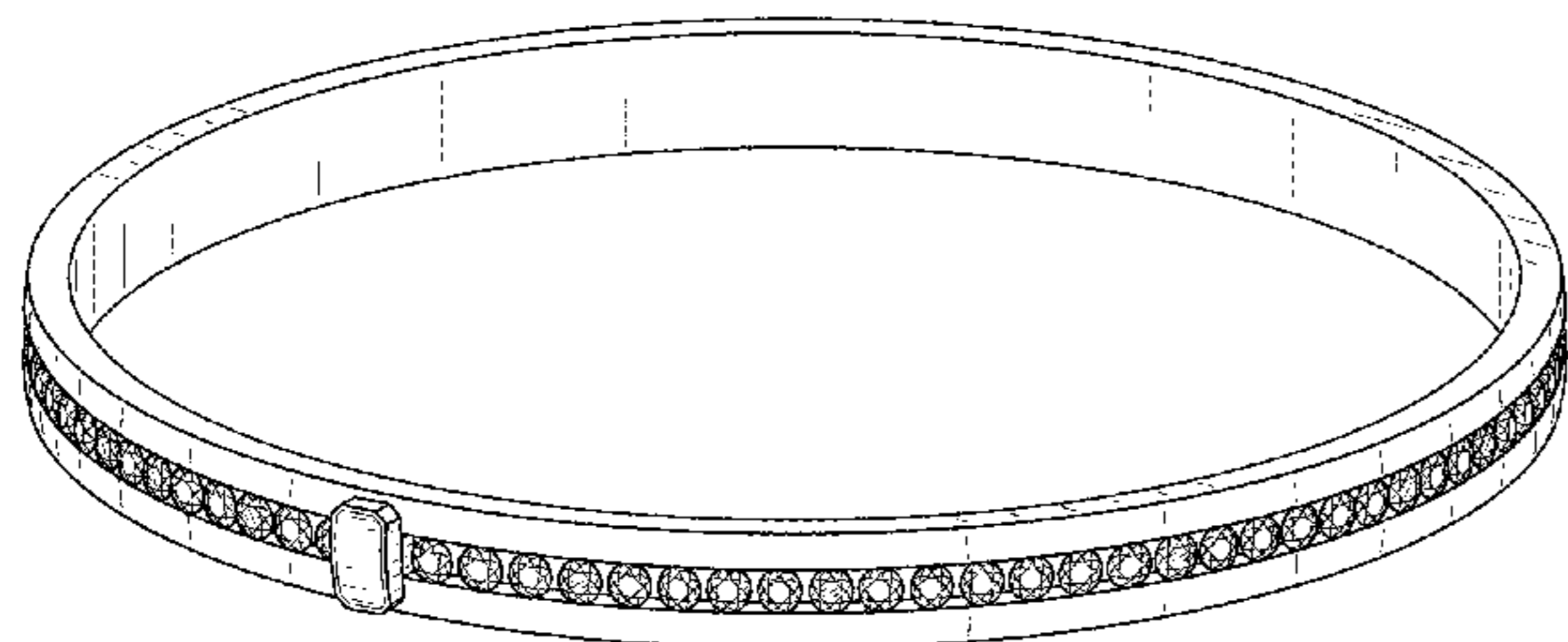
(57) **CLAIM**

The ornamental design for a bracelet, as shown.

DESCRIPTION

FIG. 1 is a front perspective view of a bracelet showing my new design;
FIG. 2 is a front view thereof;
FIG. 3 is a rear view thereof;
FIG. 4 is a left side view thereof;
FIG. 5 is a right side view thereof;
FIG. 6 is a top view thereof;
FIG. 7 is a bottom view thereof; and,
FIG. 8 is a rear perspective view thereof.

1 Claim, 5 Drawing Sheets



(56)

References Cited

U.S. PATENT DOCUMENTS

2017/0049195 A1* 2/2017 Dholakiya A44C 17/02

OTHER PUBLICATIONS

Rose Gold Diamond Ring by Harry Winston (available online Jun. 30, 2017) Retrieved from the internet Aug. 17, 2017, retrieved from the internet URL:https://web.archive.org/web/20170630132801/http://www.harrywinston.com/en/hw-logo-18k-rose-gold-diamond-bracelet-harry-winston.*

* cited by examiner

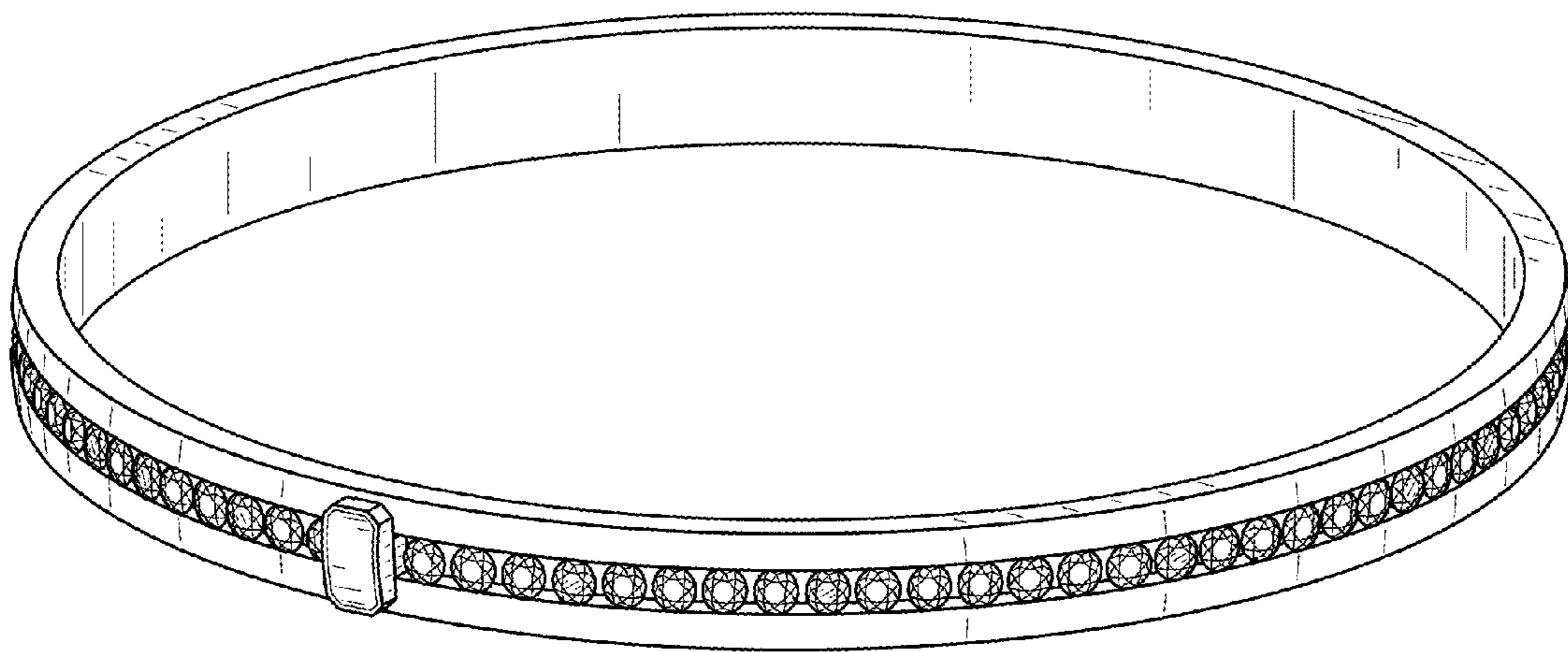


FIG. 1

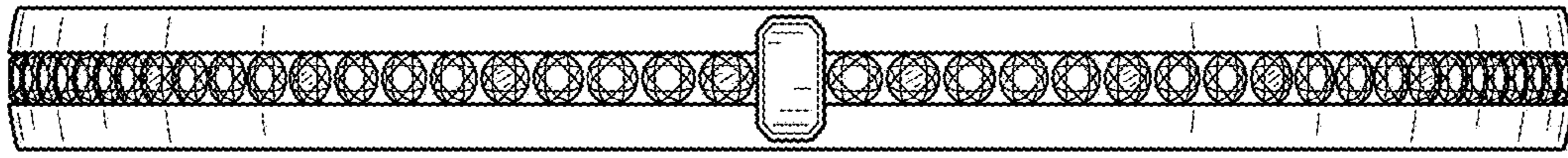


FIG. 2

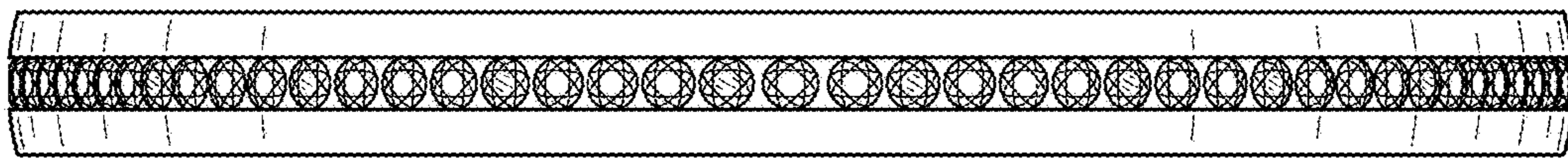


FIG. 3

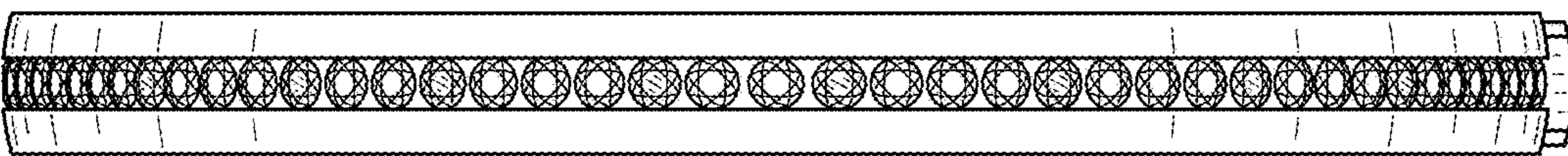


FIG. 4

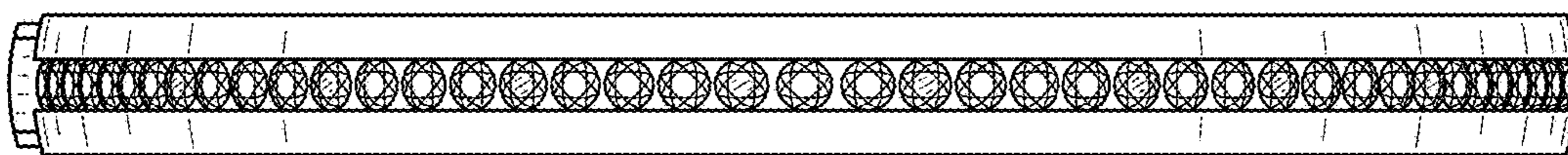


FIG. 5

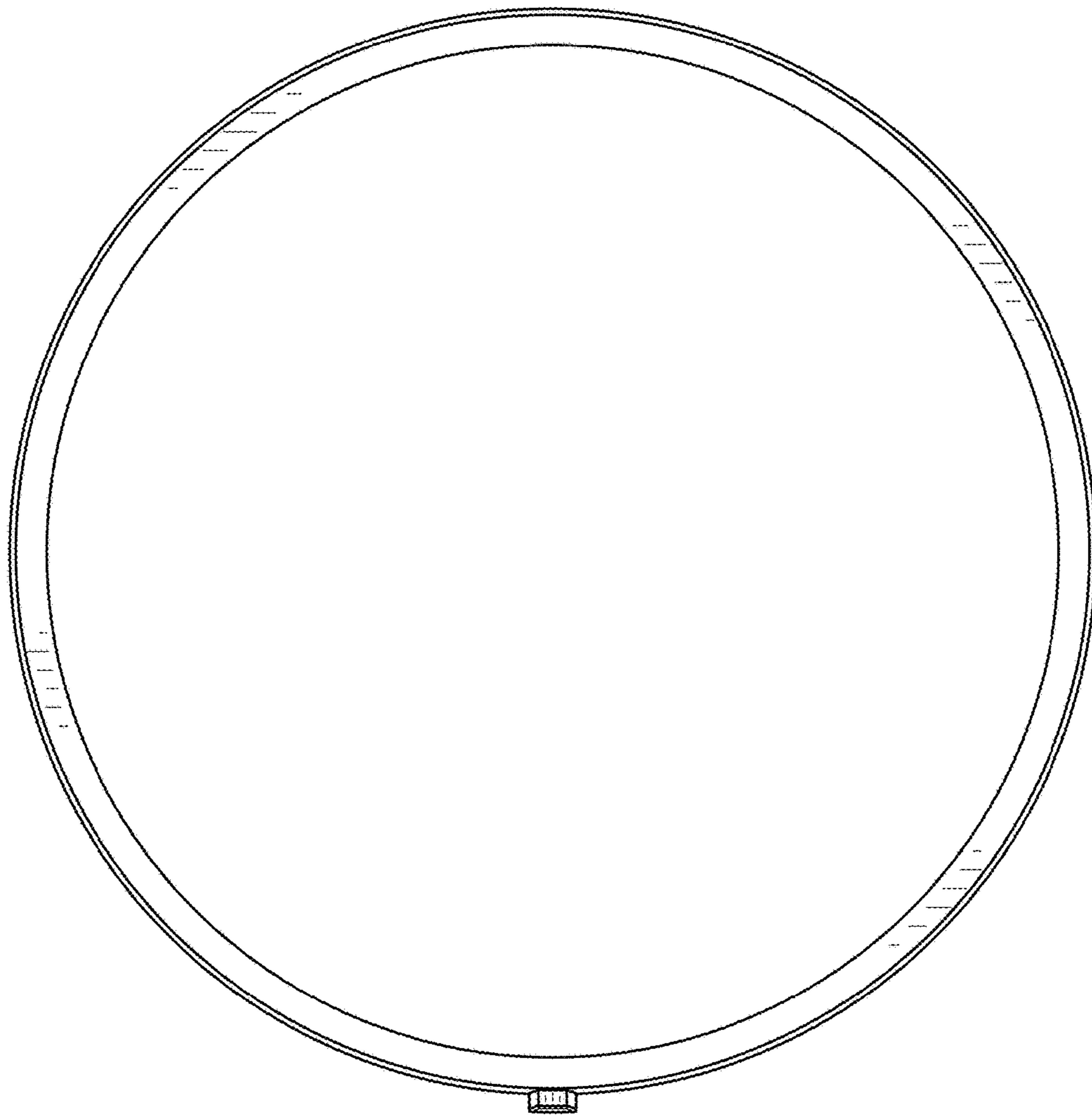


FIG. 6

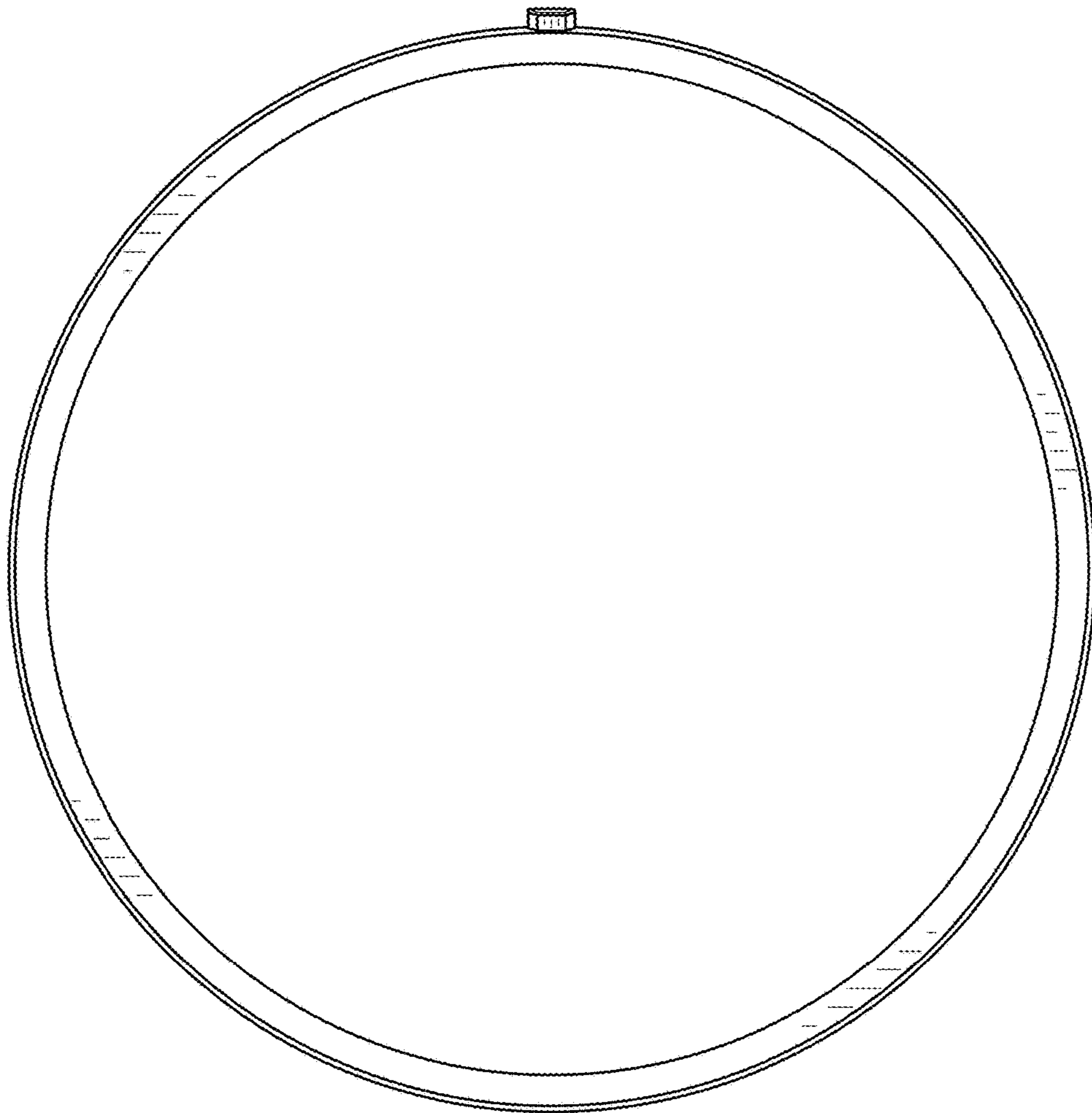


FIG. 7

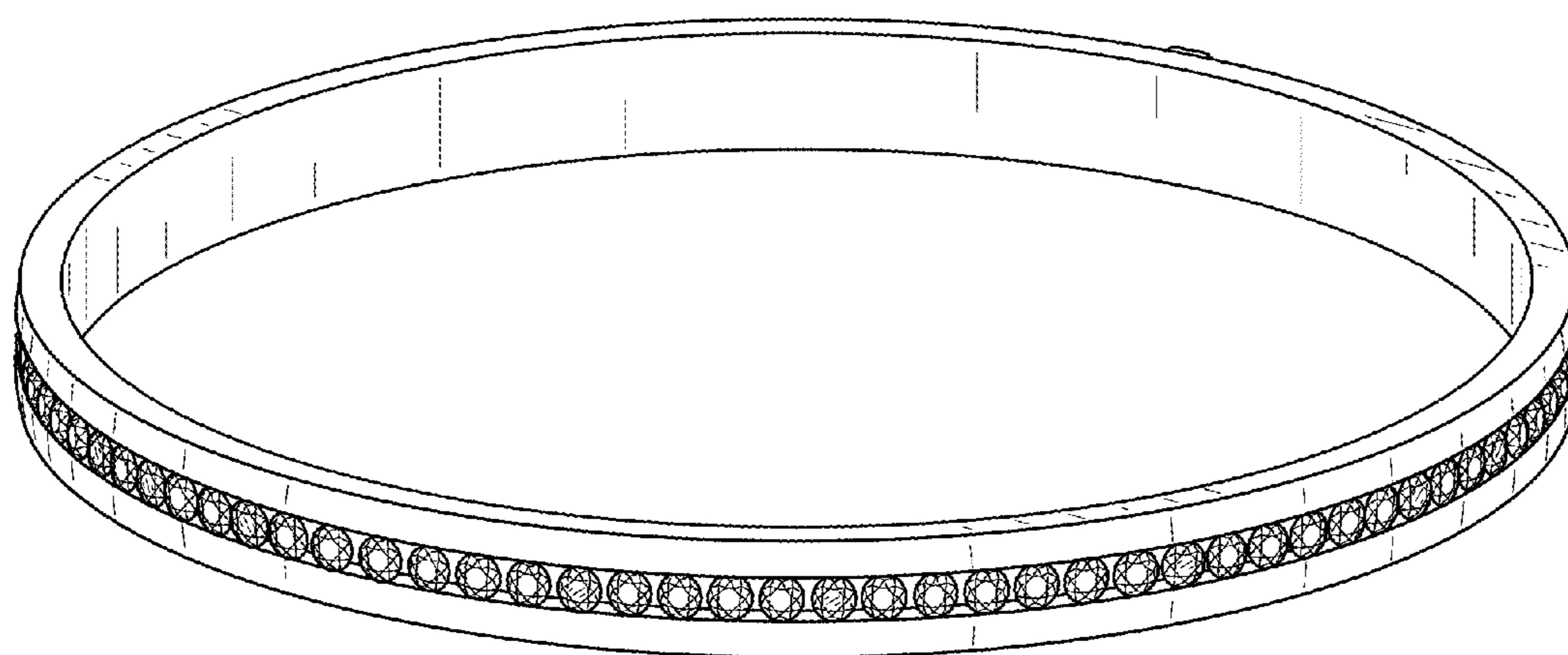


FIG. 8