



US00D808839S

(12) **United States Design Patent** (10) **Patent No.:** **US D808,839 S**
Moeller (45) **Date of Patent:** **** Jan. 30, 2018**

(54) **COMPACT SIGNAL DEVICE**
(71) Applicant: **WERMA Holding GmbH + Co. KG,**
Rietheim-Weilheim (DE)
(72) Inventor: **Markus Moeller,** Tuttlingen (DE)
(73) Assignee: **WERMA HOLDING GMBH + CO.**
KG, Rietheim-Weilheim (DE)
(**) Term: **14 Years**
(21) Appl. No.: **29/474,615**
(22) Filed: **Nov. 25, 2014**

(30) **Foreign Application Priority Data**
May 26, 2014 (DE) 40 2014 100 449
(51) **LOC (11) Cl.** **10-05**
(52) **U.S. Cl.**
USPC **D10/114.1**
(58) **Field of Classification Search**
USPC D10/114.1, 114.2, 114.9
CPC F21L 4/02
See application file for complete search history.

(56) **References Cited**
U.S. PATENT DOCUMENTS
5,079,679 A * 1/1992 Chin-Fa F21L 4/02
362/102
D389,420 S * 1/1998 Campman D10/114.9
6,213,623 B1 * 4/2001 Campman F21L 4/02
362/184
D673,475 S * 1/2013 Di Giovine D10/114.2
D676,775 S * 2/2013 Martin, Jr. D10/114.9
D682,724 S * 5/2013 Campman D10/114.9
D740,149 S * 10/2015 Talamo D10/114.9
D757,588 S * 5/2016 Stuffle D10/114.1
D777,051 S * 1/2017 Cotsman D10/114.9
D796,366 S * 9/2017 Talamo D10/114.9
2001/0015893 A1 * 8/2001 Campman F21L 4/02
362/184

* cited by examiner

Primary Examiner — George D. Kirschbaum
(74) *Attorney, Agent, or Firm* — Breneman & Georges

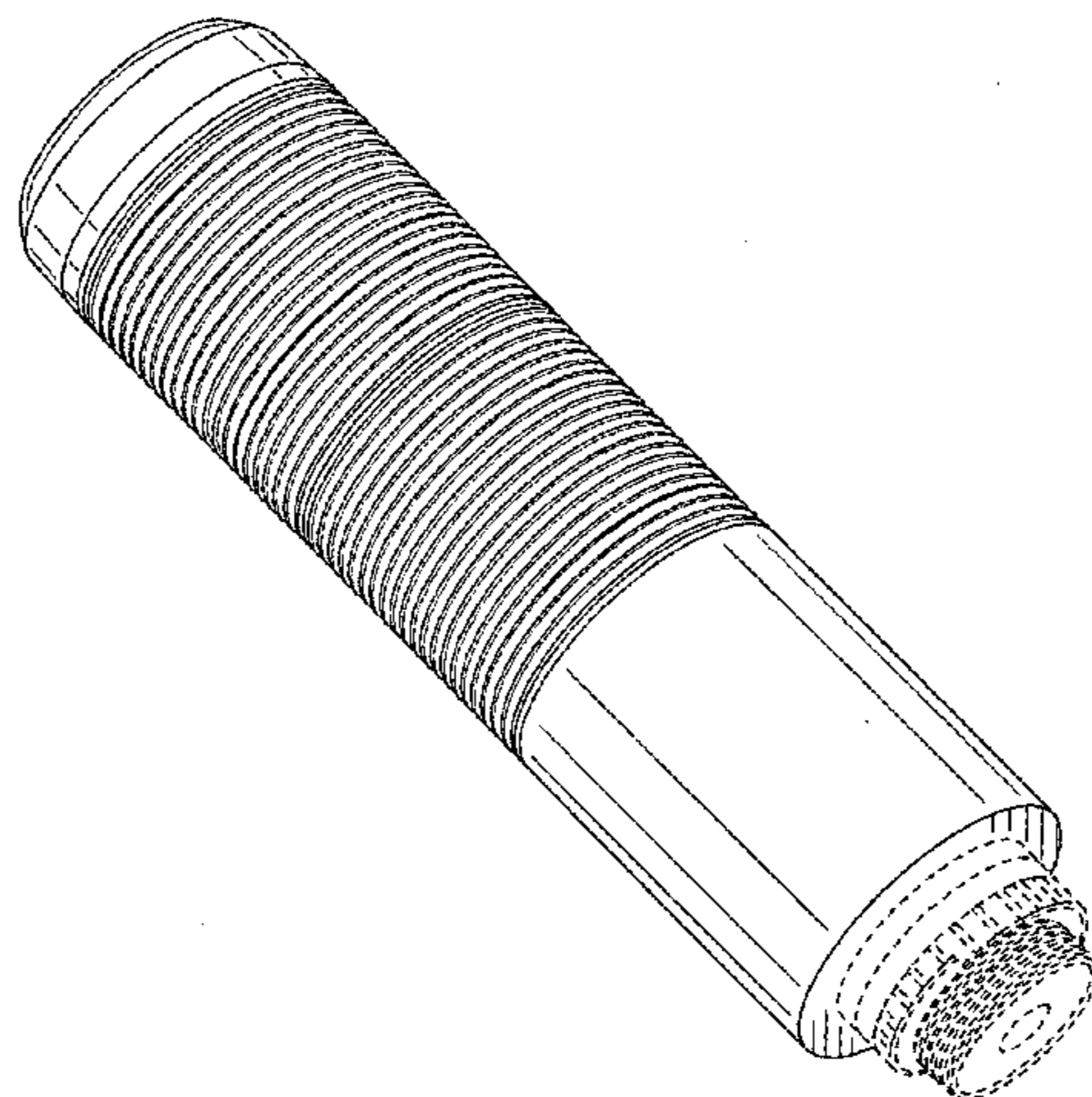
(57) **CLAIM**

The ornamental design for a compact signal device, as shown and described.

DESCRIPTION

FIG. 1 is a perspective view with a two segmented lens showing my new design;
FIG. 2 is a front elevational view of FIG. 1 with the rear elevational view being a mirror image thereof;
FIG. 3 is a top end view of FIG. 1;
FIG. 4 is a bottom end view of FIG. 1;
FIG. 5 is a perspective view with a three segmented lens showing my new design;
FIG. 6 is a front elevational view of FIG. 5 with the rear elevational view being a mirror image of FIG. 6 and with the top end view the same as FIG. 3 and the bottom end view the same as FIG. 4;
FIG. 7 is a perspective view with a four segmented lens showing my new design;
FIG. 8 is a front elevational view of FIG. 7 with the rear elevational view being a mirror image of FIG. 8 and with the top end view the same as FIG. 3 and the bottom end view the same as FIG. 4;
FIG. 9 is a perspective view with a five segmented lens showing my new design; and,
FIG. 10 is a front elevational view of FIG. 9 with the rear elevational view being a mirror image of FIG. 10 and with the top end view the same as FIG. 3 and the bottom end view the same as FIG. 4.
In the drawings, the broken lines showing the electrical and mechanical connections at the bottom end of the compact signal device depict connective subject matter and forms no part of the claim.

1 Claim, 8 Drawing Sheets



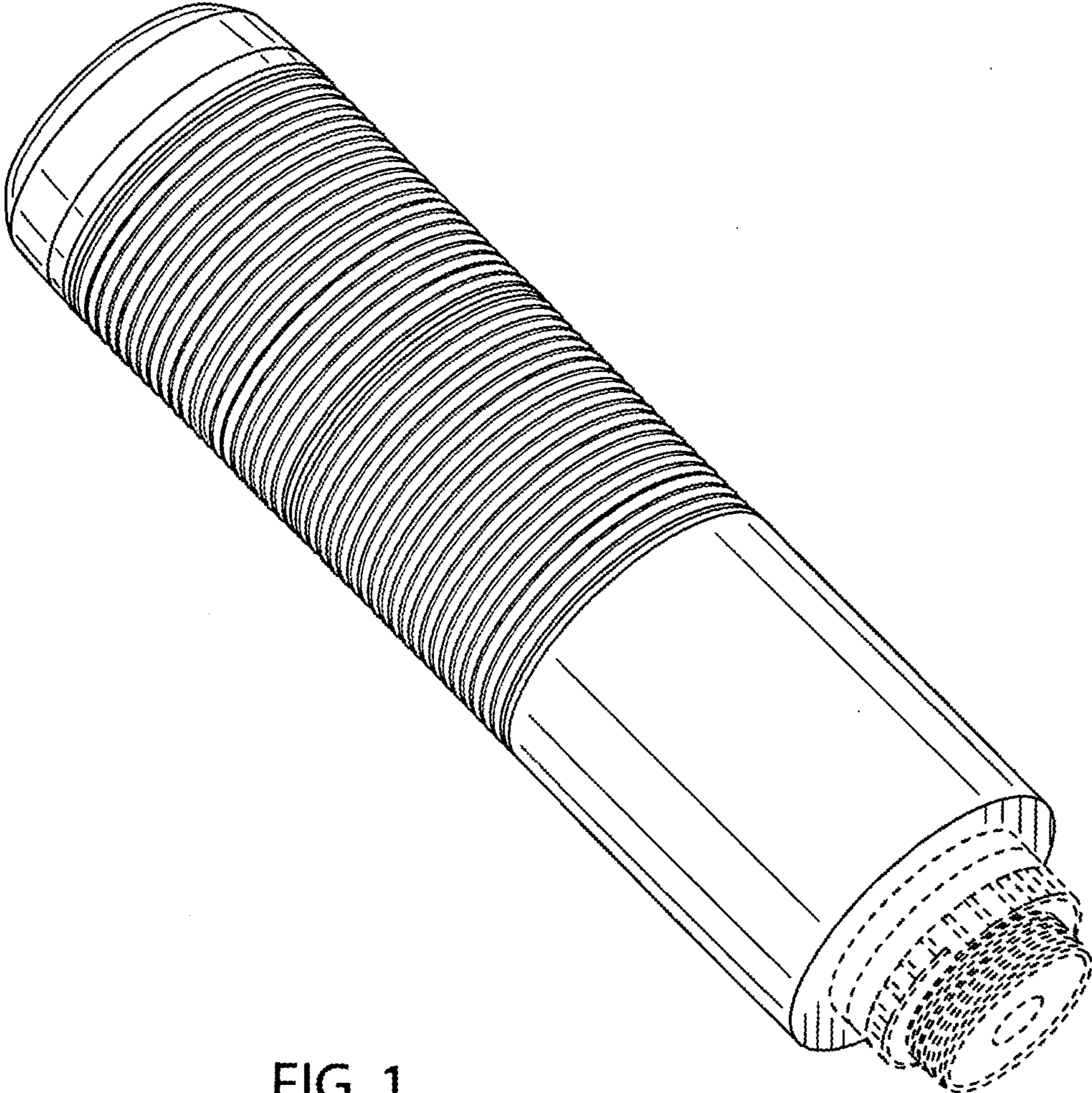


FIG. 1

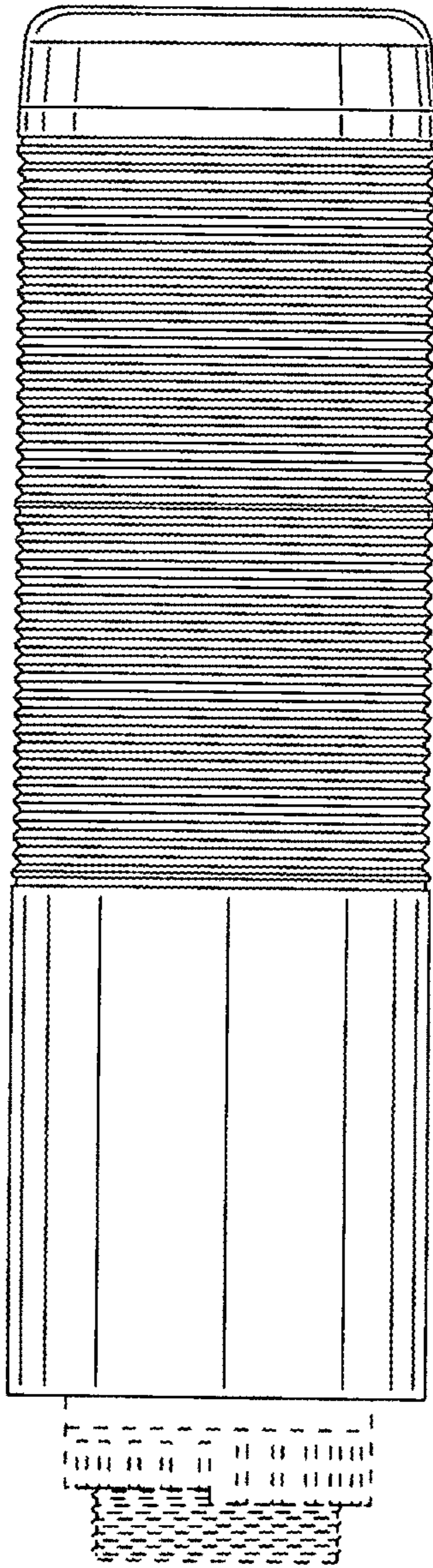


FIG. 2

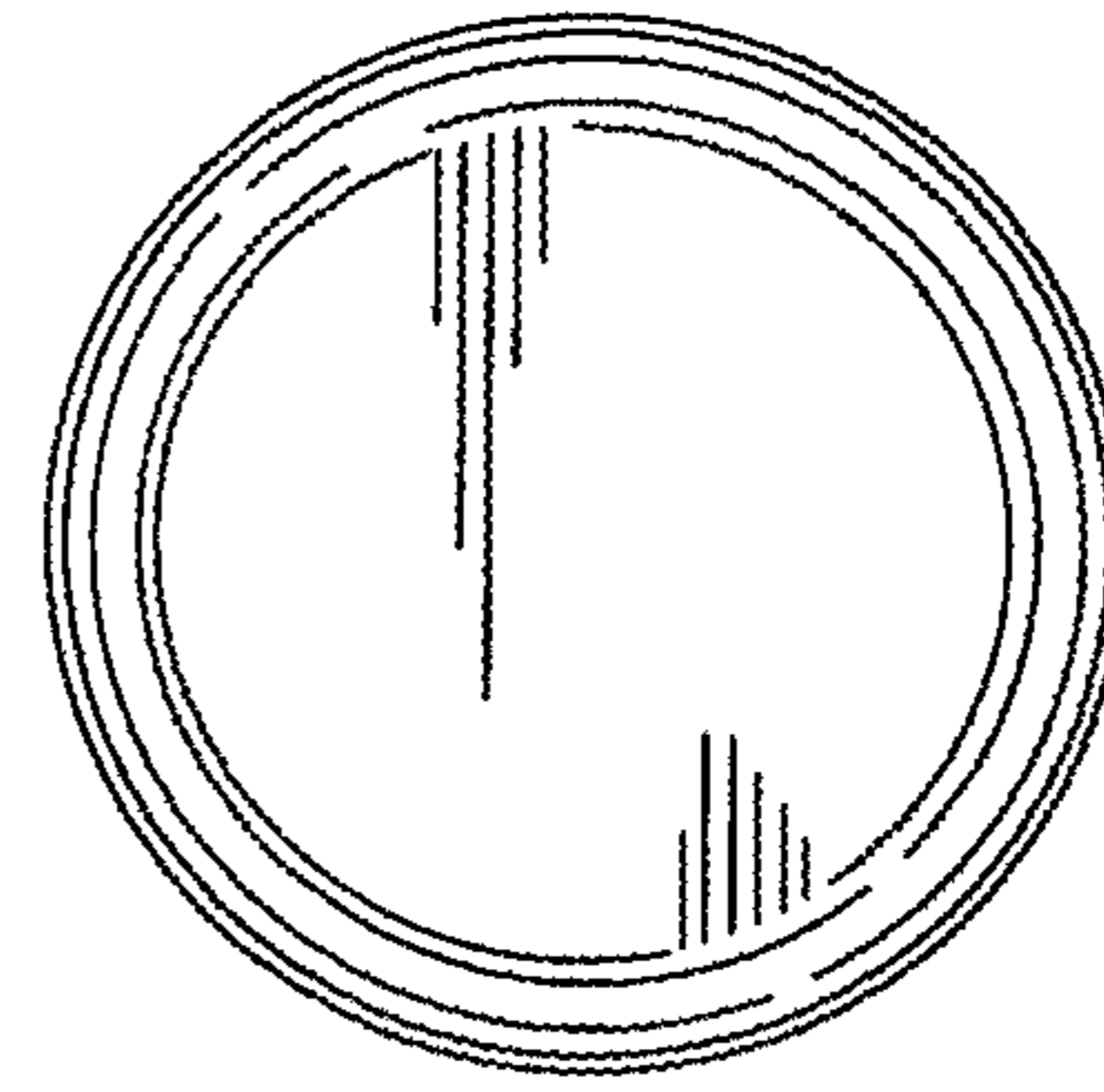


FIG. 3

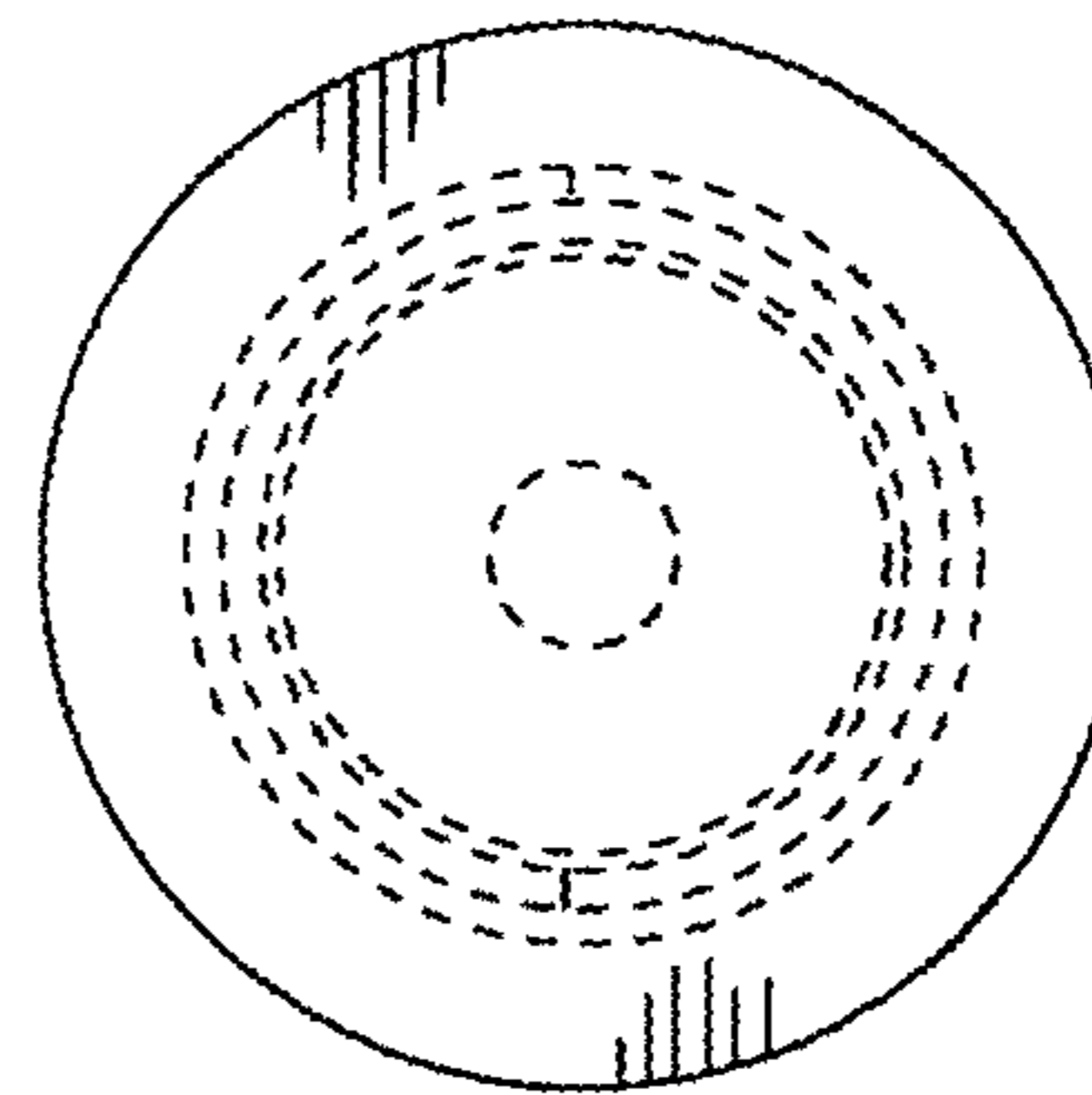


FIG. 4

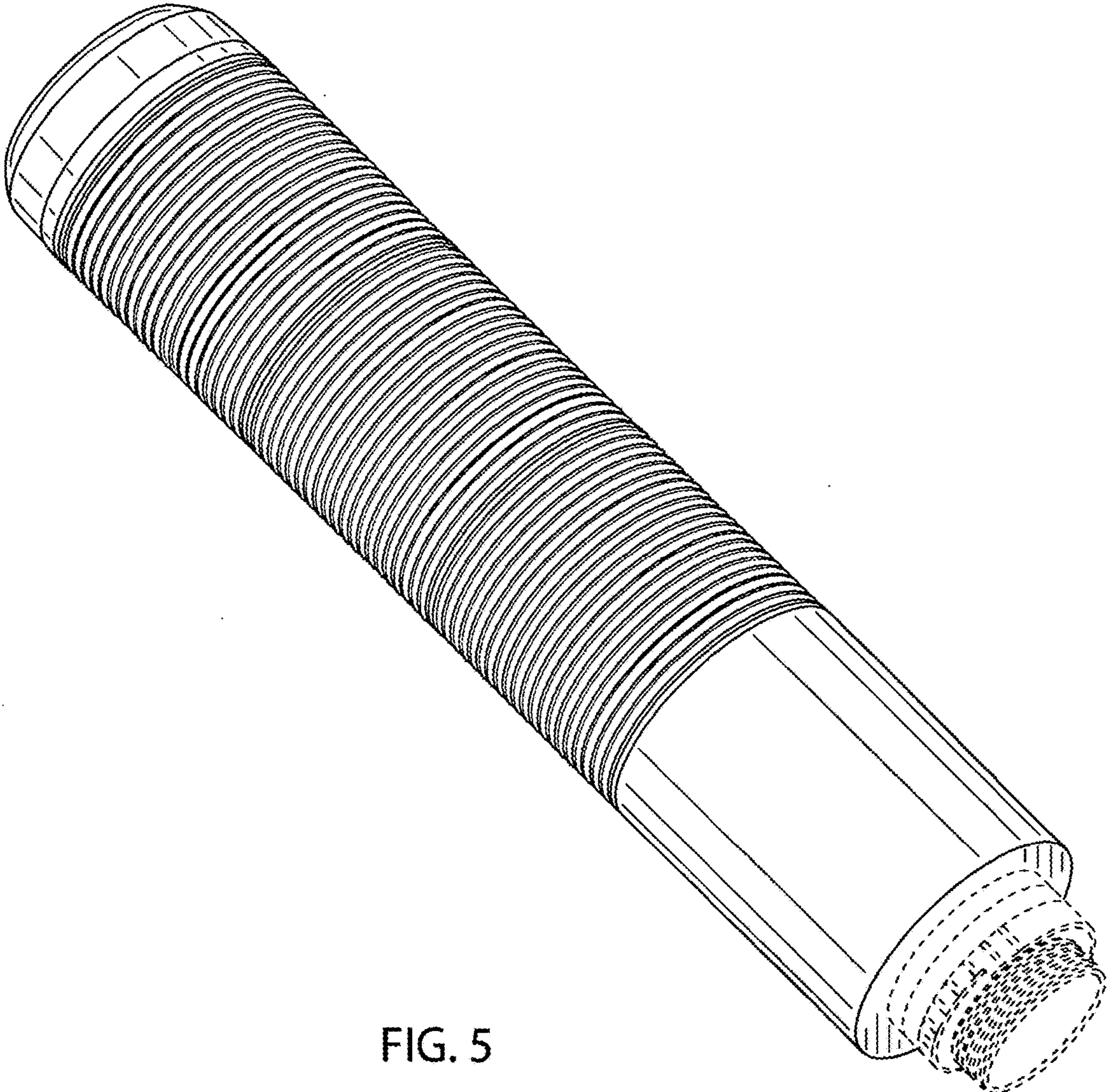


FIG. 5

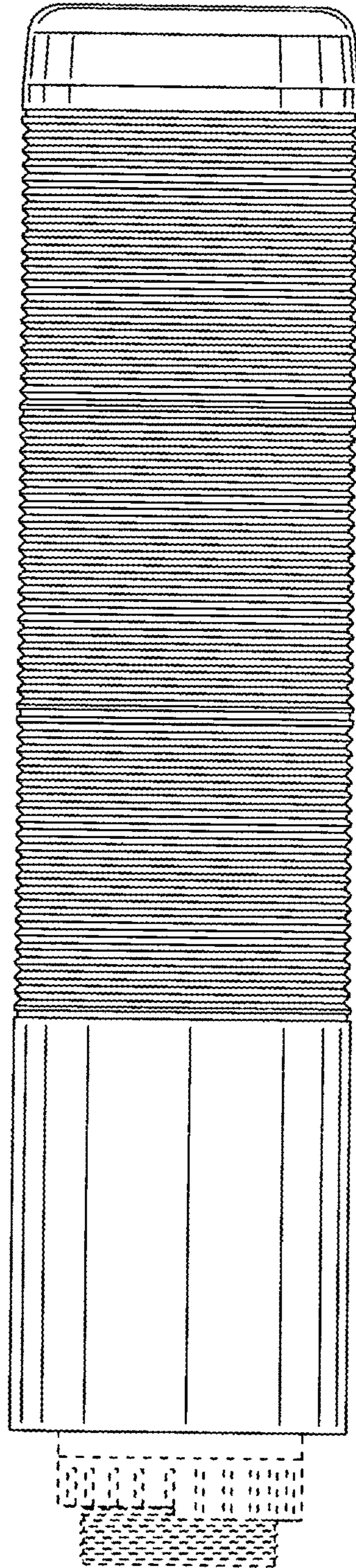


FIG. 6

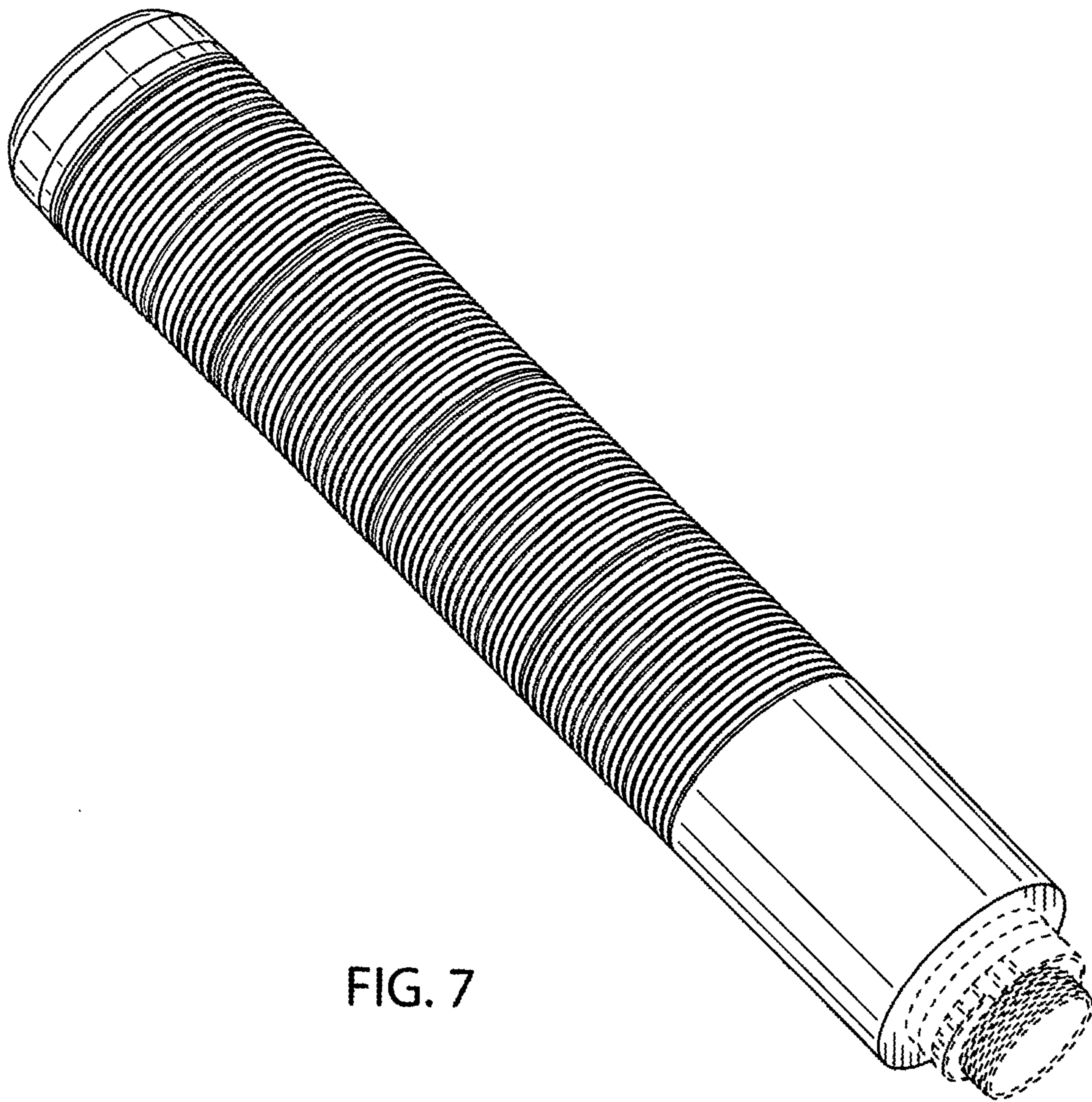


FIG. 7

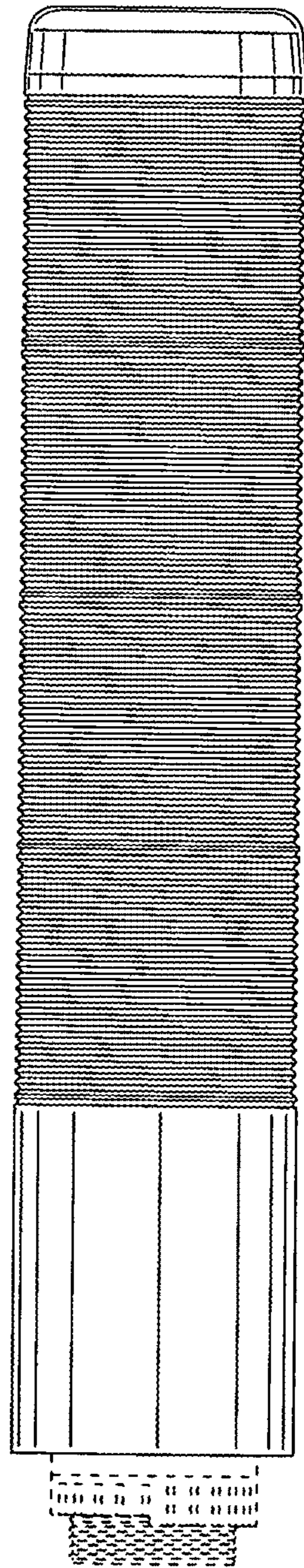


FIG. 8

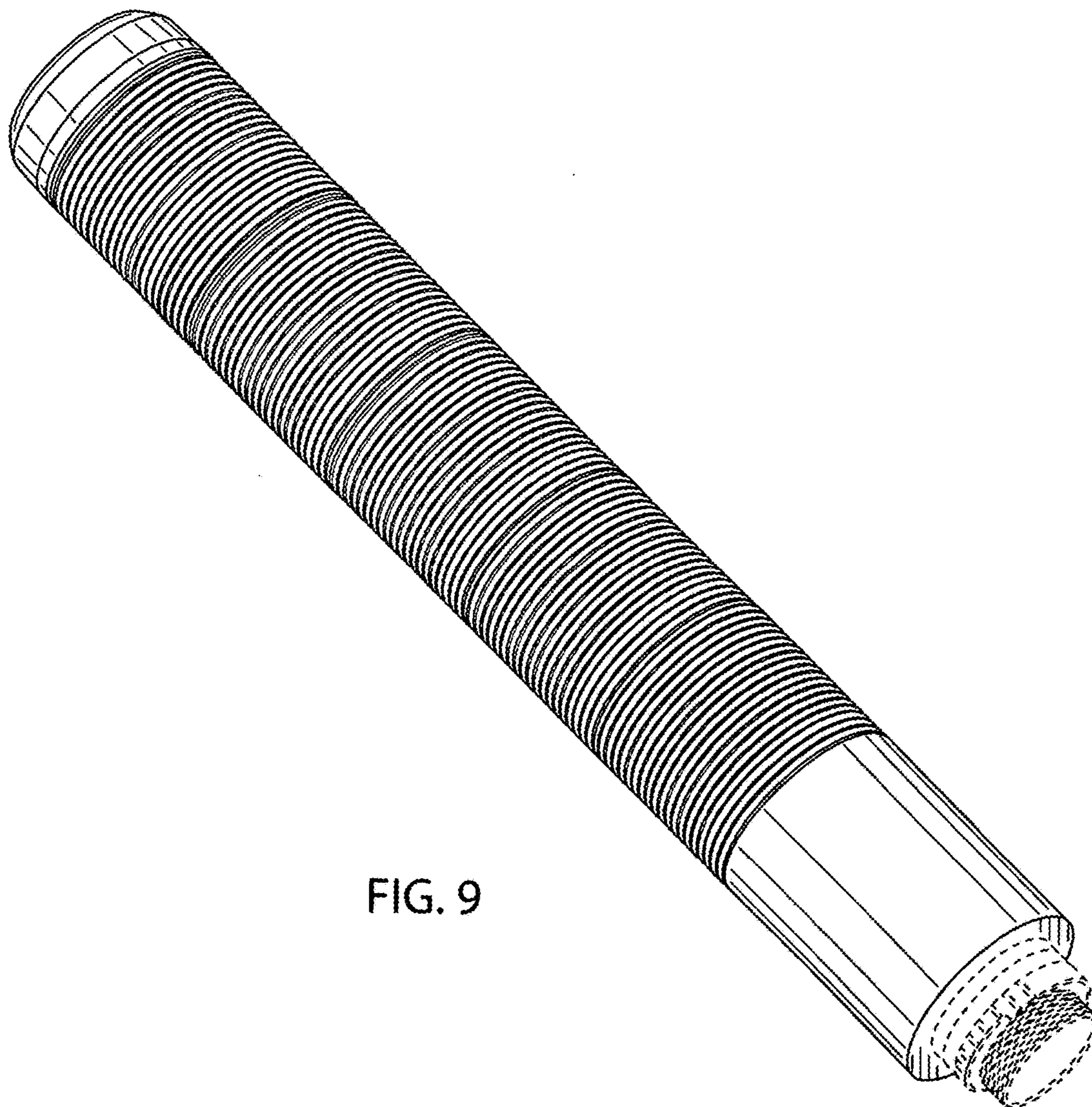


FIG. 9

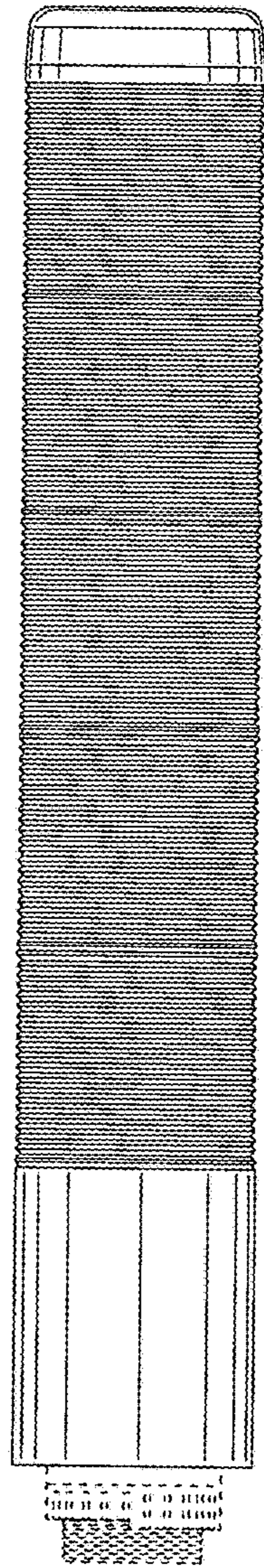


FIG. 10