



US00D808837S

(12) **United States Design Patent**
Banhegyesi et al.

(10) **Patent No.:** **US D808,837 S**
(45) **Date of Patent:** **** Jan. 30, 2018**

- (54) **ELECTRONIC POWER METER**
- (71) Applicant: **Electro Industries/Gauge Tech,**
Westbury, NY (US)
- (72) Inventors: **Tibor Banhegyesi,** Baldwin, NY (US);
Avi Cohen, Great Neck, NY (US)
- (73) Assignee: **Electro Industries/Gauge Tech,**
Westbury, NY (US)

- 3,989,334 A 11/1976 Fortino
- D273,574 S 4/1984 Overs
- 4,609,247 A 9/1986 Annot
- 5,014,213 A 5/1991 Edwards et al.
- D332,923 S 2/1993 Polydoris et al.
- D343,786 S 2/1994 Hines et al.
- D348,019 S 6/1994 Kocol et al.
- D366,434 S 1/1996 Brown, III et al.
- 5,581,470 A 12/1996 Pawloski
- D381,281 S 7/1997 Miller

(Continued)

(**) Term: **15 Years**

OTHER PUBLICATIONS

(21) Appl. No.: **29/556,761**

BE1-951 Multifunction Protection System, Basler Electric, Sep. 2012 pp. 1-12.

(22) Filed: **Mar. 3, 2016**

(Continued)

Related U.S. Application Data

(63) Continuation of application No. 29/515,225, filed on Jan. 21, 2015, now Pat. No. Des. 753,003.

Primary Examiner — Antoine D Davis

(74) *Attorney, Agent, or Firm* — Gerald E. Hespos;
Michael J. Porco; Matthew T. Hespos

(51) **LOC (11) Cl.** **10-04**

(57) **CLAIM**

(52) **U.S. Cl.**
USPC **D10/99; D10/100; D10/103**

The ornamental design for an electronic power meter, as shown and described.

(58) **Field of Classification Search**
USPC D10/99, 100, 102, 103
CPC G01R 22/00; G01R 22/06; G01R 22/061;
G01R 22/08; G01R 22/10; G01R 22/065;
G01R 21/00; G01R 21/06; G01R 21/133;
G01R 21/1331; G01R 21/1333; G01R
21/1335; G01R 21/1336; G01R 21/1338
See application file for complete search history.

DESCRIPTION

FIG. 1 is a front, left perspective view of an electronic power meter showing our new design;
FIG. 2 is a rear, left perspective view thereof;
FIG. 3 is a rear, right perspective view thereof;
FIG. 4 is a front elevational view thereof;
FIG. 5 is a rear elevational view thereof;
FIG. 6 is a left side elevational view thereof;
FIG. 7 is a right side elevational view thereof;
FIG. 8 is a top plan view thereof; and,
FIG. 9 is a bottom plan view thereof.

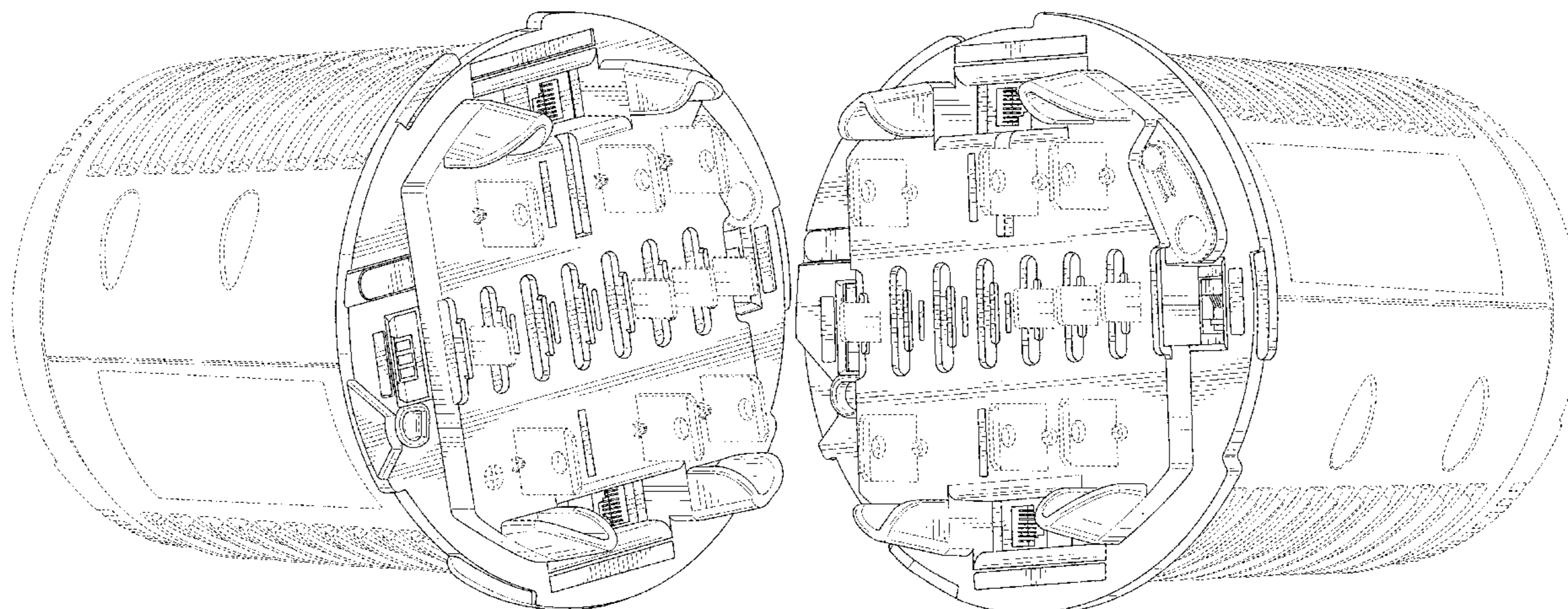
The broken lines are for the purpose of illustrating portions of the electronic power meter and form no part of the claimed design.

(56) **References Cited**

U.S. PATENT DOCUMENTS

- D56,045 S 8/1920 White
- D76,149 S 2/1924 Olsen
- 1,705,301 A 3/1929 Miller
- D187,740 S 4/1960 Littlejohn
- D199,808 S 12/1964 Gazzam, III
- D201,100 S 5/1965 Little et al.
- D241,006 S 8/1976 Wallace

1 Claim, 9 Drawing Sheets



(56)

References Cited

U.S. PATENT DOCUMENTS

5,897,661 A 4/1999 Baranovsky et al.
 D427,533 S 7/2000 Cowan et al.
 D429,655 S 8/2000 Cowan et al.
 D435,471 S 12/2000 Simbeck et al.
 6,183,274 B1 2/2001 Allum
 6,186,842 B1 2/2001 Hirschbold et al.
 D439,535 S 3/2001 Cowan et al.
 D443,541 S 6/2001 Hancock et al.
 D455,066 S 4/2002 Kolinen
 D458,863 S 6/2002 Harding et al.
 D459,259 S 6/2002 Harding et al.
 6,476,595 B1 11/2002 Heuell et al.
 6,476,729 B1 11/2002 Liu
 6,513,091 B1 1/2003 Blackmon et al.
 6,654,842 B1 11/2003 Park
 6,737,855 B2 5/2004 Huber et al.
 6,745,138 B2 6/2004 Przydatek et al.
 6,792,364 B2 9/2004 Jonker et al.
 6,798,191 B1 9/2004 Macfarlane et al.
 6,885,185 B1 4/2005 Makinson et al.
 6,983,211 B2 1/2006 Macfarlane et al.
 7,009,379 B2 3/2006 Ramirez
 D525,893 S 8/2006 Kagan et al.
 D526,920 S 8/2006 Kagan et al.
 D545,181 S 6/2007 Kagan et al.
 7,256,709 B2 8/2007 Kagan
 7,265,532 B2 9/2007 Karanam et al.
 7,271,996 B2 9/2007 Kagan et al.
 7,274,187 B2 9/2007 Loy
 7,417,419 B2 8/2008 Tate
 7,554,320 B2 6/2009 Kagan
 D615,895 S 5/2010 Beattie
 7,868,782 B2 1/2011 Ehrke et al.
 D642,083 S 7/2011 Blanc et al.
 7,994,934 B2 8/2011 Kagan
 D653,572 S 2/2012 Ohtani et al.
 8,176,174 B2 5/2012 Kagan
 D666,933 S 9/2012 Hoffman et al.
 8,310,403 B2 11/2012 Nahar
 8,325,057 B2 12/2012 Salter
 D682,720 S 5/2013 Kagan et al.
 D682,721 S 5/2013 Kagan et al.
 8,587,949 B2 11/2013 Banhegyesi et al.
 D695,207 S 12/2013 Dams
 D703,077 S 4/2014 Kagan et al.

D703,563 S 4/2014 Kagan et al.
 8,717,007 B2 5/2014 Banhegyesi
 D706,659 S 6/2014 Banhegyesi et al.
 D706,660 S 6/2014 Banhegyesi et al.
 D708,082 S 7/2014 Banhegyesi et al.
 D708,533 S 7/2014 Banhegyesi et al.
 D712,289 S 9/2014 Kagan et al.
 D712,290 S 9/2014 Kagan et al.
 D712,291 S 9/2014 Kagan et al.
 D753,003 S * 4/2016 Banhegyesi D10/100
 2001/0027500 A1 10/2001 Matsunaga
 2002/0162014 A1 10/2002 Przydatek et al.
 2003/0175025 A1 9/2003 Wantanabe et al.
 2004/0138786 A1 7/2004 Blackett et al.
 2004/0193329 A1 9/2004 Ransom et al.
 2005/0273281 A1 12/2005 Wall et al.
 2006/0070416 A1 4/2006 Teratani
 2007/0067119 A1 3/2007 Loewen et al.
 2012/0010831 A1 1/2012 Kagan
 2014/0180613 A1 6/2014 Banhegyesi et al.

OTHER PUBLICATIONS

Nexus 1262/1272 High Performance Utility Billing Meters With Communication & Advanced Power Quality, Electro Industries/Gaugetech, Jun. 12, 2012 pp. 1-12.
 Jemstar High Accuracy Revenue Meter for Generation, Transmission, and Industrial Power Measurement, Ametek Power Instruments, 2012, pp. 1-2.
 Jemstar Retrofit for Generation, Transmission, and Industrial Power Measurement, Ametek Power Instruments, 2007, pp. 1-2.
 Mark-V EMS60 Intelligent Energy Meter, Advanced High-Accuracy Meter With Integrated Data Telemetry Solutions and Power Quality Monitoring, Transdata Energy Metering and Automation, 2010, pp. 1-2.
 Nexus 1262/1272 Switchboard Meter Quick Start, Electro Industries-Gaugetech, Aug. 31, 2012, pp. 1-4.
 Powerlogic ION8650, Schneider Electric, 2011, pp. 1-12.
 IEEE Standard Common Format for Transient Data Exchange, Oct. 15, 1999, IEEE, pp. 1-55.
 Power Quality Standards Coordinating Committee, IEEE P1159.3/D9 Draft: Recommended Practice for the Transfer of Power Quality Data, Aug. 1, 2002, IEEE Standards Activities Department, pp. 1-129.
 Anderson, D., USB System Architecture, Nov. 2000, Addison-Wesley Professional, 9th Printing, pp. 22-23.

* cited by examiner

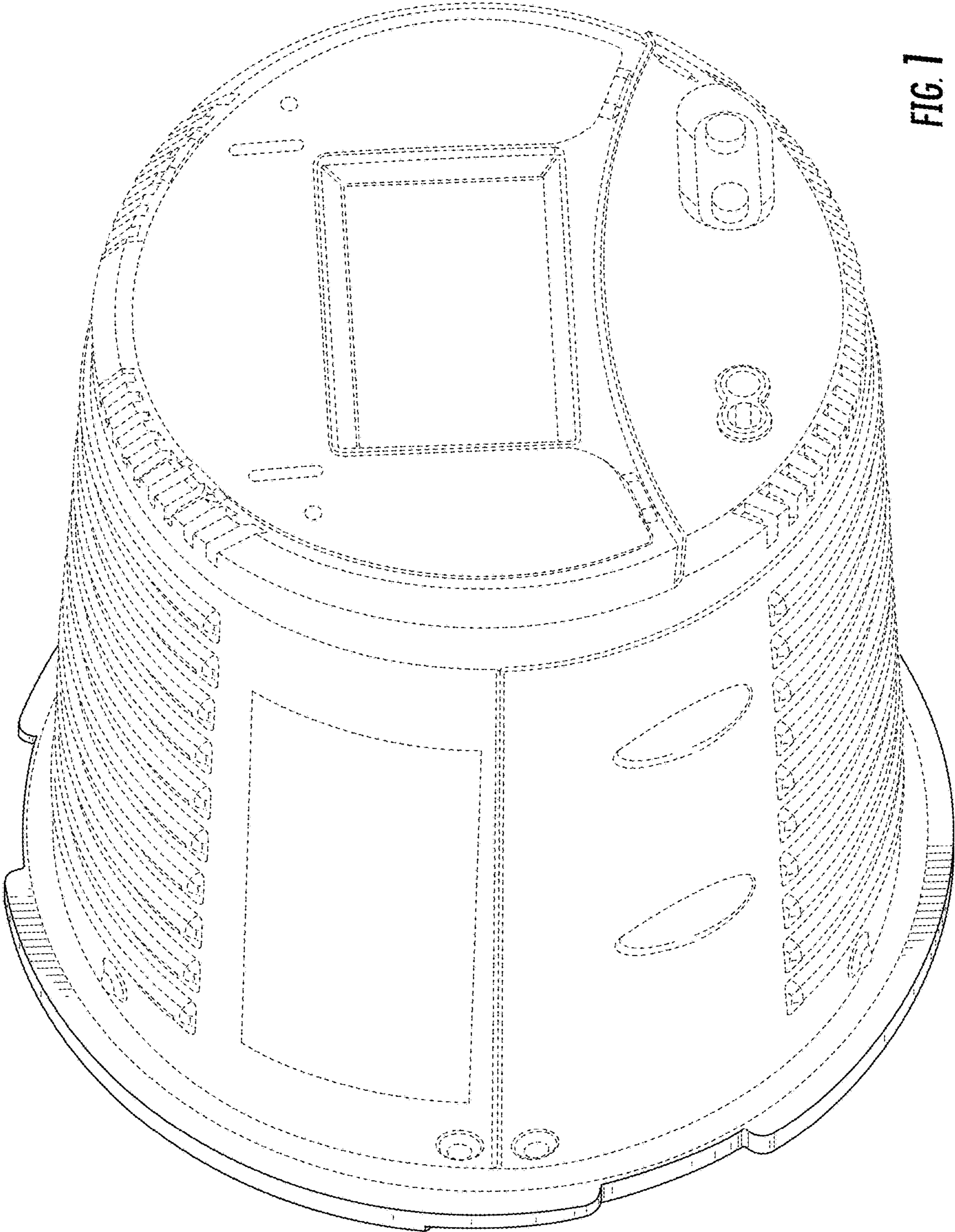


FIG. 1

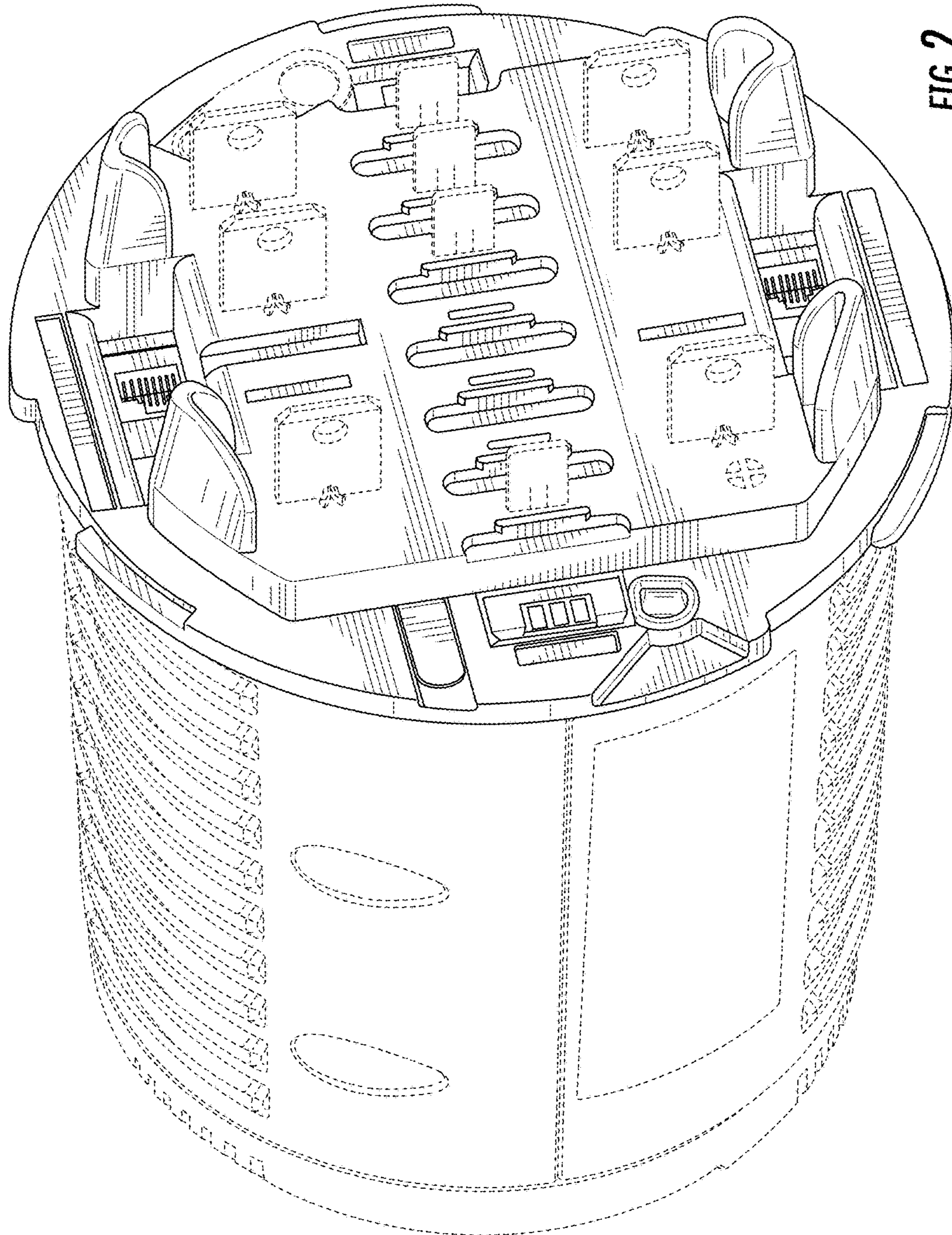


FIG. 2

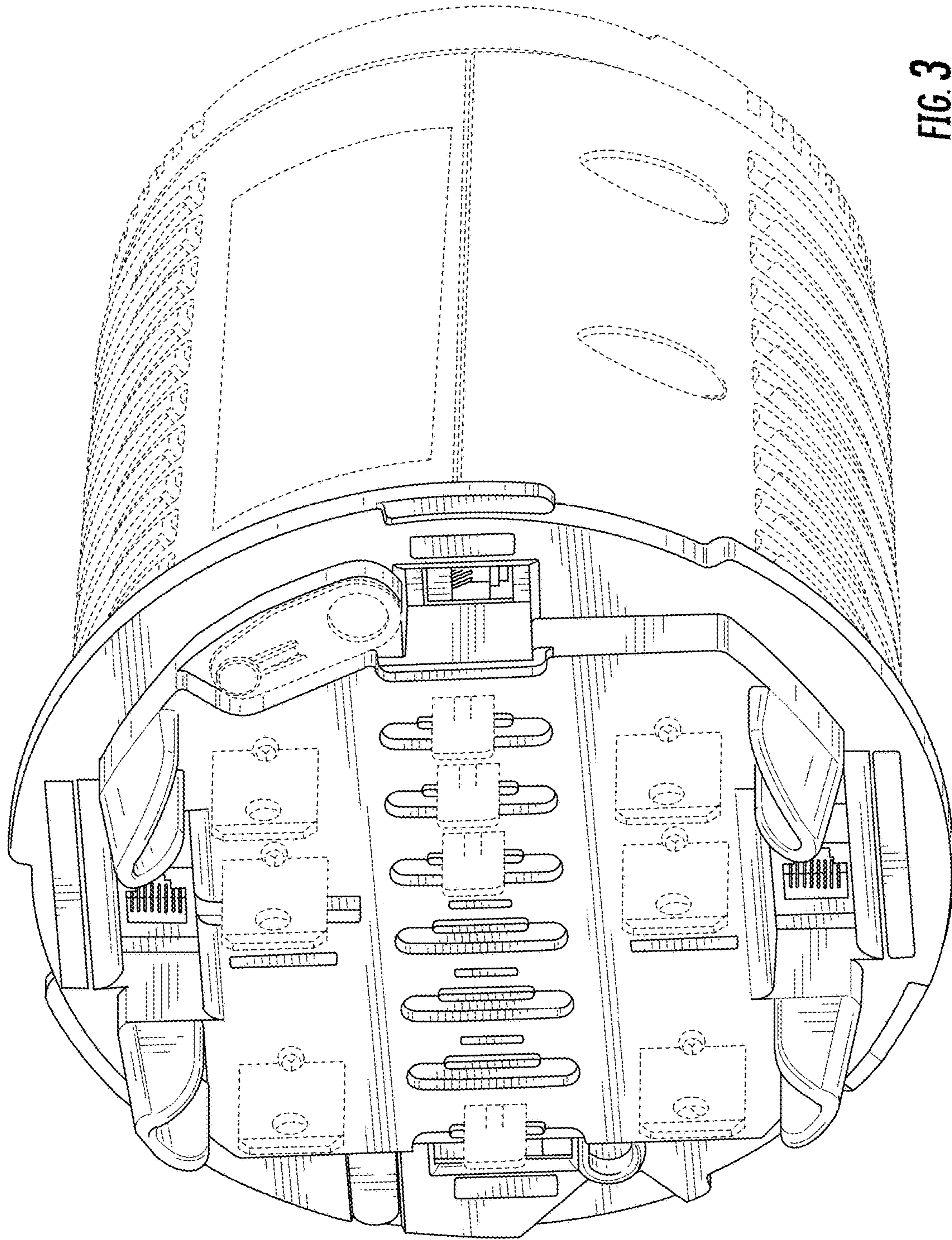


FIG. 3

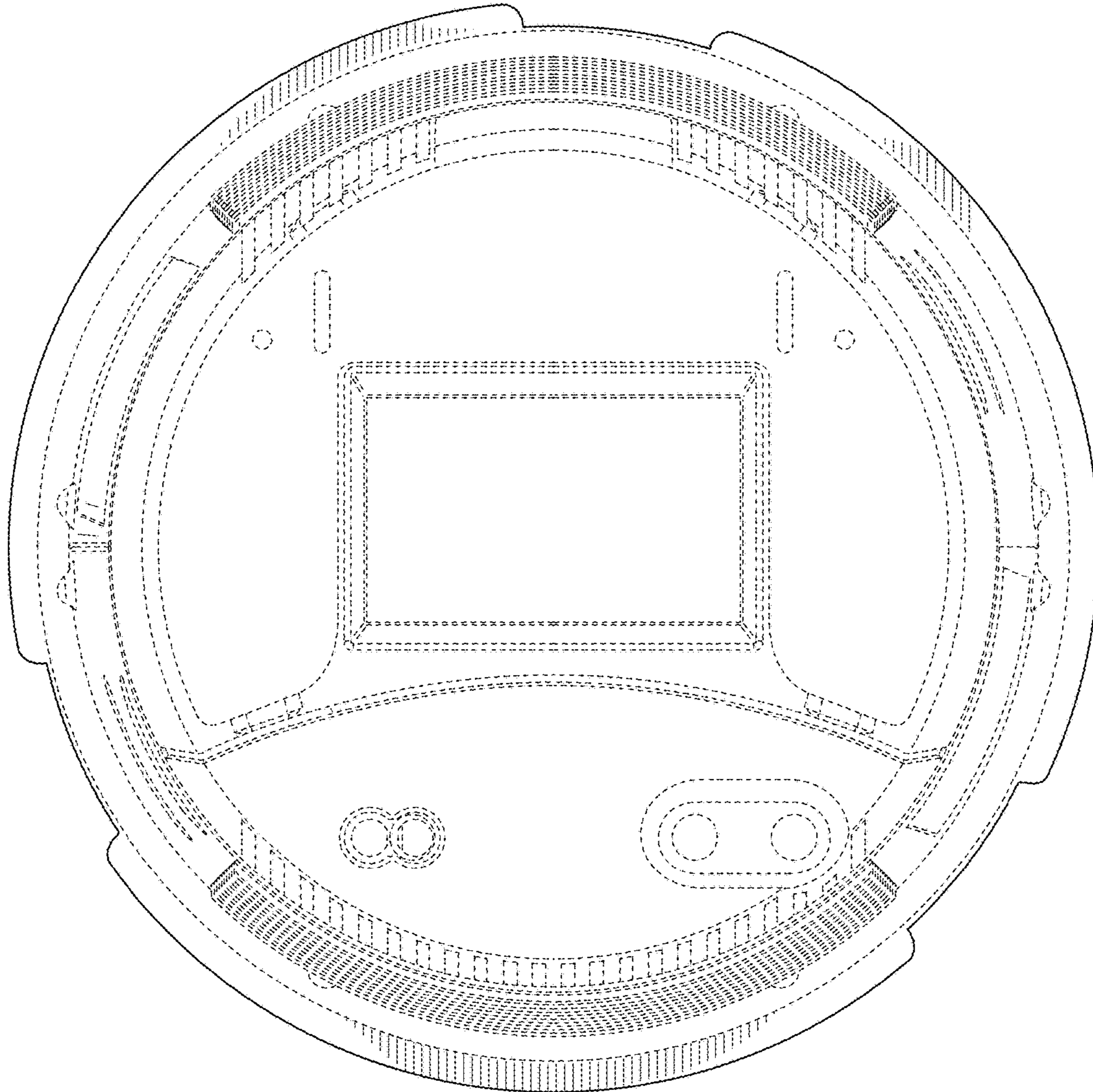


FIG. 4

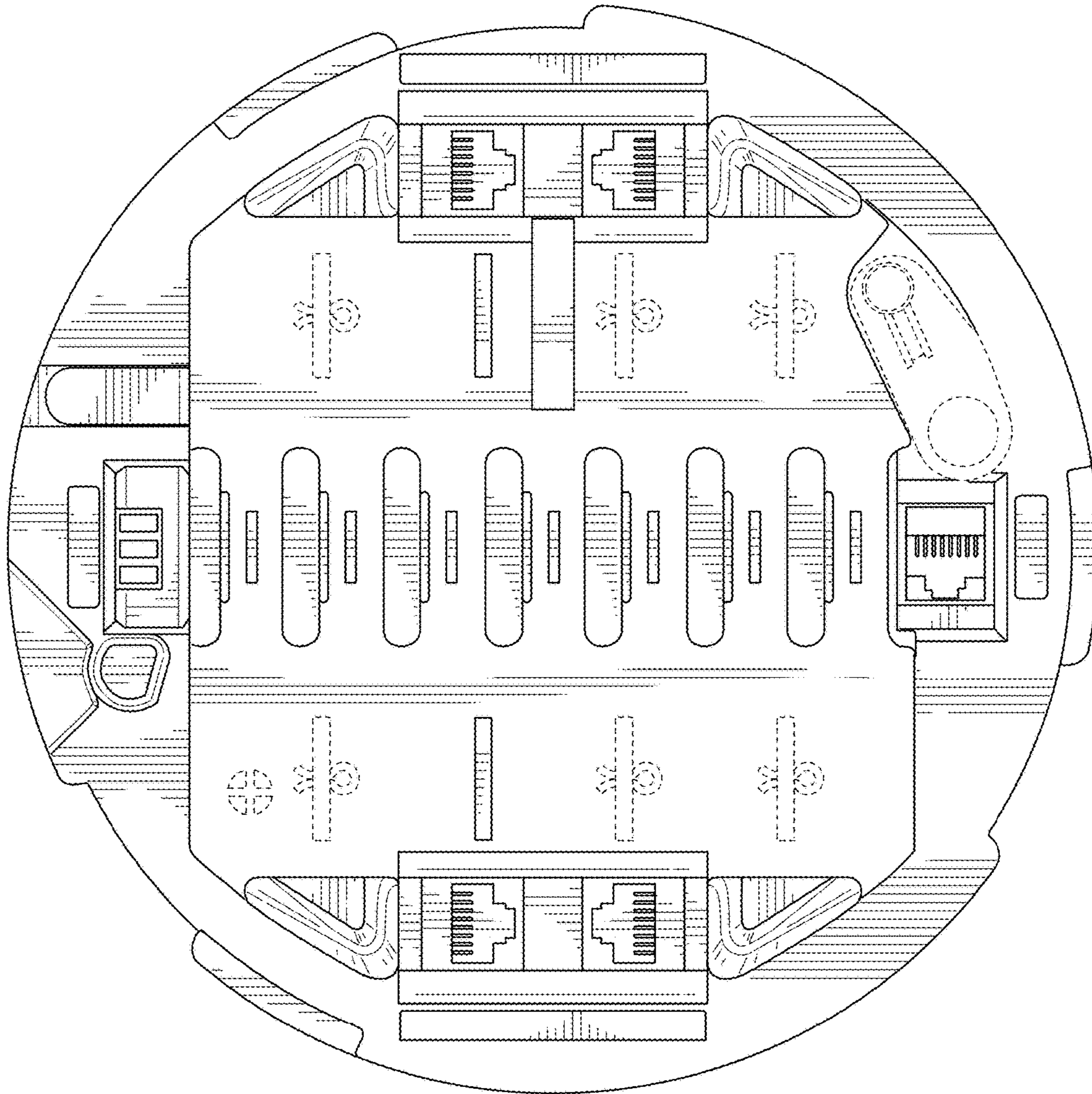


FIG. 5

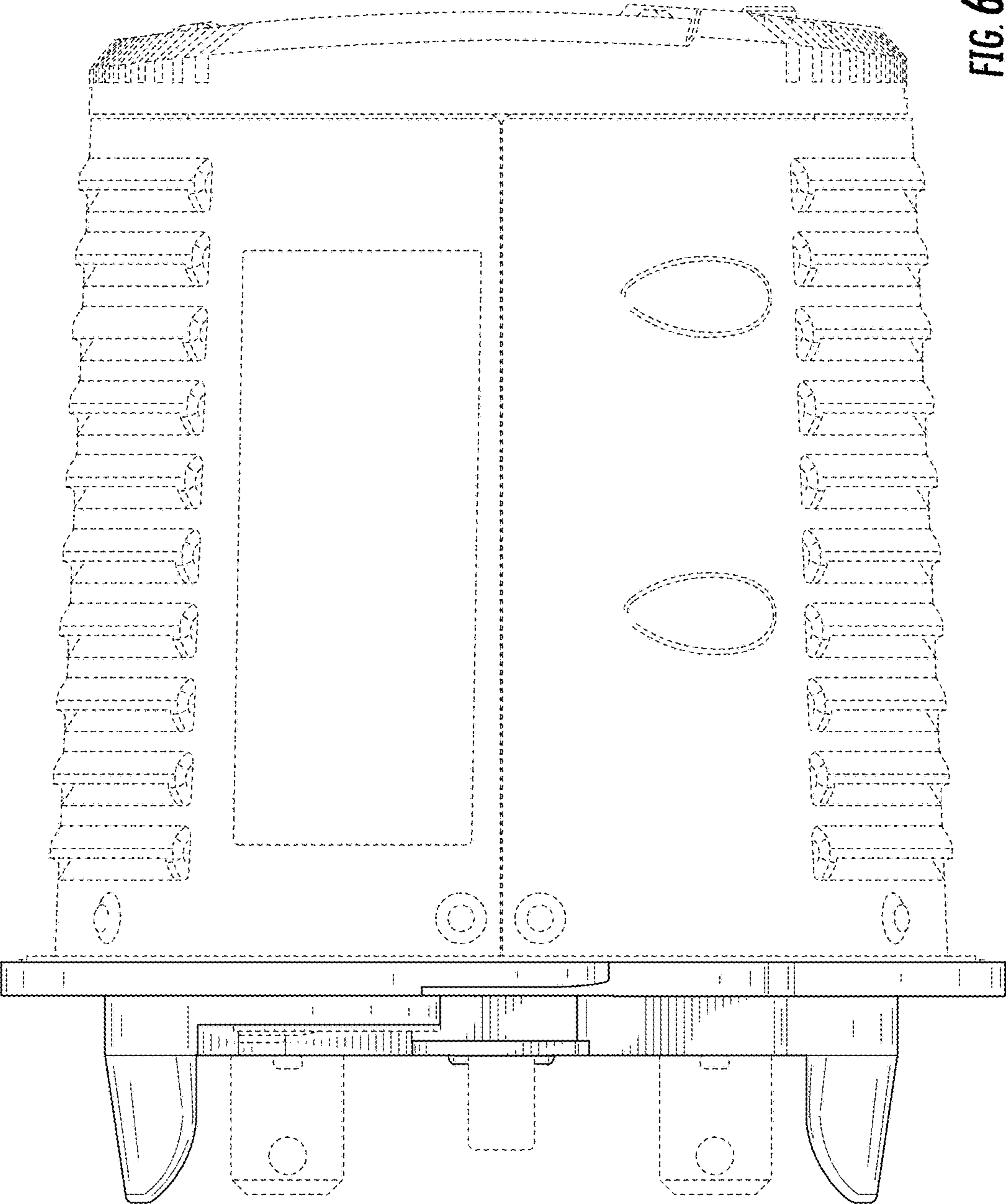


FIG. 6

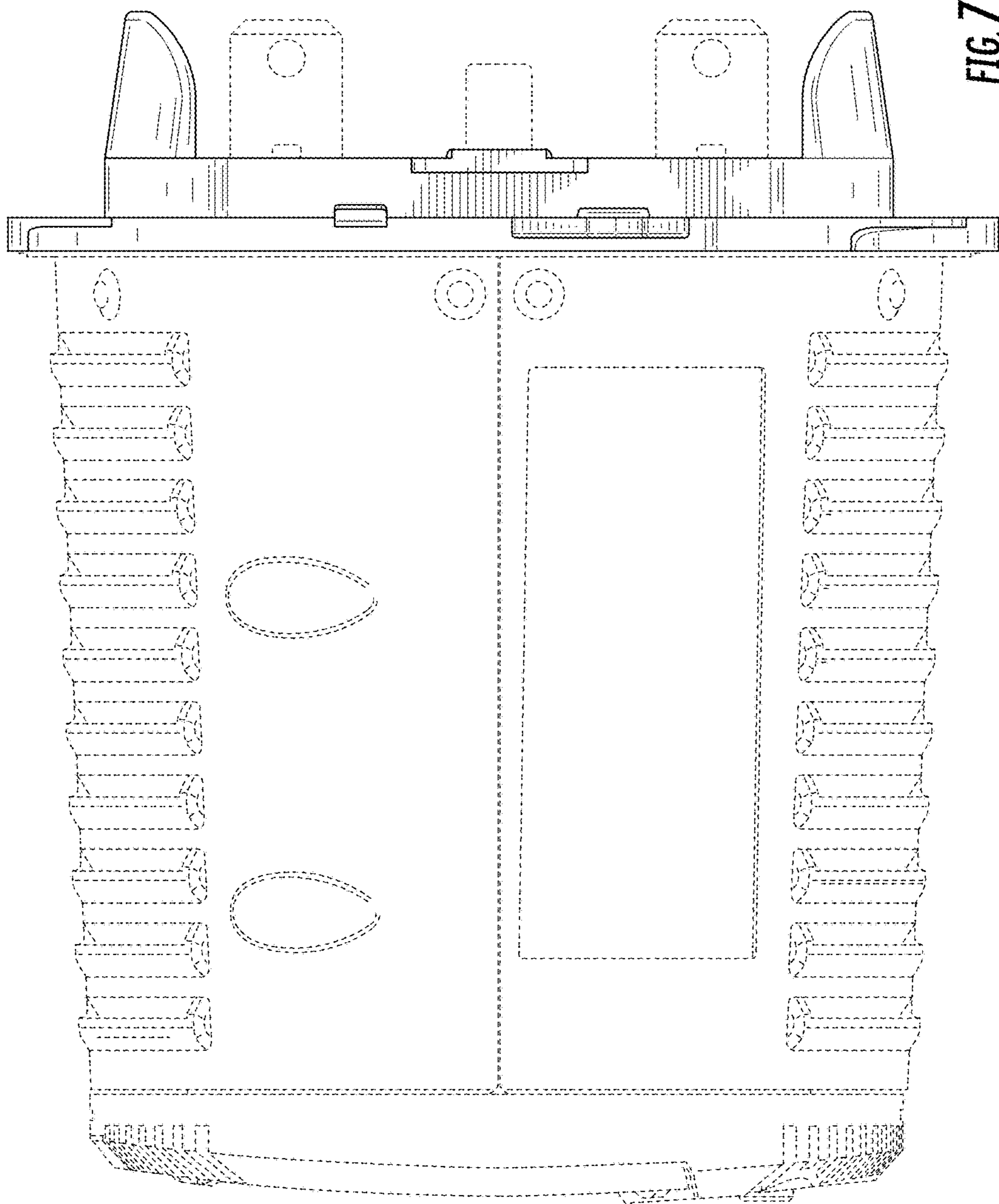


FIG. 7

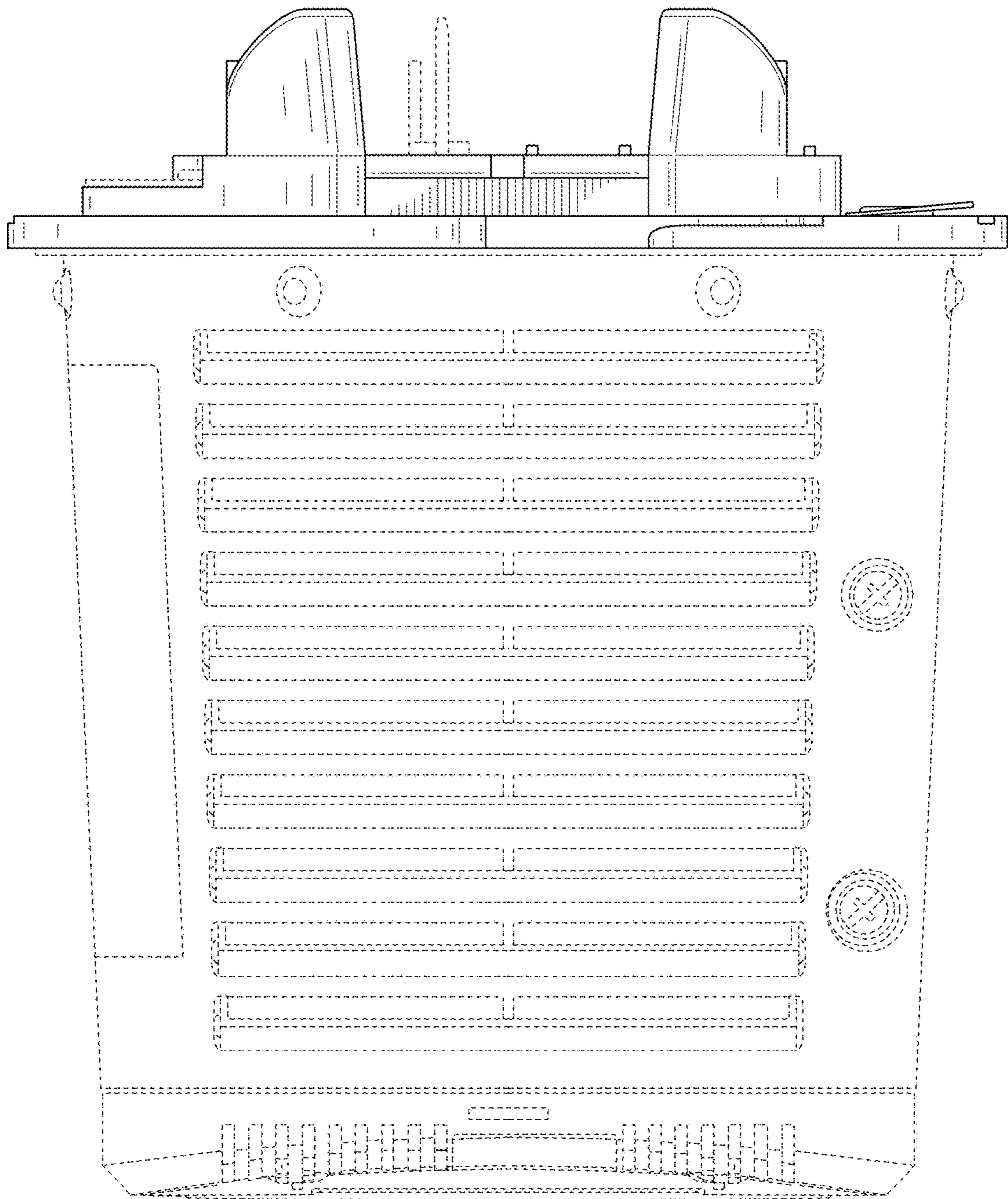


FIG. 8

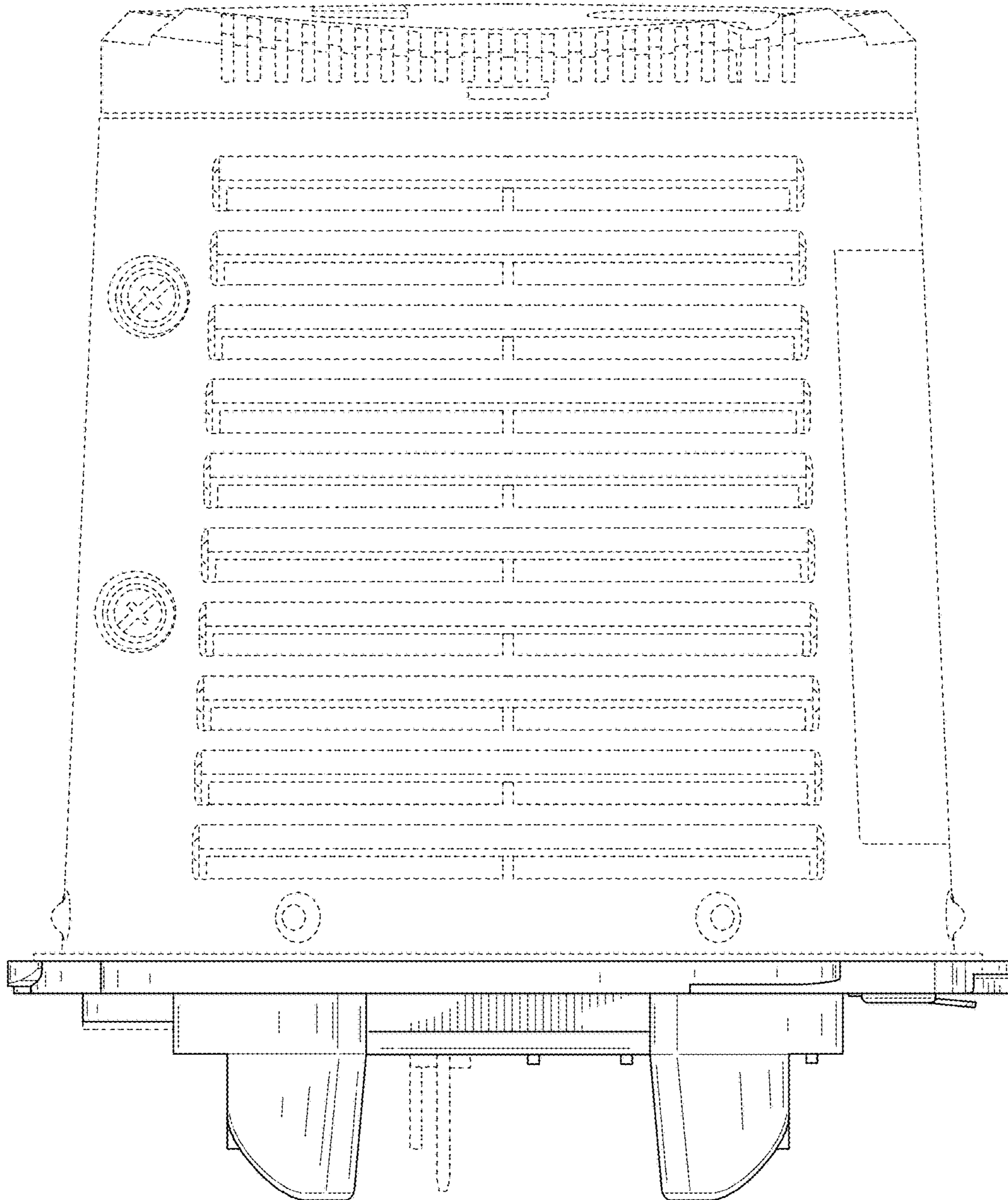


FIG. 9