



US00D808835S

(12) **United States Design Patent**
Held

(10) **Patent No.:** **US D808,835 S**

(45) **Date of Patent:** **** Jan. 30, 2018**

- (54) **ACCESSORY FOR WEIGHING INSTRUMENT**
- (71) Applicant: **Mettler-Toledo GmbH**, Greifensee (CH)
- (72) Inventor: **Fred Held**, Hamburg (DE)
- (73) Assignee: **Mettler-Toledo GmbH**, Greifensee (CH)
- (**) Term: **15 Years**
- (21) Appl. No.: **29/561,271**
- (22) Filed: **Apr. 14, 2016**
- (30) **Foreign Application Priority Data**
Nov. 10, 2015 (EM) 002853283
- (51) **LOC (11) Cl.** **10-04**
- (52) **U.S. Cl.**
USPC **D10/94**
- (58) **Field of Classification Search**
USPC D10/91, 94
CPC G01G 21/14; G01G 21/16; G01G 21/161; G01G 21/162; G01G 21/163; G01G 21/165; G01G 21/166; G01G 21/167; G01G 21/168; G01G 21/18; G01G 21/182; G01G 21/184; G01G 21/186; G01G 21/188; G01G 21/20; G01G 21/22; G01G 21/23
See application file for complete search history.

- 5,883,336 A * 3/1999 Jones G01G 15/00 141/83
- D522,392 S * 6/2006 Tse D10/91
- D595,171 S * 6/2009 Robinson D10/91
- D674,298 S * 1/2013 Hillel D10/94
- D748,513 S 2/2016 Held

* cited by examiner

Primary Examiner — Antoine Duval Davis
(74) *Attorney, Agent, or Firm* — Standley Law Group LLP

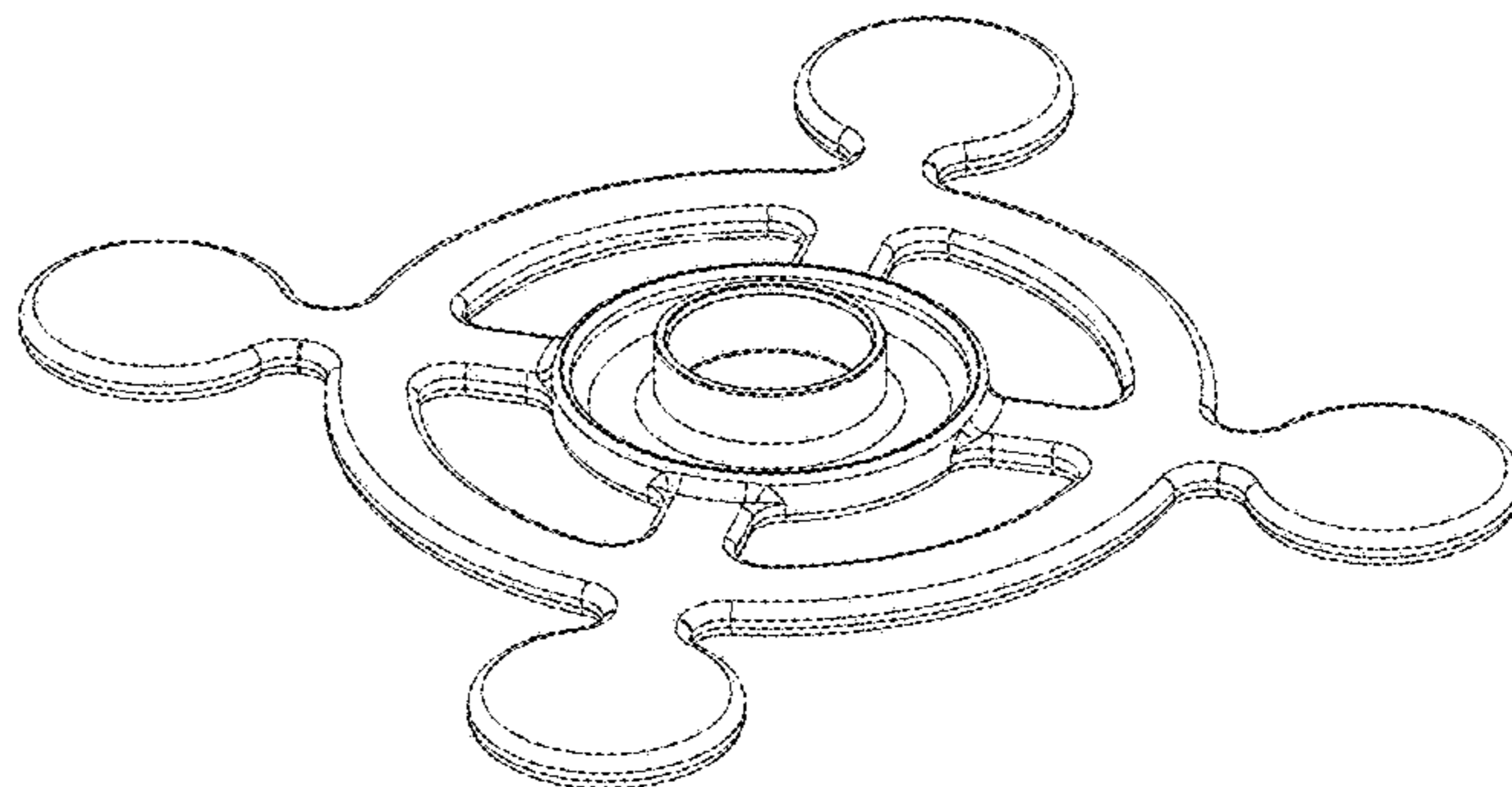
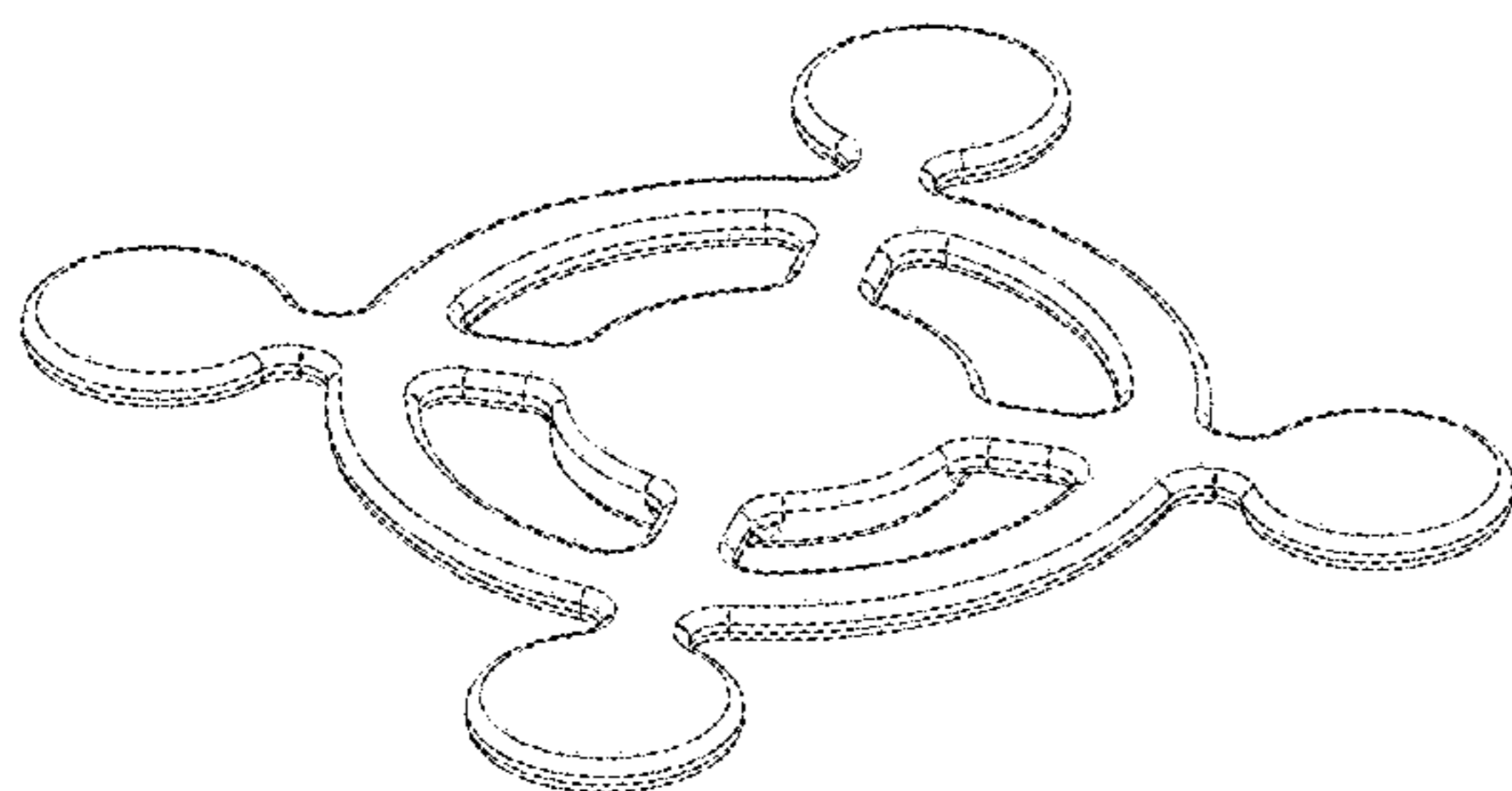
(57) **CLAIM**

The ornamental design for an accessory for weighing instrument, as shown.

DESCRIPTION

FIG. 1 is a top perspective view of the accessory for weighing instrument;
FIG. 2 is a bottom perspective view thereof;
FIG. 3 is a top plan view thereof, the intersecting broken lines illustrating two co-planar axes of symmetry;
FIG. 4 is a bottom plan view thereof, also showing the axes of symmetry;
FIG. 5 is a side elevation view thereof, along either of the two co-planar axes of symmetry, with a third axis of symmetry, normal to the first two axes, shown in broken lines; and,
FIG. 6 is a top perspective view thereof, in operative position on a weighing instrument, which is shown in broken lining as unclaimed environmental subject matter.

1 Claim, 6 Drawing Sheets



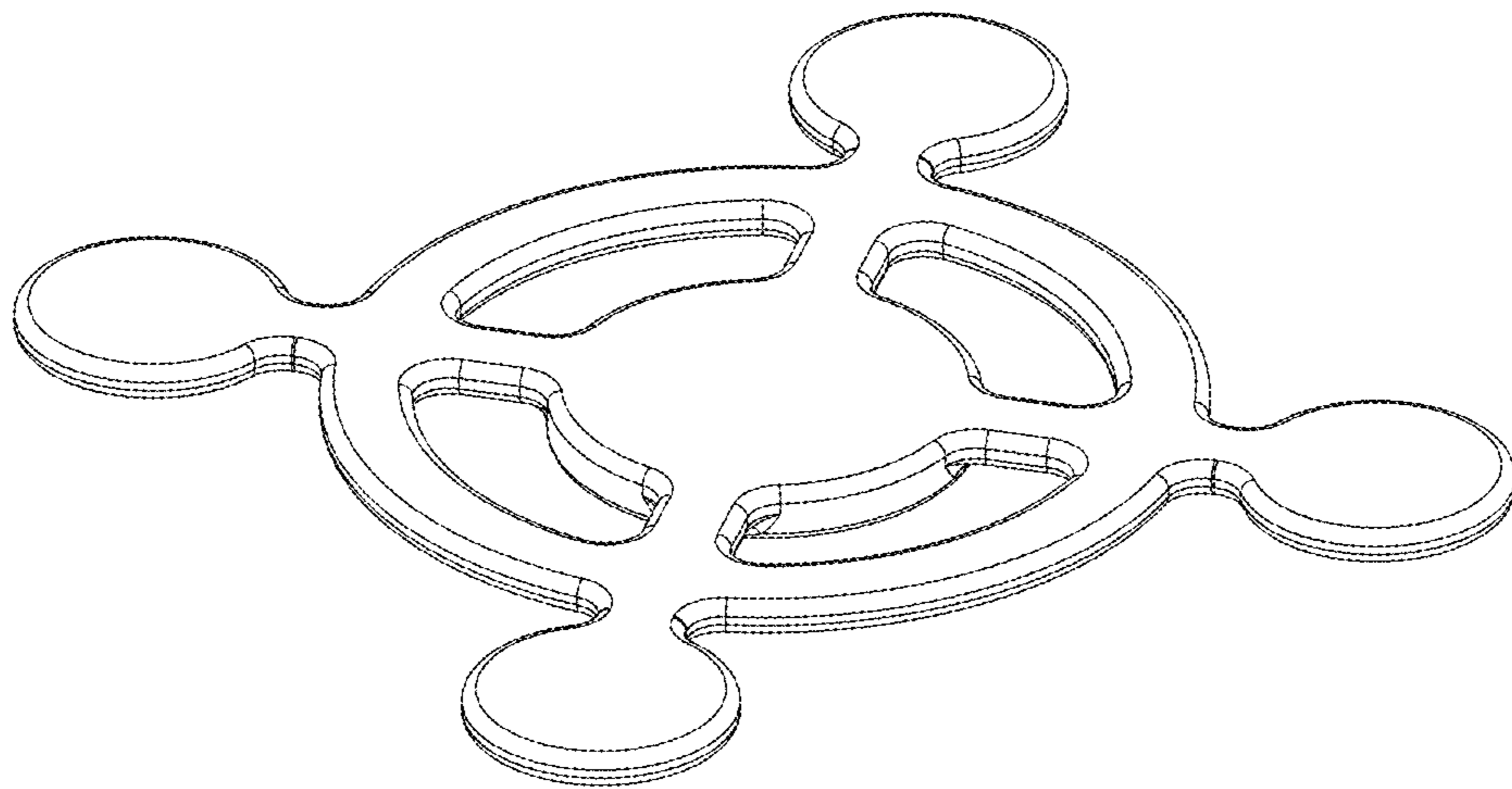


FIG. 1

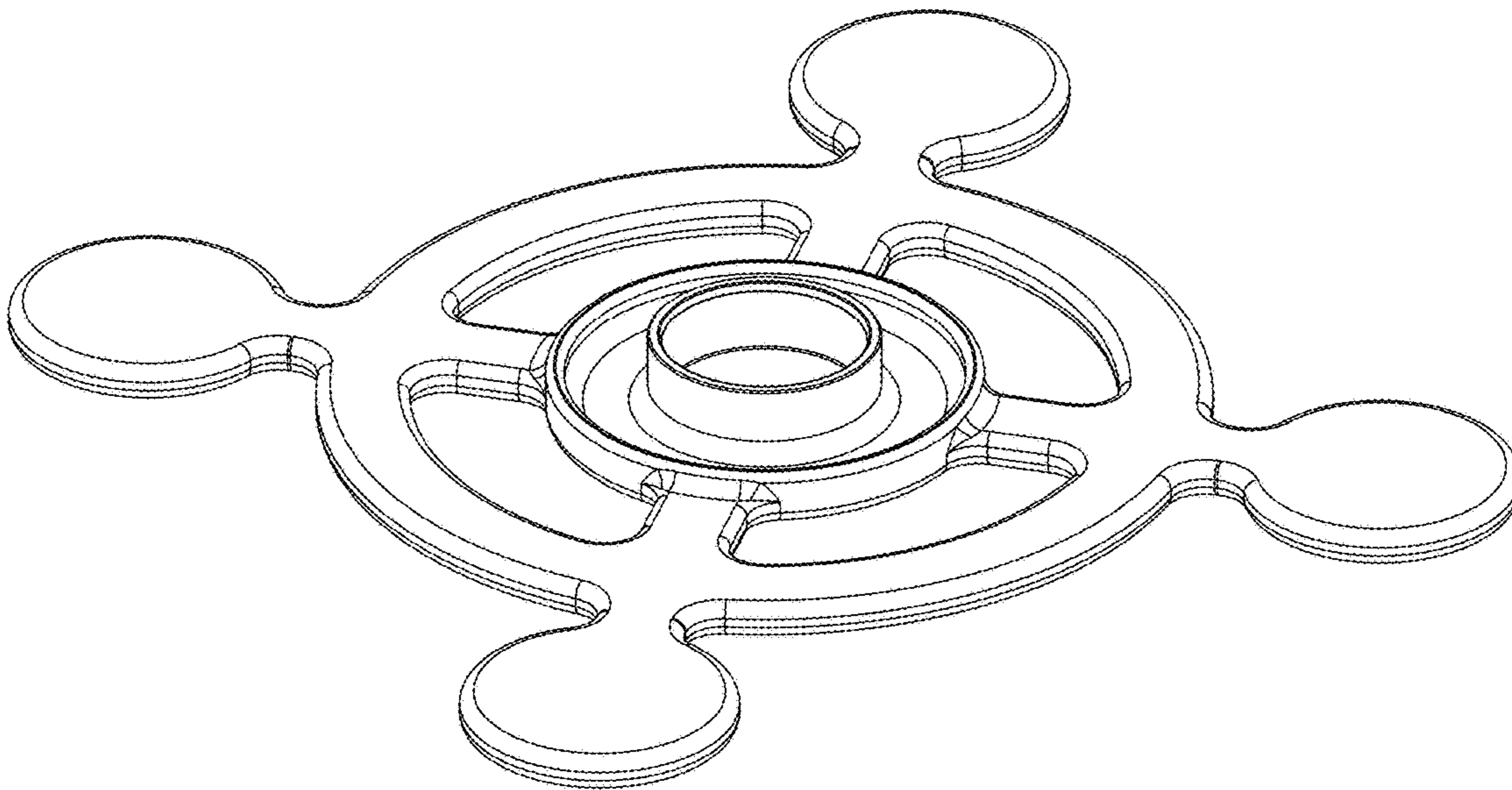


FIG. 2

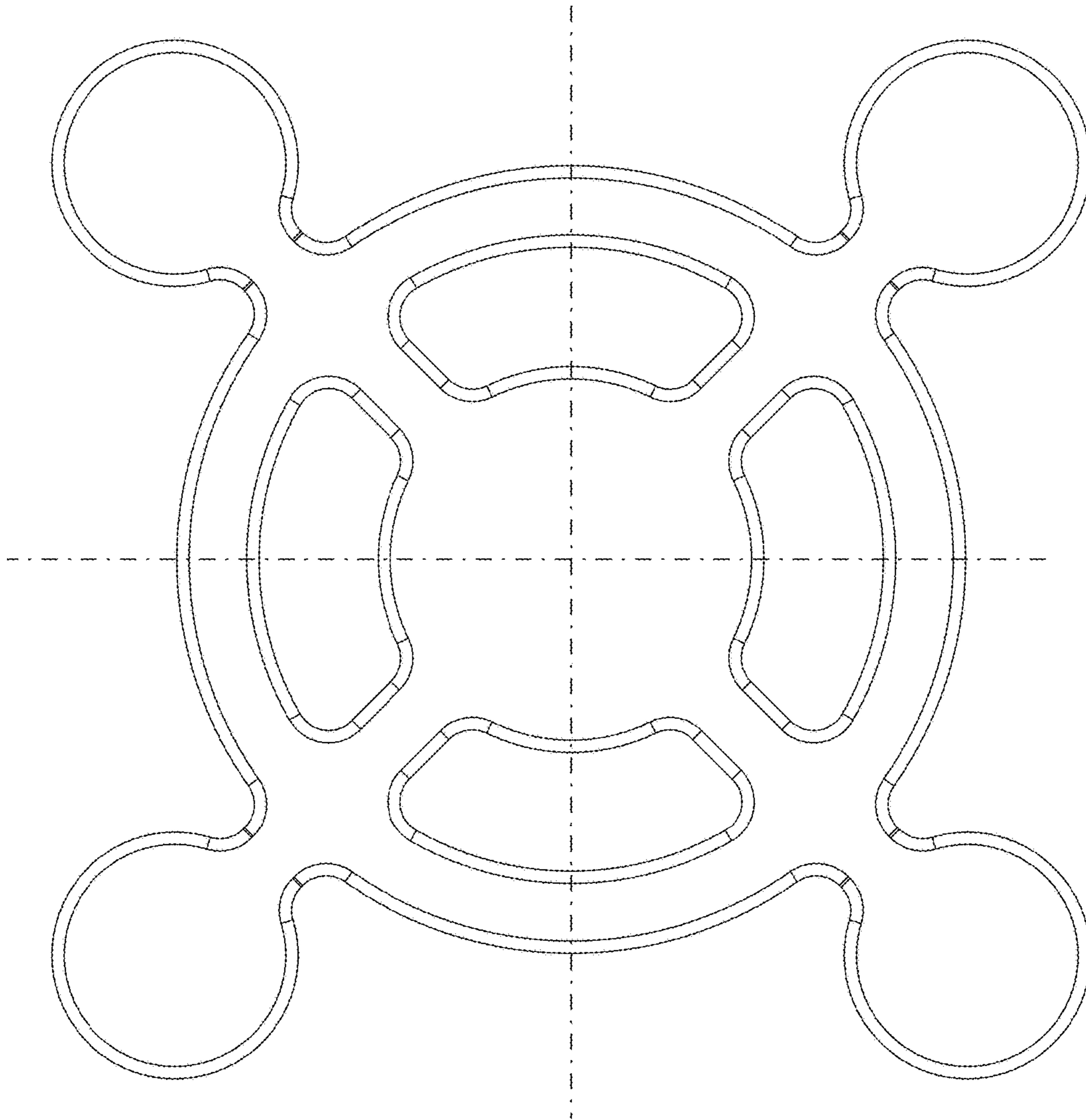


FIG. 3

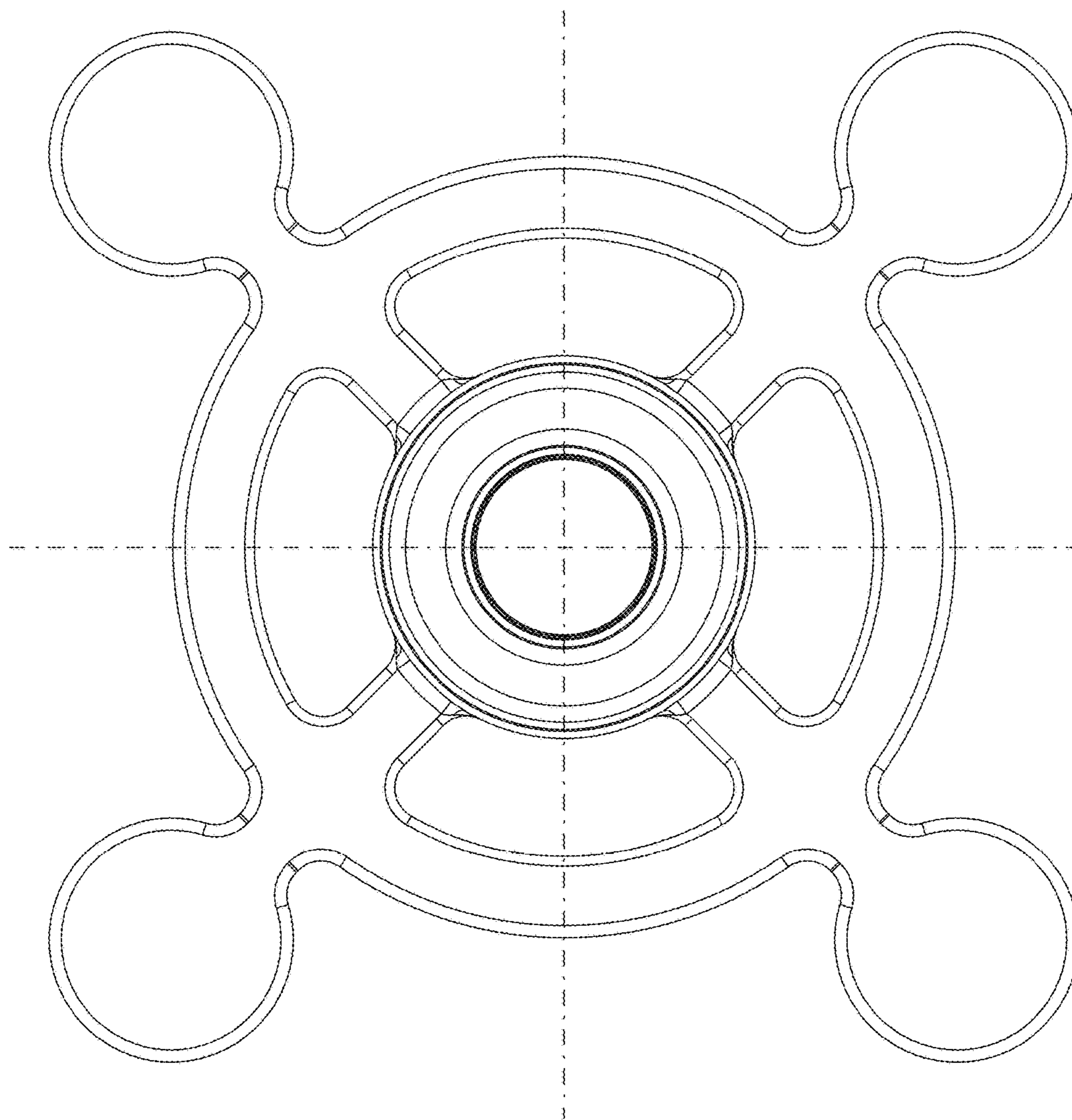


FIG. 4

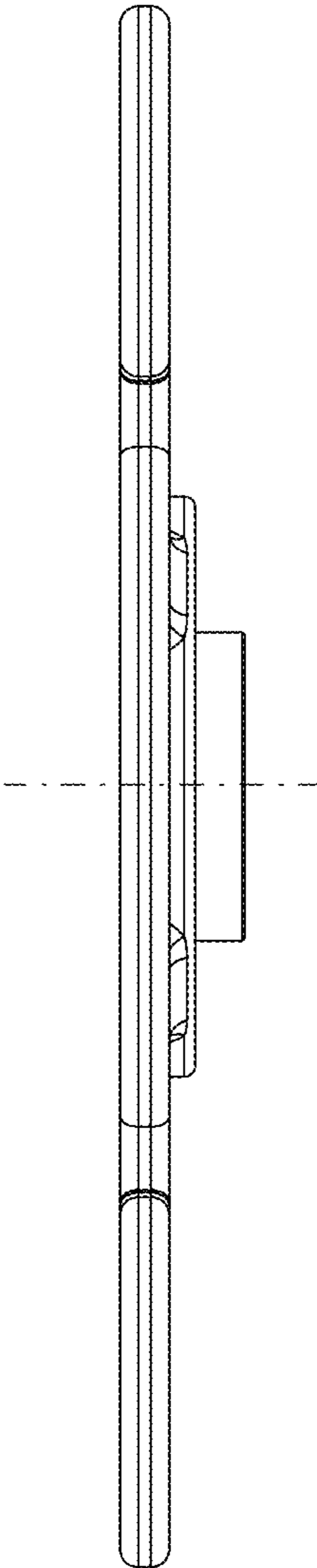


FIG. 5

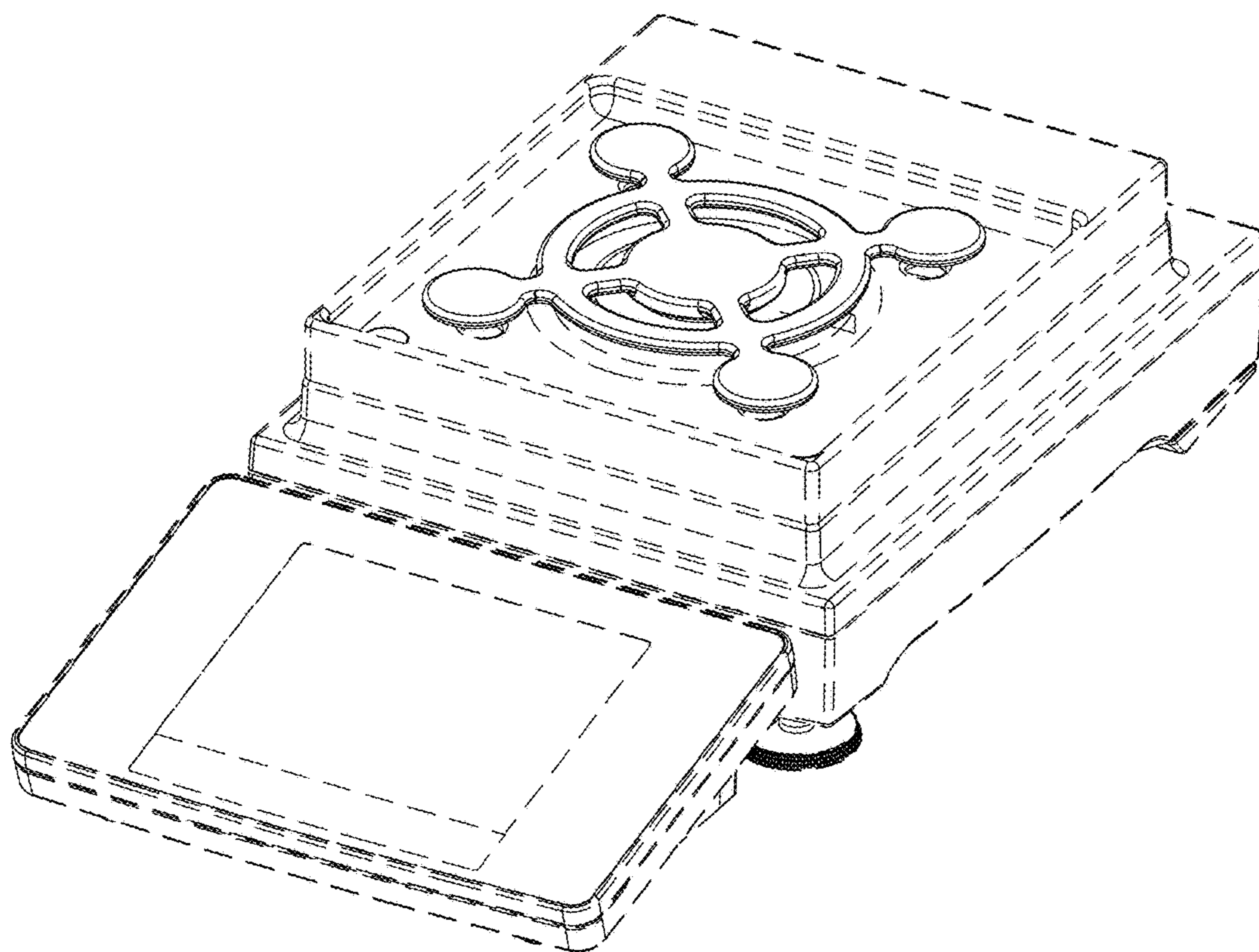


FIG. 6