



US00D808834S

(12) **United States Design Patent**
Chen

(10) **Patent No.:** **US D808,834 S**

(45) **Date of Patent:** **** Jan. 30, 2018**

(54) **TIRE GAUGE**

(71) Applicant: **Vic Chen**, Changhua County (TW)

(72) Inventor: **Vic Chen**, Changhua County (TW)

(73) Assignee: **LEMATEC CO., LTD.**, Changhua County (TW)

(**) Term: **15 Years**

(21) Appl. No.: **29/578,608**

(22) Filed: **Sep. 22, 2016**

(51) **LOC (11) Cl.** **10-04**

(52) **U.S. Cl.**
USPC **D10/86**

(58) **Field of Classification Search**
USPC D10/86
CPC G01L 7/043; G01L 7/00-7/24; G01L 13/00-13/06; G01L 15/00; G01L 17/00-17/005; G01L 19/00-19/16; G01L 23/00-23/32; G01L 27/00-23/02; B60C 11/243; B60C 23/02-23/0498; G01M 17/00-17/005; G05D 16/00-16/2093; G05D 7/00-7/0694; G05D 11/00-11/16; G05D 13/00-13/66; G05D 23/00-23/32

See application file for complete search history.

(56) **References Cited**

U.S. PATENT DOCUMENTS

D573,052 S * 7/2008 Chen D10/86
D599,689 S * 9/2009 Chen D10/86

* cited by examiner

Primary Examiner — Antoine Duval Davis

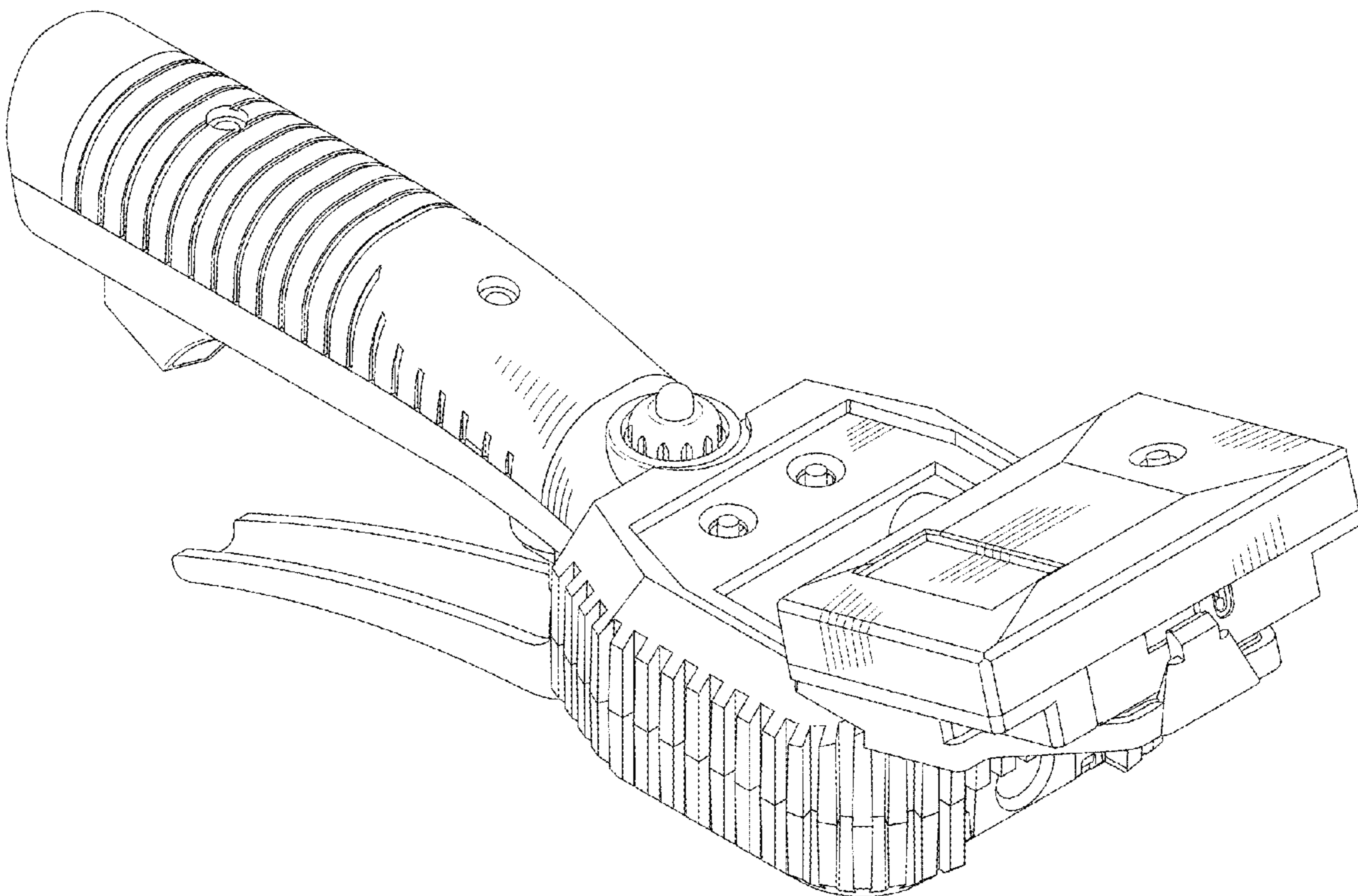
(57) **CLAIM**

I claim the ornamental design for a tire gauge, as shown and described.

DESCRIPTION

FIG. 1 is a perspective view of a tire gauge, showing my new design;
FIG. 2 is a front elevational view thereof;
FIG. 3 is a rear elevational view thereof;
FIG. 4 is a left side elevational view thereof;
FIG. 5 is a right side elevational view thereof;
FIG. 6 is a top plan view thereof; and,
FIG. 7 is a bottom plan view thereof.

1 Claim, 7 Drawing Sheets



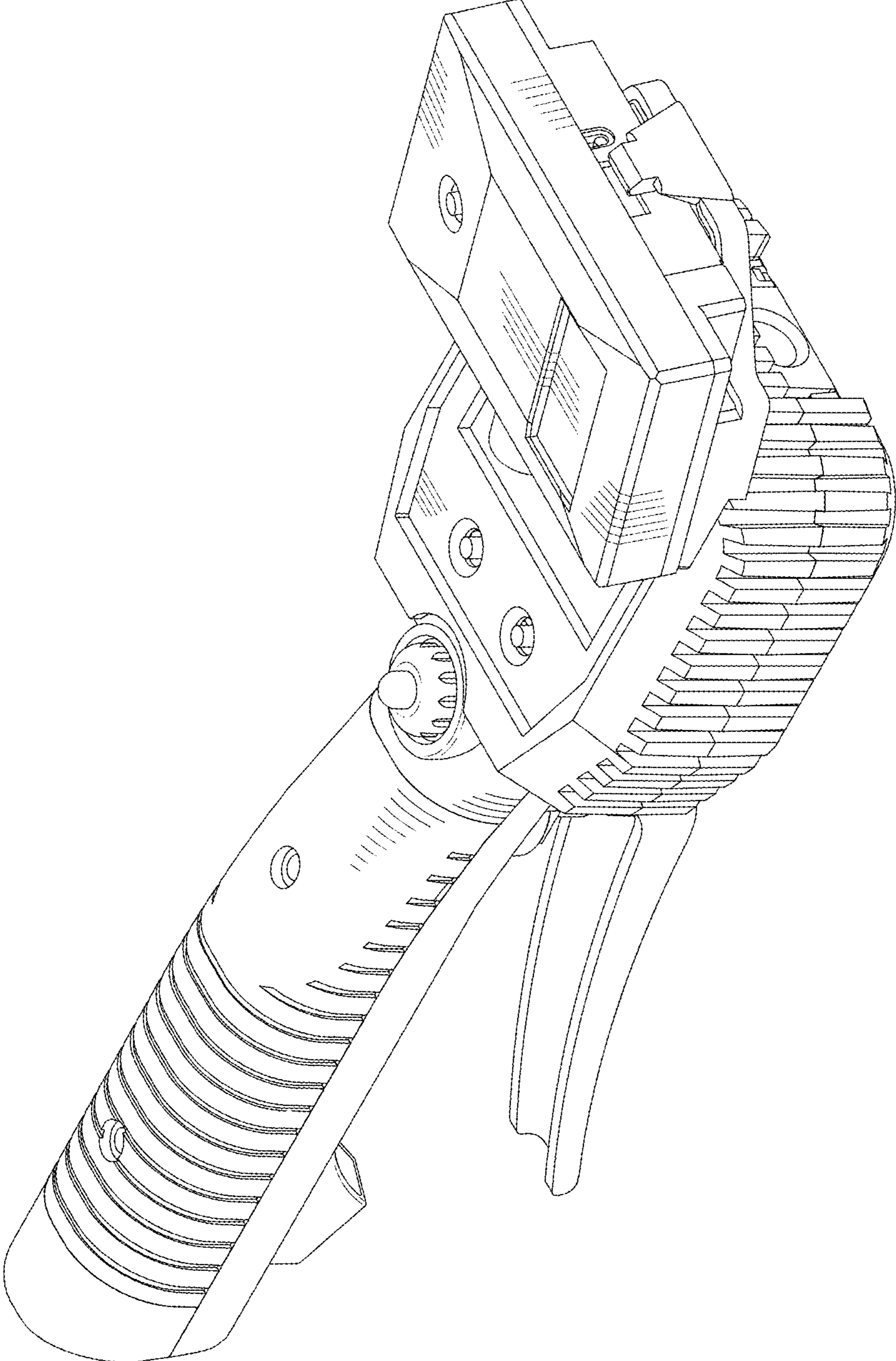


Fig. 1

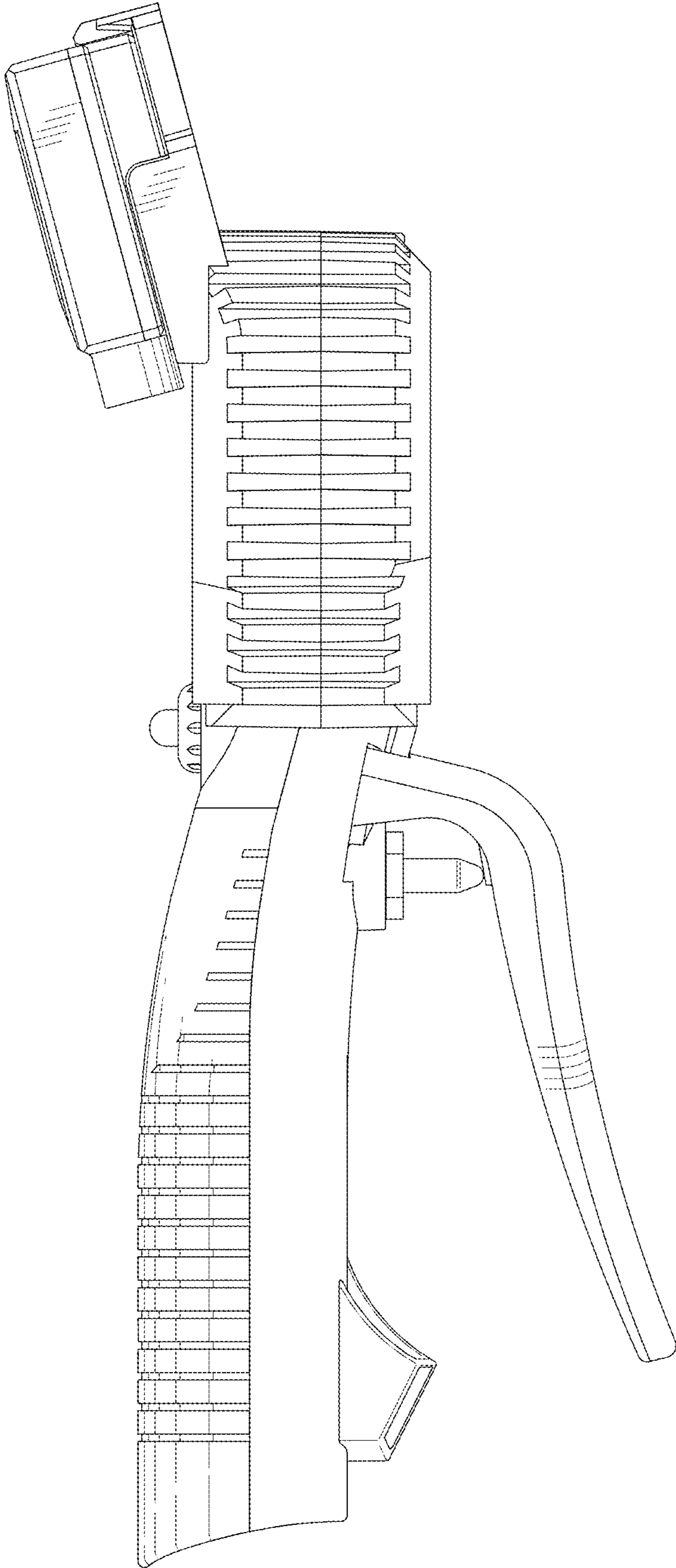


Fig. 2

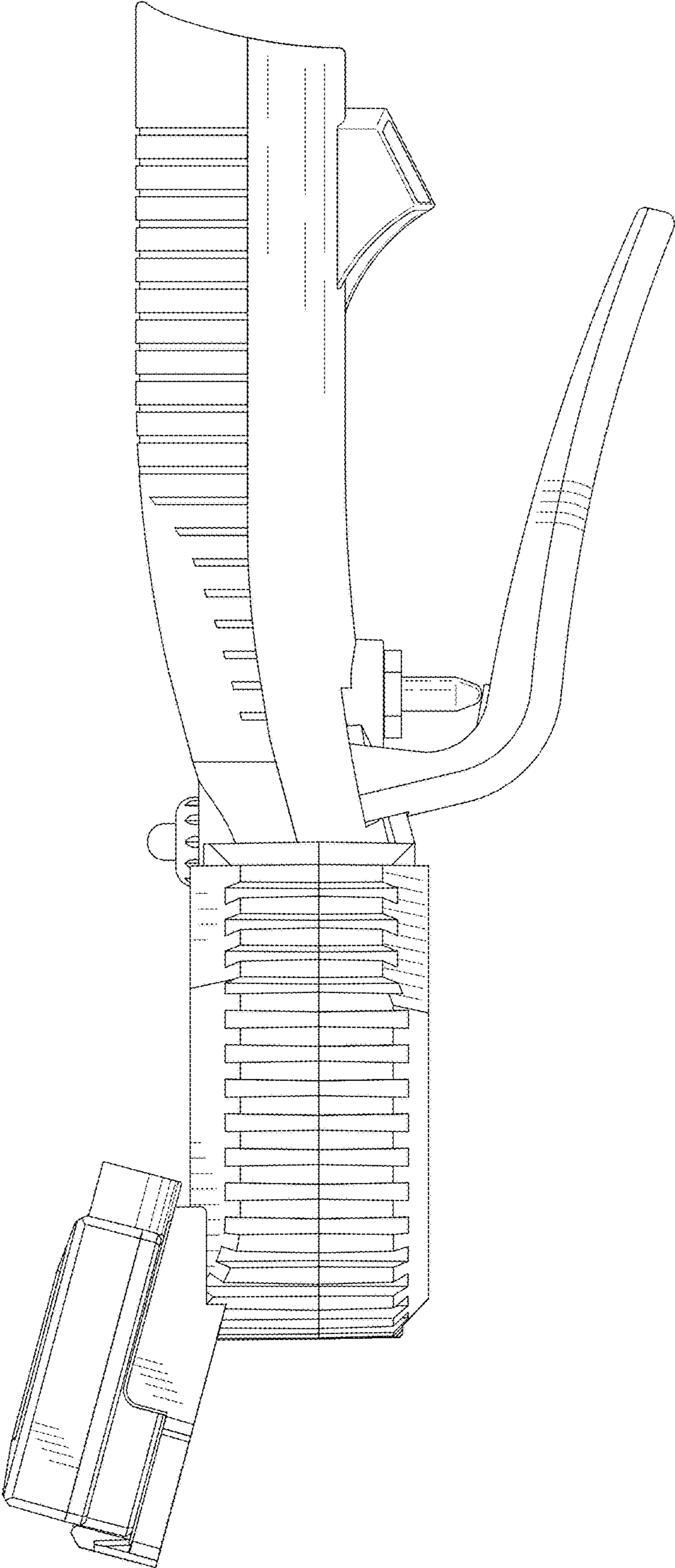


Fig. 3

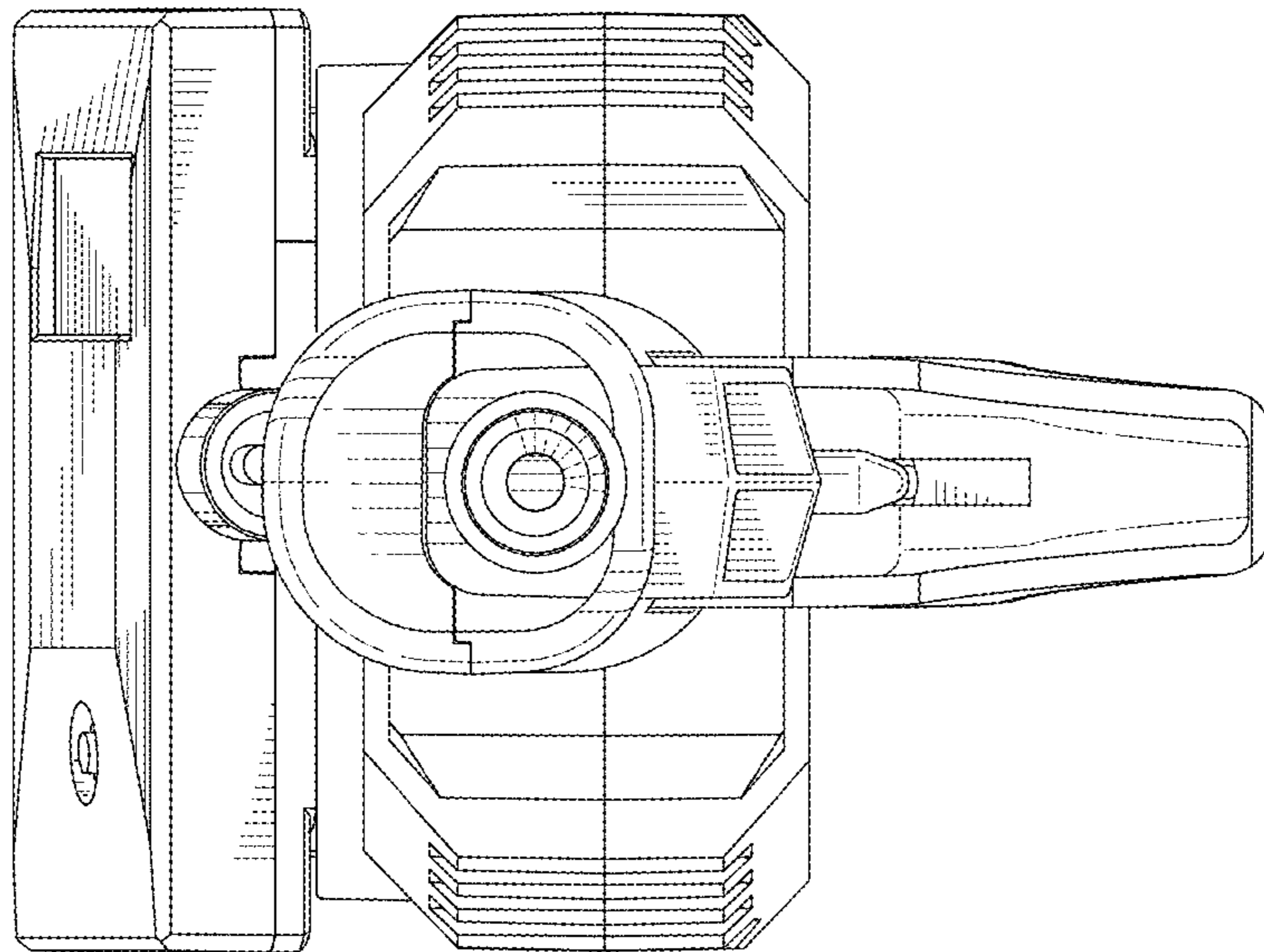


Fig. 4

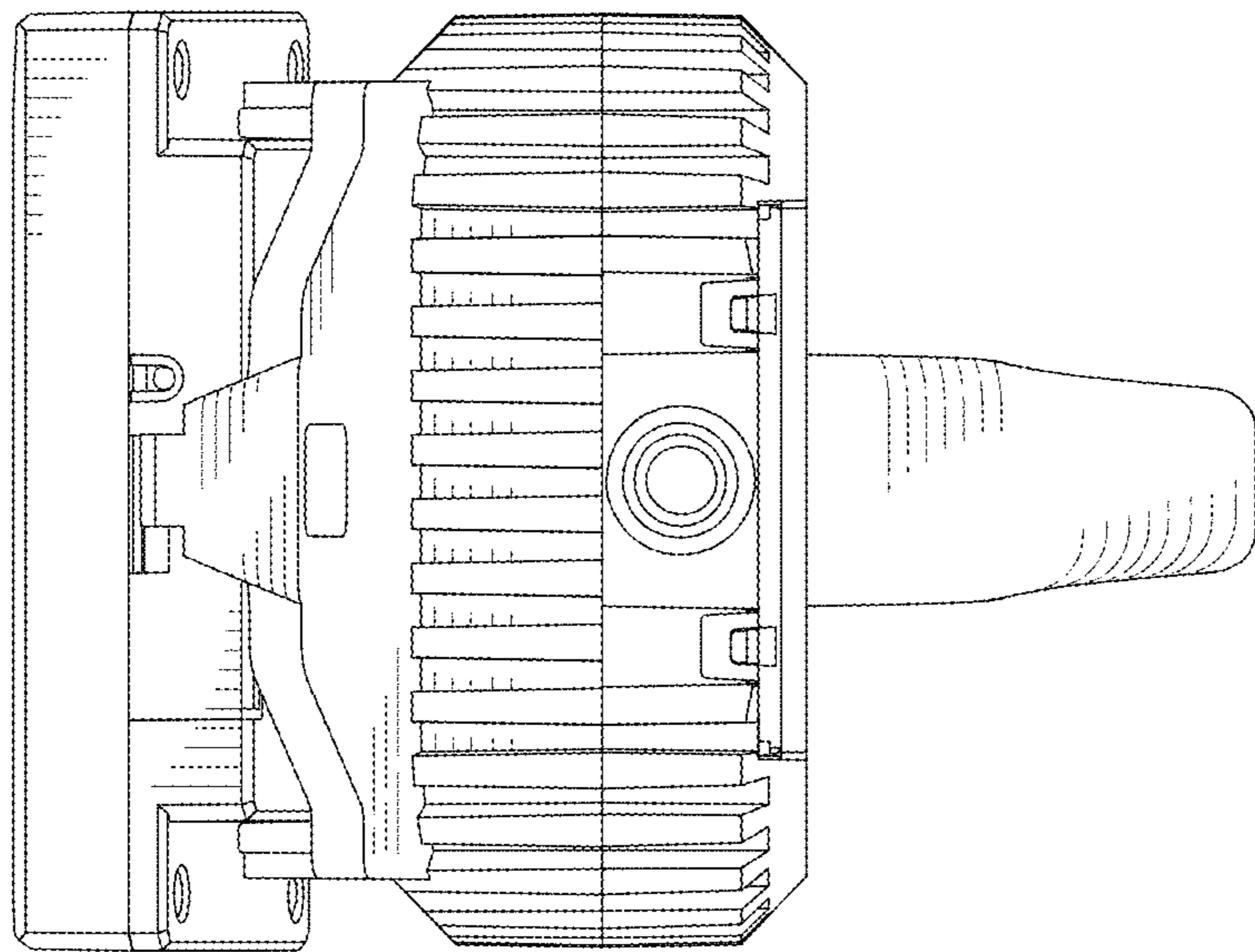


Fig. 5

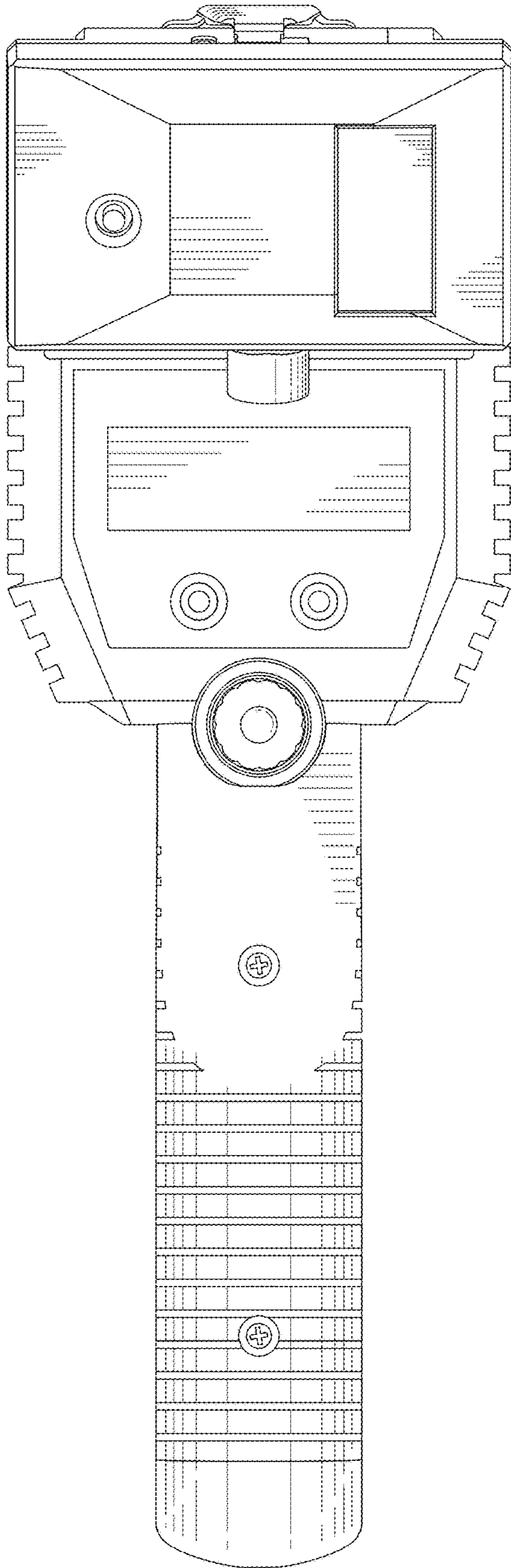


Fig. 6

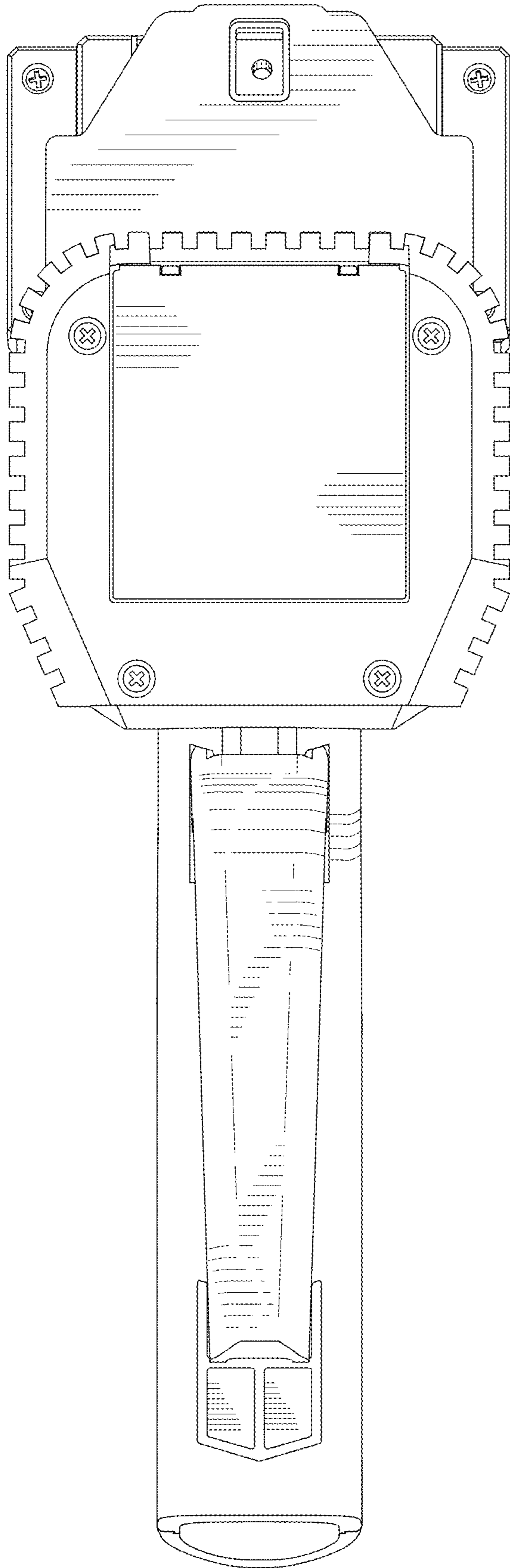


Fig. 7