



US00D808833S

(12) **United States Design Patent**
Abbott et al.

(10) **Patent No.:** **US D808,833 S**
(45) **Date of Patent:** **** Jan. 30, 2018**

- (54) **TESTING APPARATUS**
- (71) Applicant: **NOW GROUP UK LTD**, Berkshire (GB)
- (72) Inventors: **Hunter Abbott**, Berkshire (GB); **Adrian Stokes**, Berkshire (GB)
- (73) Assignee: **NOW GROUP UK LTD**, Berkshire (GB)
- (**) Term: **15 Years**
- (21) Appl. No.: **29/572,045**
- (22) Filed: **Jul. 25, 2016**
- (51) **LOC (11) Cl.** **10-04**
- (52) **U.S. Cl.**
USPC **D10/81; D10/78**
- (58) **Field of Classification Search**
USPC D10/78, 81
CPC A61B 5/083; A61B 5/087; A61B 5/0833;
A61B 5/091; A61B 5/222; A61B 5/0002;
A61B 5/02438; A61B 5/08; G01N
33/497; G01N 33/4972; G01N 33/483;
G01N 33/98; G10L 17/00; Y10S 436/90
See application file for complete search history.

- 8,814,804 B2 * 8/2014 Walden A61B 5/097
600/532
- D727,763 S * 4/2015 Nothacker D10/81
- D744,881 S * 12/2015 Nothacker D10/81
- 9,241,054 B1 * 1/2016 Roberts H04B 1/3888
- D749,970 S * 2/2016 Nothacker D10/81
- 9,554,704 B2 * 1/2017 Okuyama G01N 33/487
- D782,927 S * 4/2017 Nothacker D10/81
- 9,654,605 B2 * 5/2017 Goldfain A45C 11/182

* cited by examiner

Primary Examiner — Antoine Duval Davis

(74) *Attorney, Agent, or Firm* — Barnes & Thornburg LLP

(57) **CLAIM**

The ornamental design for a testing apparatus, as shown and described.

DESCRIPTION

FIG. 1 is a perspective view of a testing apparatus, according to a first embodiment of my new design in a closed configuration;

FIG. 2 is perspective view of FIG. 1 in an open configuration;

FIG. 3 is a top view of FIG. 2;

FIG. 4 is a bottom view of FIG. 2;

FIG. 5 is a front view of FIG. 2;

FIG. 6 is a back view of FIG. 2;

FIG. 7 is a left side view of FIG. 2; and,

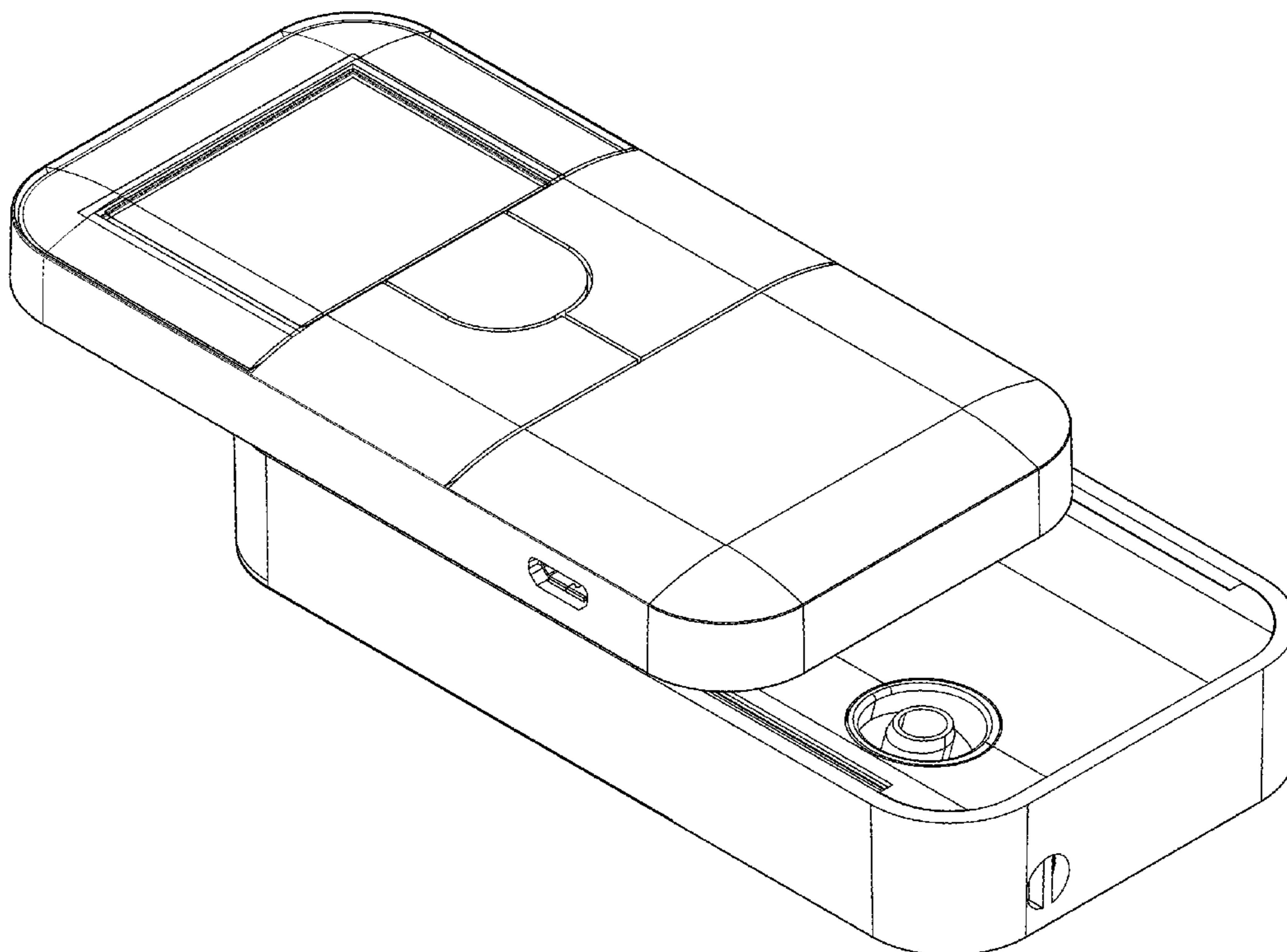
FIG. 8 is a right side view of FIG. 2.

1 Claim, 5 Drawing Sheets

(56) **References Cited**

U.S. PATENT DOCUMENTS

- D333,992 S * 3/1993 Anderson D10/81
- D669,375 S * 10/2012 Kao D10/78



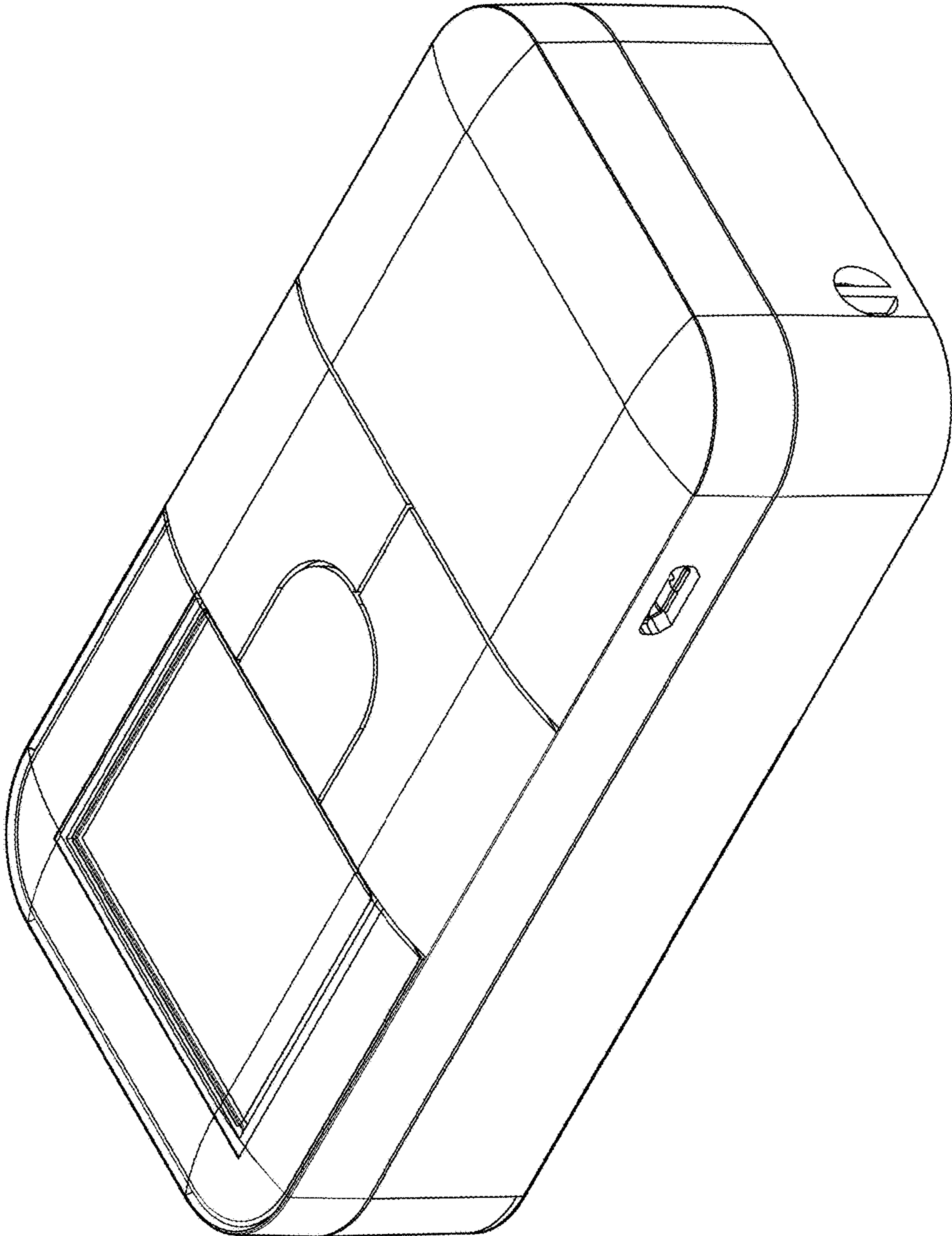


FIG. 1

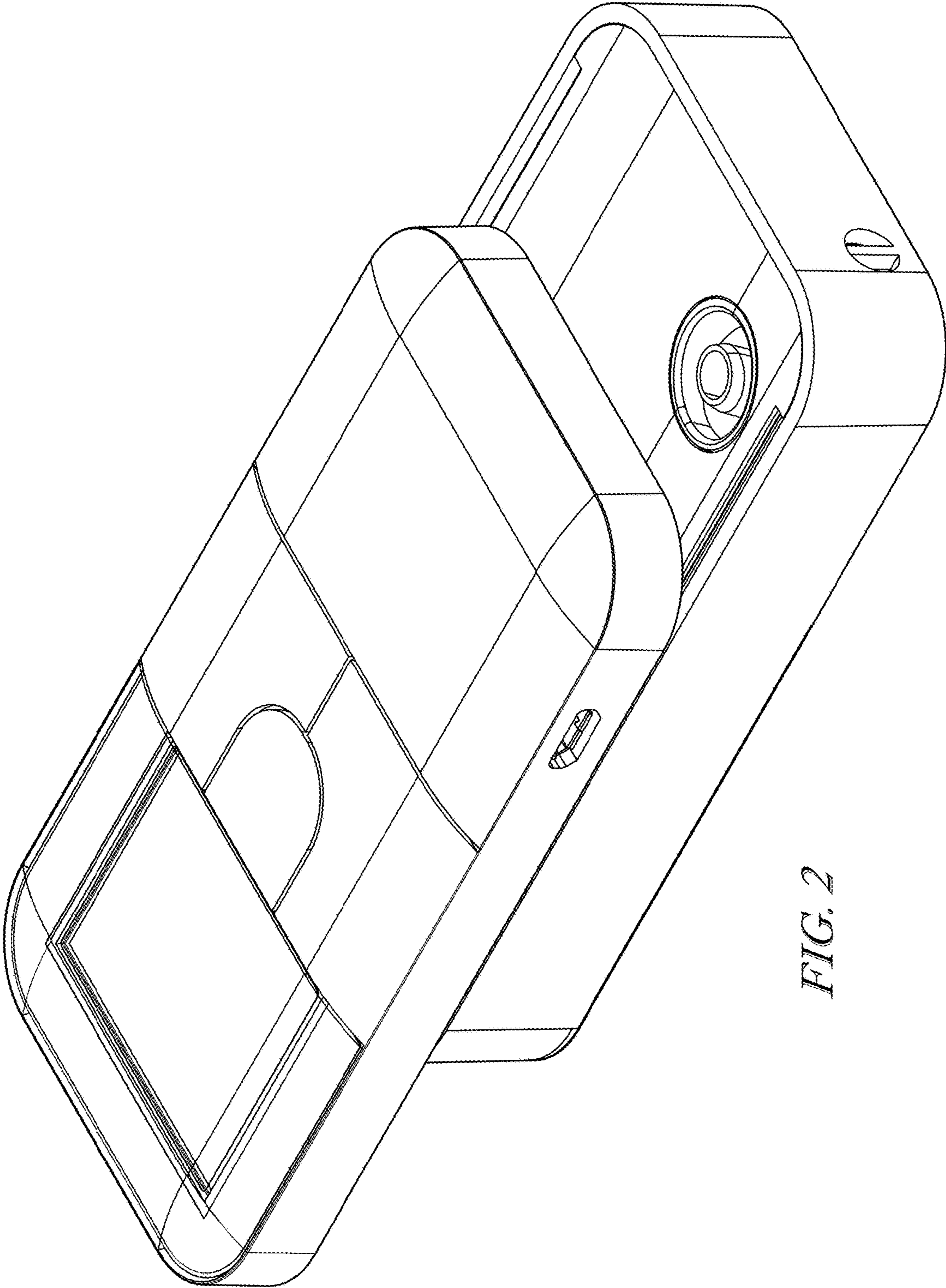


FIG. 2

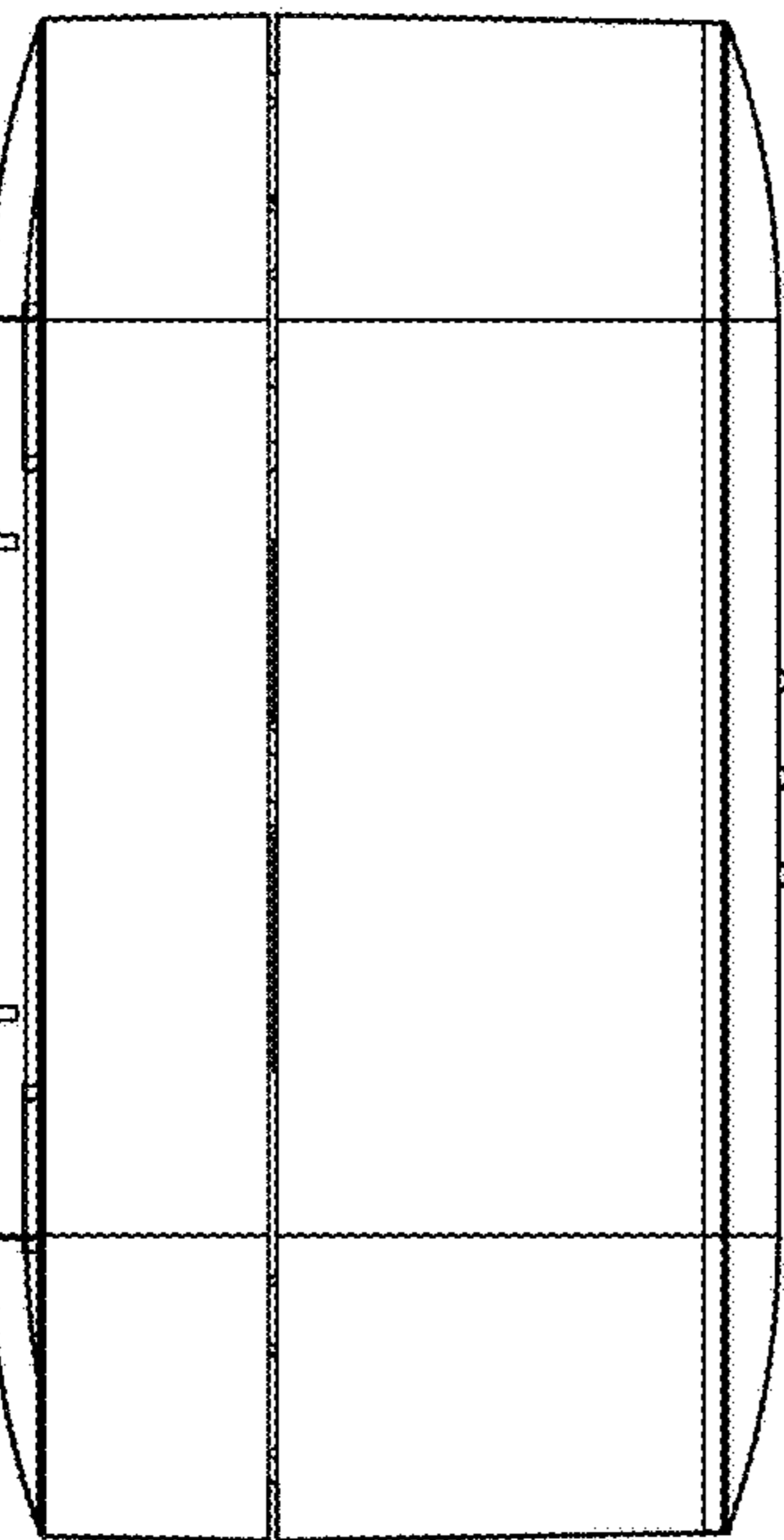


FIG. 3

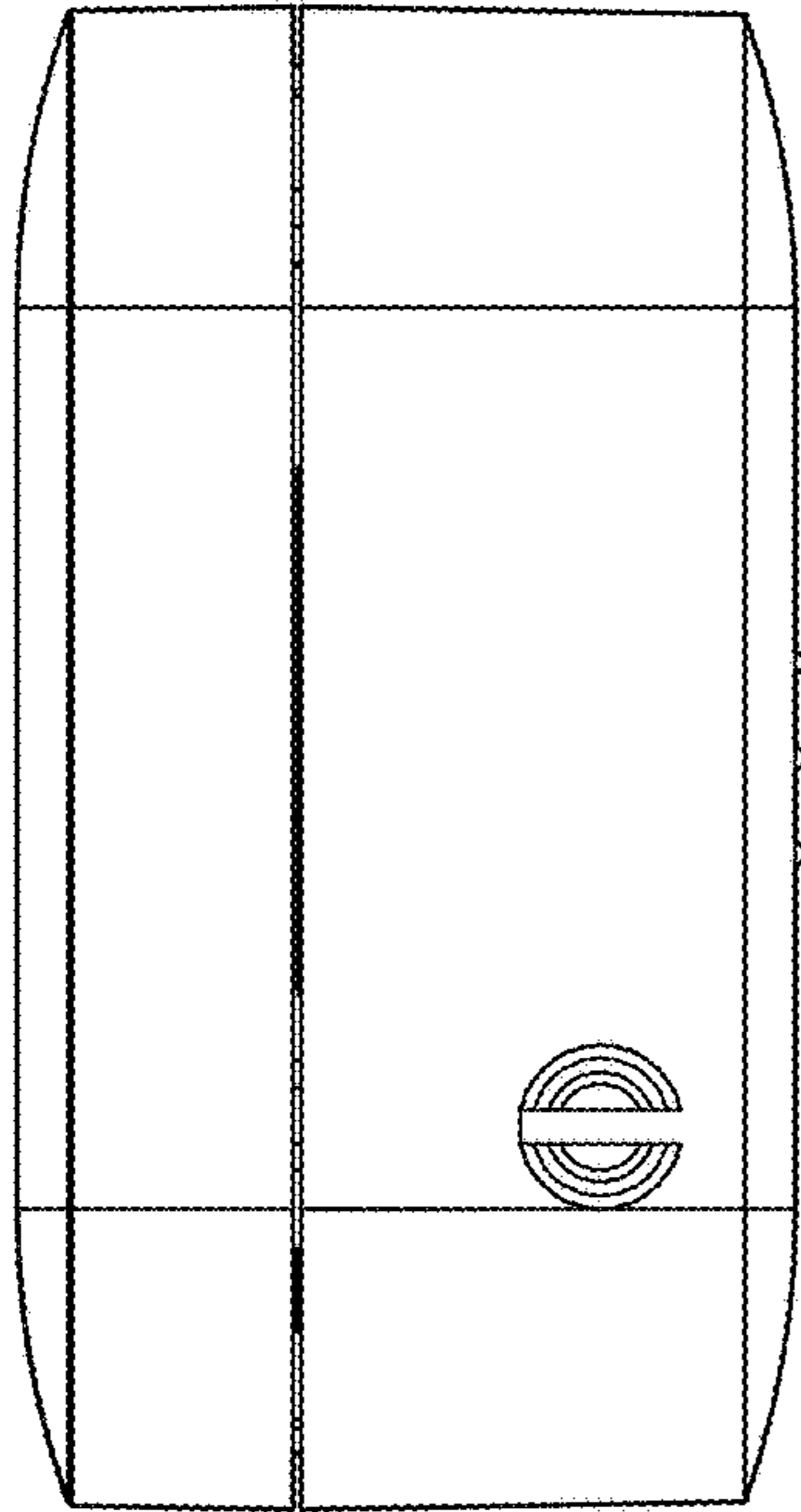


FIG. 4

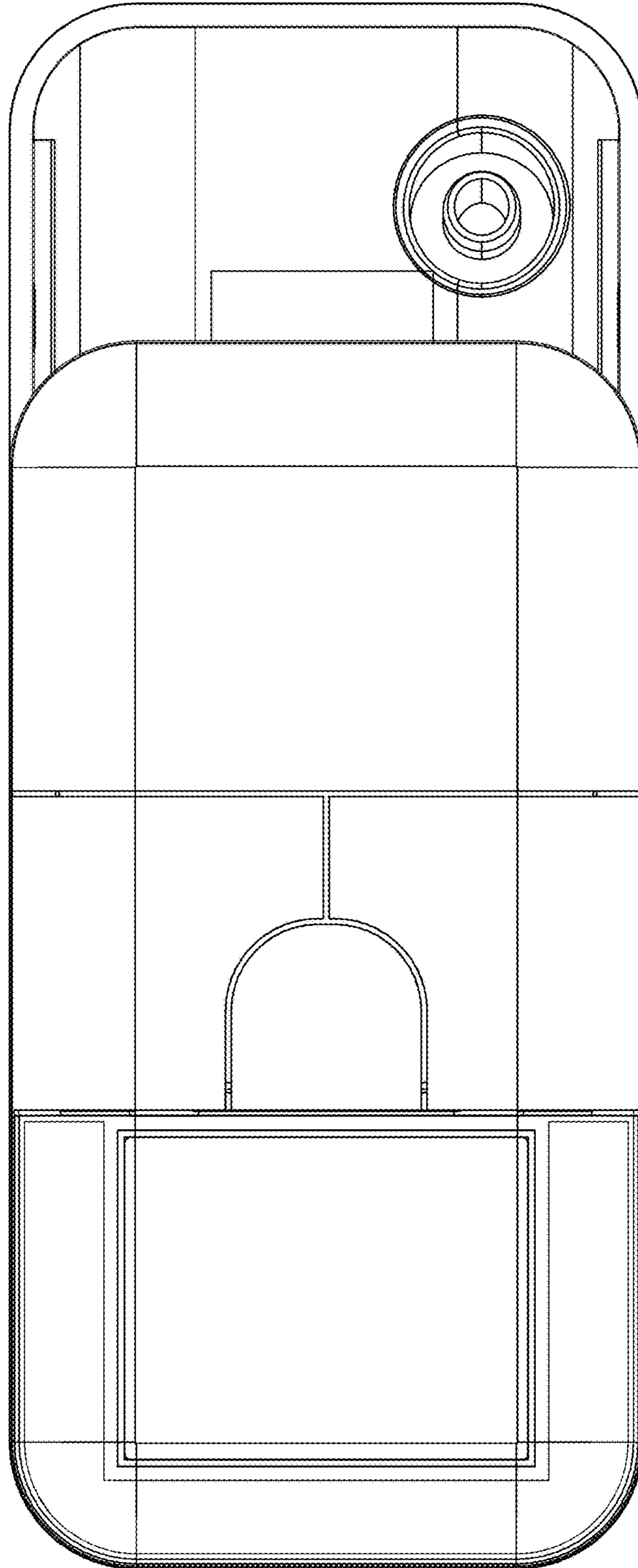


FIG. 5

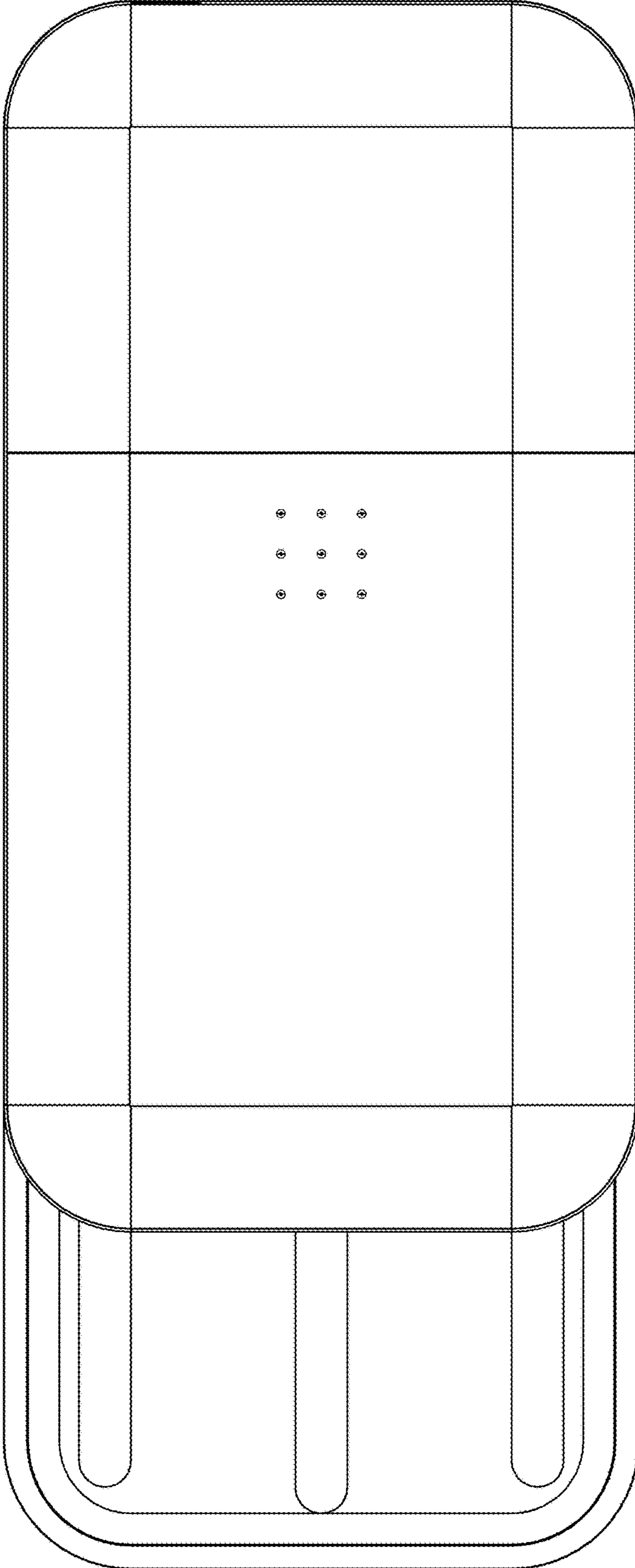


FIG. 6

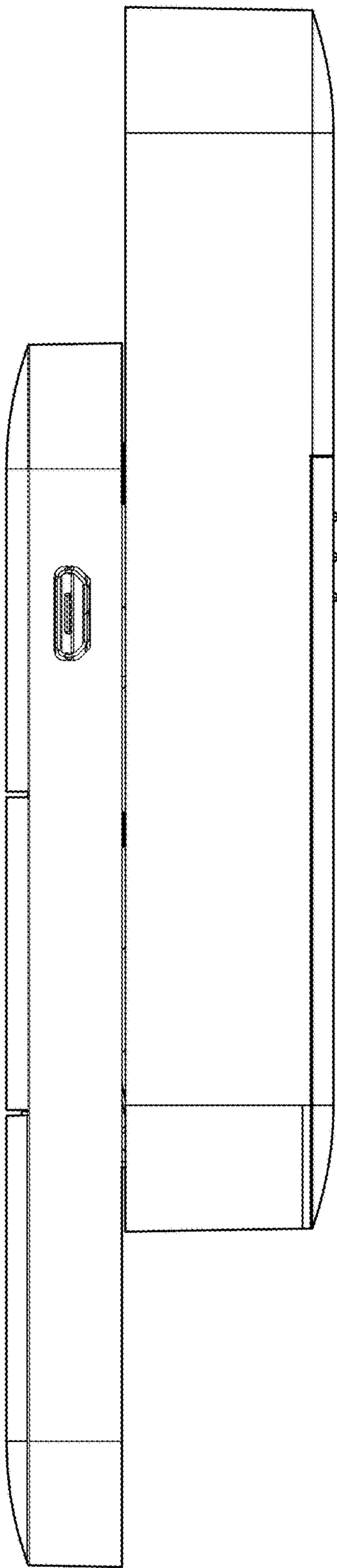


FIG. 7

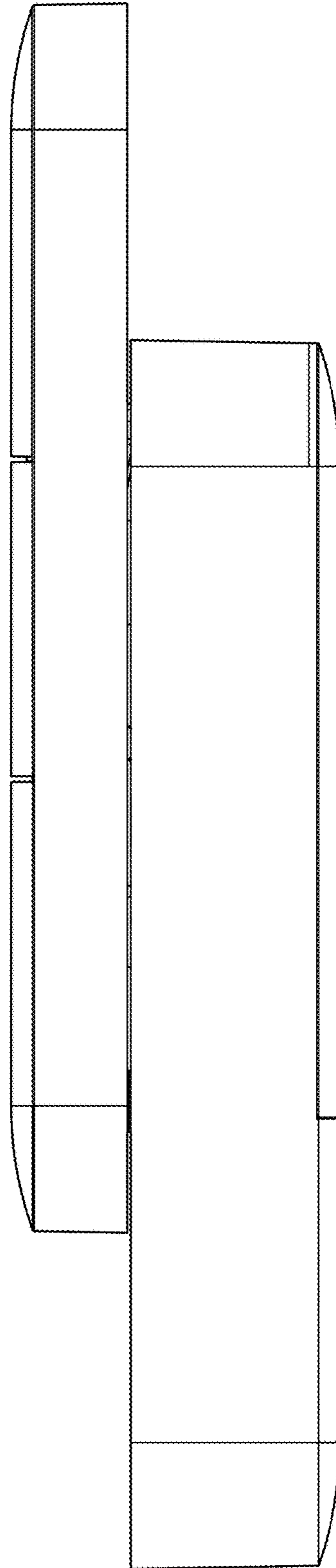


FIG. 8

UNITED STATES PATENT AND TRADEMARK OFFICE
CERTIFICATE OF CORRECTION

PATENT NO. : D808,833 S
APPLICATION NO. : 29/572045
DATED : January 30, 2018
INVENTOR(S) : Hunter Abbott et al.

Page 1 of 1

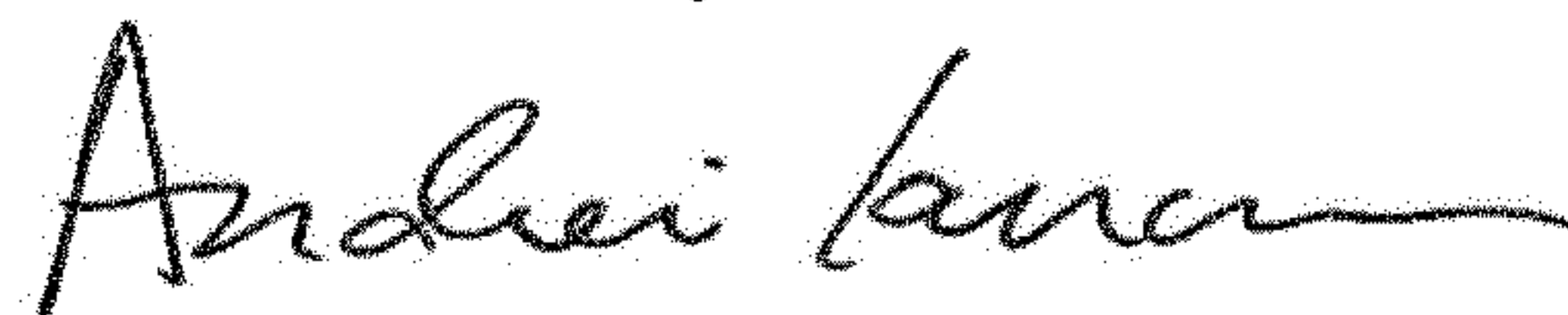
It is certified that error appears in the above-identified patent and that said Letters Patent is hereby corrected as shown below:

On the Title Page

Column 1, under Item (30), please insert the following foreign priority data:

--Jan. 25, 2016 (EM) 002958512-0001--

Signed and Sealed this
Fourth Day of June, 2019



Andrei Iancu
Director of the United States Patent and Trademark Office