



US00D808831S

(12) **United States Design Patent**
Dempsey et al.

(10) **Patent No.:** **US D808,831 S**
(45) **Date of Patent:** **** Jan. 30, 2018**

(54) **MOUNTING APPARATUS FOR A PORTABLE ELECTRONIC DEVICE**

(71) Applicant: **TomTom International B.V.**,
Amsterdam (NL)

(72) Inventors: **Mark Lee Dempsey**, Beckenham (GB);
Daniel Browning, Amsterdam (NL);
Nicholas Alexander Evans, Amsterdam
(NL); **Erik Hop**, Amsterdam (NL);
Ralph Christian Bremenkamp,
München (DE); **Britt Roumen**,
Groningen (NL)

(73) Assignee: **TOMTOM INTERNATIONAL B.V.**,
Amsterdam (NL)

(**) Term: **15 Years**

(21) Appl. No.: **29/582,210**

(22) Filed: **Oct. 26, 2016**

(30) **Foreign Application Priority Data**

Apr. 26, 2016 (EM) 003094911

(51) **LOC (11) Cl.** **10-04**

(52) **U.S. Cl.**
USPC **D10/74**

(58) **Field of Classification Search**

USPC D10/74

CPC A47B 2097/005; A47B 2097/006; B60R
11/00; B60R 11/0211; B60R 11/0229;
B60R 11/0235; B60R 11/0252; B60R

11/0258; B60R 2011/0003; B60R
2011/0005; B60R 2011/0007; B60R
2011/0056; B60R 2011/0057; B60R
2011/0063; F16B 47/00; F16B 47/003;
F16B 45/00; F16B 45/02; A47G 25/0607;
A47G 25/08

See application file for complete search history.

(56) **References Cited**

U.S. PATENT DOCUMENTS

D630,955 S * 1/2011 McAlpine D10/74

* cited by examiner

Primary Examiner — Antoine Duval Davis

(57) **CLAIM**

The ornamental design for a mounting apparatus for a portable electronic device, as shown and described.

DESCRIPTION

FIG. 1 is a perspective view showing the front and upper surface of the mounting apparatus.

FIG. 2 is a front view of the mounting apparatus.

FIG. 3 is a rear view of the mounting apparatus.

FIG. 4 is a left side view of the mounting apparatus.

FIG. 5 is a right side view of the mounting apparatus.

FIG. 6 is a top view of the mounting apparatus; and,

FIG. 7 is a bottom view of the mounting apparatus.

1 Claim, 5 Drawing Sheets

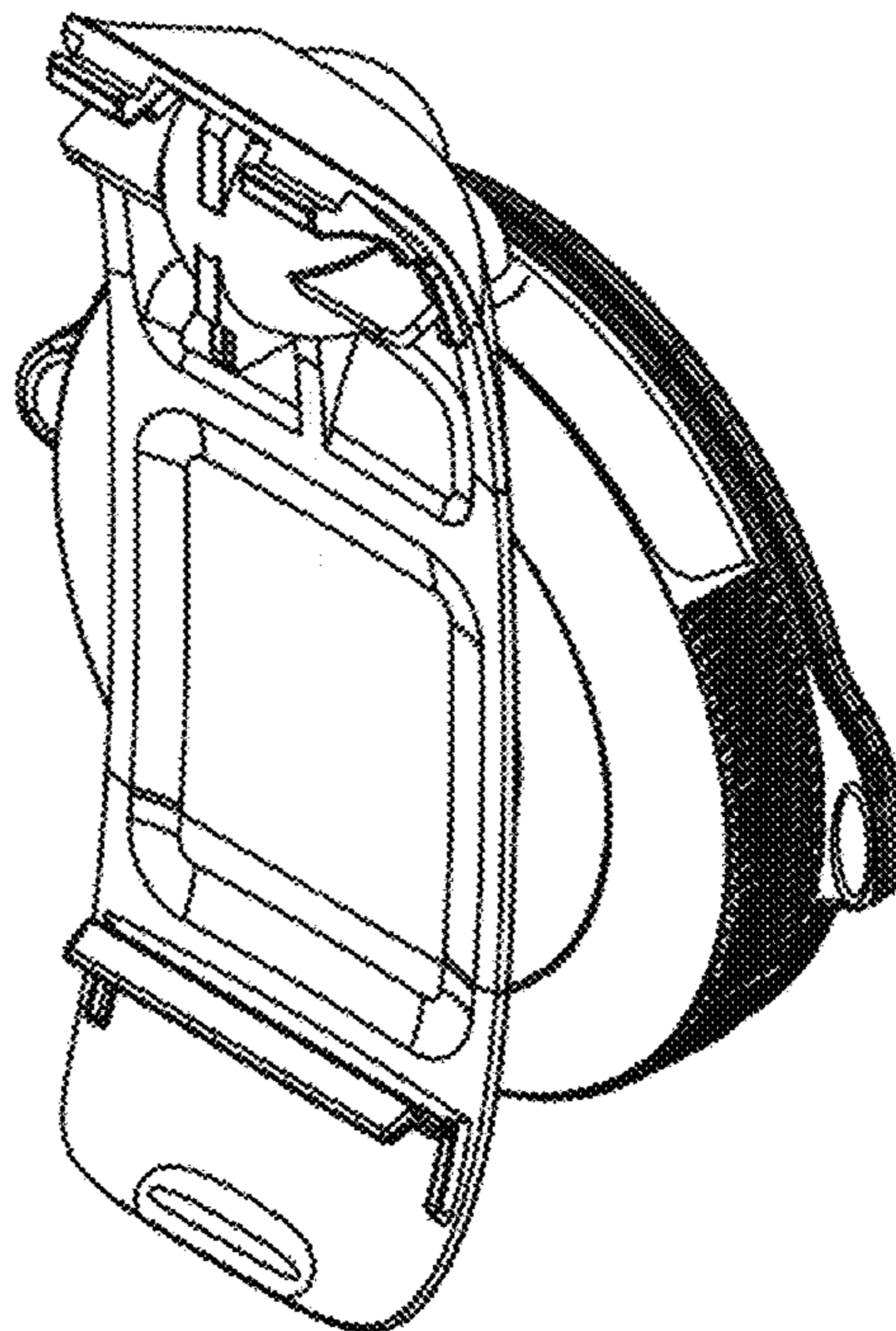




Figure 1

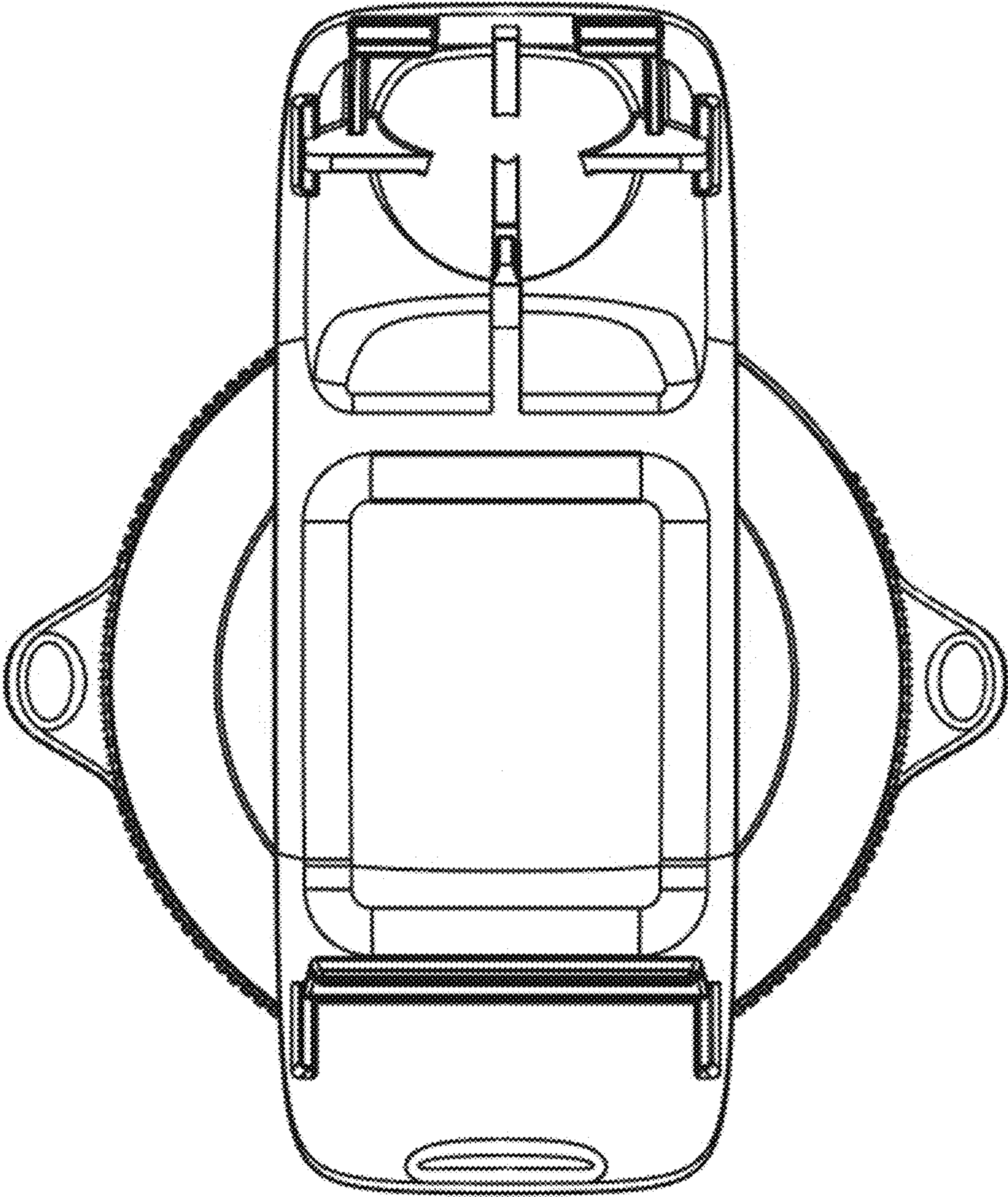


Figure 2

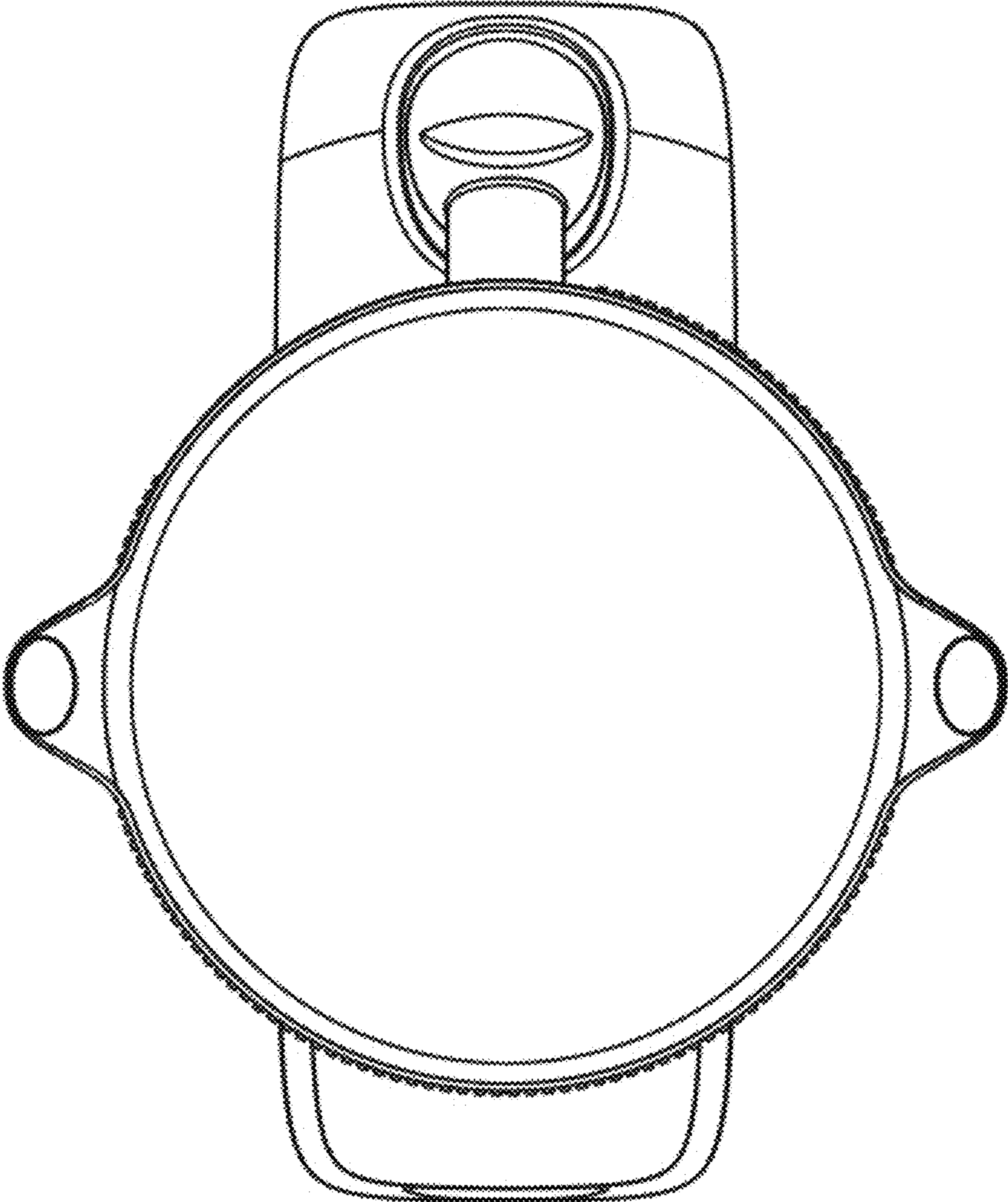


Figure 3

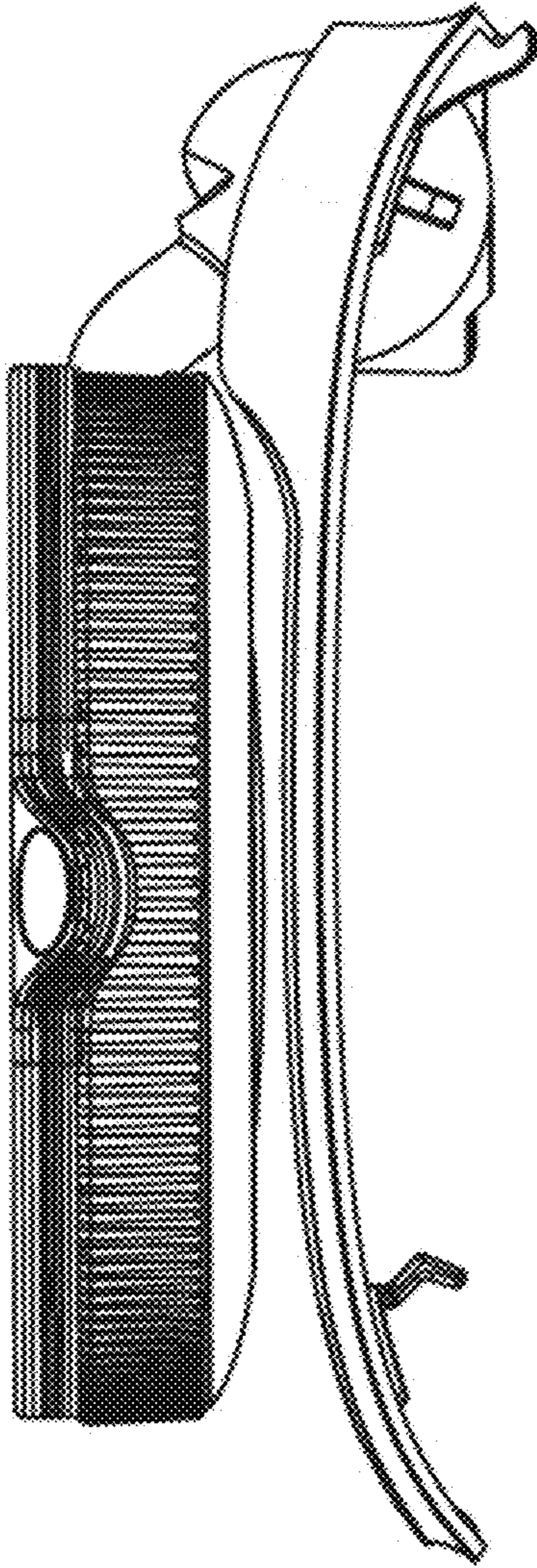


Figure 4

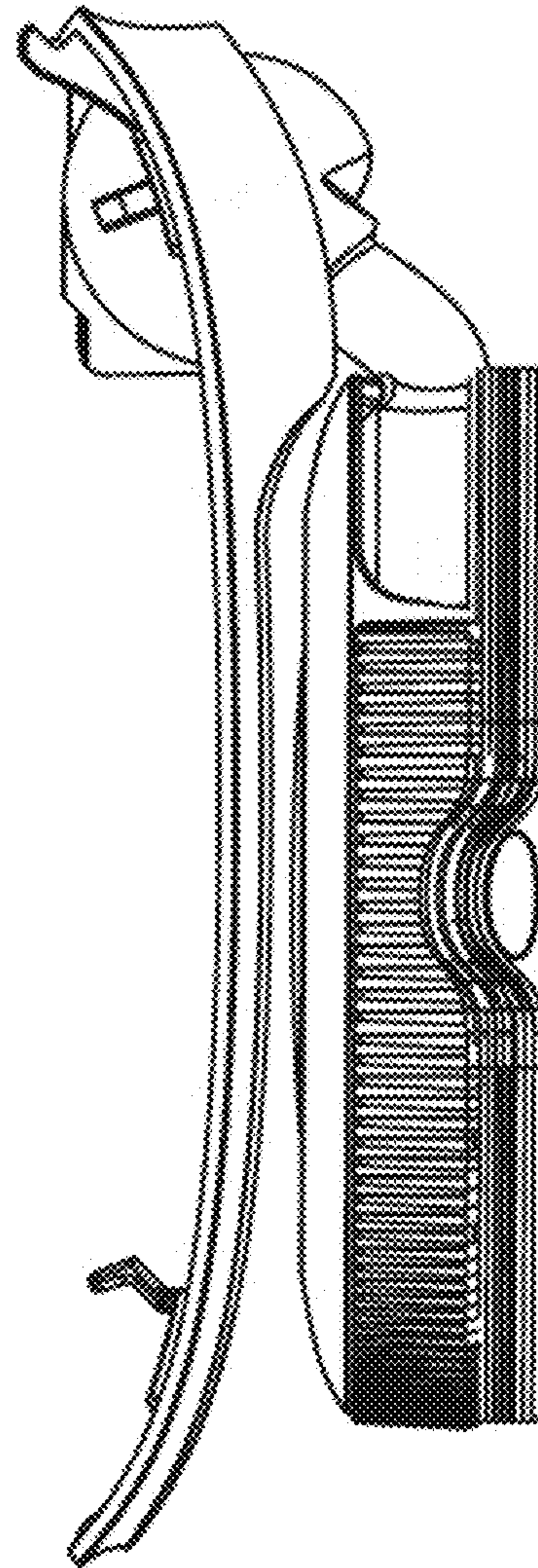


Figure 5

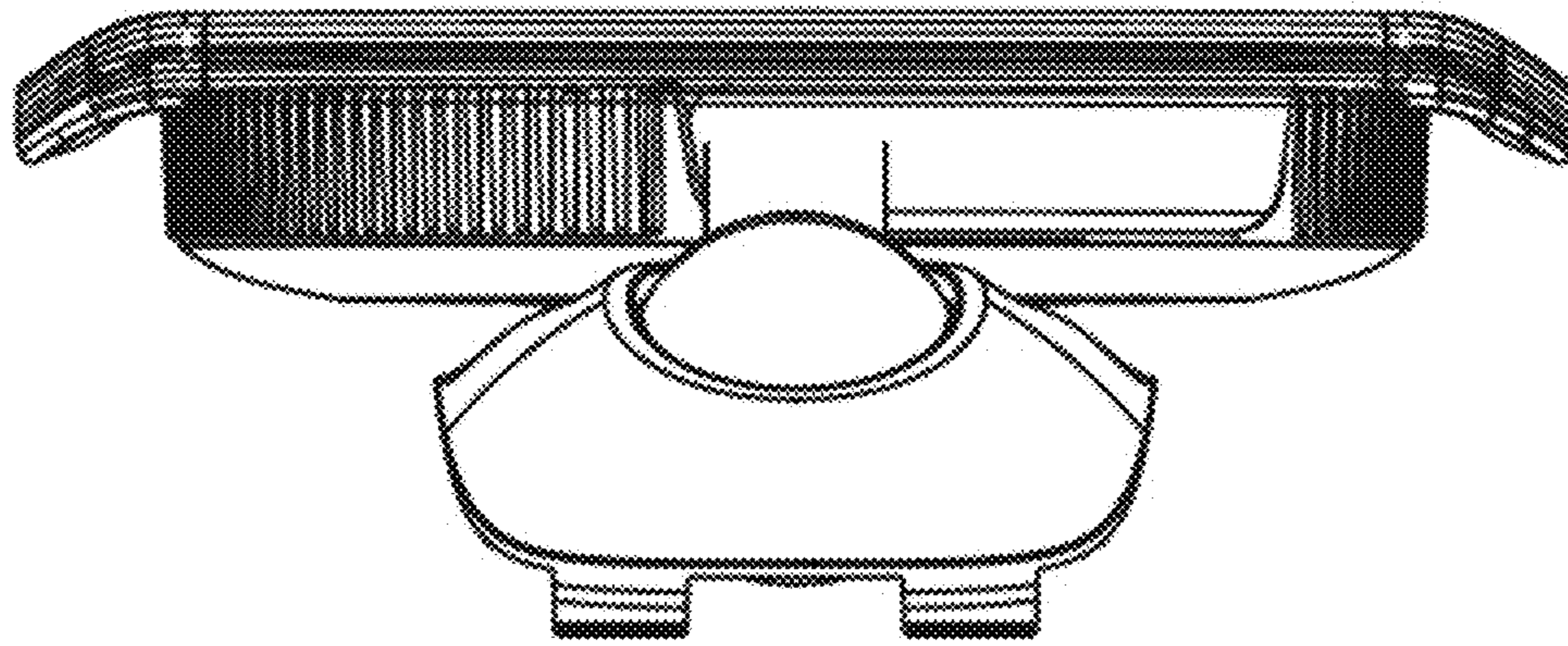


Figure 6

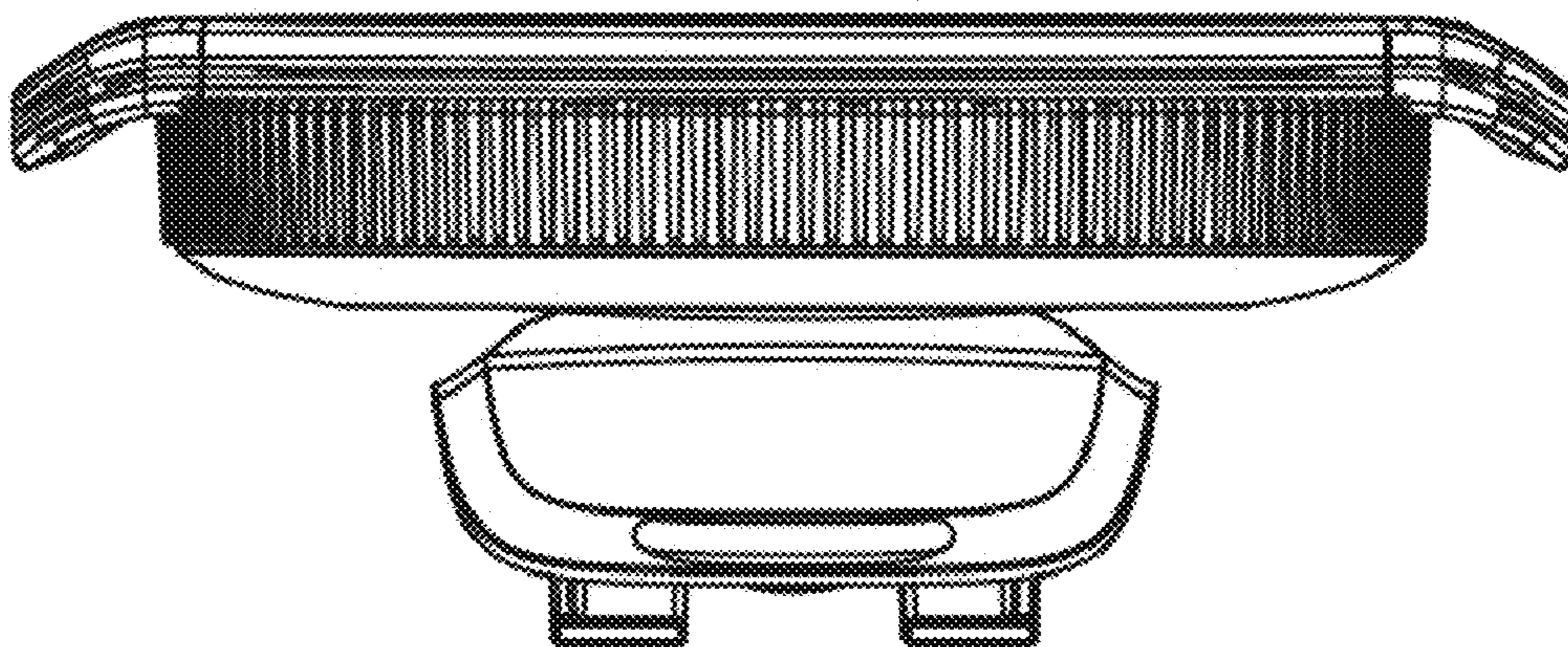


Figure 7