



US00D808829S

(12) **United States Design Patent**
Dempsey et al.

(10) **Patent No.:** **US D808,829 S**
(45) **Date of Patent:** **** Jan. 30, 2018**

(54) **PERSONAL NAVIGATION DEVICE**

(71) Applicant: **TomTom International B.V.**,
Amsterdam (NL)

(72) Inventors: **Mark Lee Dempsey**, Beckenham (GB);
Daniel Browning, Amsterdam (NL);
Nicholas Alexander Evans, Amsterdam
(NL); **Erik Hop**, Amsterdam (NL);
Ralph Christian Bremenkamp,
München (DE); **Britt Roumen**,
Groningen (NL)

(73) Assignee: **TOMTOM INTERNATIONAL B.V.**,
Amsterdam (NL)

(**) Term: **15 Years**

(21) Appl. No.: **29/582,207**

(22) Filed: **Oct. 26, 2016**

(30) **Foreign Application Priority Data**

Apr. 26, 2016 (EM) 003094911

(51) **LOC (11) Cl.** **10-04**

(52) **U.S. Cl.**
USPC **D10/65**

(58) **Field of Classification Search**
USPC D10/65, 70
CPC G08G 1/096883; G08G 1/096872; G08G
1/096775; G08G 1/0969; G01C 17/00;
G01C 21/00–21/3697; G01C
22/00–22/025; G01C 23/00–23/005;
G01V 8/20; G01J 5/02; G01J 5/023;
G01J 5/24; G01J 5/10; G01J 5/20; G01J
5/0235; G01J 5/08; G01J 5/0853; G01J
5/33; G01J 5/34; G01J 5/0022; G01J
5/22; G01J 5/0295; G01J 5/12; G01J
2005/068; G01J 2005/345; G01N
21/3504; G01N 21/35; G01S 3/043; G01S
15/04; G01S 5/025; G08B 13/1645;
G08B 13/193; G08B 17/12; G08B

13/00–13/26; G08B 29/00–29/28; Y10S
250/01; H01L 37/00; H01L 37/02; H04N
5/33; G01P 3/50; G01P 1/00–1/26; G01P
15/00–15/18; G06F 3/0482; G06F
2203/04801; G06F 19/3481; G06F
3/00–3/027; F21S 8/033; F21V 17/02;
F21V 23/0442; F21V 21/30; F21W
2131/10

See application file for complete search history.

(56) **References Cited**

U.S. PATENT DOCUMENTS

D581,818 S *	12/2008	Gretton	D10/65
D589,381 S *	3/2009	Gretton	D10/65
D589,382 S *	3/2009	Gretton	D10/65
D589,383 S *	3/2009	Gretton	D10/65
D589,384 S *	3/2009	Gretton	D10/65
D589,385 S *	3/2009	Gretton	D10/65
D692,326 S *	10/2013	Roberts	D10/65
D720,634 S *	1/2015	Dempsey	D10/65
D729,643 S *	5/2015	Browning	D10/65
D742,258 S *	11/2015	Stevens	D10/65
D772,738 S *	11/2016	Browning	D10/65
D789,811 S *	6/2017	Lenz	D10/65

* cited by examiner

Primary Examiner — Antoine Duval Davis

(57) **CLAIM**

The ornamental design for a personal navigation device, as shown and described.

DESCRIPTION

FIG. 1 is a perspective view showing the front and upper surface of the device.

FIG. 2 is a rear view of the device.

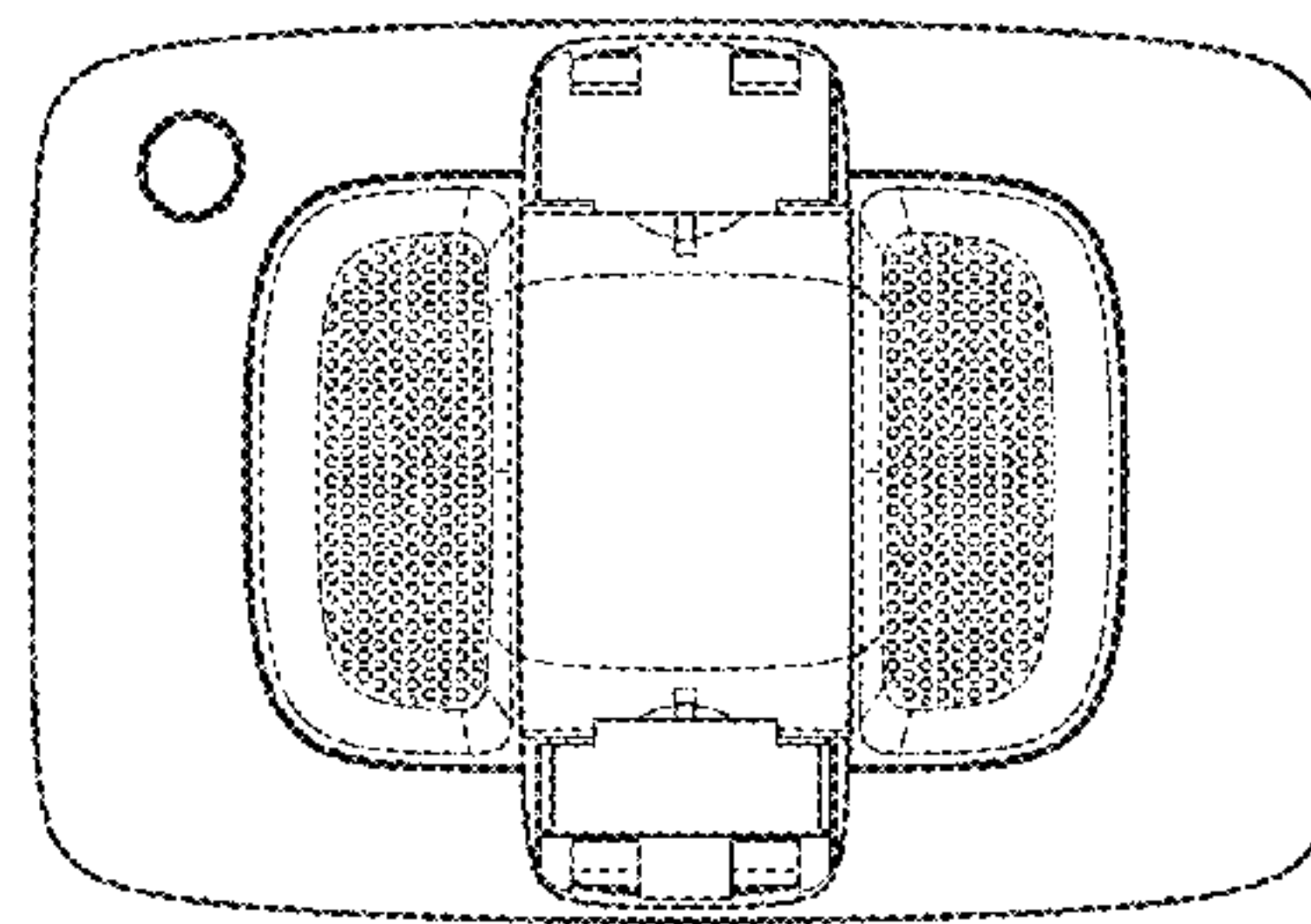
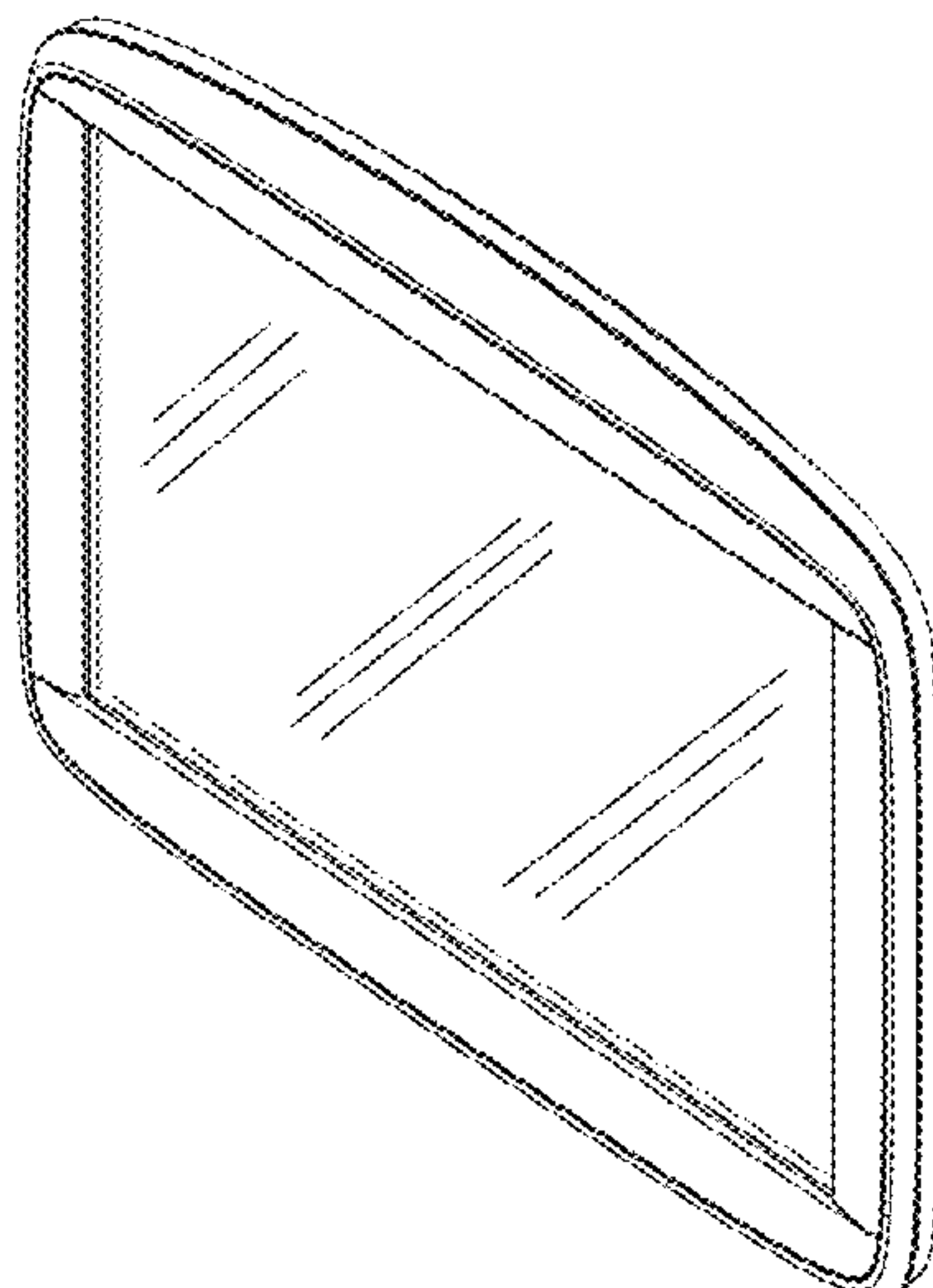
FIG. 3 is a front view of the device.

FIG. 4 is a bottom view of the device.

FIG. 5 is a top view of the device; and,

FIGS. 6 and 7 are opposing side views of the device.

1 Claim, 4 Drawing Sheets



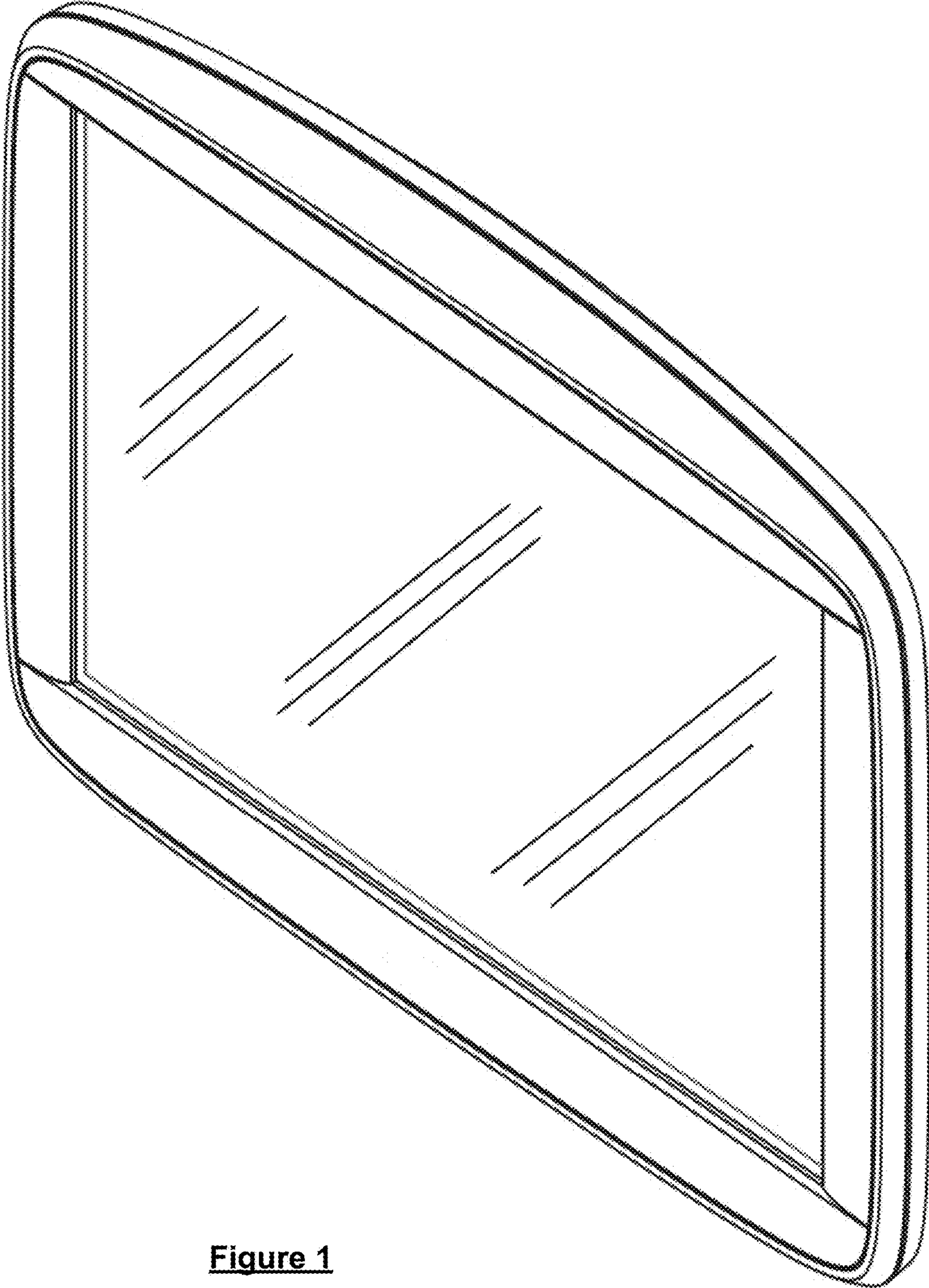


Figure 1

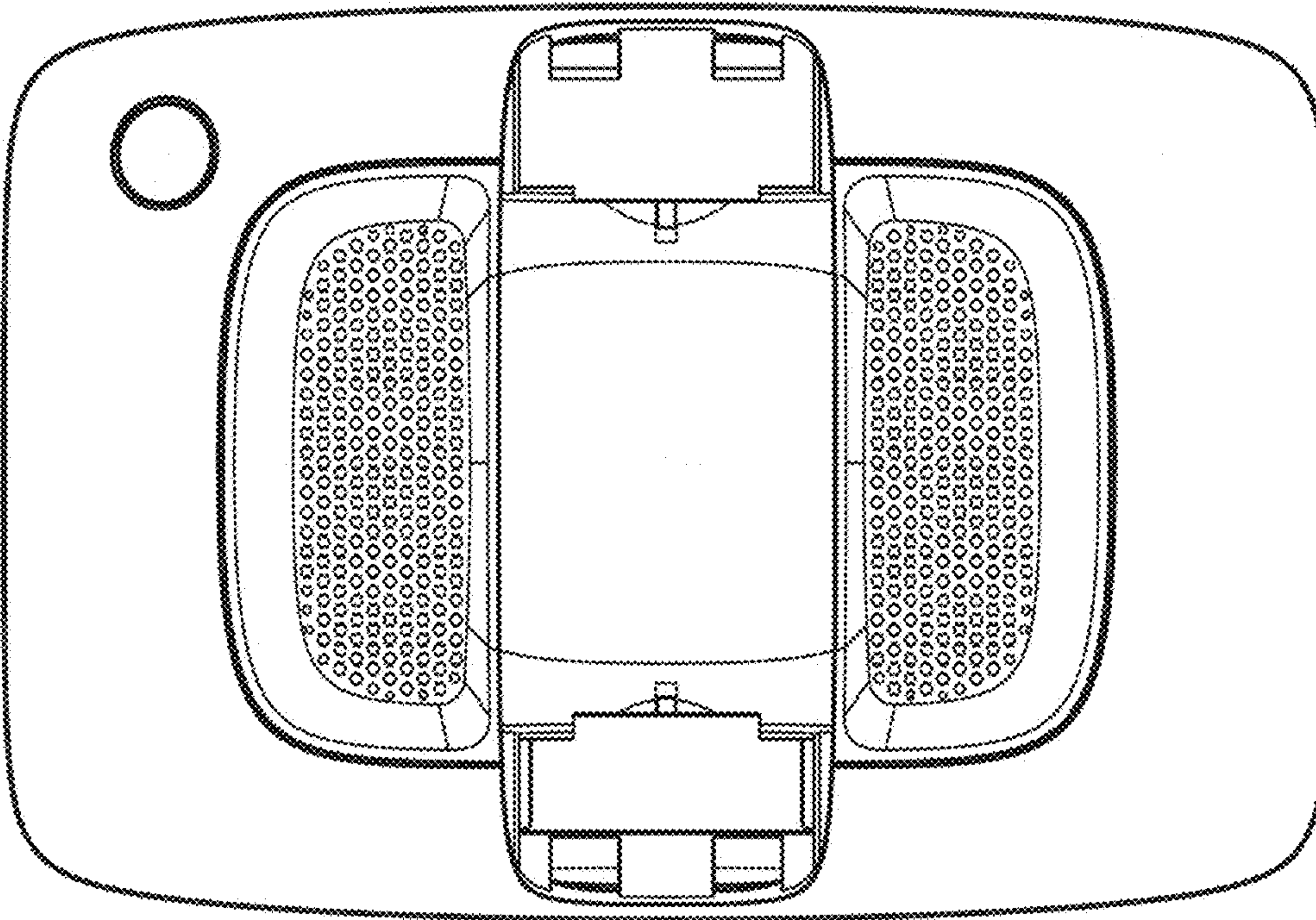


Figure 2

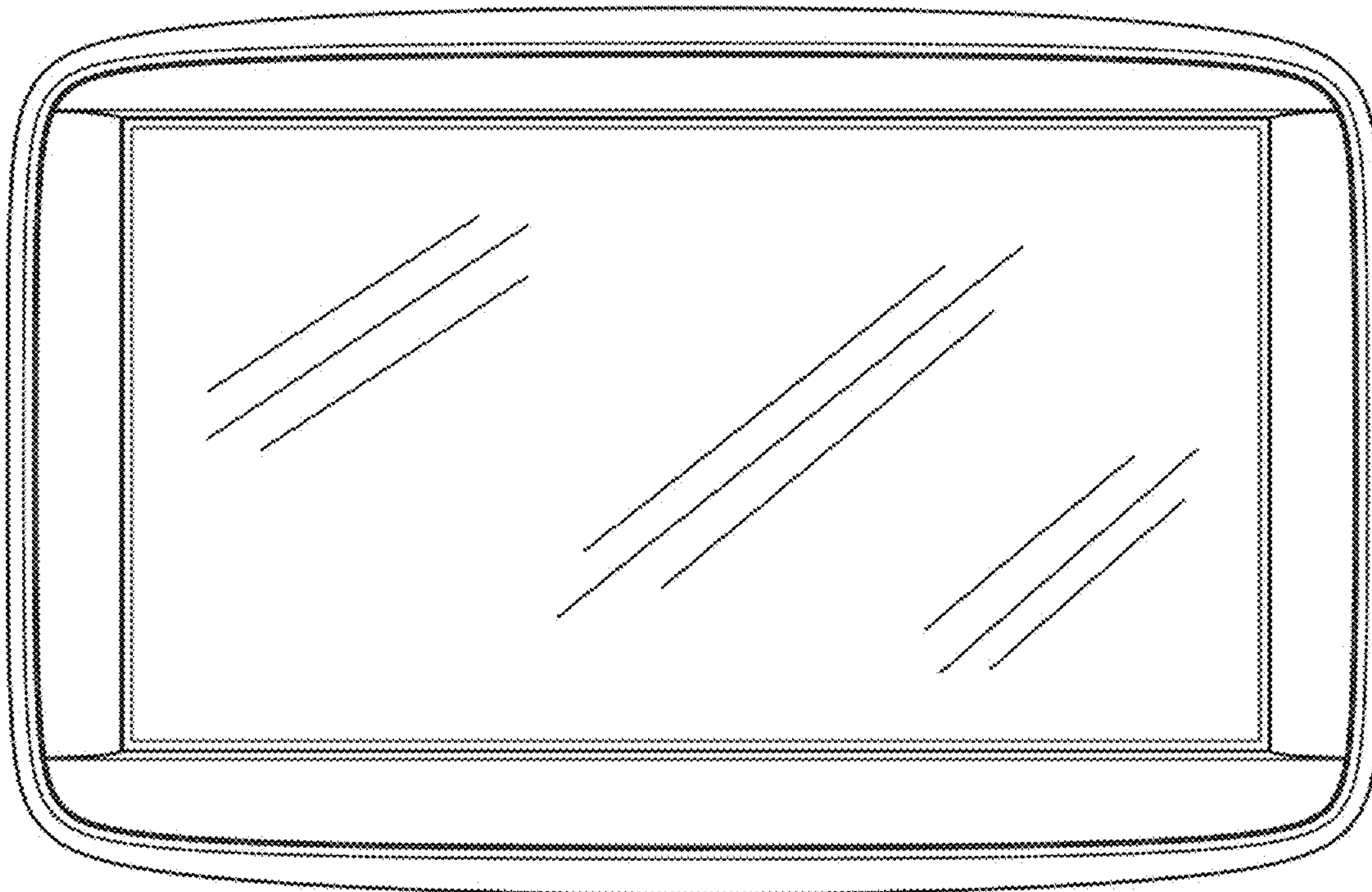


Figure 3

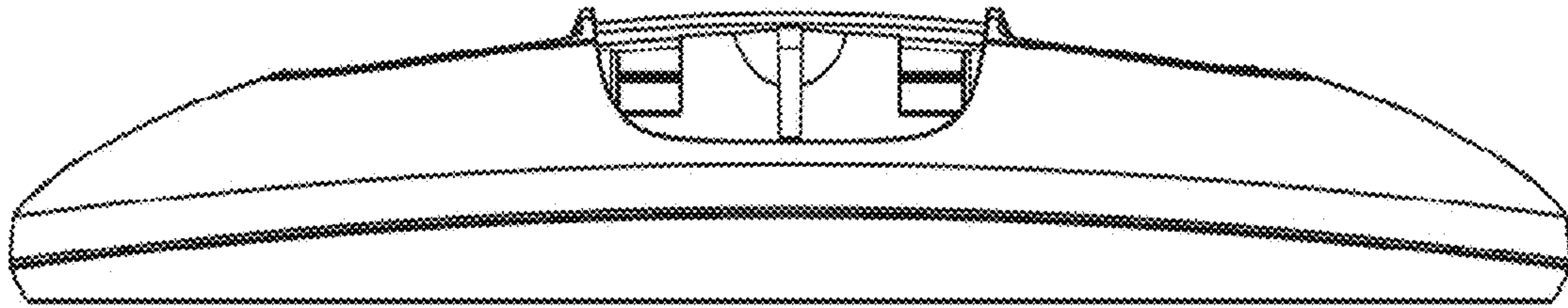


Figure 4

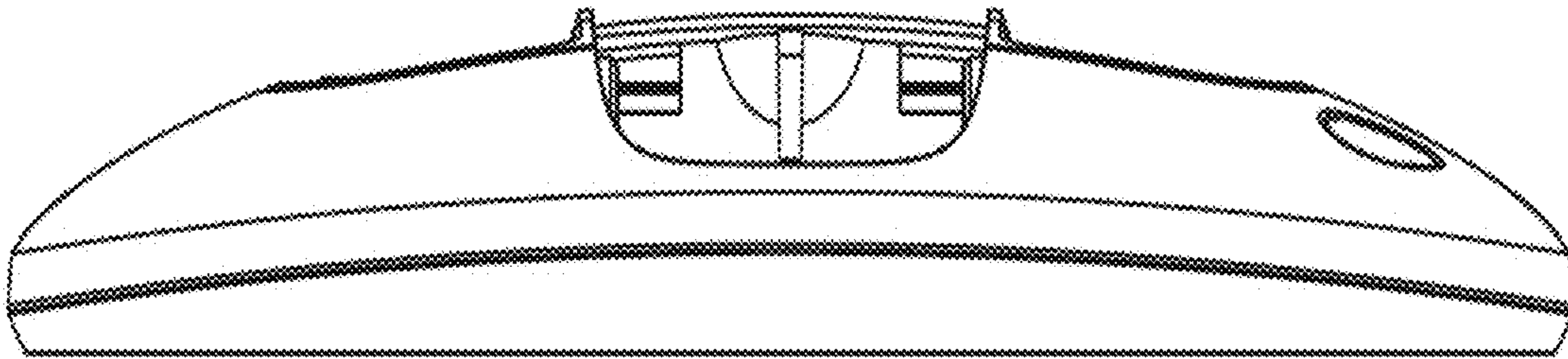


Figure 5

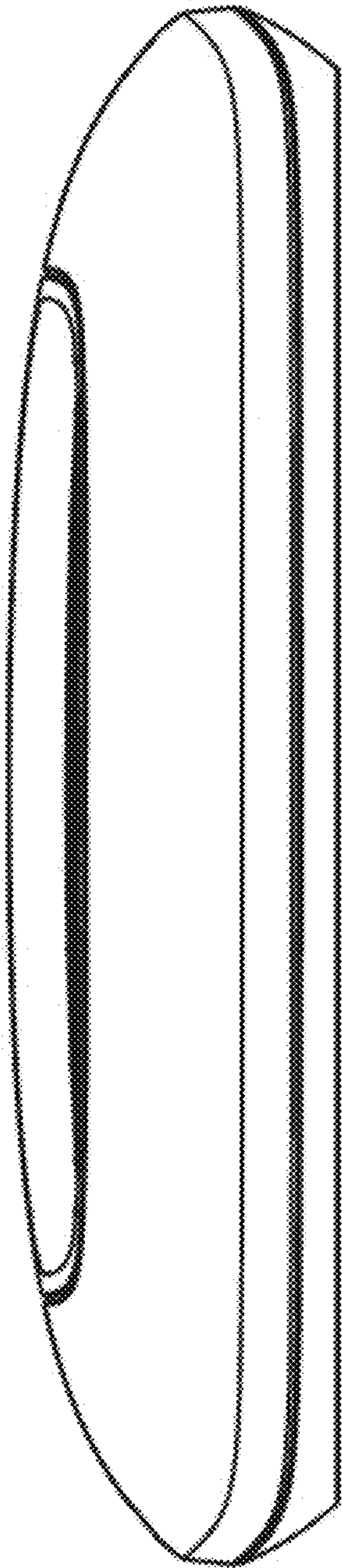


Figure 6

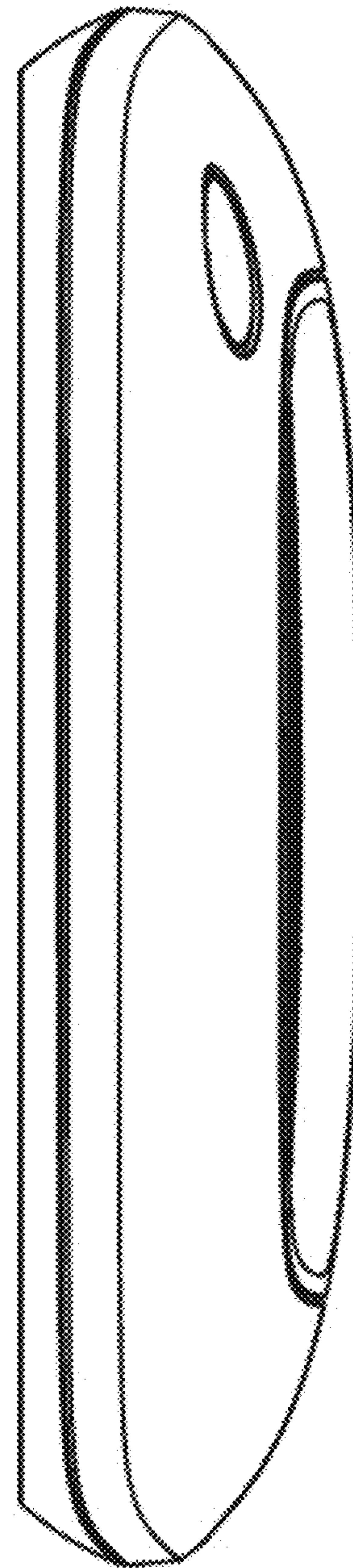


Figure 7