



US00D808826S

(12) **United States Design Patent**
Johnson

(10) **Patent No.:** **US D808,826 S**
(45) **Date of Patent:** **** Jan. 30, 2018**

- (54) **ADJUSTABLE SENSOR CLIP**
- (71) Applicant: **GOOEE Limited**, St Albans (GB)
- (72) Inventor: **Andrew Johnson**, Klosters (CH)
- (73) Assignee: **Gooee Limited**, St Albans (GB)
- (**) Term: **15 Years**
- (21) Appl. No.: **29/569,839**
- (22) Filed: **Jun. 30, 2016**
- (51) **LOC (11) Cl.** **10-07**
- (52) **U.S. Cl.**
USPC **D10/46**
- (58) **Field of Classification Search**
USPC D10/46, 50–56, 60, 61, 65, 66, 70, 75,
D10/78, 79, 92, 99, 100, 104.1, 106.1,
(Continued)

(56) **References Cited**

U.S. PATENT DOCUMENTS

- D274,297 S * 6/1984 Wright D10/104.1
 - D331,203 S * 11/1992 Collister D10/46
- (Continued)

FOREIGN PATENT DOCUMENTS

- JP 4214689 B2 * 1/2009
- WO WO-2016039690 A1 3/2016

OTHER PUBLICATIONS

Retrofit Clip, posted on gooee.com, no posted date given, no production date given, [online], [site visited Mar. 22, 2017], available from internet, <URL: <https://gooee.com/ecosystem/>>.*

(Continued)

Primary Examiner — Melanie H Tung
Assistant Examiner — Fitzgerald Butac

(74) *Attorney, Agent, or Firm* — Lisa J. Moyles; Janelle A. Bailey

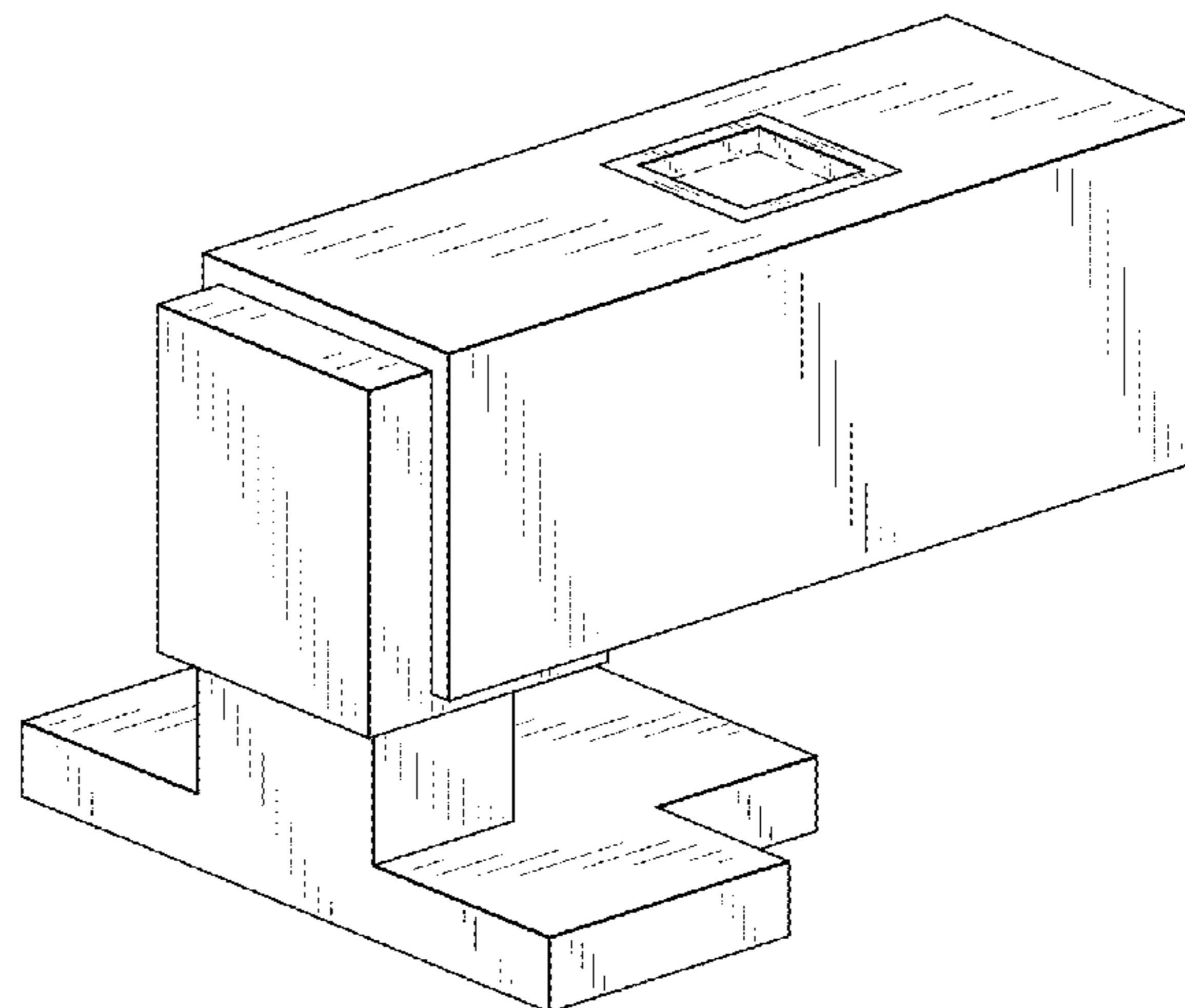
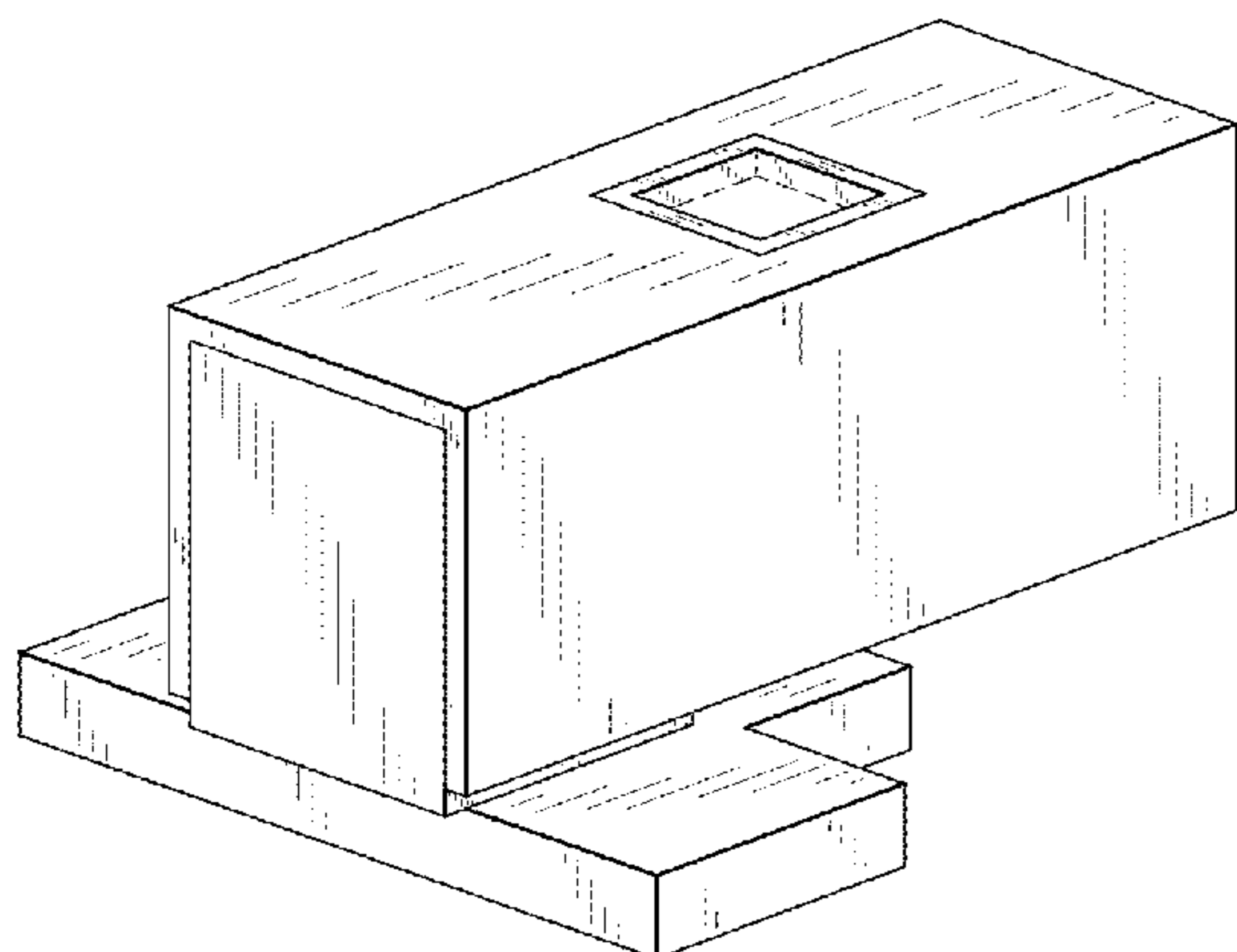
(57) **CLAIM**

The ornamental design of an adjustable sensor clip, as shown and described.

DESCRIPTION

FIG. 1 depicts a top perspective view of a sensor clip; FIG. 2 depicts a bottom perspective view of the sensor clip; FIG. 3 depicts a front view of the sensor clip; FIG. 4 depicts a back view of the sensor clip; FIG. 5 depicts a left view of the sensor clip; FIG. 6 depicts a right view of the sensor clip; FIG. 7 depicts a top view of the sensor clip; FIG. 8 depicts a bottom view of the sensor clip; FIG. 9 depicts a top perspective view of the sensor clip in an extended position; FIG. 10 depicts a bottom perspective view of the sensor clip in an extended position; FIG. 11 depicts a front view of the sensor clip in an extended position; FIG. 12 depicts a back view of the sensor clip in an extended position; FIG. 13 depicts a left view of the sensor clip in an extended position; FIG. 14 depicts a right view of the sensor clip in an extended position; FIG. 15 depicts a top view of the sensor clip in an extended position; FIG. 16 depicts a bottom view of the sensor clip in an extended position; and, FIG. 17 depicts the sensor clip coupled to a device. The broken lines showing parts of the sensor clip are for the purpose of illustrating portions of the sensor clip that form no part of the claimed design. The dash-dot-dash broken lines define the bounds of the claimed design and form no part thereof.

1 Claim, 9 Drawing Sheets



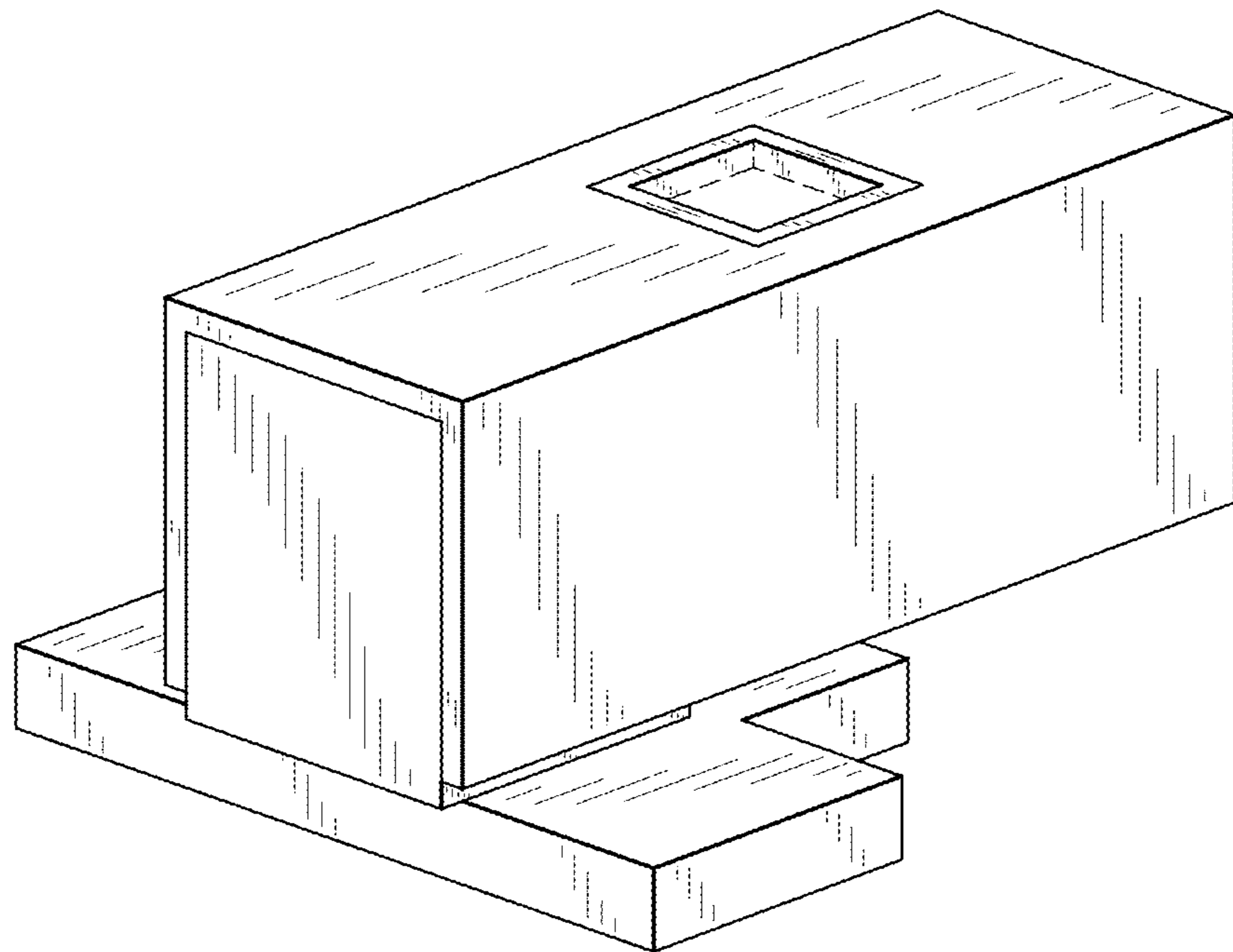


FIG. 1

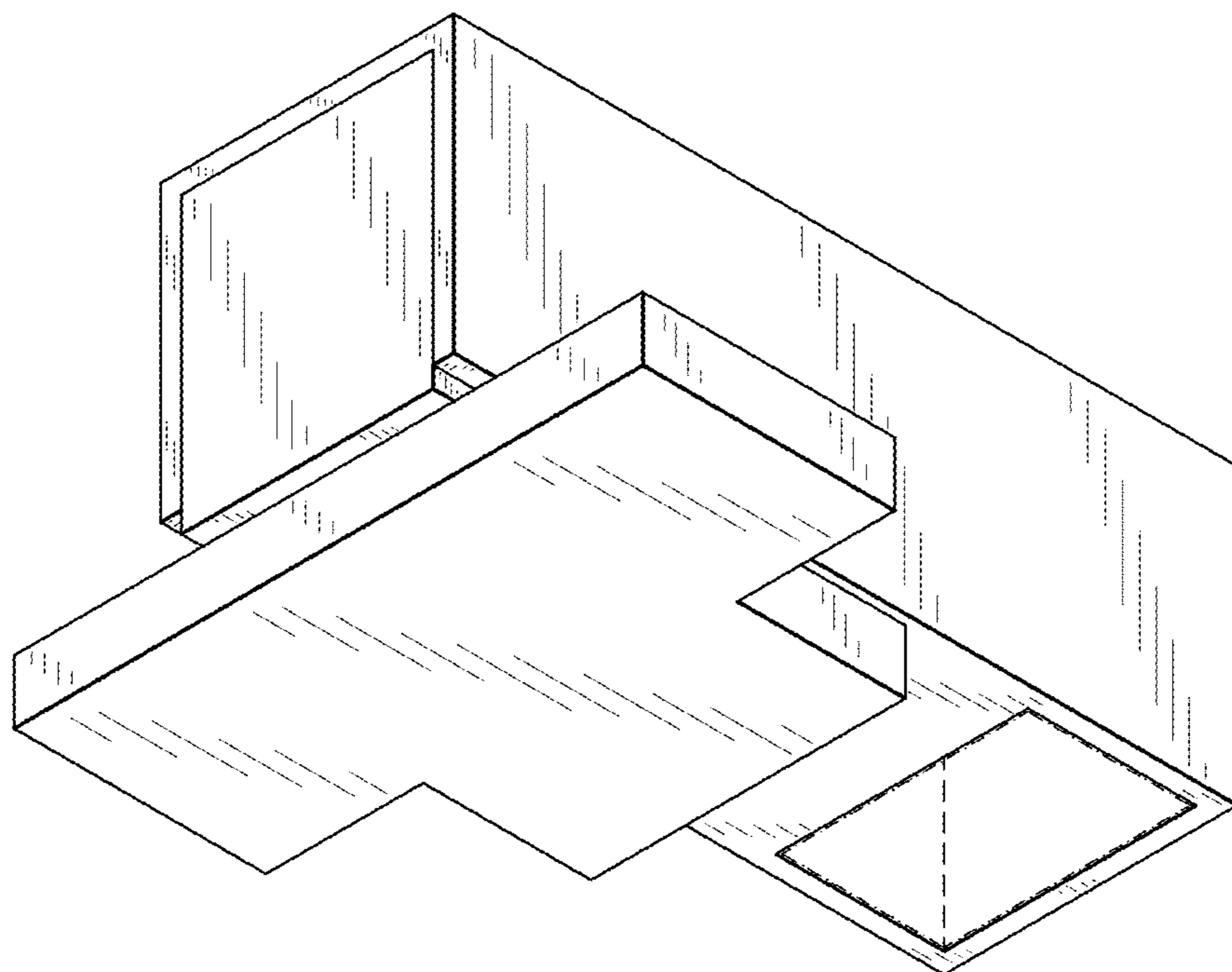


FIG. 2

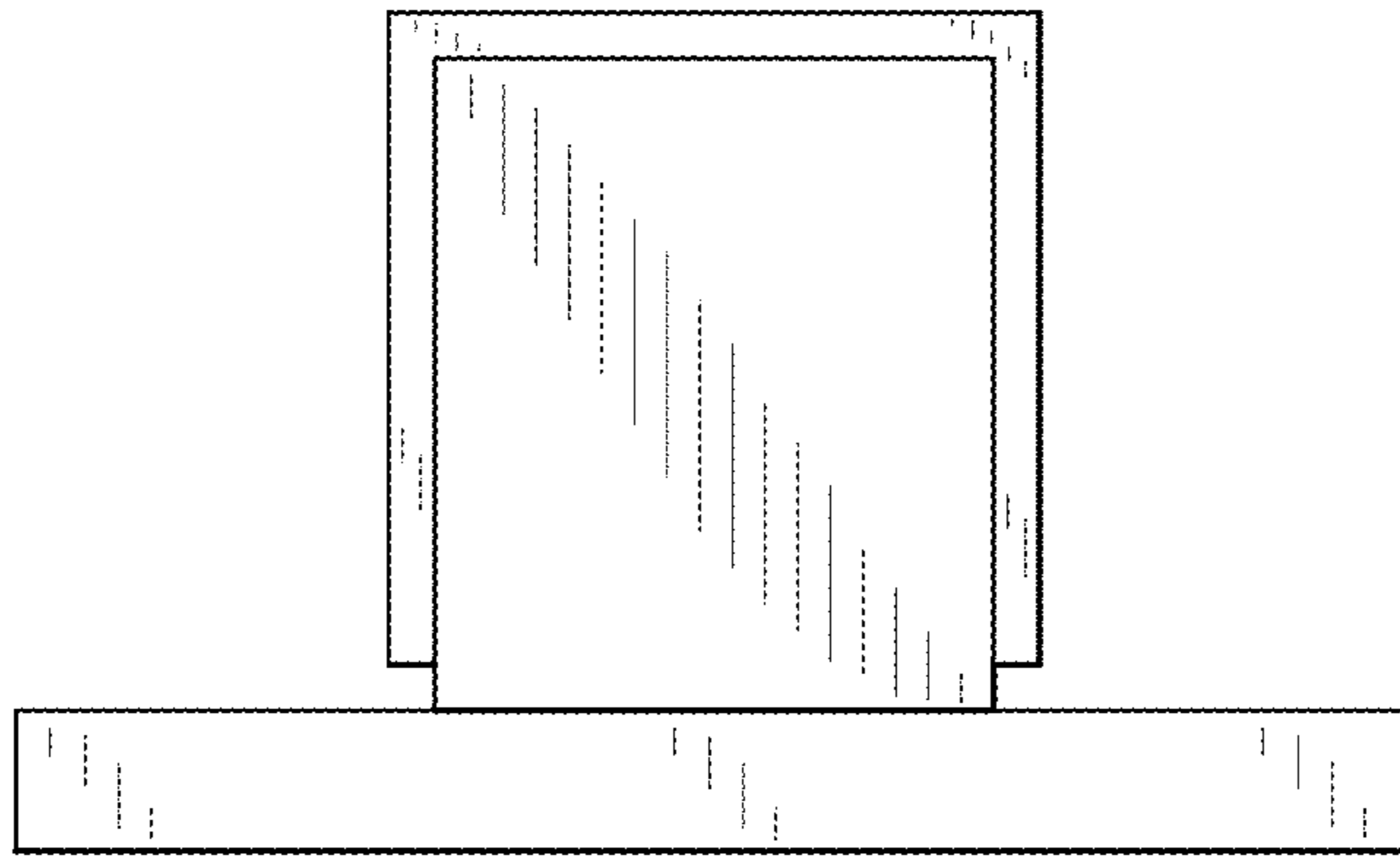


FIG. 3

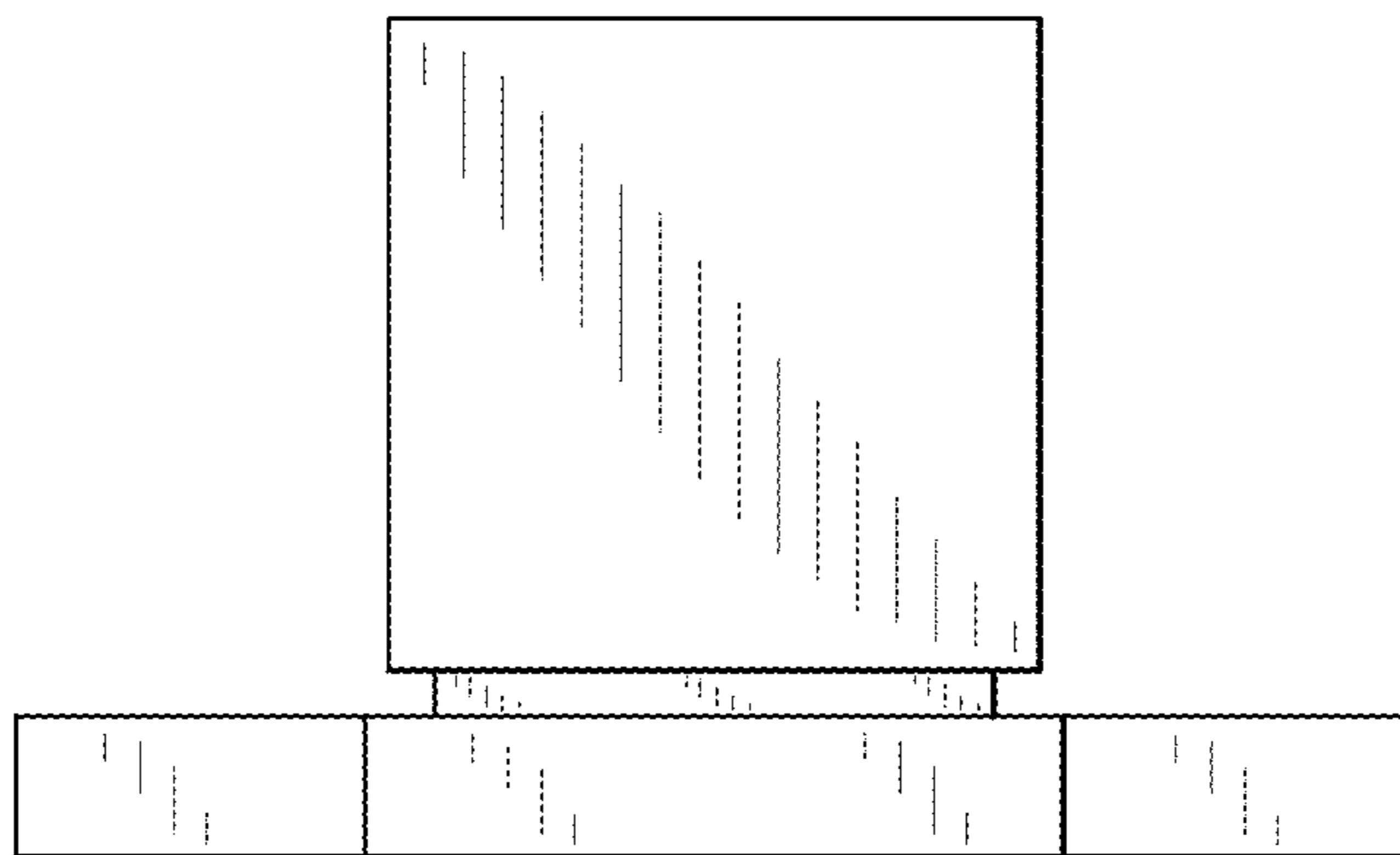


FIG. 4

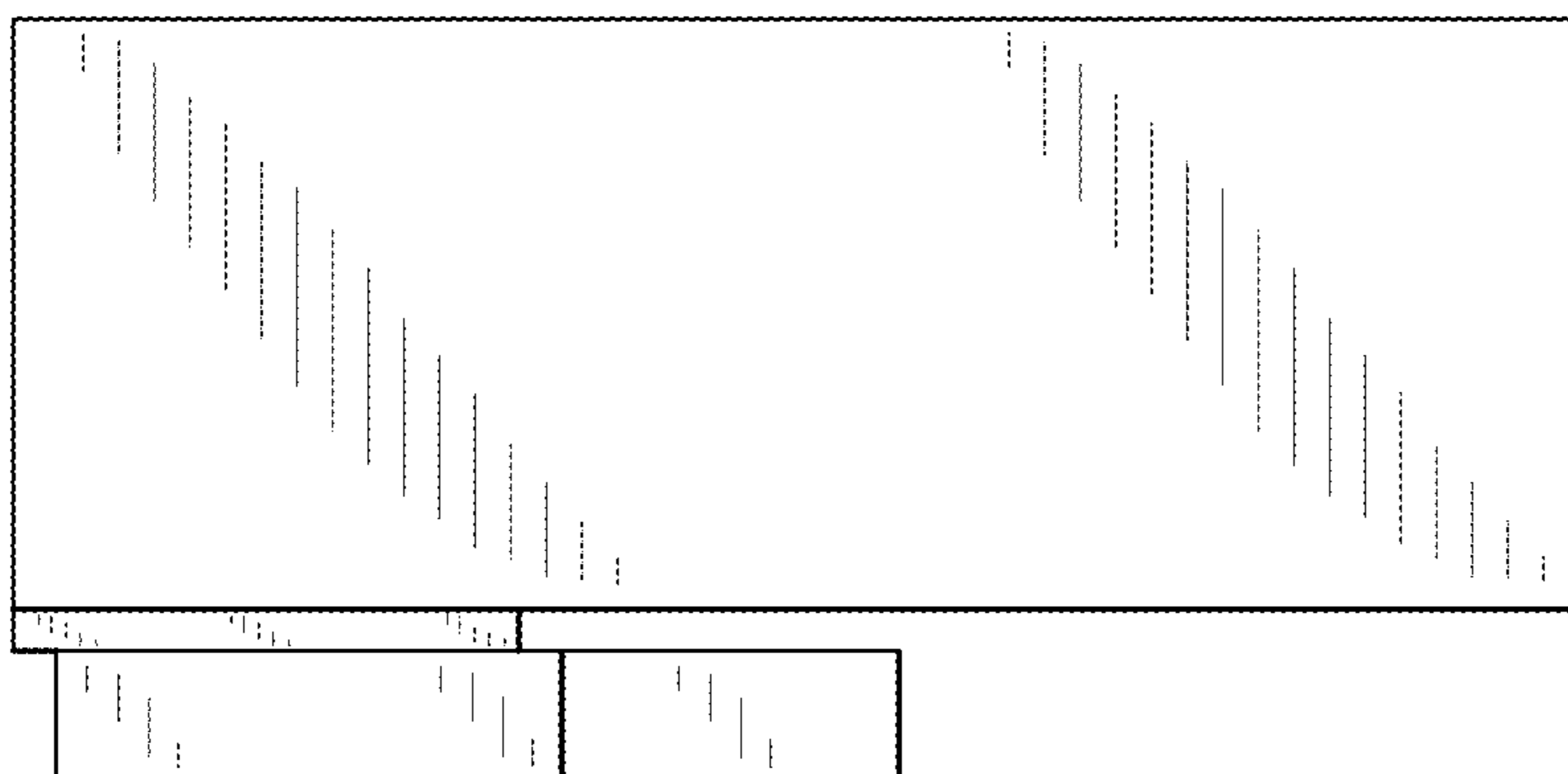


FIG. 5

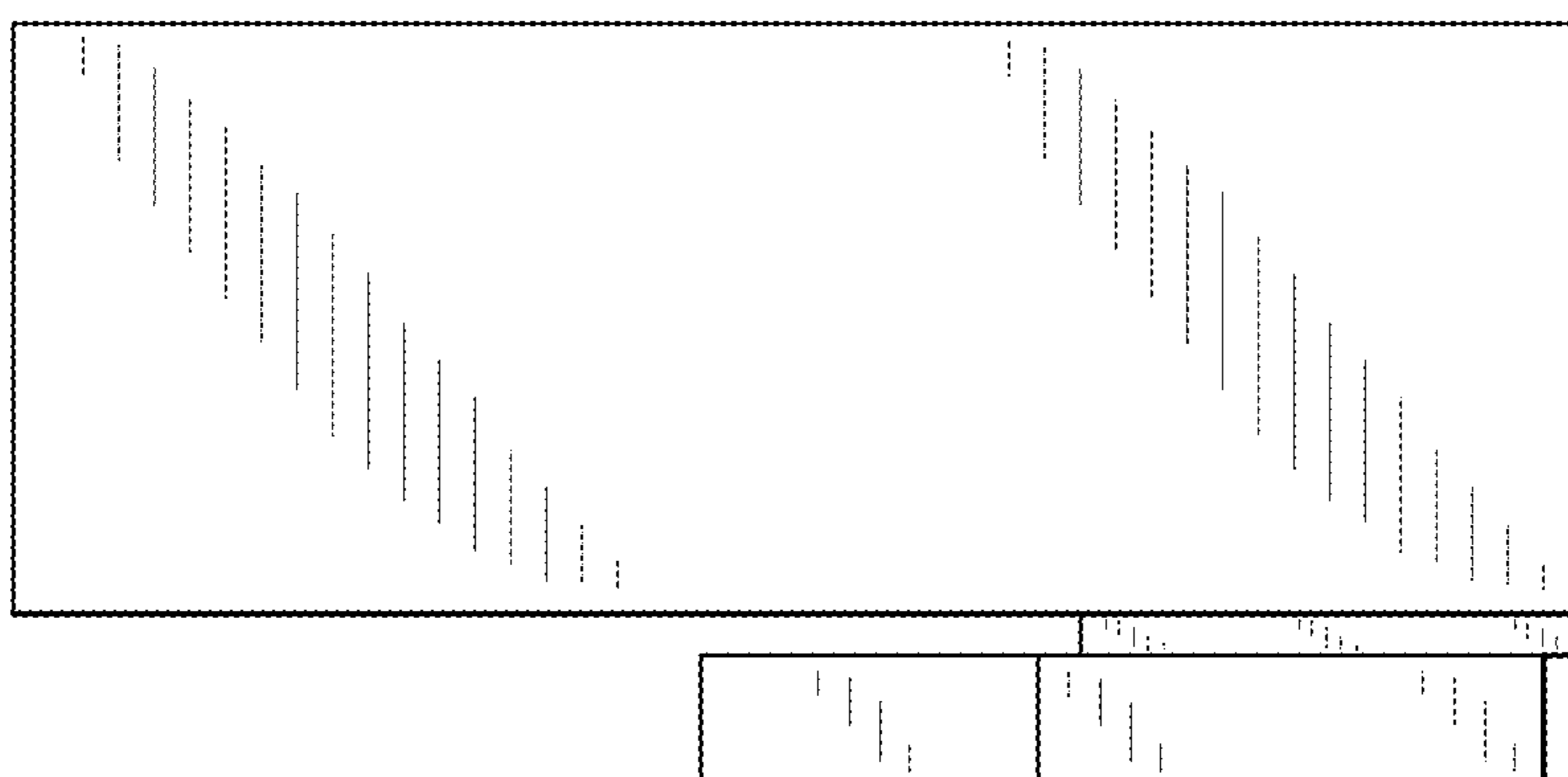


FIG. 6

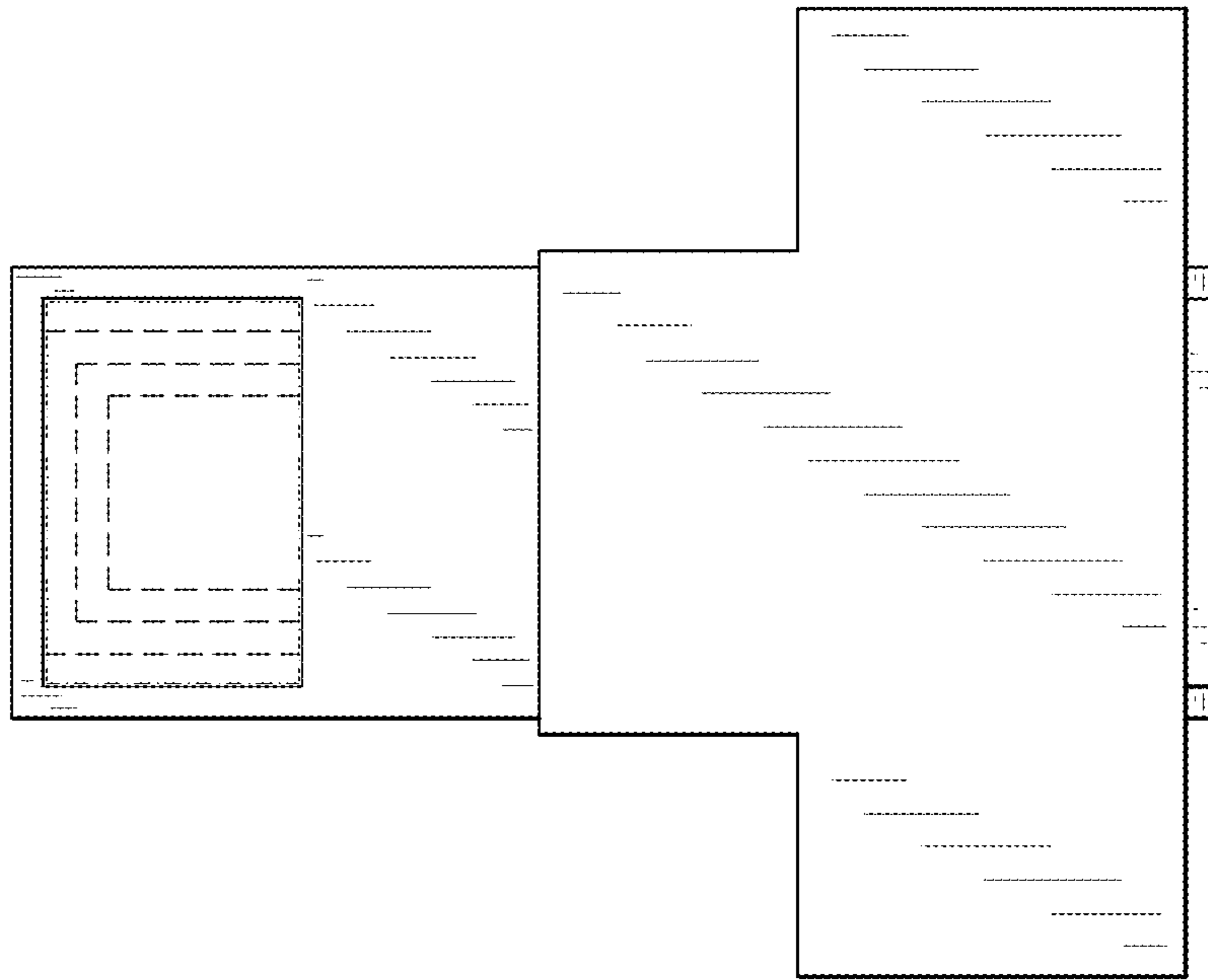


FIG. 7

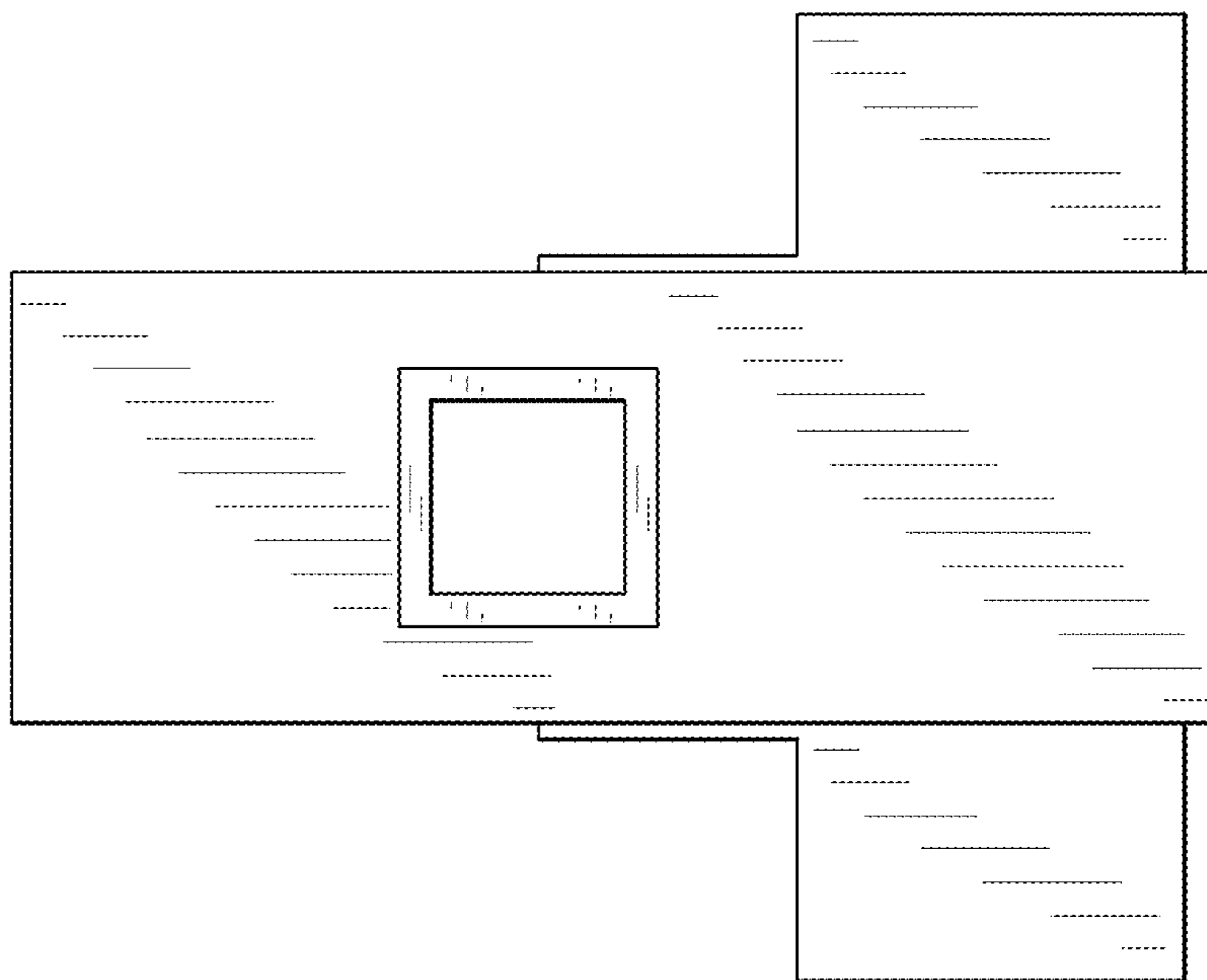


FIG. 8

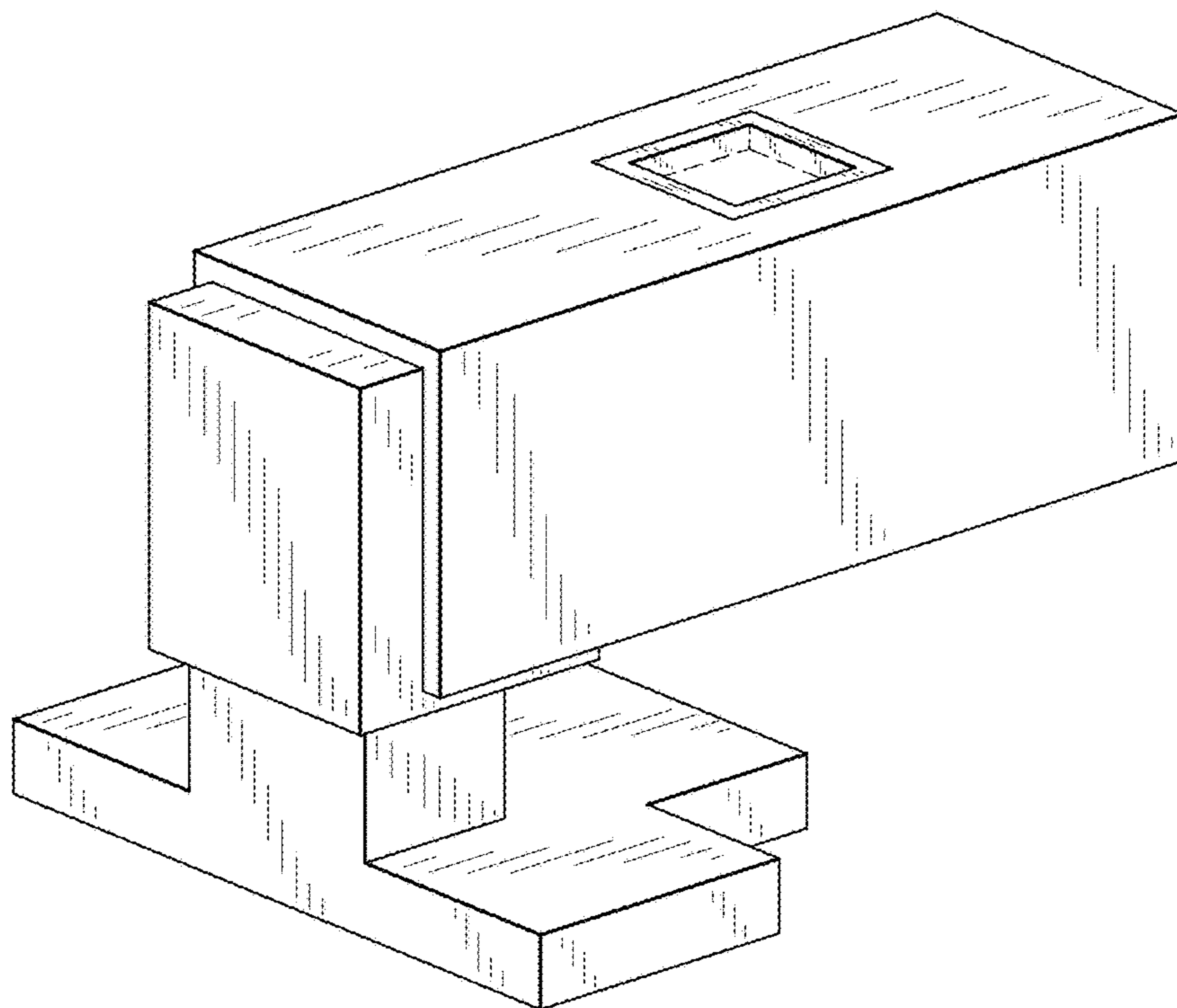


FIG. 9

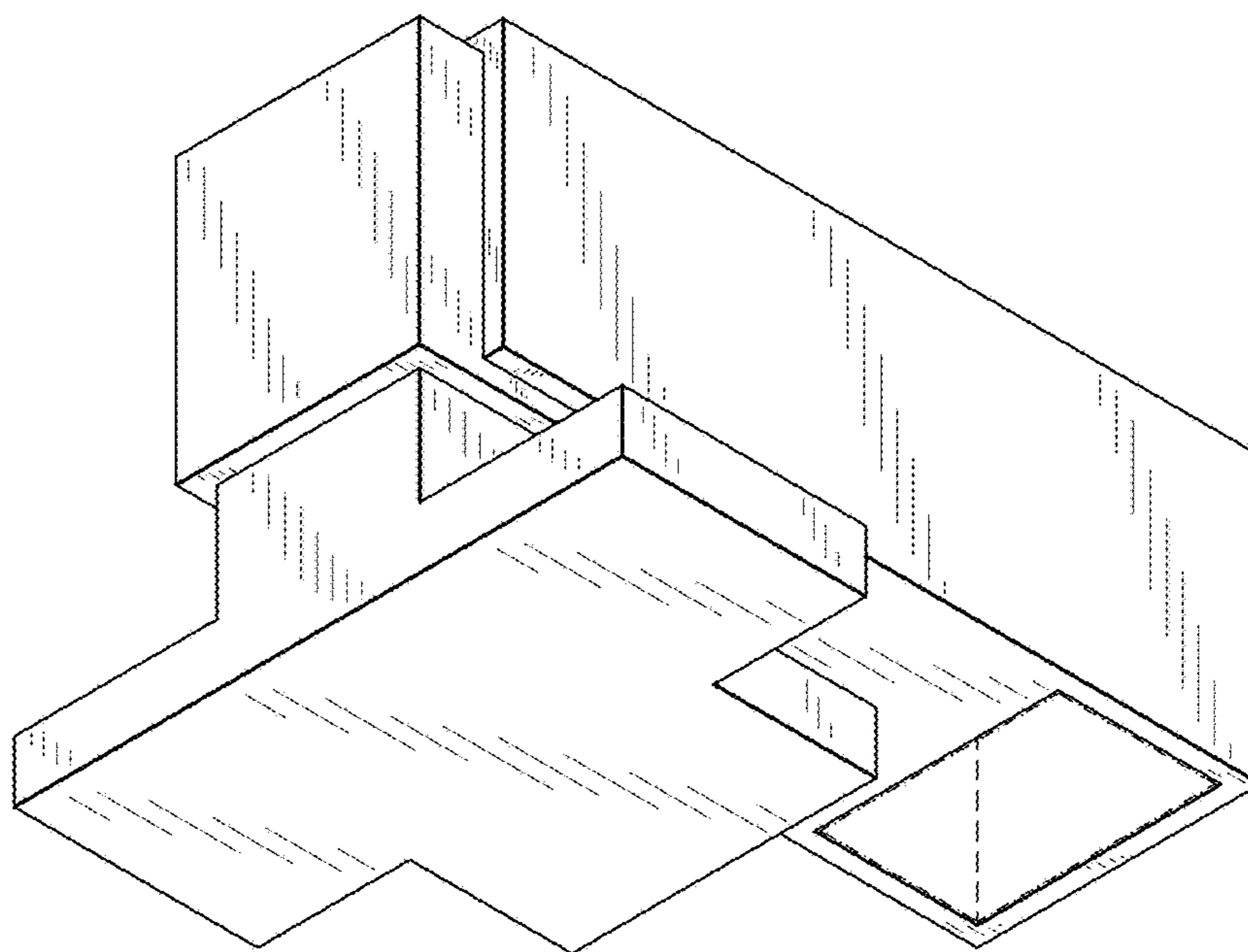


FIG. 10

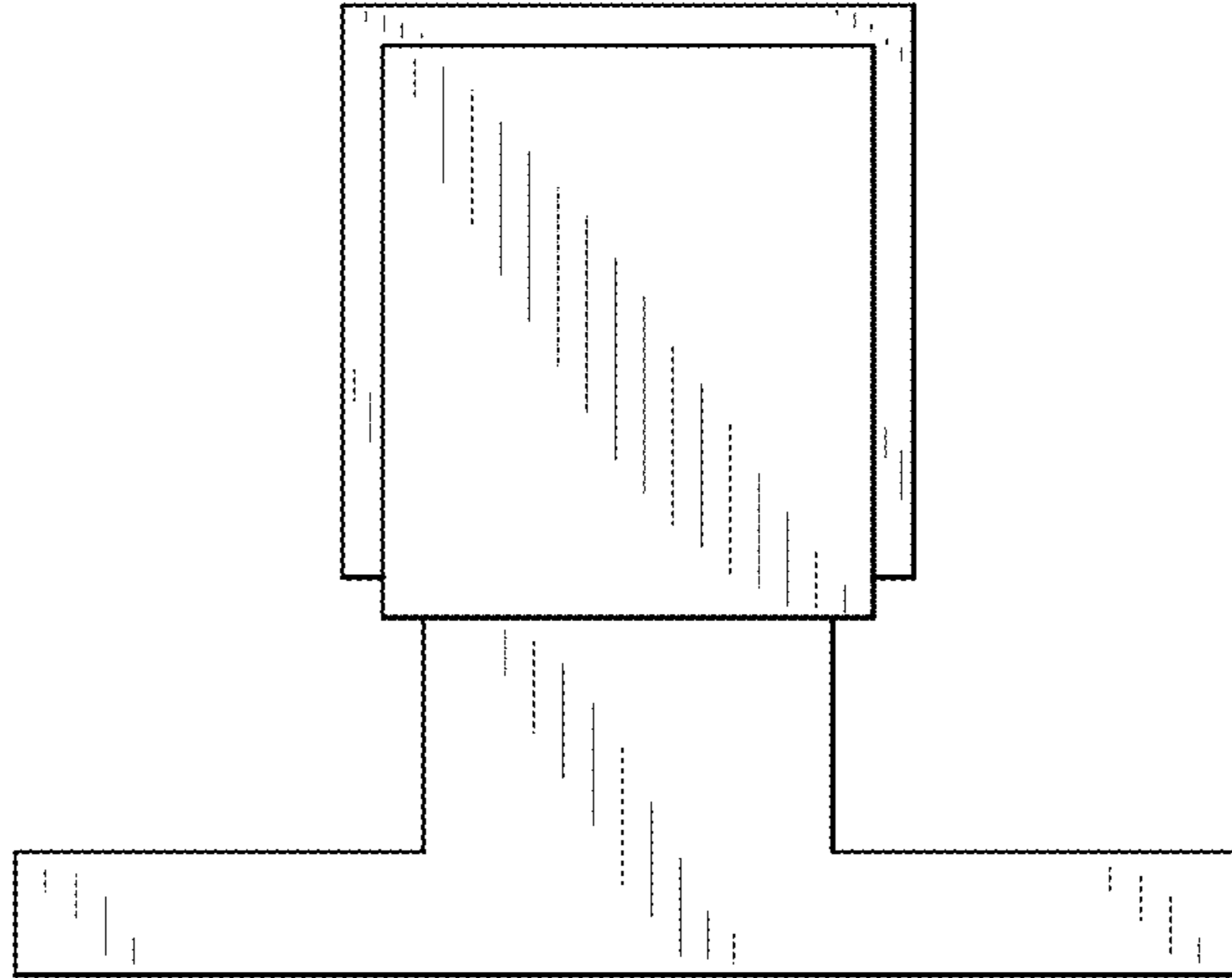


FIG. 11

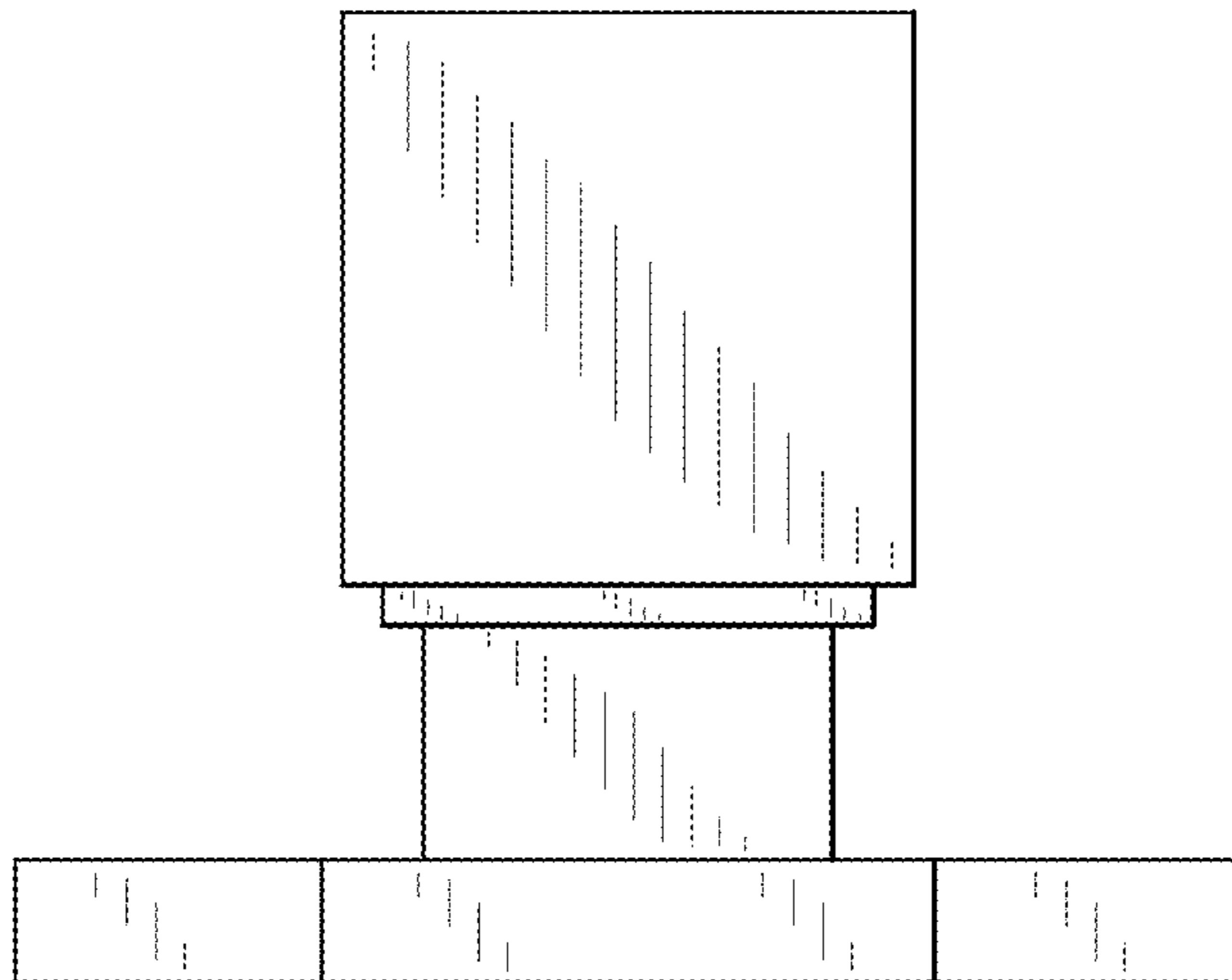


FIG. 12

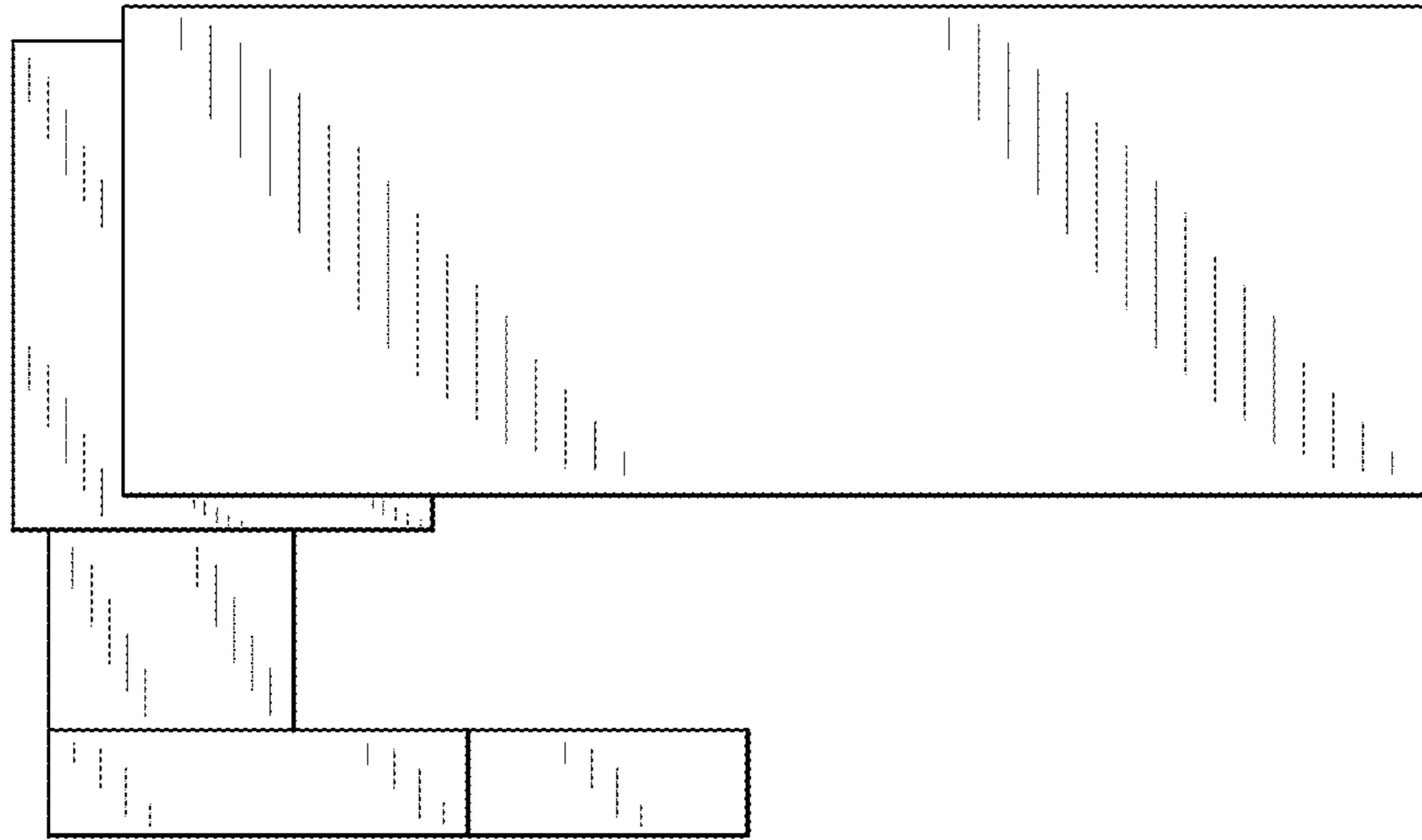


FIG. 13

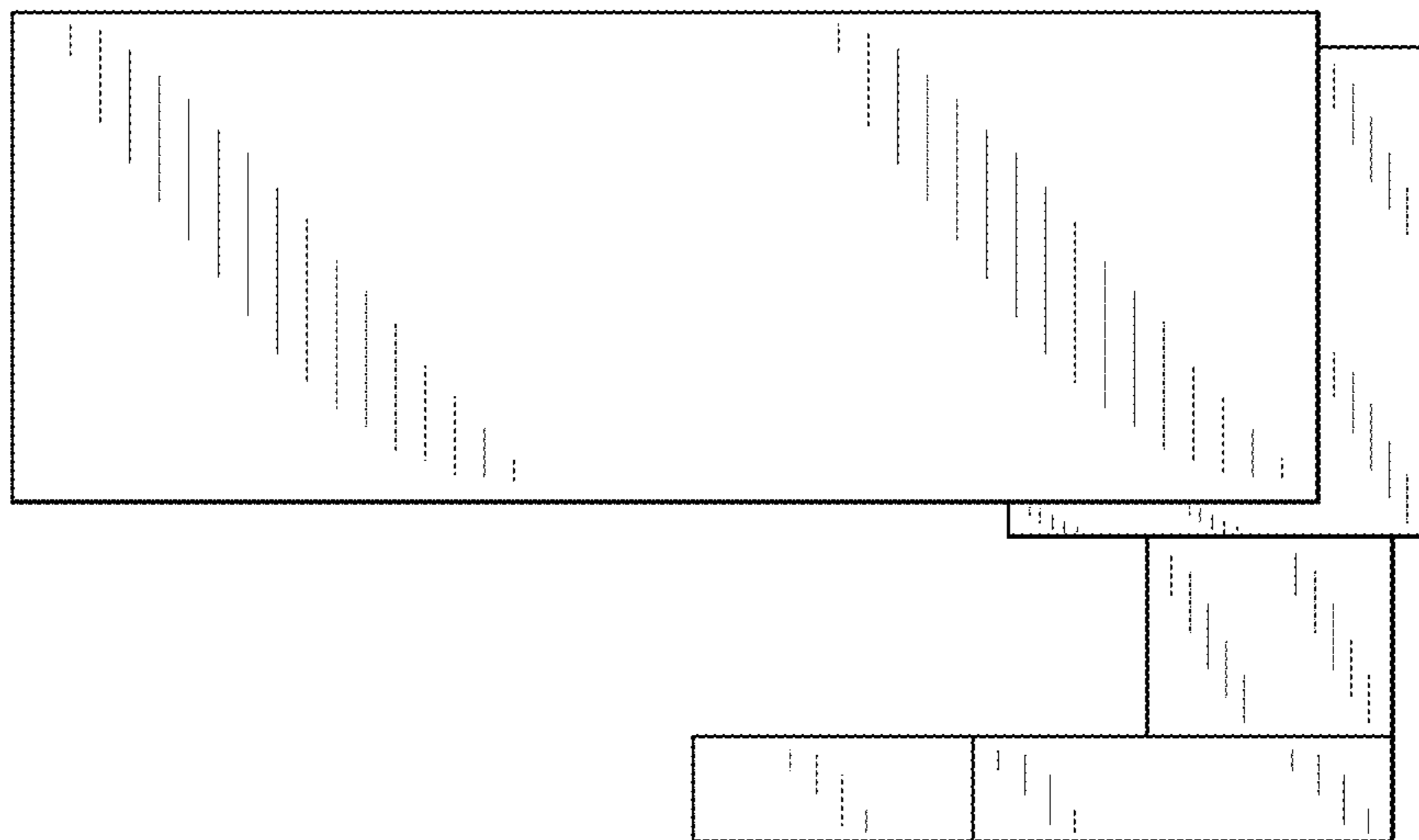


FIG. 14

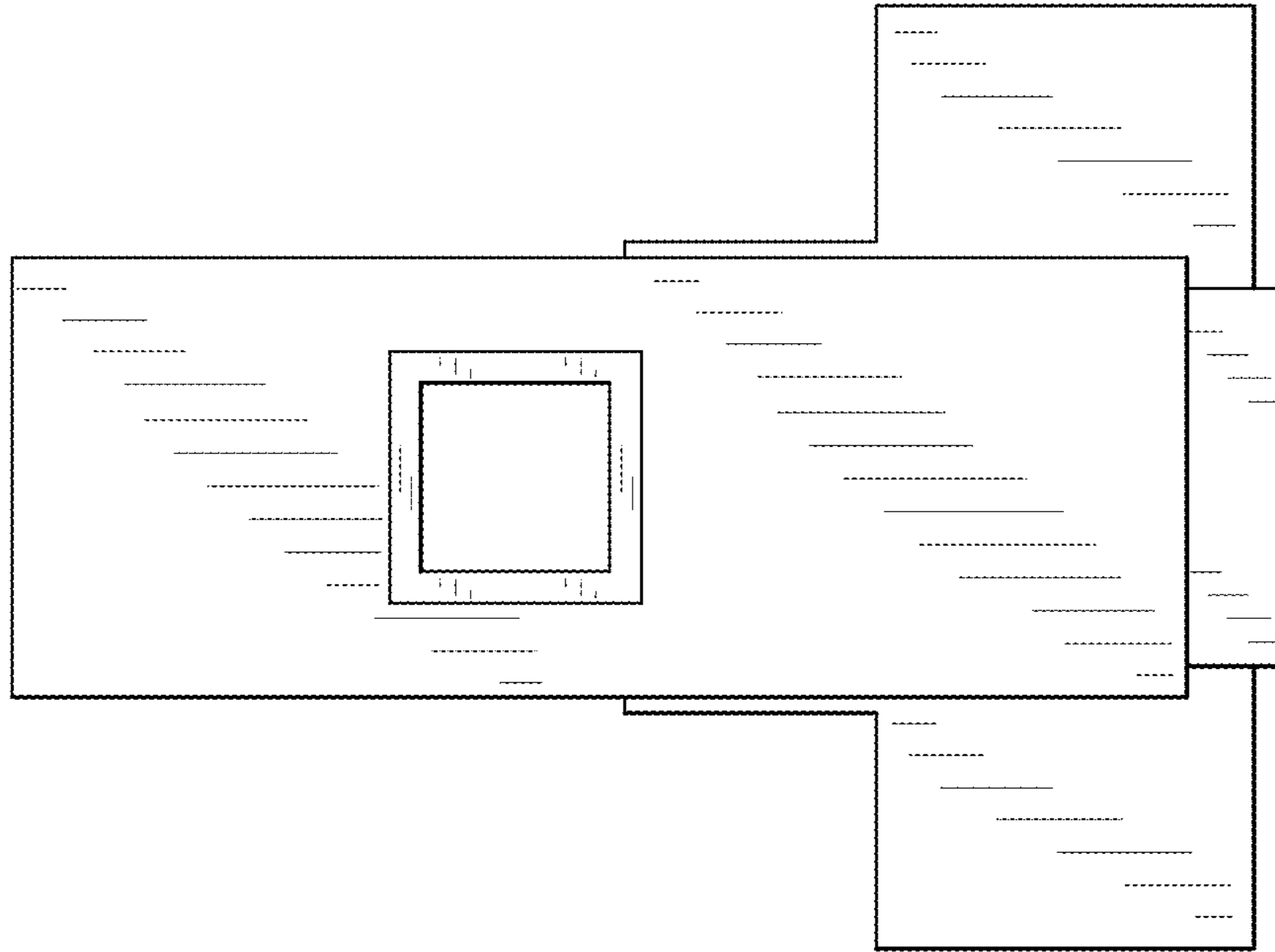


FIG. 15

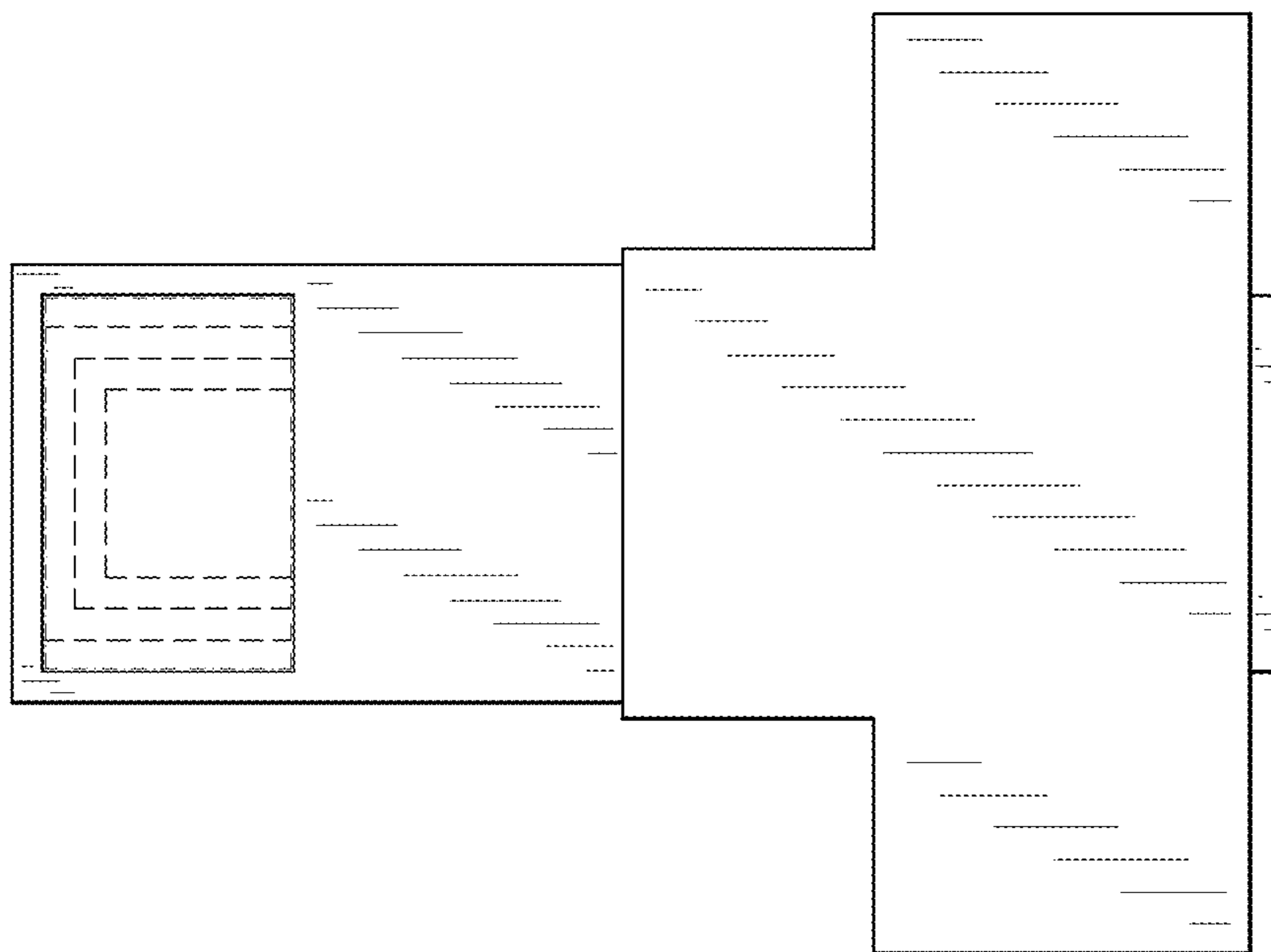


FIG. 16

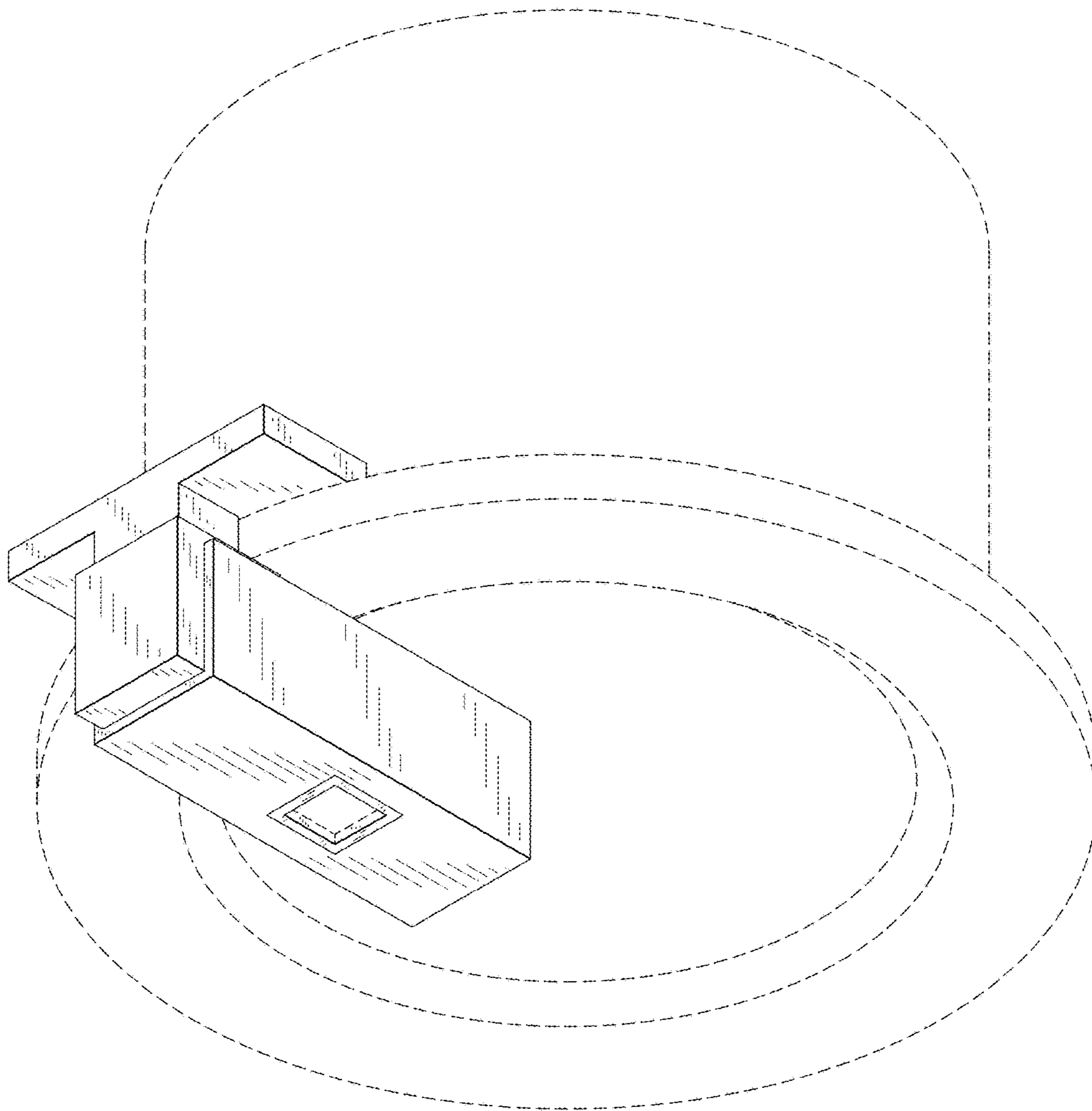


FIG. 17