



US00D808824S

(12) **United States Design Patent**  
**Dupin et al.**

(10) **Patent No.:** **US D808,824 S**  
(45) **Date of Patent:** **\*\* Jan. 30, 2018**

(54) **SHAREABLE APPLE BOX**  
(71) Applicant: **Edible Arrangements, LLC**,  
Wallingford, CT (US)  
(72) Inventors: **Olivia Dupin**, Wallingford, CT (US);  
**Asad Hamid**, Wallingford, CT (US);  
**Xavier Lederer**, Wallingford, CT (US);  
**Cynthia Mockler**, North Haven, CT  
(US)

D663,118 S \* 7/2012 Zalewski ..... D3/273  
D674,691 S \* 1/2013 Martineck ..... D9/432  
D698,567 S \* 2/2014 Chen ..... D6/407  
D709,652 S \* 7/2014 Teller ..... D28/83  
D710,940 S \* 8/2014 Kuehn ..... D19/86  
8,955,928 B2 \* 2/2015 Cheng ..... A47F 5/0018  
220/4.33  
D729,059 S \* 5/2015 Taylor ..... D9/432  
D734,550 S \* 7/2015 Schlatter ..... D28/83  
D741,593 S \* 10/2015 Brown ..... D3/202  
D754,267 S \* 4/2016 Ross ..... D21/686

(Continued)

(73) Assignee: **EDIBLE ARRANGEMENTS, LLC**,  
Wallingford, CT (US)

(\*\*) Term: **15 Years**

(21) Appl. No.: **29/573,366**

(22) Filed: **Aug. 4, 2016**

(51) **LOC (11) Cl.** ..... **09-03**

(52) **U.S. Cl.**  
USPC ..... **D9/761; D9/432**

(58) **Field of Classification Search**  
USPC ..... D9/414-434, 442-445, 456, 457, 542,  
D9/563, 600, 614-624, 655, 657, 658,  
D9/661, 685, 696, 697-699, 707, 708,  
D9/711, 754, 759, 761-762, 772-776;  
D3/273, 276, 304, 305, 307; D7/601,  
D7/602, 709

CPC ..... B65D 5/00; B65D 5/001; B65D 5/0015;  
B65D 5/0227-5/0254; B65D 5/18; B65D  
5/38; B65D 5/40; B65D 5/2033; B65D  
5/6605; B65D 5/48024; B65D 1/22;  
B65D 1/24; B65D 1/34; B65B 5/06

See application file for complete search history.

(56) **References Cited**

**U.S. PATENT DOCUMENTS**

D365,729 S \* 1/1996 Wold ..... D6/667  
D616,742 S \* 6/2010 Lymn ..... D9/432  
D621,704 S \* 8/2010 Lymn ..... D9/432  
D662,140 S \* 6/2012 Huang ..... D19/84

**OTHER PUBLICATIONS**

The Elite Gourmet Shareable™ Gift Set. [online] Published date unknown. Retrieved on Jul. 11, 2017 from <URL: <https://www.ediblearrangements.com/fruit-gifts/The-Elite-Gourmet-Shareable-Gift-Set-4004>>.\*

*Primary Examiner* — Vy N Koenig

*Assistant Examiner* — Omeed Agilee

(74) *Attorney, Agent, or Firm* — DLA Piper LLP (US)

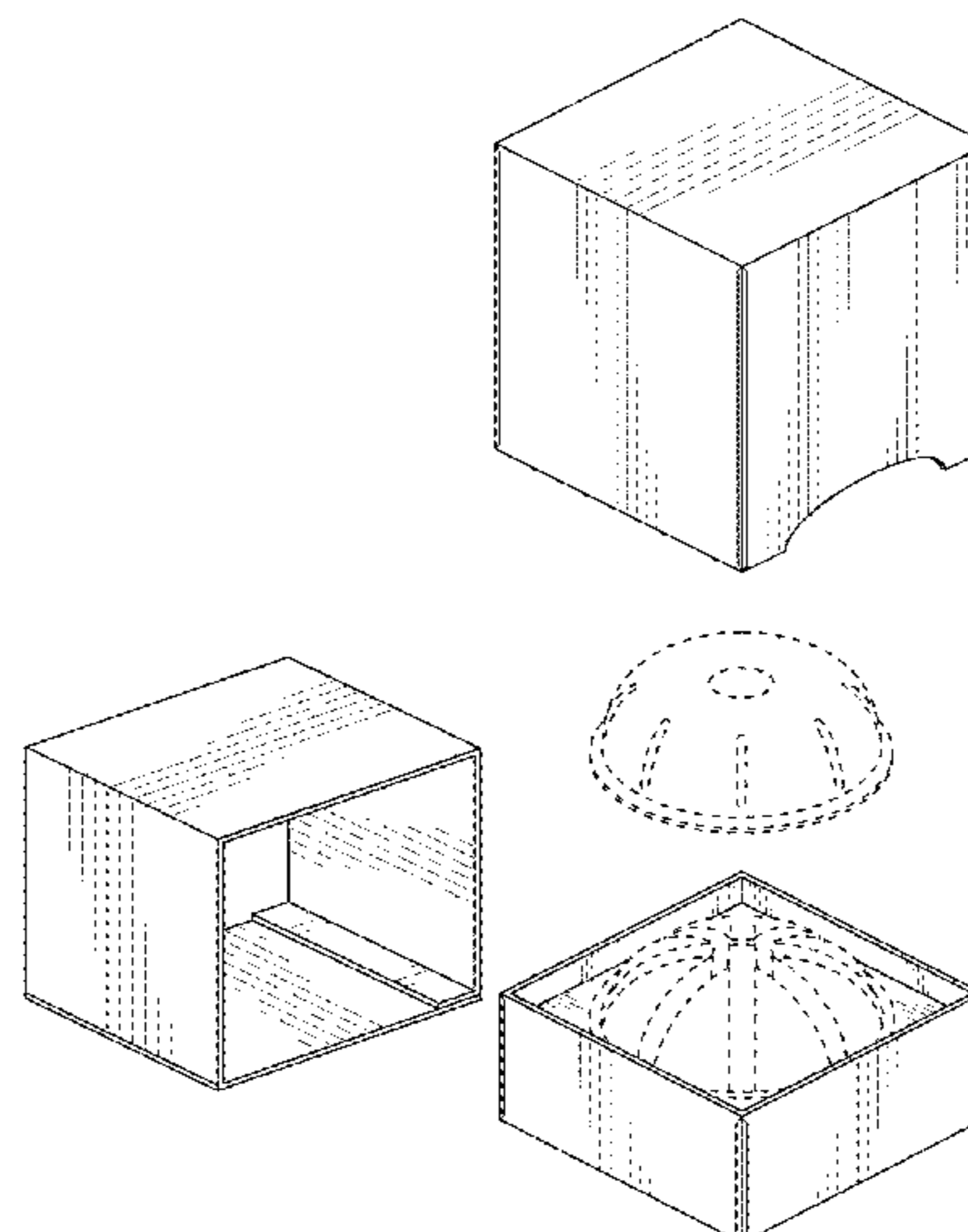
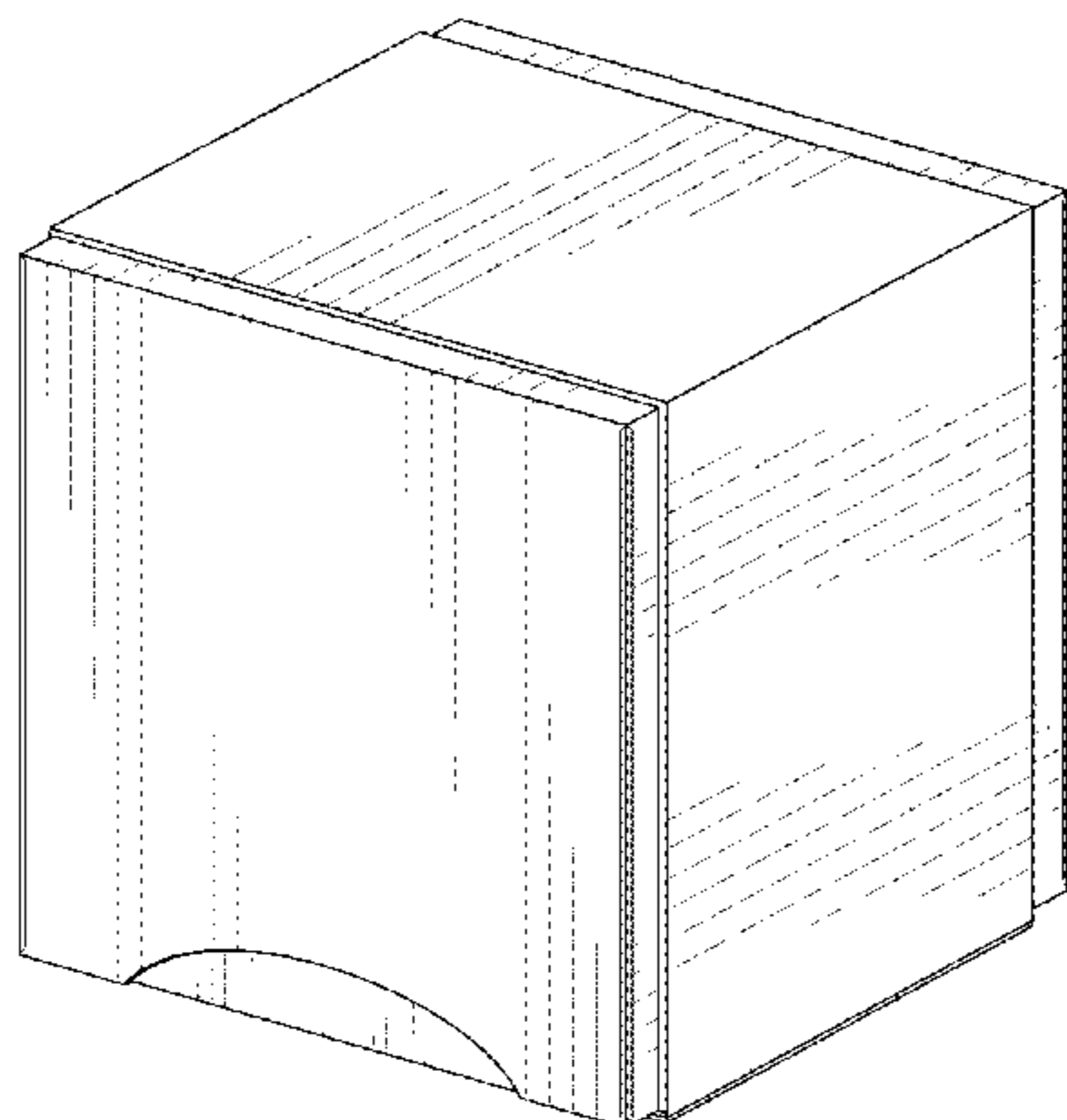
(57) **CLAIM**

The ornamental design for a shareable apple box, as shown and described.

**DESCRIPTION**

FIG. 1 is a front, left, and top perspective view of a sharable apple box in accordance with the present invention; FIG. 2 is a front view thereof; FIG. 3 is a back view thereof; FIG. 4 is a left side view thereof; FIG. 5 is a right side view thereof; FIG. 6 is a top view thereof; FIG. 7 is a bottom view thereof; FIG. 8 is an exploded view thereof; and, FIG. 9 is a semi-exploded view thereof. The broken lines in the drawings depict environmental subject matter and form no part of the claimed design.

**1 Claim, 9 Drawing Sheets**



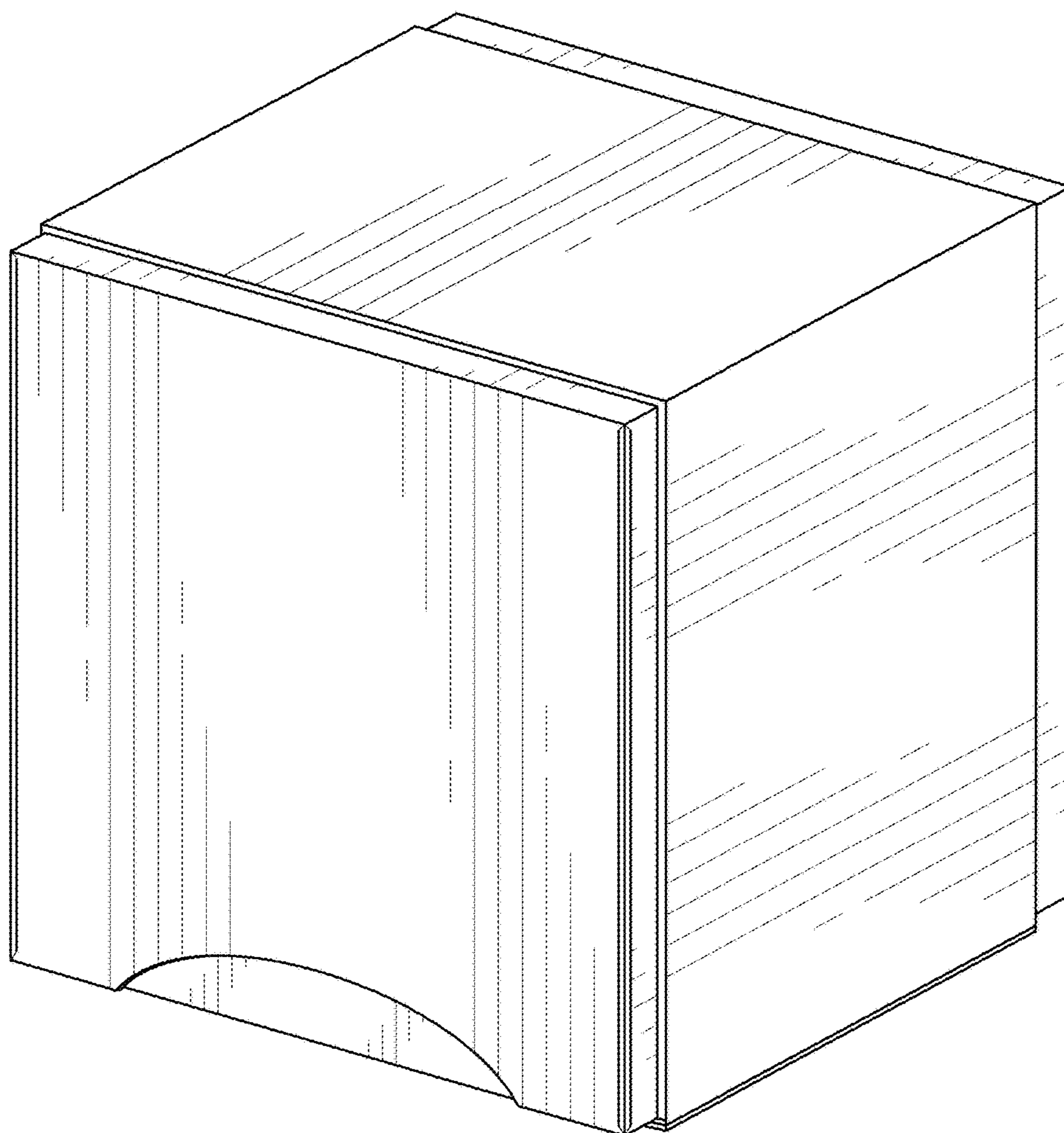
(56)

**References Cited**

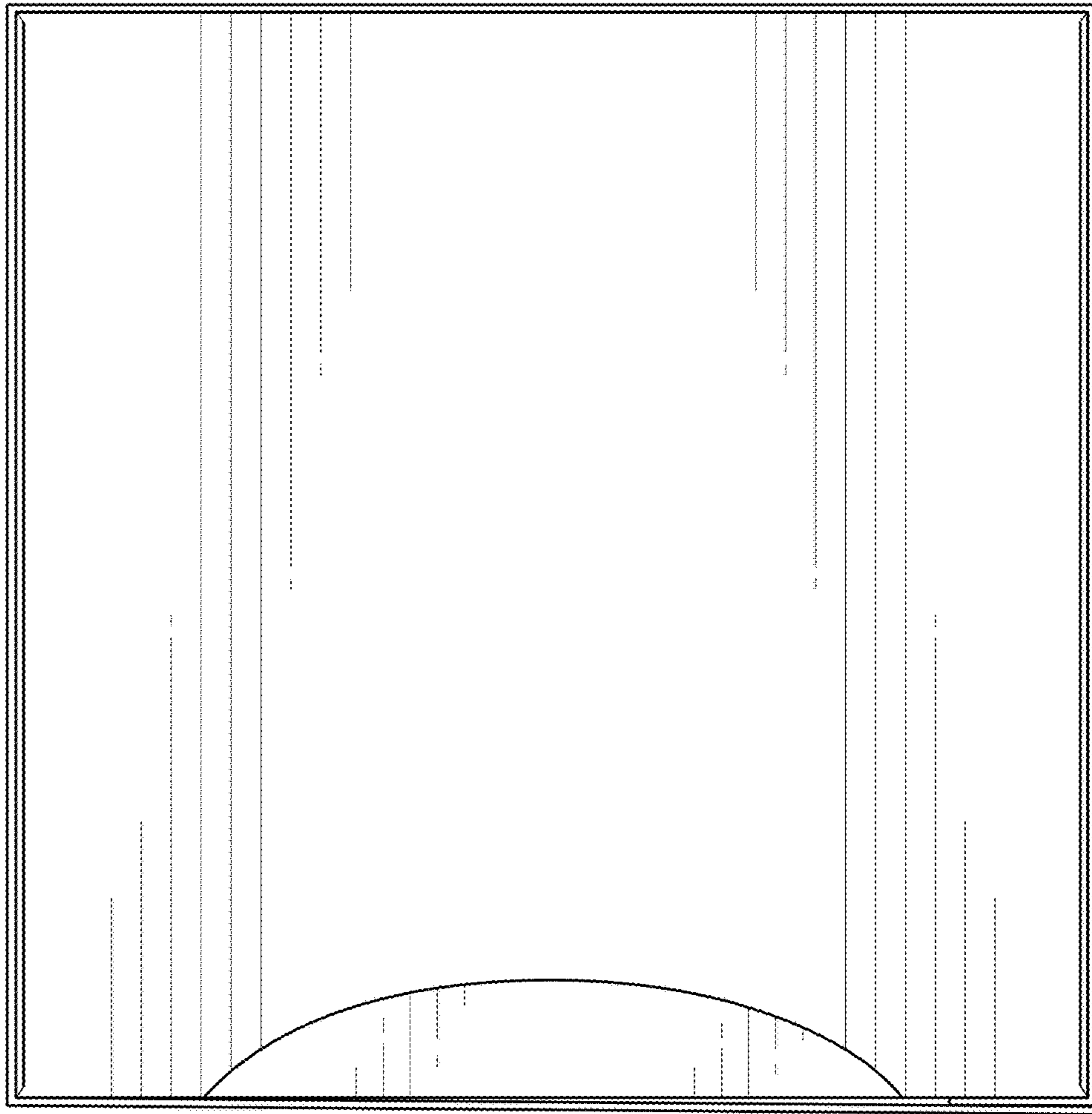
U.S. PATENT DOCUMENTS

D763,603 S \* 8/2016 Bartelmuss ..... D6/664  
D780,488 S \* 3/2017 Celano ..... D6/672  
D786,062 S \* 5/2017 Ogdon ..... D9/432  
2017/0050797 A1\* 2/2017 Farid ..... B65D 85/34

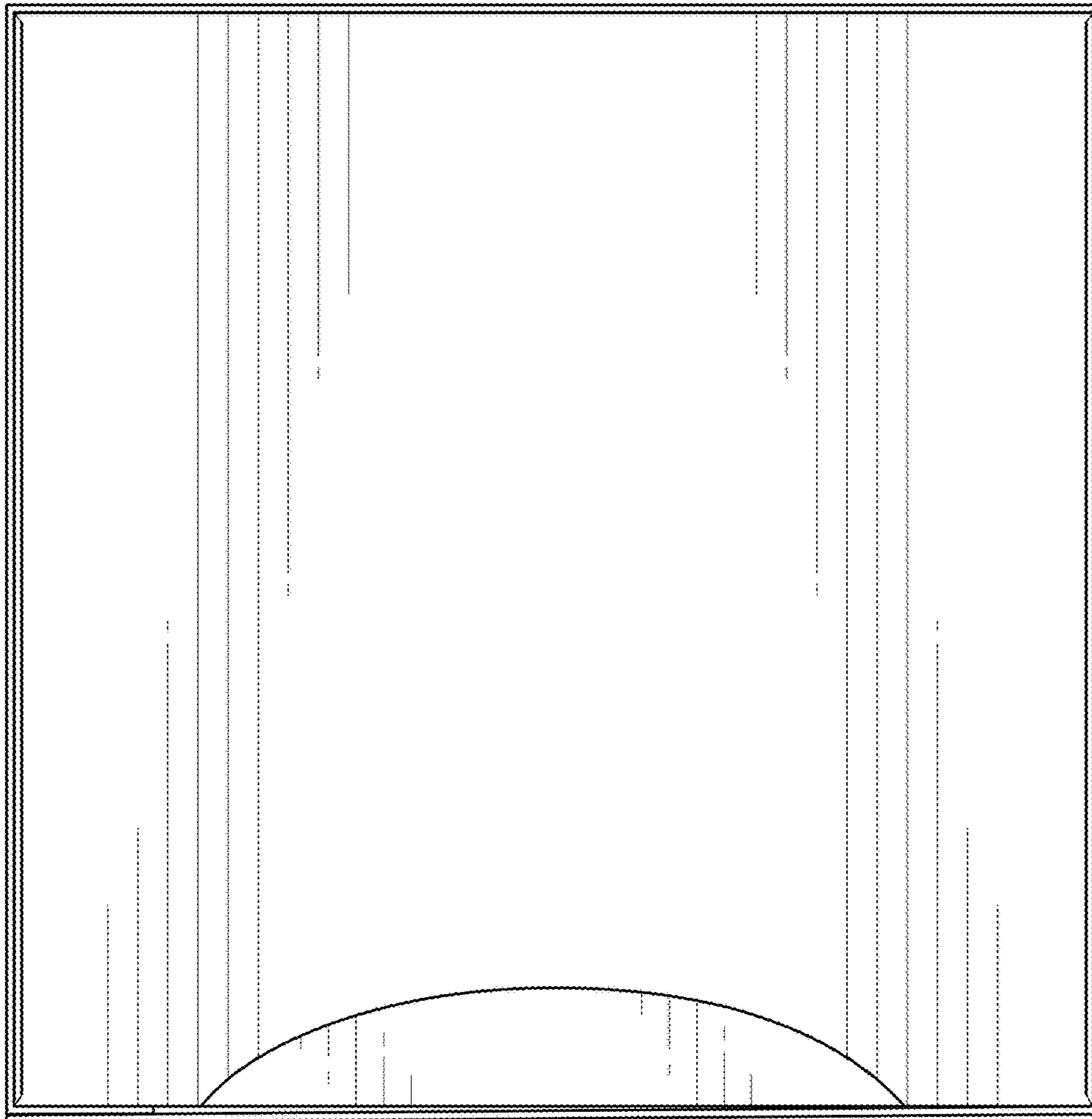
\* cited by examiner



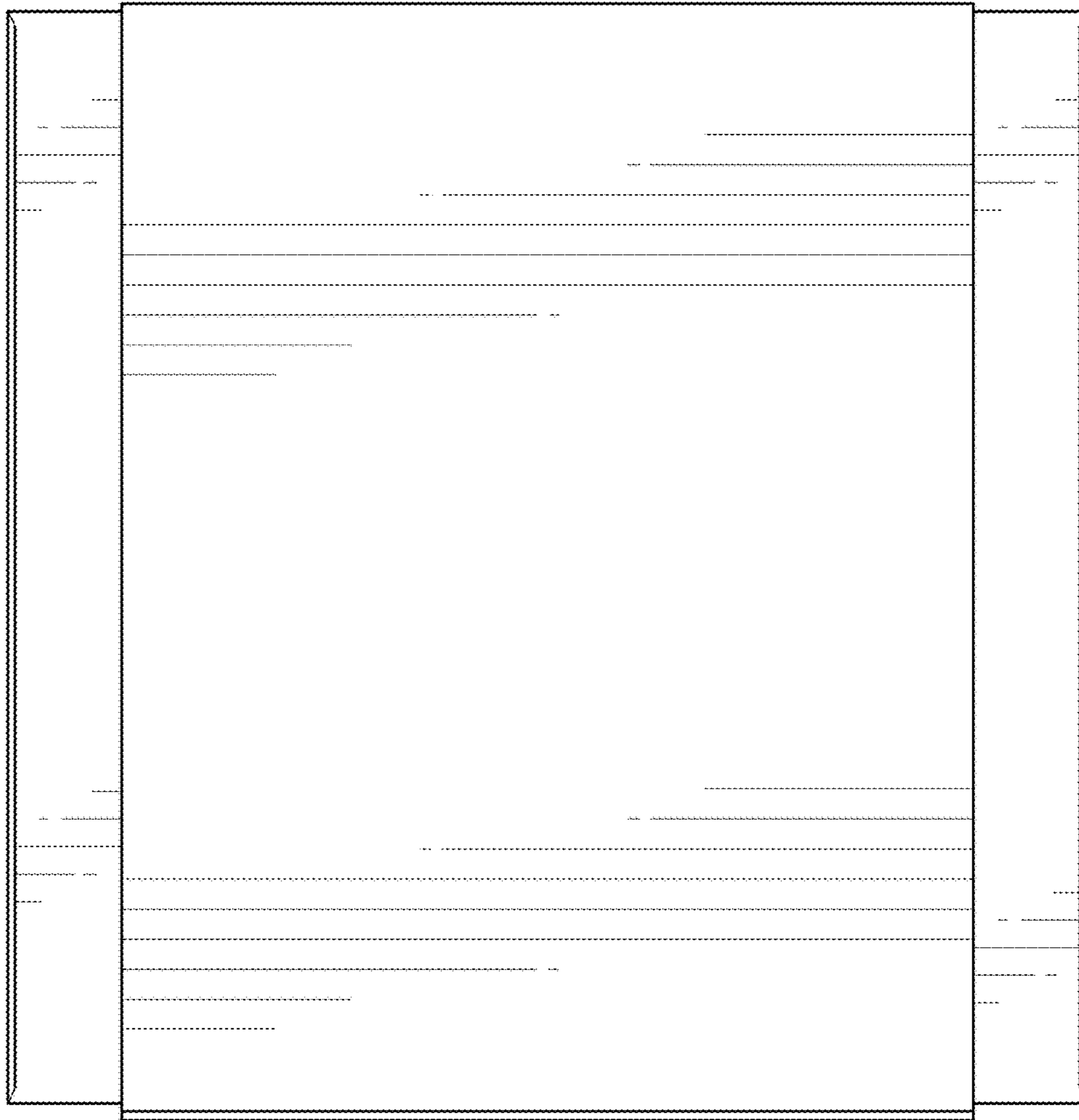
**FIG. 1**



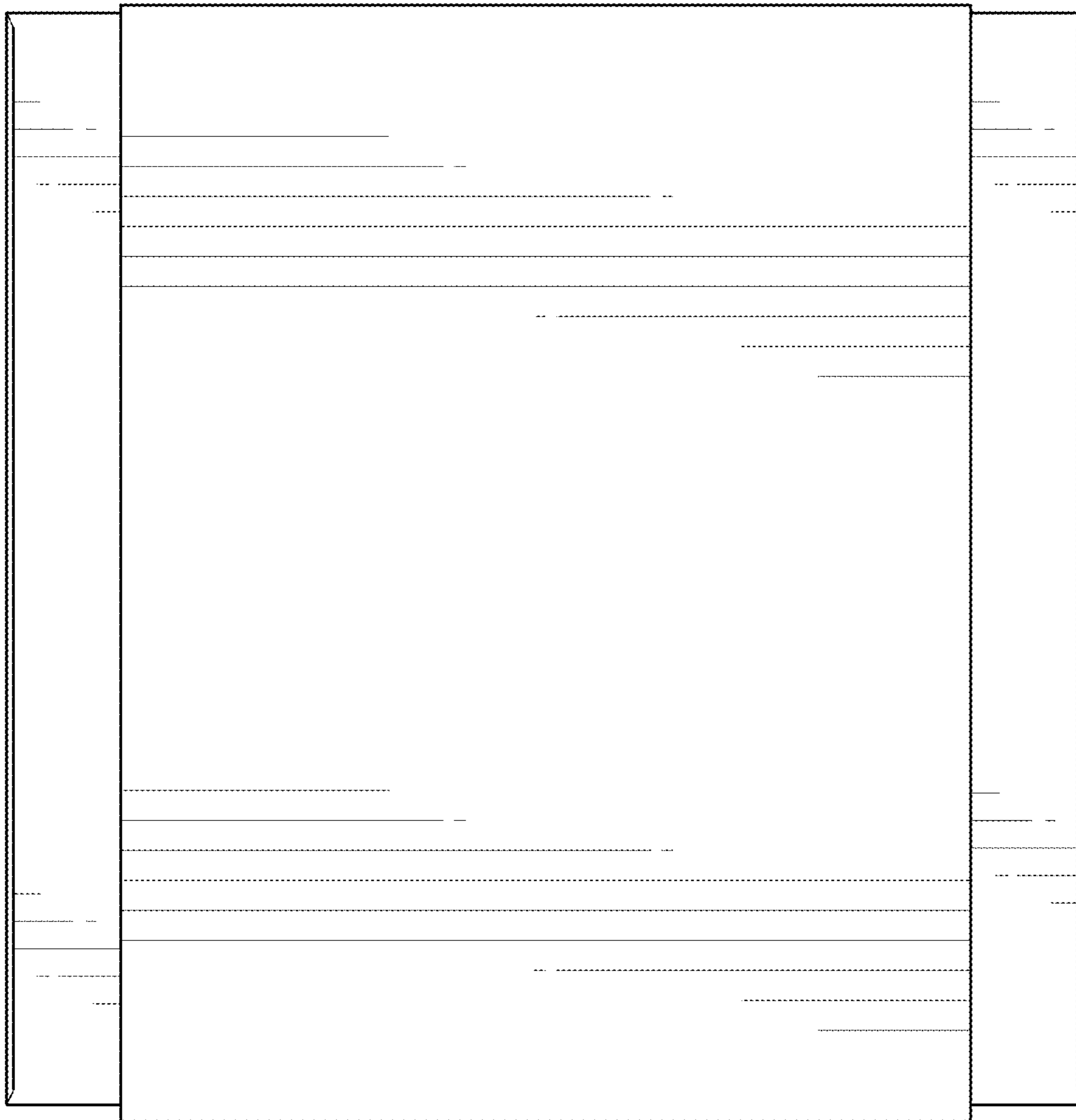
**FIG. 2**



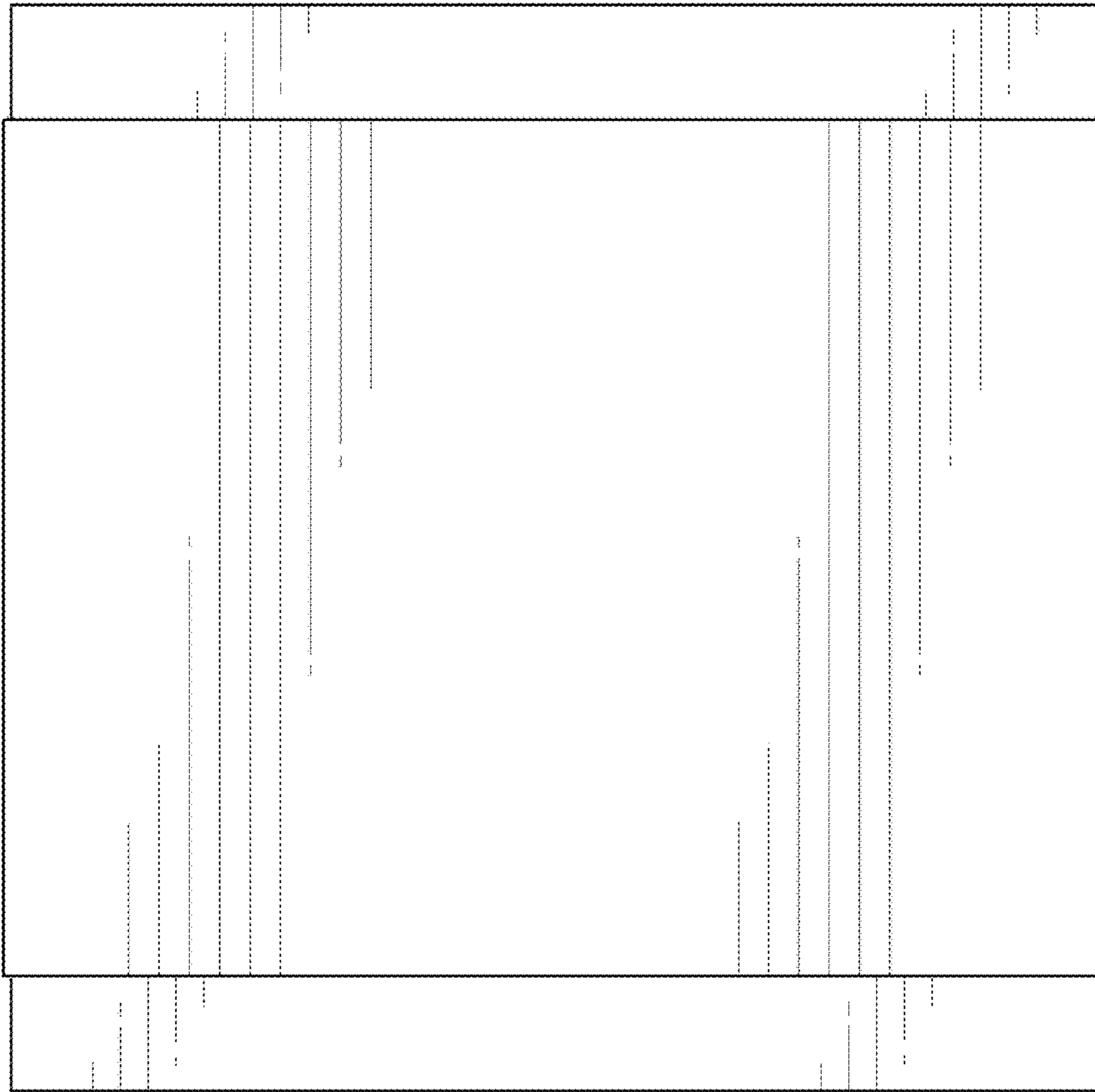
**FIG. 3**



**FIG. 4**

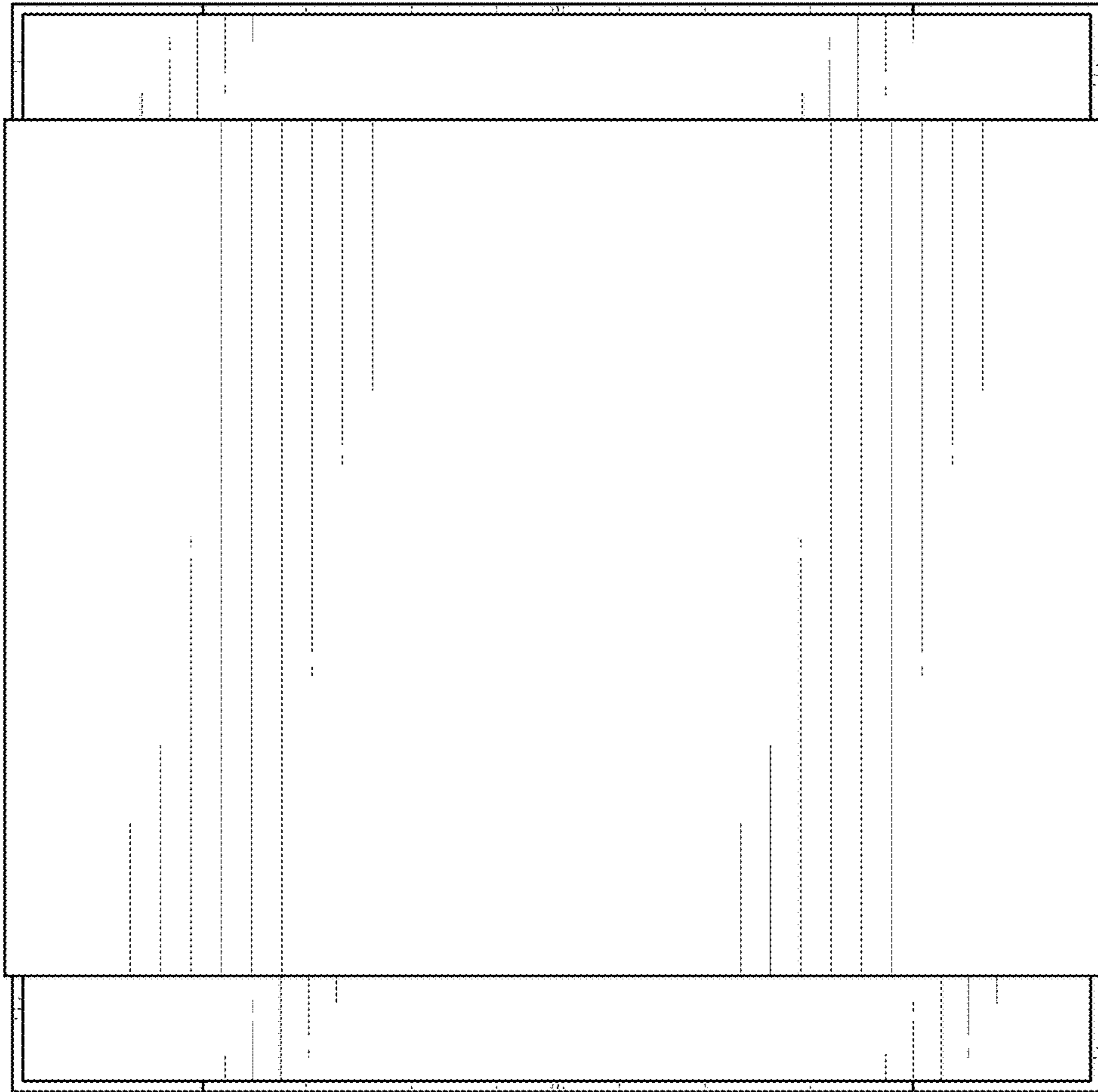


**FIG. 5**

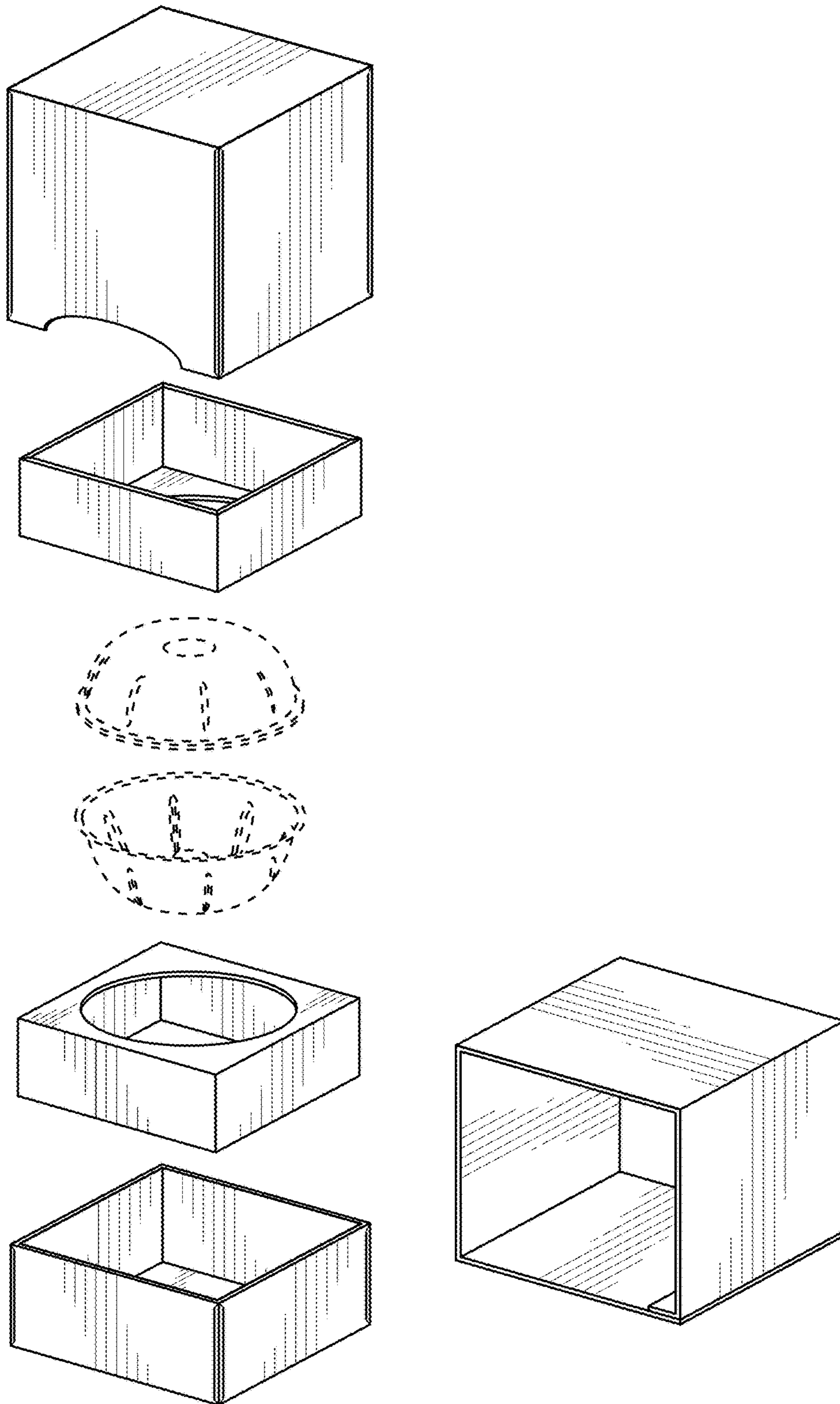


**FIG. 6**

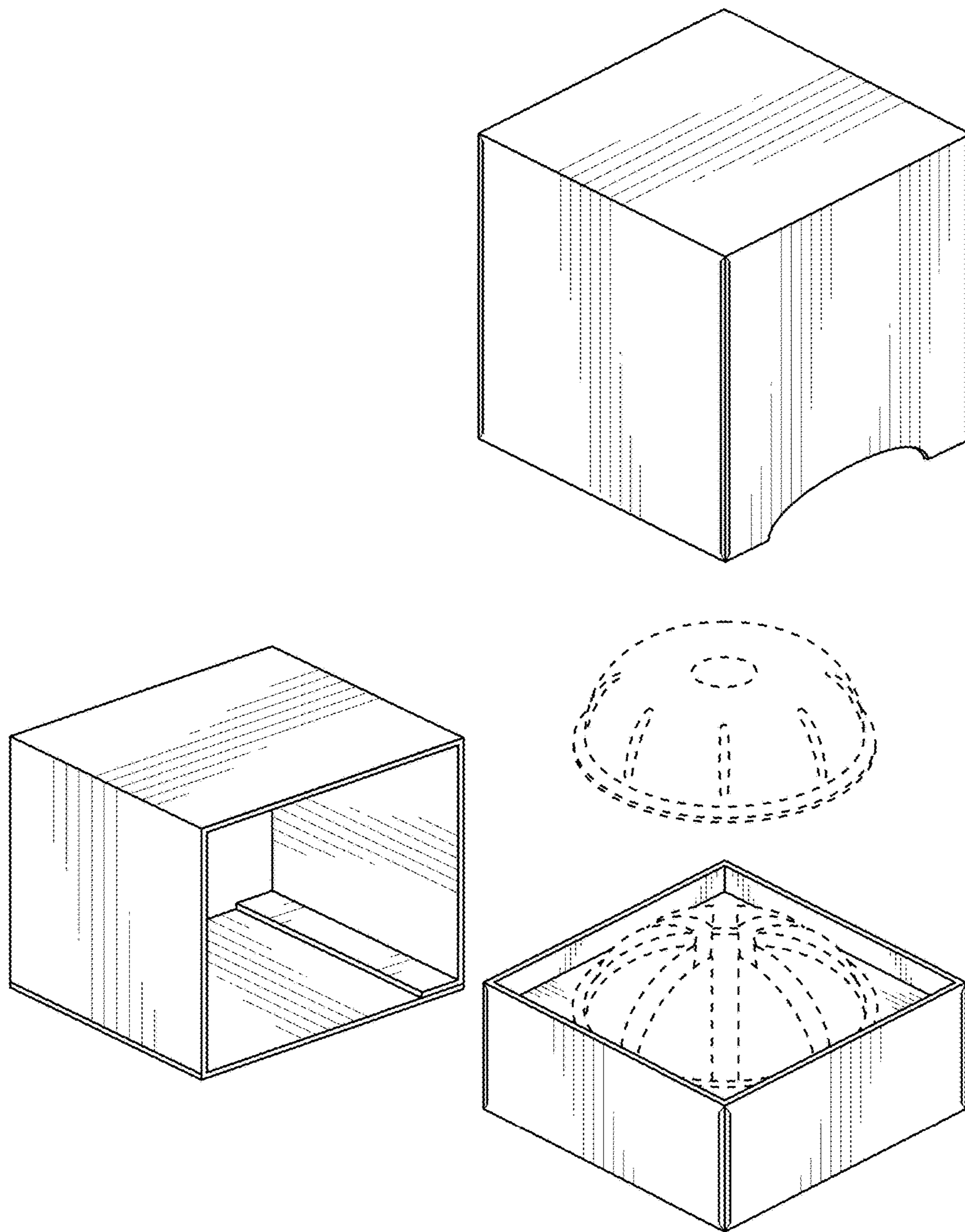




**FIG. 7**



**FIG. 8**



**FIG. 9**