



US00D808823S

(12) **United States Design Patent** (10) **Patent No.:** **US D808,823 S**
Greene et al. (45) **Date of Patent:** **** Jan. 30, 2018**

- (54) **PACKAGE**
- (71) Applicant: **The Gillette Company LLC**, Boston, MA (US)
- (72) Inventors: **Jeffrey Allen Greene**, Milton, MA (US); **Angel Nafarrete Barrozo**, Medford, MA (US)
- (73) Assignee: **The Gillette Company LLC**, Boston, MA (US)
- (**) Term: **15 Years**
- (21) Appl. No.: **29/586,236**
- (22) Filed: **Dec. 1, 2016**
- (51) **LOC (11) Cl.** **09-03**
- (52) **U.S. Cl.**
USPC **D9/748**
- (58) **Field of Classification Search**
USPC D9/737, 748, 749, 414, 424, 434, 435, D9/456, 457, 732, 735, 715, 721, 722, D9/756, 415, 418; D7/354, 392.1, 394, D7/396.1, 538, 543-545, 550.1, 551, D7/554.3, 587, 566, 575, 584, 619, 629, D7/667, 318, 319, 619.1, 553.6-553.7, D7/554.2, 602; D24/105, 176-180, 227; D6/530; 224/217; 206/63.5, 553, 557, 206/541, 775, 776, 119, 470, 508, 521.1, 206/545, 806, 217, 820; 220/608, 220/780-806, 475, 674, 675, 4.21-4.24, 220/555, 556, 810, 836, 837, 841, 366.1, 220/367; 426/106
CPC A45D 27/22; B65D 21/0202; B65D 75/24; B65D 75/323; B65D 75/327; B65D 81/025; B65D 5/4204
See application file for complete search history.

(56) **References Cited**
U.S. PATENT DOCUMENTS

- D352,236 S * 11/1994 Althaus D9/748
5,407,066 A * 4/1995 Grange A45D 27/29
206/228

- 5,429,241 A * 7/1995 Althaus A45D 27/29
206/352
D453,901 S * 2/2002 Shepperson D9/415
D511,452 S * 11/2005 Dibnah D9/415
D516,419 S * 3/2006 Kellar D9/415
D592,947 S * 5/2009 Neves D9/415
D598,737 S * 8/2009 Neves D9/415

(Continued)

OTHER PUBLICATIONS

Gillette Fusion Men's Razor with Fusion Razor Blades, available Sep. 11, 2017, [online], [site visited Sep. 11, 2017]. Available from internet, <URL:https://www.target.com/p/gillette-fusion-men-s-razor-with-blades-2ct/-/A-13356801.*

(Continued)

Primary Examiner — Cathron Brooks
Assistant Examiner — Teddy Falloway
(74) *Attorney, Agent, or Firm* — Ronald T. Sia; Kevin C. Johnson; Steven W. Miller

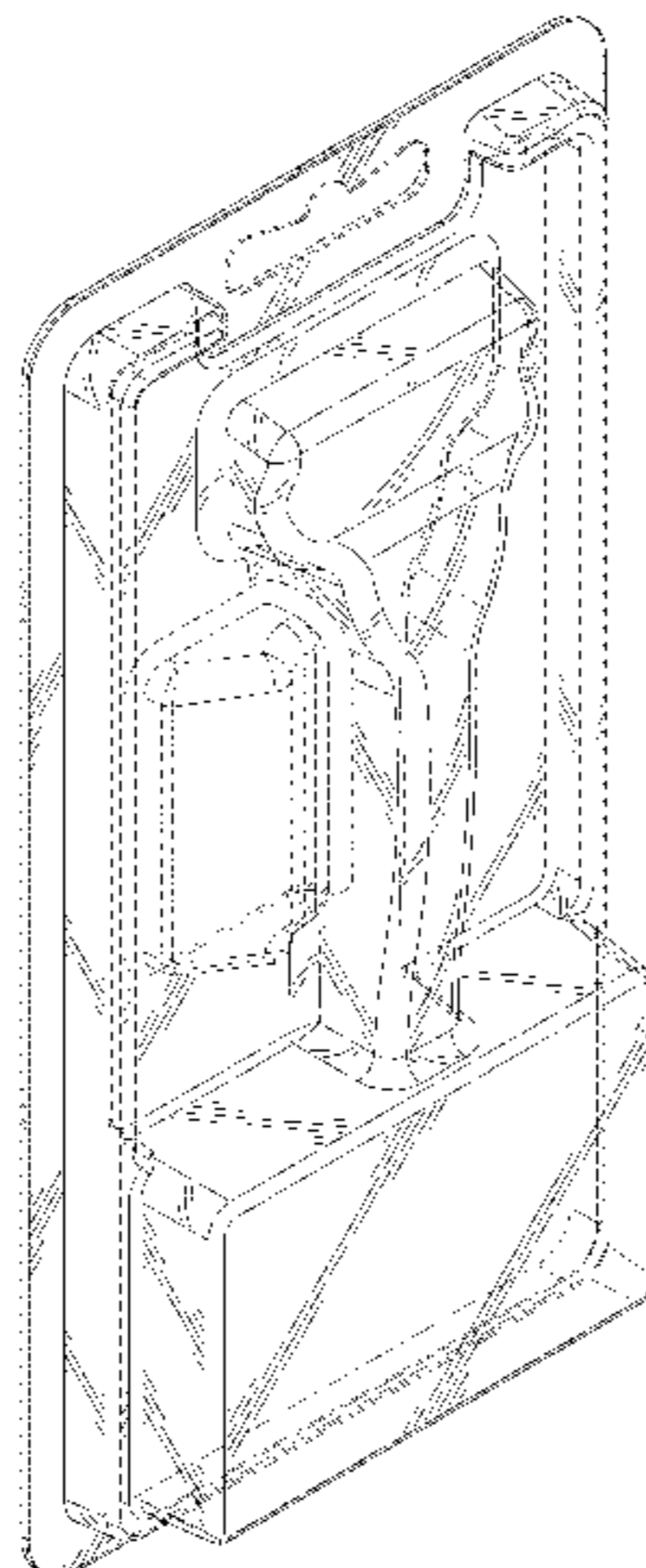
(57) **CLAIM**

The ornamental design for a package, as shown and described.

DESCRIPTION

FIG. 1 is a perspective view of a package of the present invention;
FIG. 2 is a front view of the package of FIG. 1;
FIG. 3 is a back view of the package of FIG. 1;
FIG. 4 is a right side view of the package of FIG. 1;
FIG. 5 is a left side view of the package of FIG. 1;
FIG. 6 is a top view of the package of FIG. 1; and,
FIG. 7 is a bottom view of the package of FIG. 1.
The broken lines illustrate portions of the package and form no part of the claimed design.

1 Claim, 5 Drawing Sheets



(56)

References Cited

U.S. PATENT DOCUMENTS

7,854,320 B2 * 12/2010 Greene B65D 25/10
 206/354
 D684,045 S * 6/2013 Frees D9/424
 8,522,972 B2 * 9/2013 Greene B65D 25/10
 206/352
 D754,547 S * 4/2016 Psimadas D9/748
 D784,160 S * 4/2017 Markle D9/722
 D784,161 S * 4/2017 Markle D9/722
 D790,987 S * 7/2017 Damon D28/46
 2005/0092644 A1 * 5/2005 Cafferata A47F 1/126
 206/471
 2010/0200443 A1 * 8/2010 Greene B65D 25/10
 206/354
 2010/0294684 A1 * 11/2010 Greene B65D 25/10
 206/354
 2011/0290688 A1 * 12/2011 Marcinkowski B65D 77/26
 206/352

OTHER PUBLICATIONS

BIC Hybrid 3 Comfort Disposable Razor, available Jun. 19, 2015, [online], [site visited Sep. 11, 2017]. Available from internet, <URL:https://www.amazon.com/BIC-Hybrid-Comfort-Disposable-12-Count/dp/B00VBUYGNA/ref=sr_1_10_s_it?s=beauty&ie=UTF8&qid=1505139600&sr=1-10&keywords=razors#customerReviews.*

A Review of the Gillette Fusion Power Razor, available Feb. 28, 2016, [online], [site visited Sep. 11, 2017]. Available from internet, <URL:https://www.liveabout.com/a-review-of-the-gillette-fusion-power-razor-2326815.*

* cited by examiner

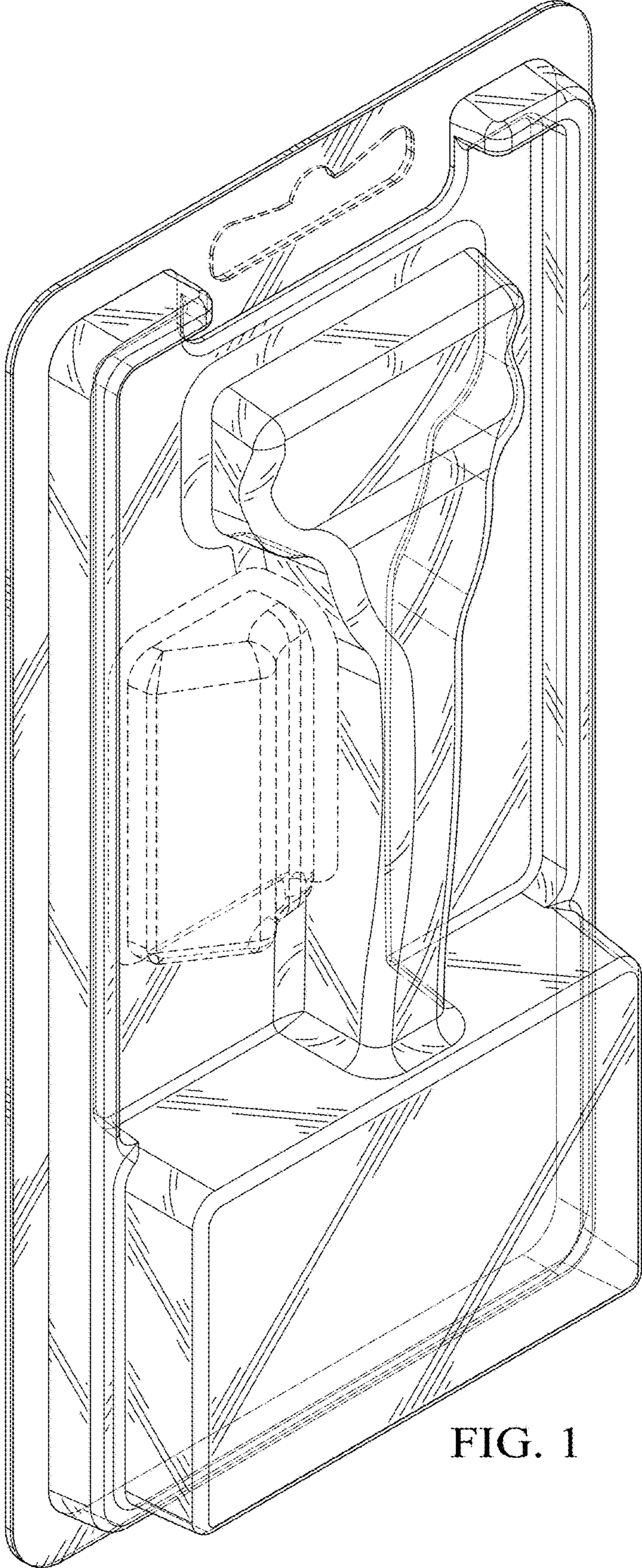


FIG. 1

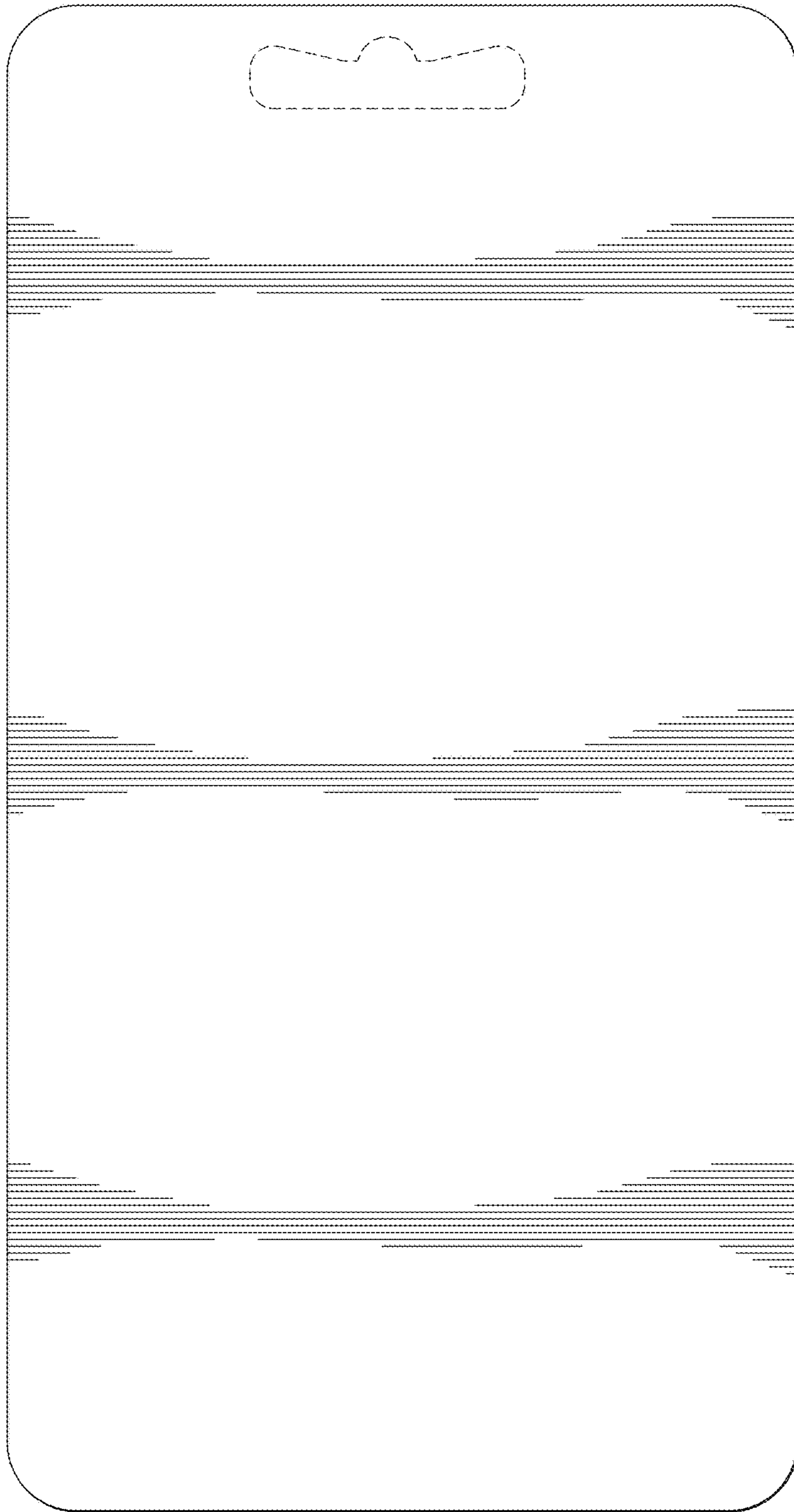


FIG. 2

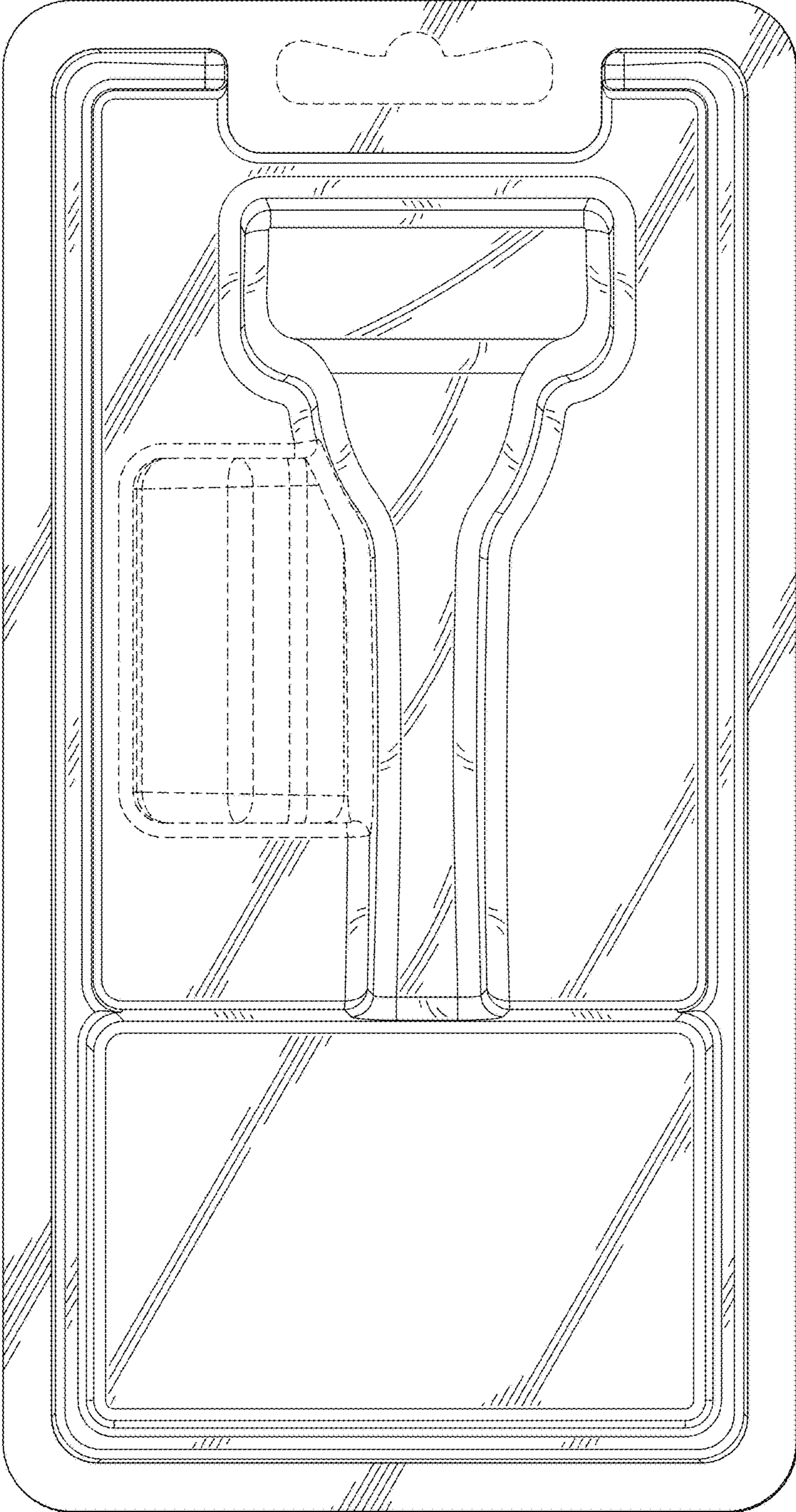


FIG. 3

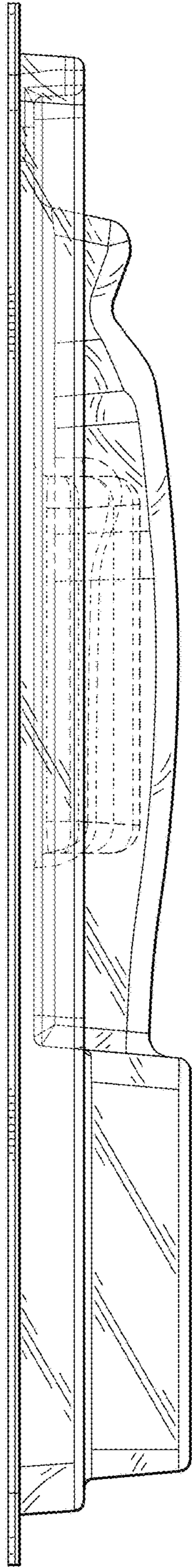


FIG. 4

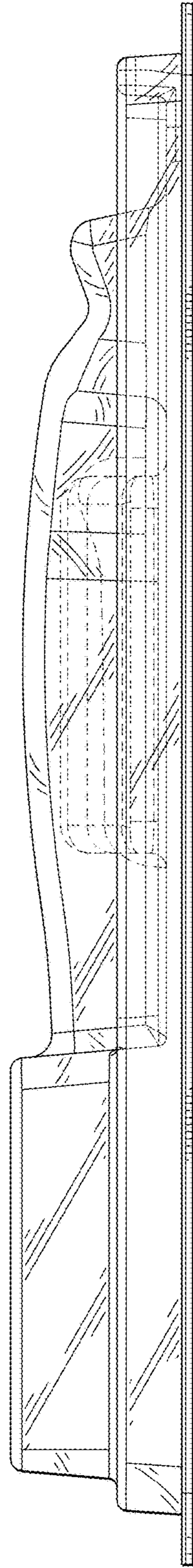


FIG. 5

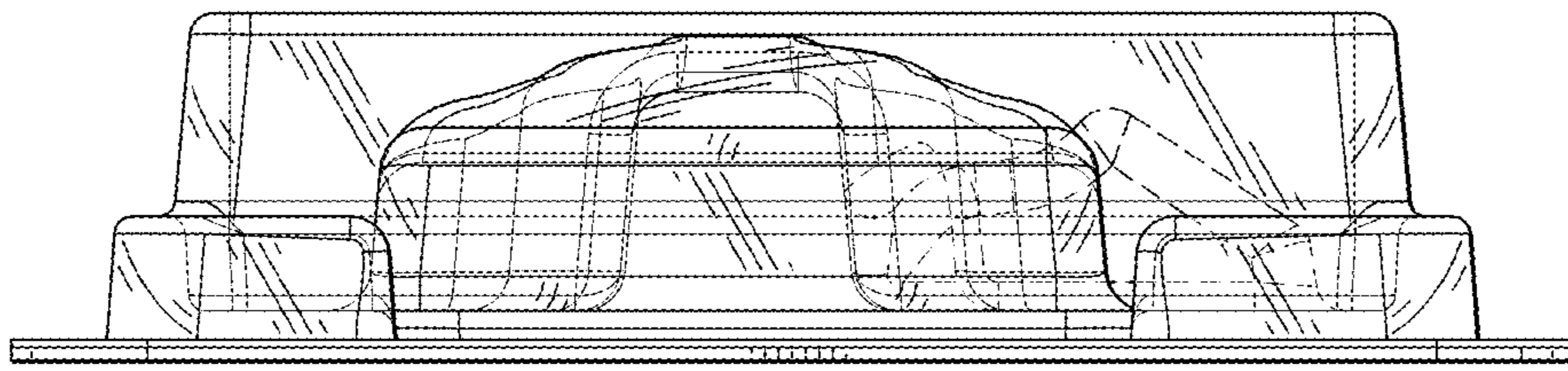


FIG. 6

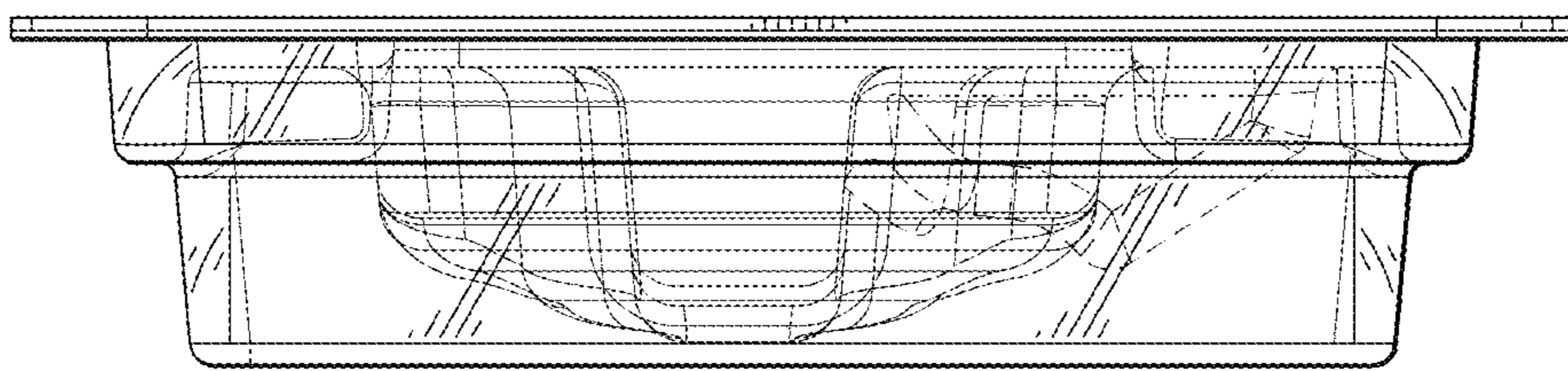


FIG. 7