



US00D808822S

(12) **United States Design Patent**
Villarreal et al.

(10) **Patent No.:** **US D808,822 S**

(45) **Date of Patent:** **** Jan. 30, 2018**

(54) **COSMETICS DISPENSER AND APPLICATOR**

(71) Applicant: **HCT GROUP HOLDINGS LIMITED**, Central (CN)

(72) Inventors: **Armando Villarreal**, Los Angeles, CA (US); **Jeremy Wilson**, Los Angeles, CA (US); **Adrian C. Apodaca**, Daly City, CA (US)

(73) Assignee: **HCT GROUP HOLDINGS LIMITED**, Hong Kong (HK)

(**) Term: **15 Years**

(21) Appl. No.: **29/571,971**

(22) Filed: **Jul. 22, 2016**

(51) **LOC (11) Cl.** **09-01**

(52) **U.S. Cl.**
USPC **D9/724**

(58) **Field of Classification Search**
USPC D4/114; D9/442, 695-699, 702-714, D9/723-729; D24/199; D28/7; 132/317, 318, 320; 222/95, 207, 212, 222/335
CPC A45D 34/00; A45D 40/00; B65D 81/3272
See application file for complete search history.

(56) **References Cited**

U.S. PATENT DOCUMENTS

D416,356 S * 11/1999 Denham D28/7
D567,669 S * 4/2008 Py D9/551
D693,226 S * 11/2013 Paschoal D28/76
D727,172 S * 4/2015 Rosella D9/504

2006/0291948 A1* 12/2006 Holloway A45D 40/06
401/78
2007/0098479 A1* 5/2007 Kim A45D 34/04
401/129
2011/0095052 A1* 4/2011 Zhang A45D 34/00
222/94
2012/0070220 A1* 3/2012 Ruiz, Sr. A61B 17/00491
401/134
2015/0003885 A1* 1/2015 Wade A45D 40/12
401/75

* cited by examiner

Primary Examiner — Derrick Holland

Assistant Examiner — Janice Patyk

(74) *Attorney, Agent, or Firm* — Seager, Tufte & Wickhem LLP

(57) **CLAIM**

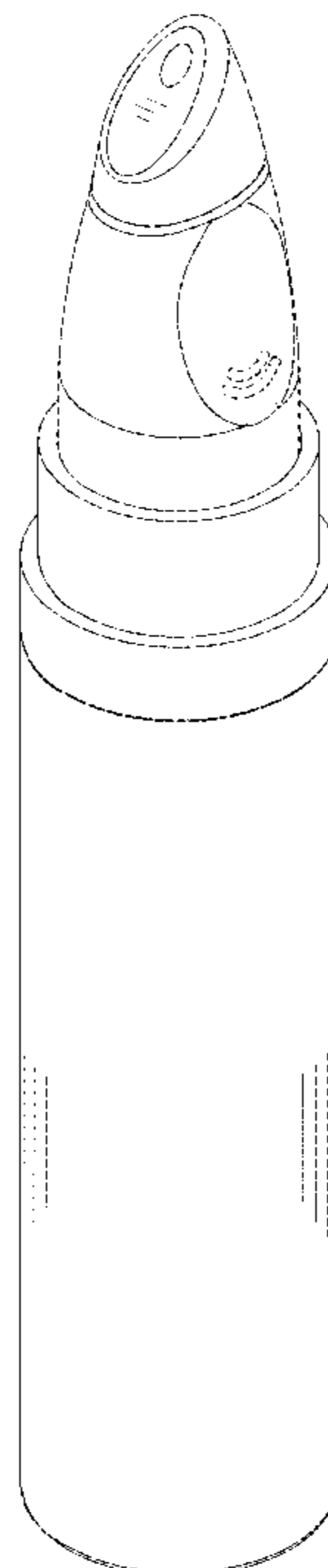
The ornamental design for a cosmetics dispenser and applicator, as shown and described.

DESCRIPTION

FIG. 1 is a perspective view of a cosmetics dispenser and applicator, showing our new design; FIG. 2 is a right side view thereof, and the left side view being a mirror image thereof; FIG. 3 is a front view thereof; FIG. 4 is a rear view thereof; FIG. 5 is a top view thereof; FIG. 6 is a bottom view thereof; and, FIG. 7 is a perspective view thereof, shown with a cap thereon.

The broken lines in the figures illustrate the portions of the design that form no part of the claimed design.

1 Claim, 7 Drawing Sheets



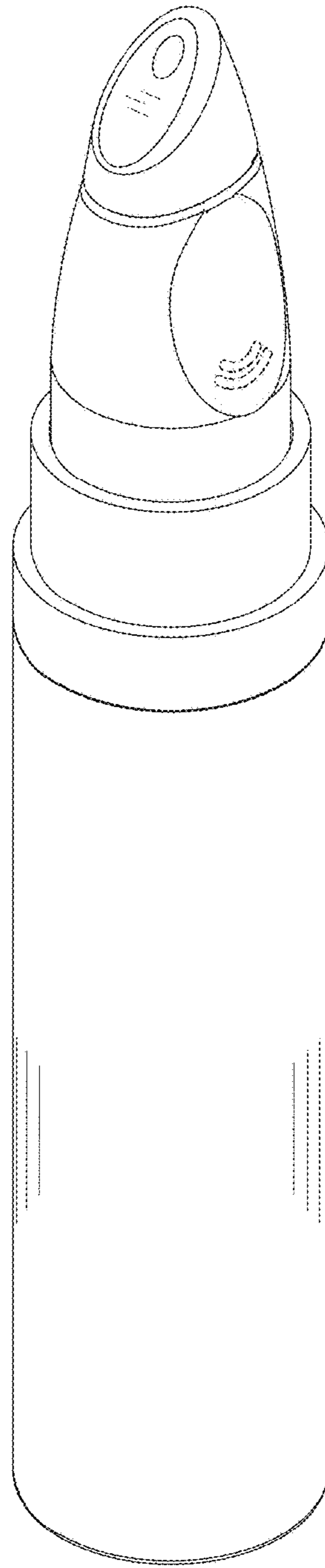


FIG. 1

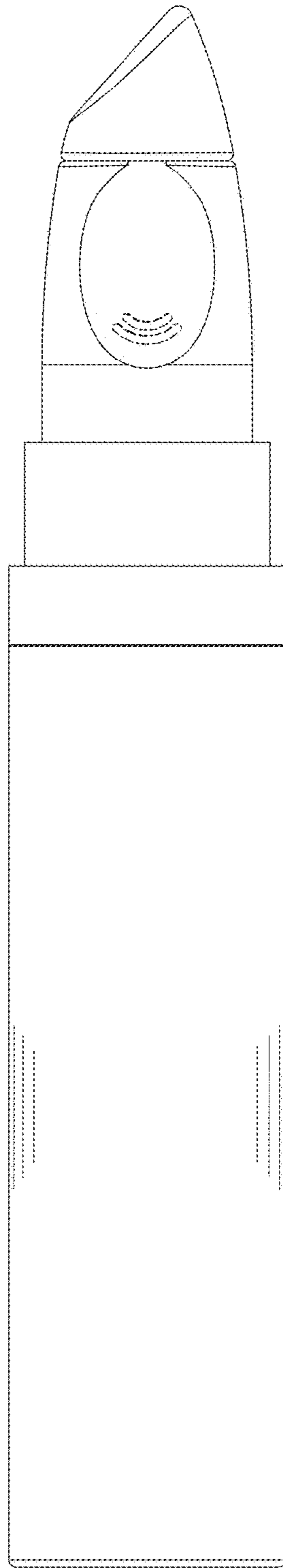


FIG. 2

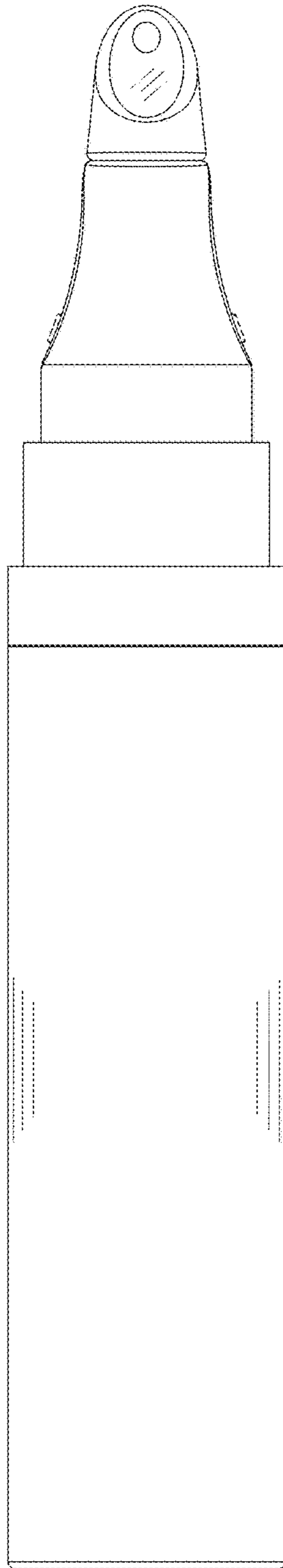


FIG. 3

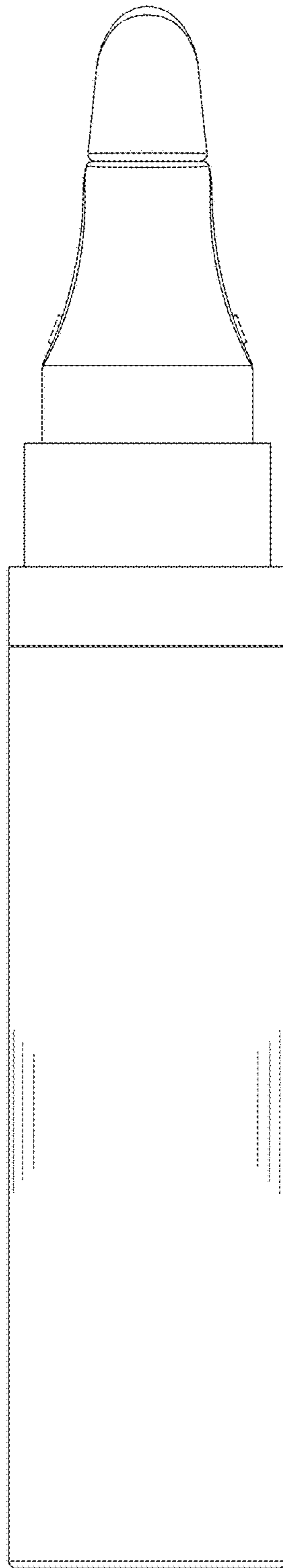


FIG. 4

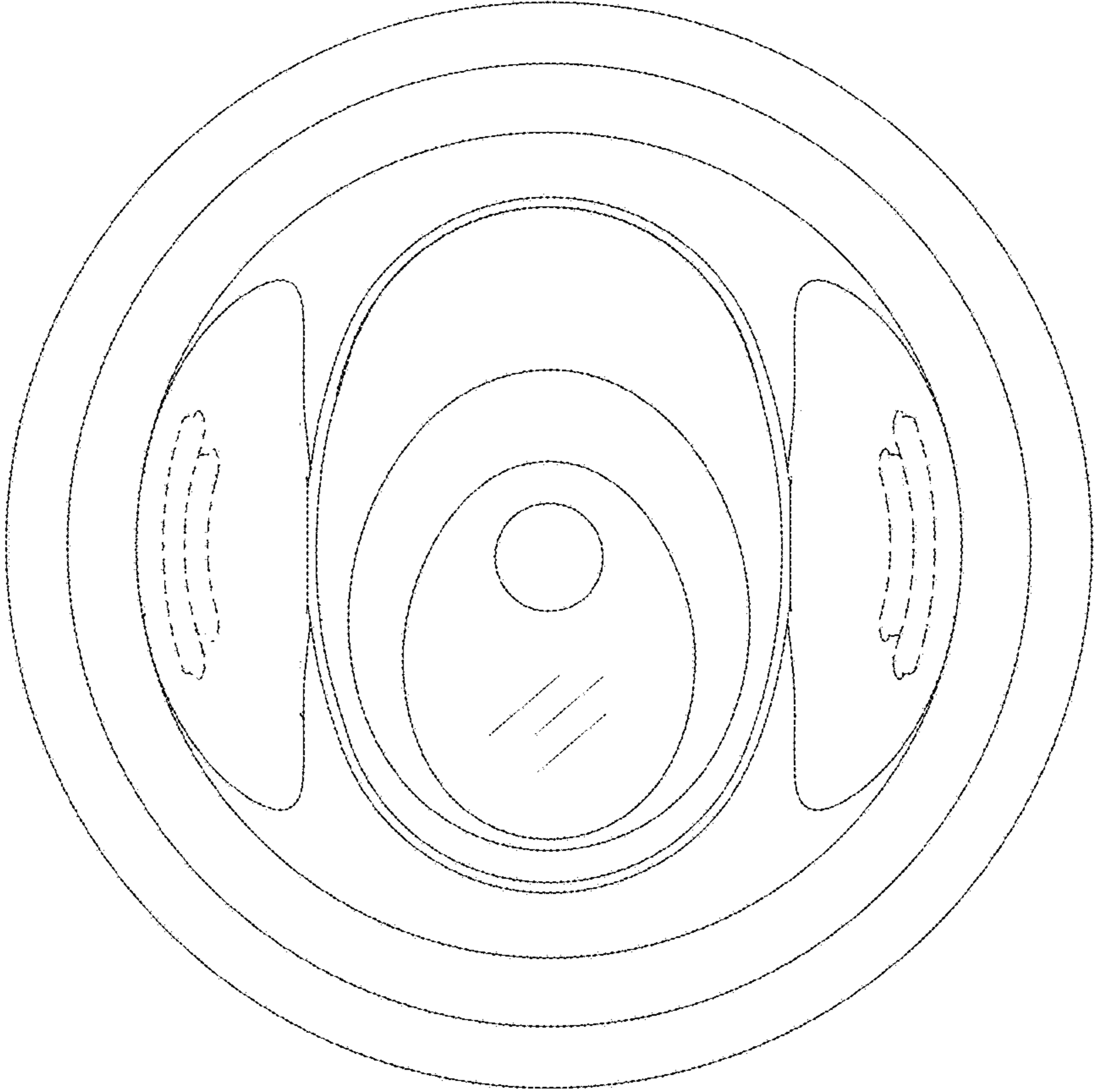


FIG. 5

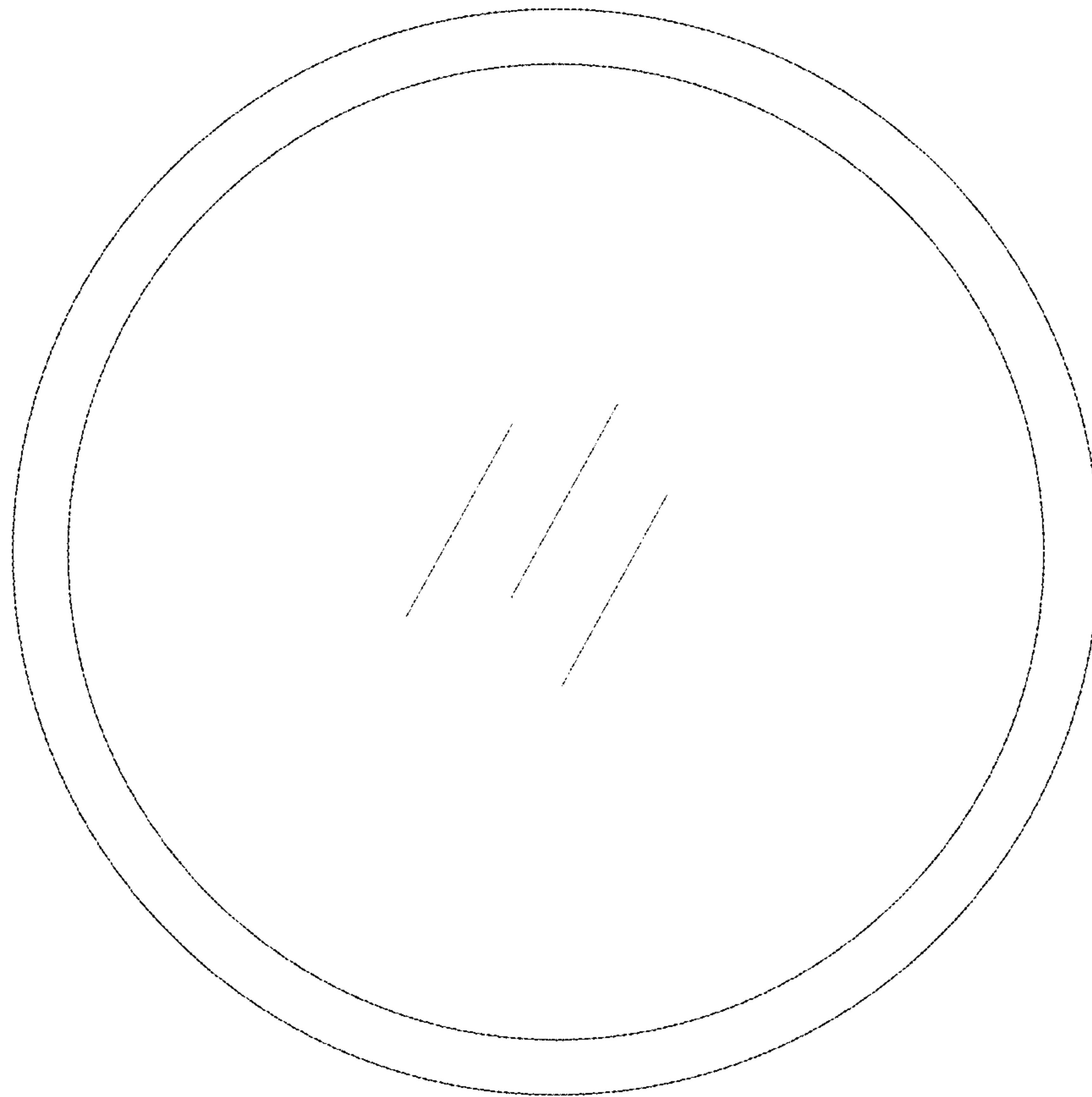


FIG. 6

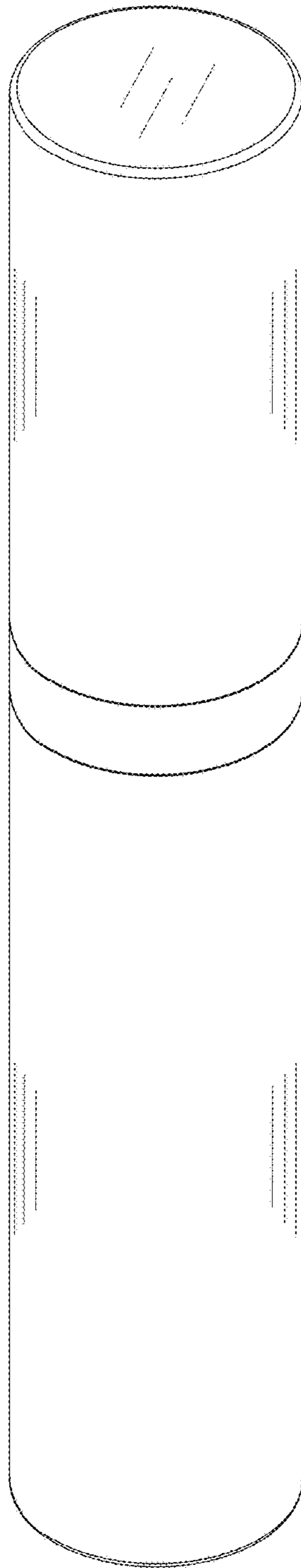


FIG. 7