



US00D808814S

(12) **United States Design Patent** (10) **Patent No.:** **US D808,814 S**  
**Lassus Daily** (45) **Date of Patent:** **\*\* Jan. 30, 2018**

(54) **BOTTLE**  
(71) Applicant: **NEIL JONATHAN CORPORATION,**  
Houston, TX (US)  
(72) Inventor: **G. Anabel Lassus Daily,** Houston, TX  
(US)  
(73) Assignee: **NEIL JONATHAN CORPORATION,**  
Houston, TX (US)

D532,696 S \* 11/2006 Boudard ..... D9/544  
D536,259 S \* 2/2007 Herrmann ..... D9/573  
D579,782 S \* 11/2008 Reinoso ..... D9/544  
D590,721 S \* 4/2009 Martinez De San  
Vicente ..... D9/520  
D609,574 S \* 2/2010 Holmes ..... D9/542  
D678,776 S \* 3/2013 Lecetre ..... D9/544  
D734,160 S \* 7/2015 Aranda ..... D9/555  
D735,047 S \* 7/2015 Kim ..... D9/571  
D742,749 S \* 11/2015 Murray ..... D9/439  
D751,408 S \* 3/2016 Baron ..... D9/520  
D764,928 S \* 8/2016 Staab ..... D9/694

(\*\*) Term: **15 Years**

\* cited by examiner

(21) Appl. No.: **29/579,186**

*Primary Examiner* — Vy N Koenig

(22) Filed: **Sep. 28, 2016**

*Assistant Examiner* — Omeed Agilee

(51) **LOC (11) Cl.** ..... **09-01**

(74) *Attorney, Agent, or Firm* — Egbert Law Offices,  
PLLC

(52) **U.S. Cl.**  
USPC ..... **D9/542**

(58) **Field of Classification Search**  
USPC ..... D9/434–435, 439, 447, 449, 450, 452,  
D9/454, 516, 520, 522–524, 528–531,  
D9/541–544, 549–551, 558–560, 563,  
D9/565–566, 571–575, 682, 686, 687,  
D9/693–694, 715, 719; D7/300, 300.1,  
D7/316, 317, 598; D23/211, 225  
CPC ... B65D 1/00; B65D 1/02; B65D 1/12; B65D  
1/18; B65D 1/20; B65D 1/0223; B65D  
23/00; B65D 21/0237; B65D 2501/0009;  
B65D 2501/0081

(57) **CLAIM**

The ornamental design for a bottle, as shown and described.

See application file for complete search history.

**DESCRIPTION**

FIG. 1 is a perspective view of a bottle showing my new design.

FIG. 2 is a front view thereof;

FIG. 3 is a rear view thereof;

FIG. 4 is a side view thereof;

FIG. 5 is an opposite side view thereof;

FIG. 6 is a top view thereof; and,

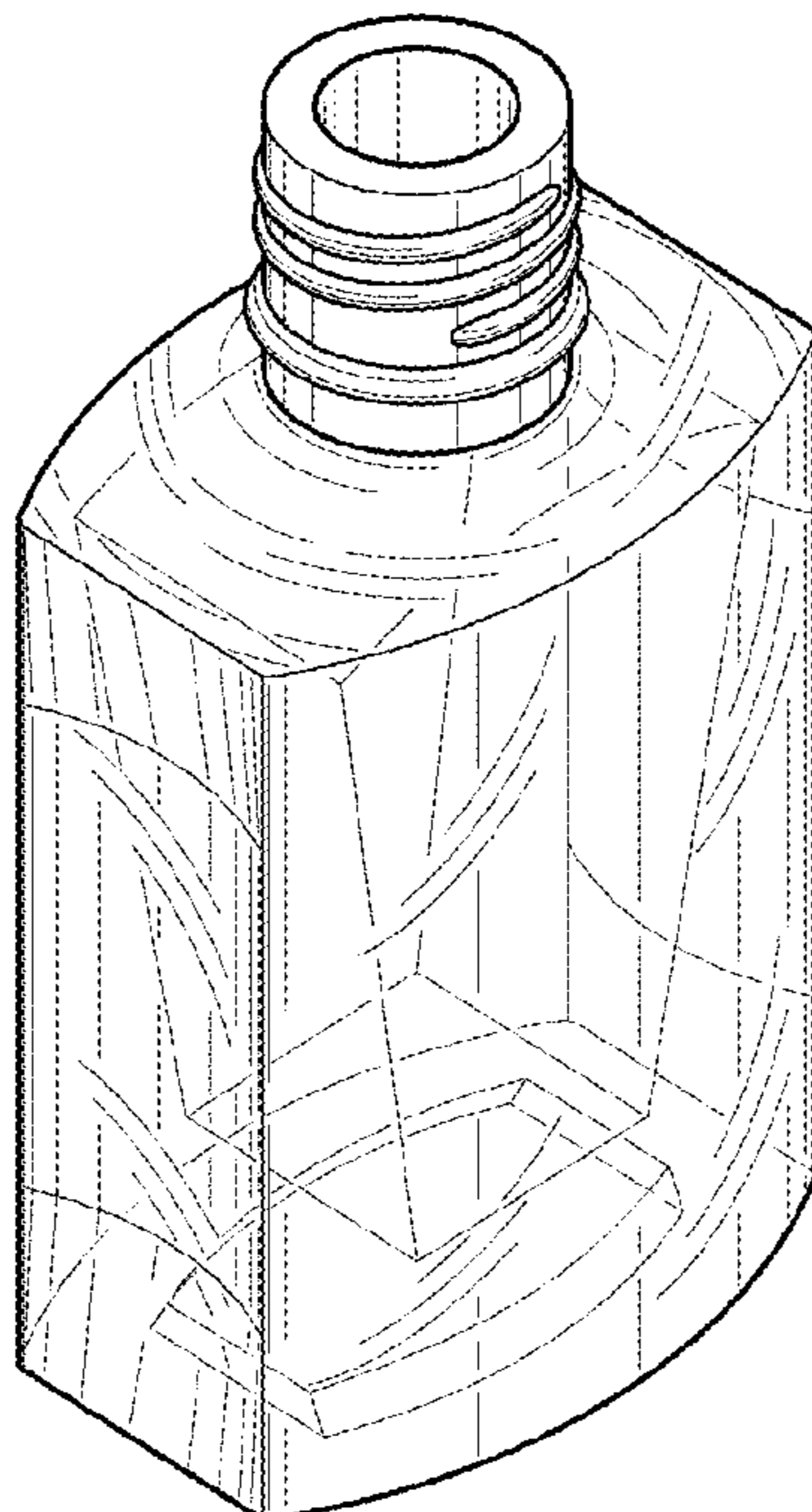
FIG. 7 is a bottom side view thereof.

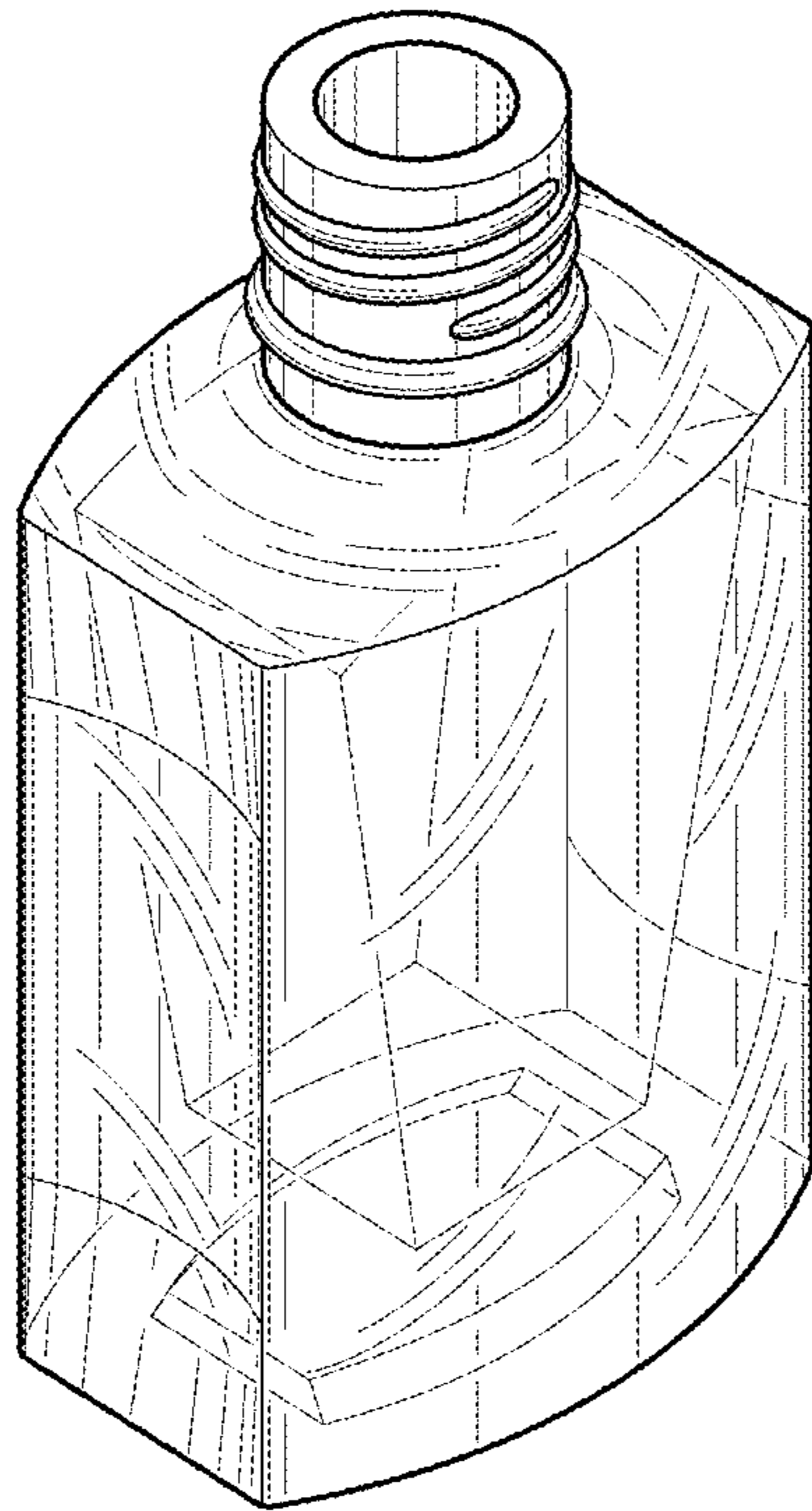
(56) **References Cited**

U.S. PATENT DOCUMENTS

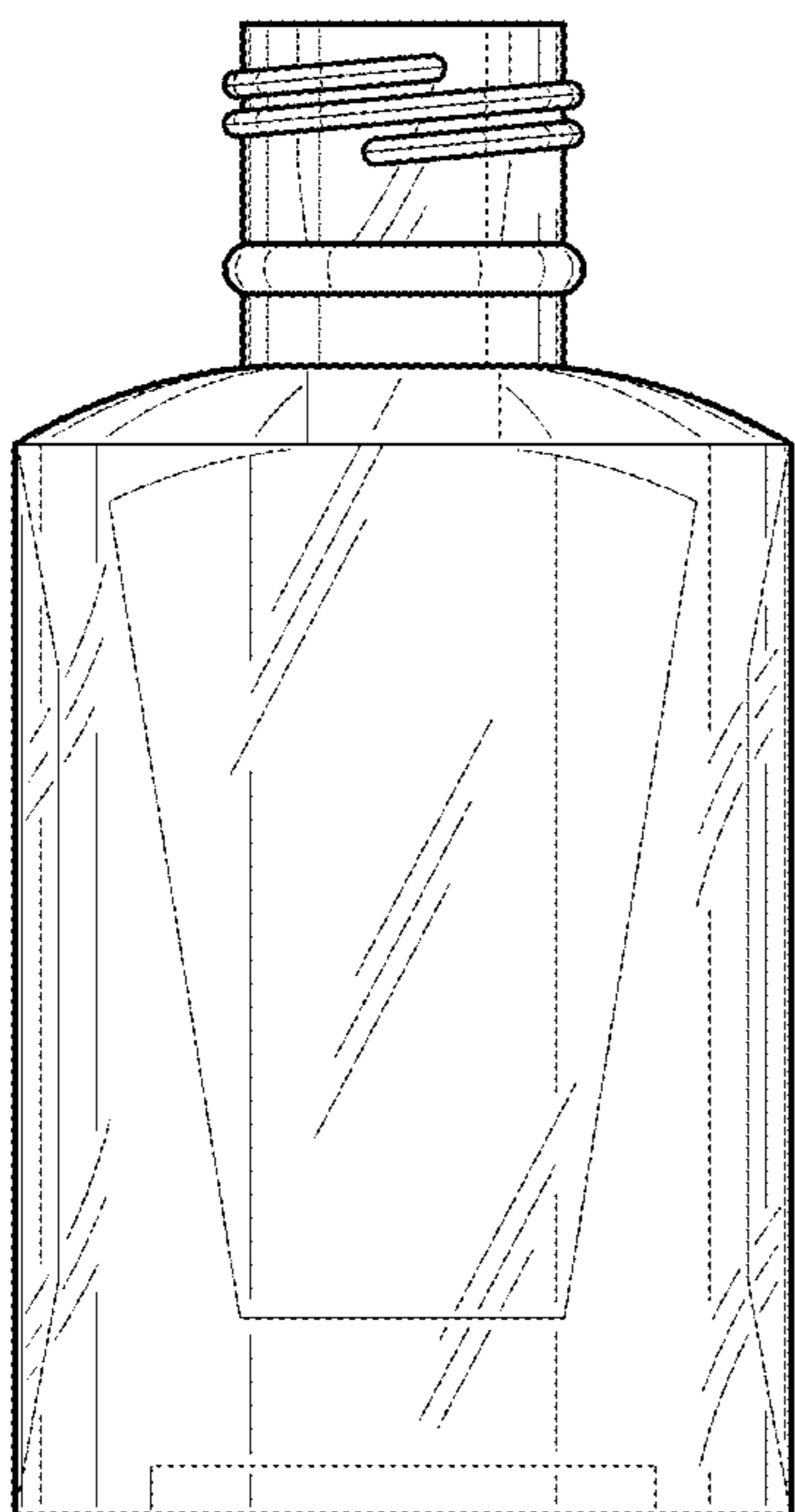
D348,613 S \* 7/1994 Gonda ..... D9/571  
D352,657 S \* 11/1994 Gonda ..... D9/694

**1 Claim, 2 Drawing Sheets**

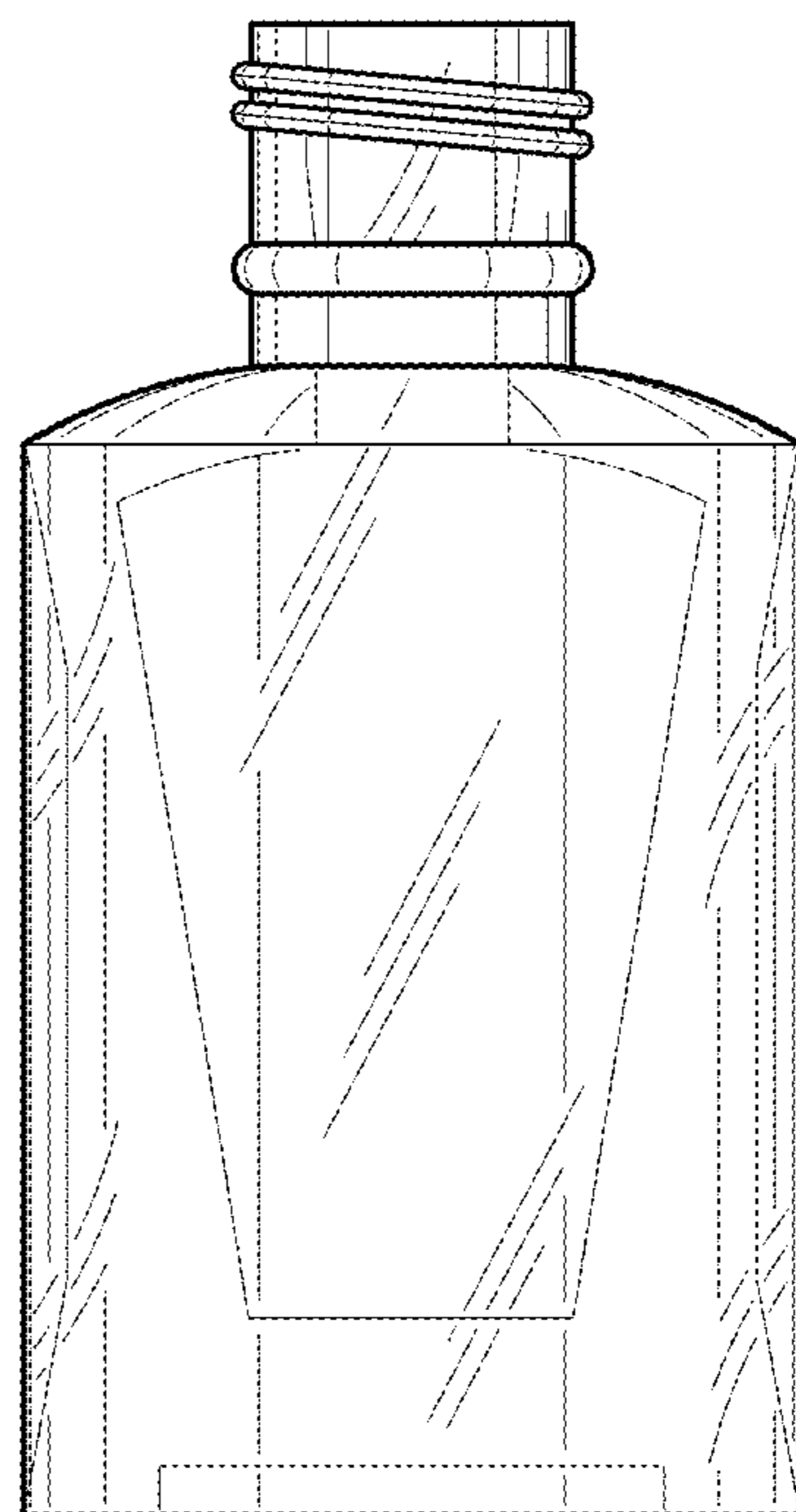




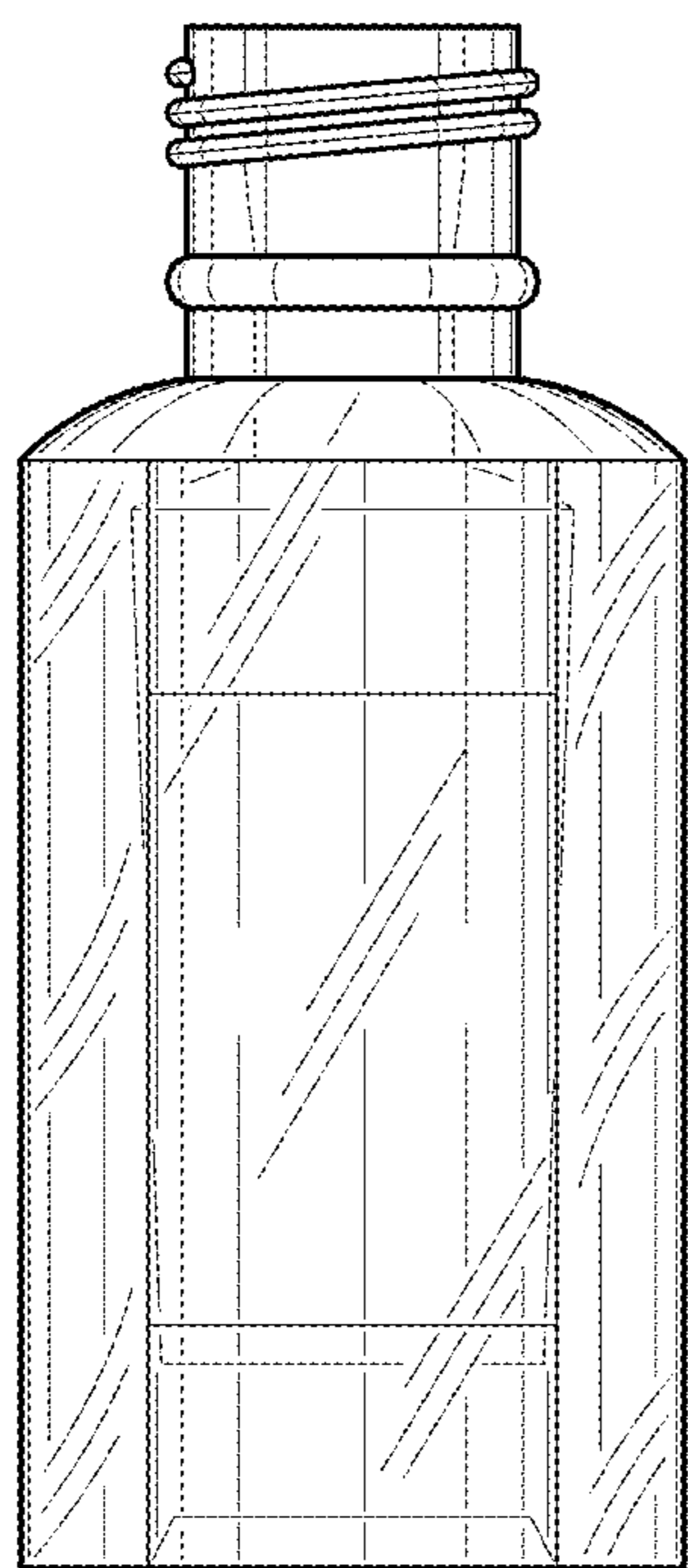
*FIG. 1*



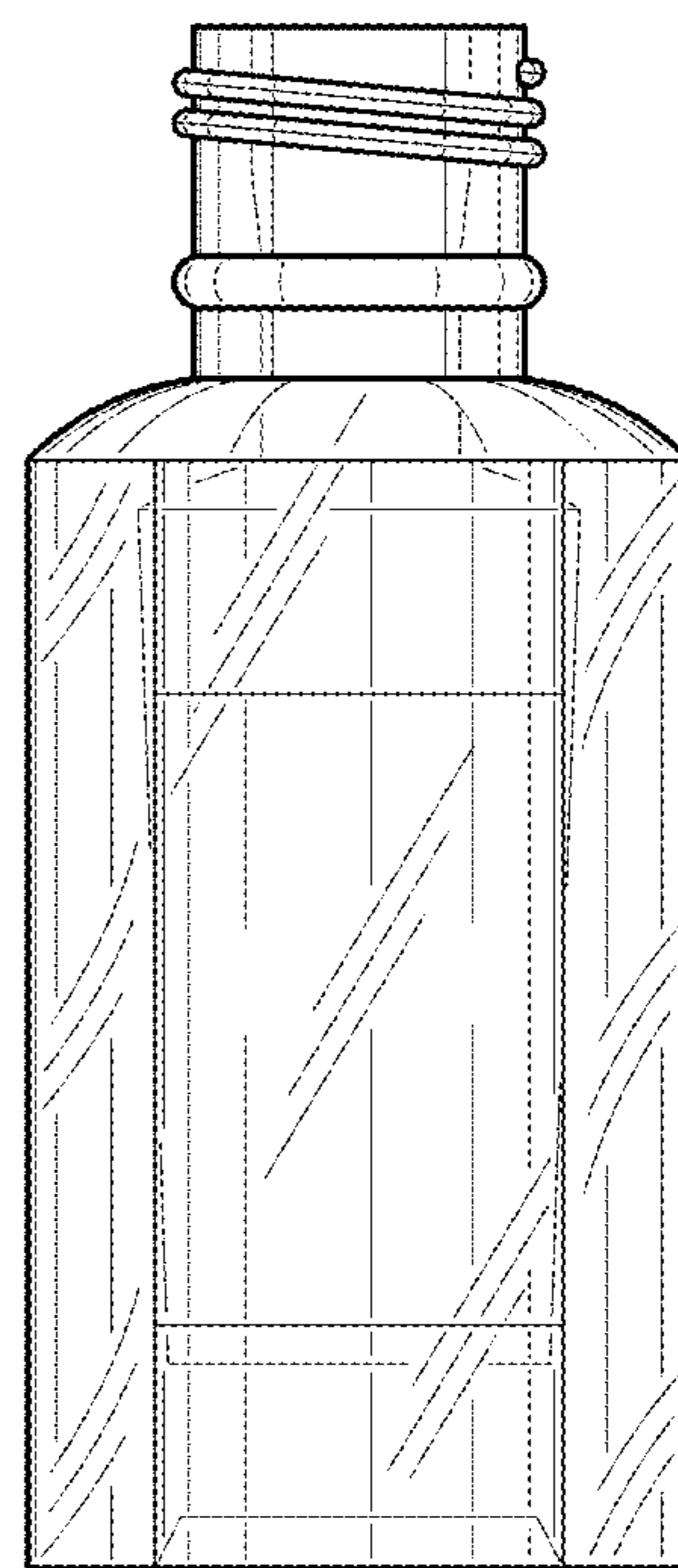
*FIG. 2*



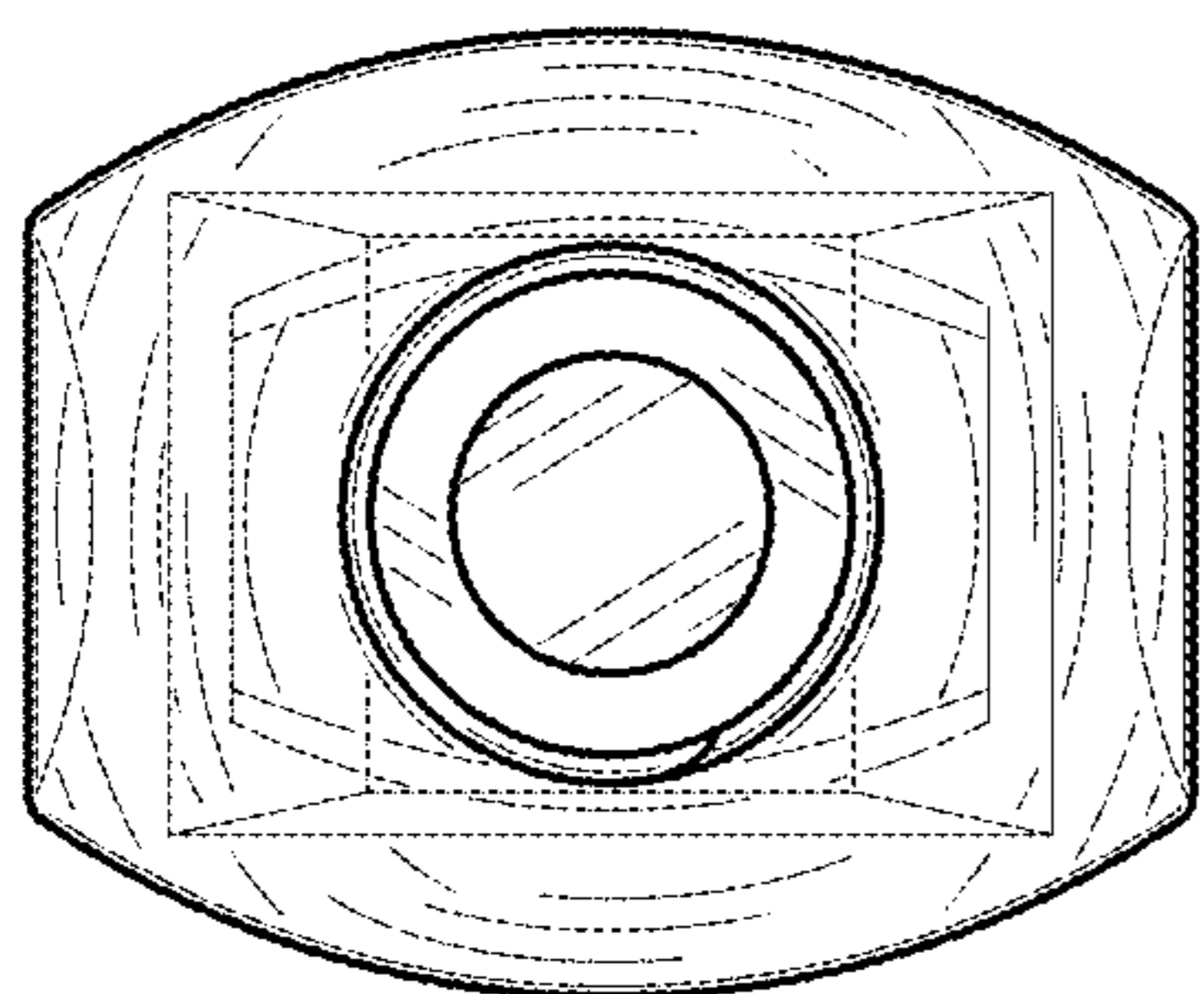
*FIG. 3*



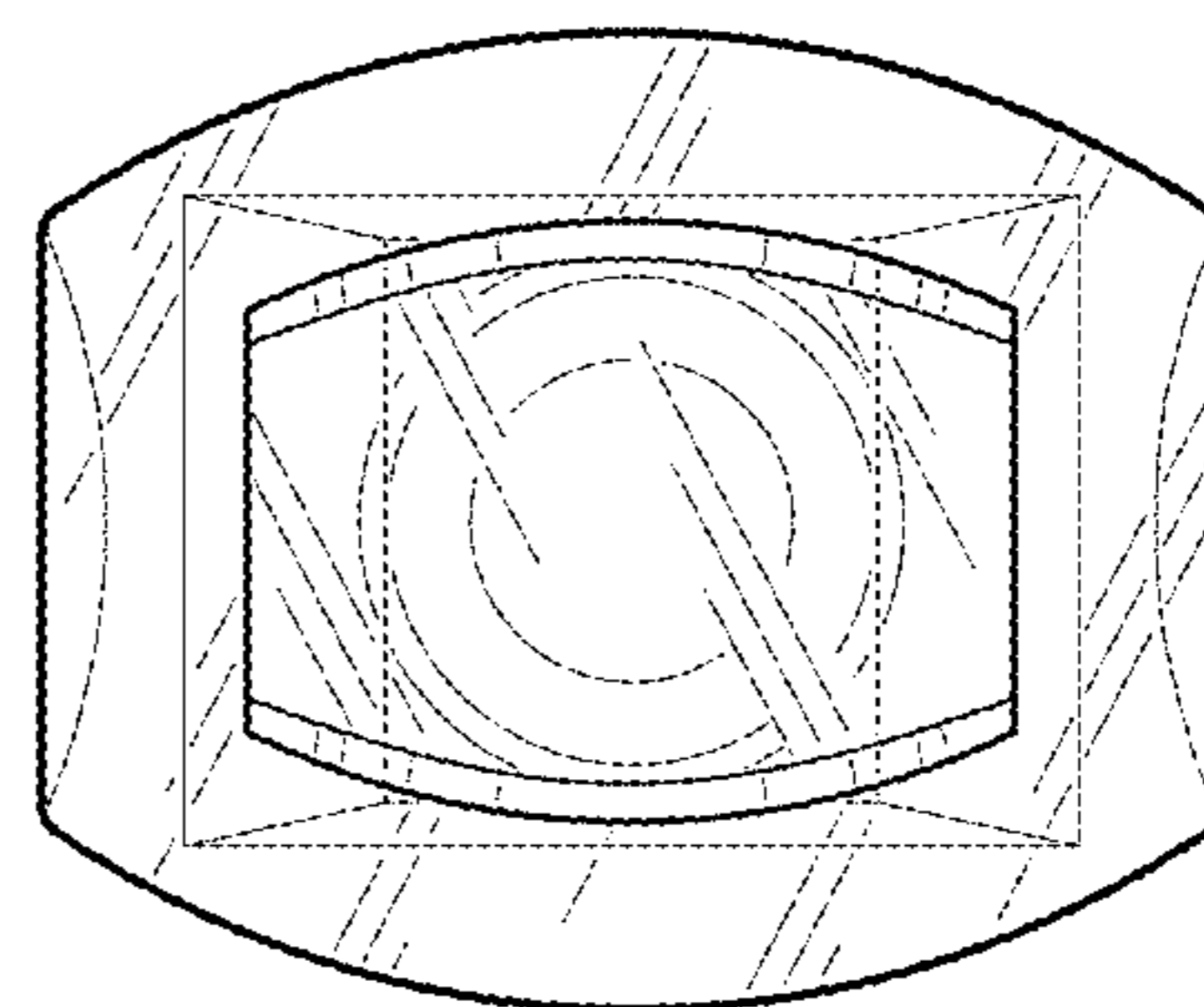
**FIG. 4**



**FIG. 5**



**FIG. 6**



**FIG. 7**

UNITED STATES PATENT AND TRADEMARK OFFICE  
**CERTIFICATE OF CORRECTION**

PATENT NO. : D808,814 S  
APPLICATION NO. : 29/579186  
DATED : January 30, 2018  
INVENTOR(S) : Lassus Daily et al.

Page 1 of 1

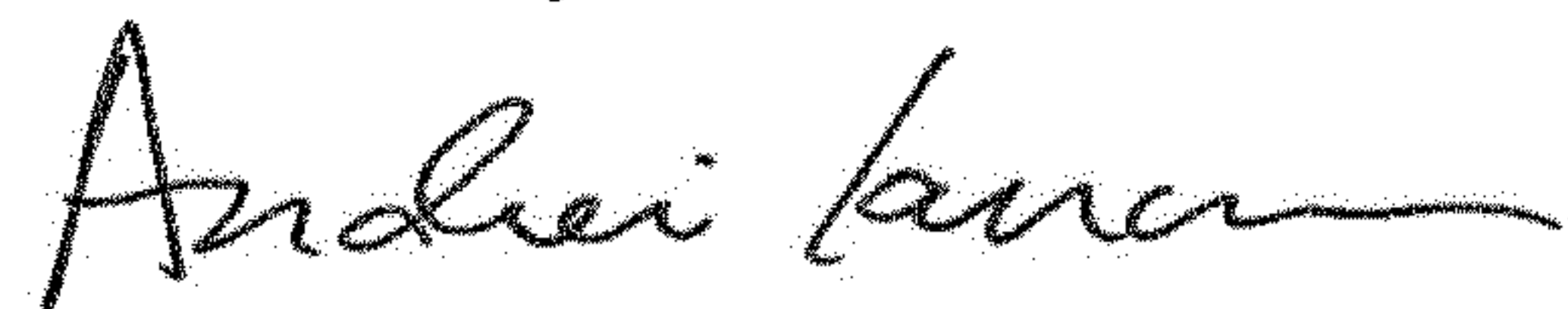
It is certified that error appears in the above-identified patent and that said Letters Patent is hereby corrected as shown below:

On the Title Page

Item (12) please delete "Lassus Daily" and insert --Lassus Daily et al.--

Item (72) please add inventor Neil Jonathan DAILY, Houston, TX (US)

Signed and Sealed this  
Fourth Day of December, 2018



Andrei Iancu  
*Director of the United States Patent and Trademark Office*