



US00D808812S

(12) **United States Design Patent**  
**Talsania et al.**

(10) **Patent No.:** **US D808,812 S**  
(45) **Date of Patent:** **\*\* Jan. 30, 2018**

(54) **CONTAINER**

B65D 23/00; B65D 81/00; B65D  
2501/00; B65D 2501/0009

(71) Applicant: **PepsiCo, Inc.**, Purchase, NY (US)

See application file for complete search history.

(72) Inventors: **Sameer Kirti Talsania**, Chicago, IL (US); **Drew Alexander Read Palin**, Kenilworth, IL (US); **Sean Joseph Huls**, Chicago, IL (US); **Xavi Cortadellas**, Chicago, IL (US); **Brandon Scott Rhodes**, Chicago, IL (US); **Carlos Hernan Marina**, Deerfield Beach, FL (US); **Matthew Schmunk**, Portland, OR (US); **John Lester Ostby**, Seattle, WA (US); **Tucker H. Fort**, Brooklyn, NY (US); **Joey Miguel Zeledon**, Brooklyn, NY (US); **Elijah Morris Worden, IV**, New York, NY (US); **Wayne Allen Posey**, Toledo, OH (US); **Eric Jay Brunella**, Sylvania, OH (US); **Bruce Joseph Ankenbrandt**, Maumee, OH (US)

(56) **References Cited**

U.S. PATENT DOCUMENTS

D230,954 S *	3/1974	Gregoriotti .....	D9/504
D269,148 S *	5/1983	Trkla .....	D34/39
D272,223 S *	1/1984	Daenen .....	D7/629
D312,778 S *	12/1990	Tacconelli .....	D9/435
D372,194 S *	7/1996	Dallaire .....	D9/520
D405,372 S *	2/1999	Yucknut .....	D9/504
D423,360 S *	4/2000	Hirato .....	D9/504
D442,834 S *	5/2001	Perez .....	D7/628

(Continued)

FOREIGN PATENT DOCUMENTS

DE	402010000802-0003	1/2010
FI	9918	9/1986

(Continued)

*Primary Examiner* — Dana L Meyrow

(74) *Attorney, Agent, or Firm* — Sterne, Kessler, Goldstein & Fox P.L.L.C.

(73) Assignee: **PepsiCo, Inc.**, Purchase, NY (US)

(57) **CLAIM**

The ornamental design for a container, as shown and described.

(\*\*) Term: **15 Years**

(21) Appl. No.: **29/539,691**

**DESCRIPTION**

(22) Filed: **Sep. 16, 2015**

(51) **LOC (11) Cl.** ..... **09-01**

(52) **U.S. Cl.**  
USPC ..... **D9/529**; D9/504; D9/558

(58) **Field of Classification Search**  
USPC ..... D9/414, 424, 428, 434–435, 454, 500,  
D9/503–504, 516, 519, 529, 549, 558,  
D9/715; D7/400, 601–602, 608, 612,  
D7/615, 629–630; D26/6, 9–11, 22  
CPC ..... B65D 1/00; B65D 1/02; B65D 1/0223;

FIG. 1 is a top perspective view of a container showing the claimed design.

FIG. 2 is a bottom perspective view thereof;

FIG. 3 is a front view thereof;

FIG. 4 is a rear view thereof;

FIG. 5 is a left side view thereof;

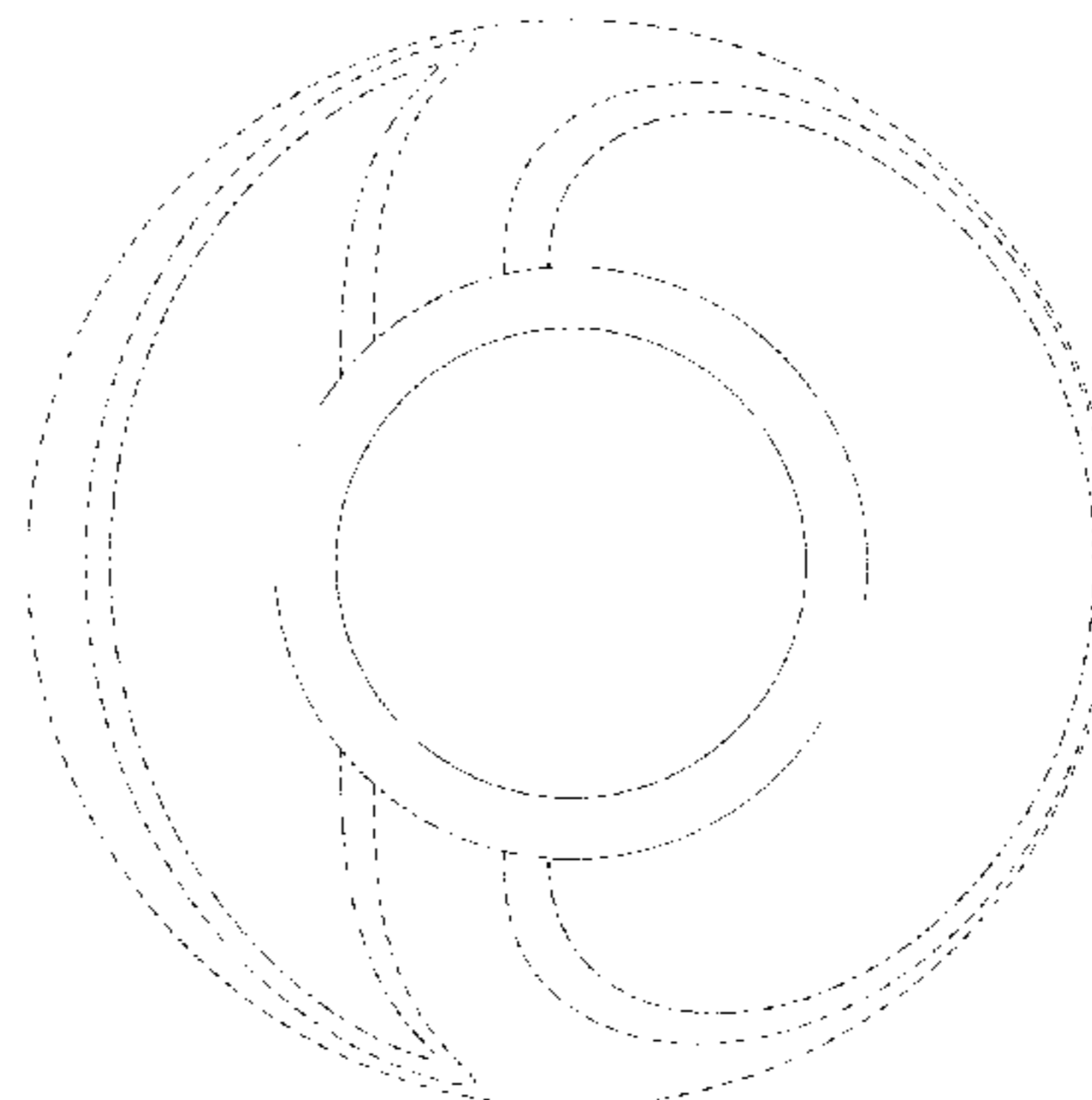
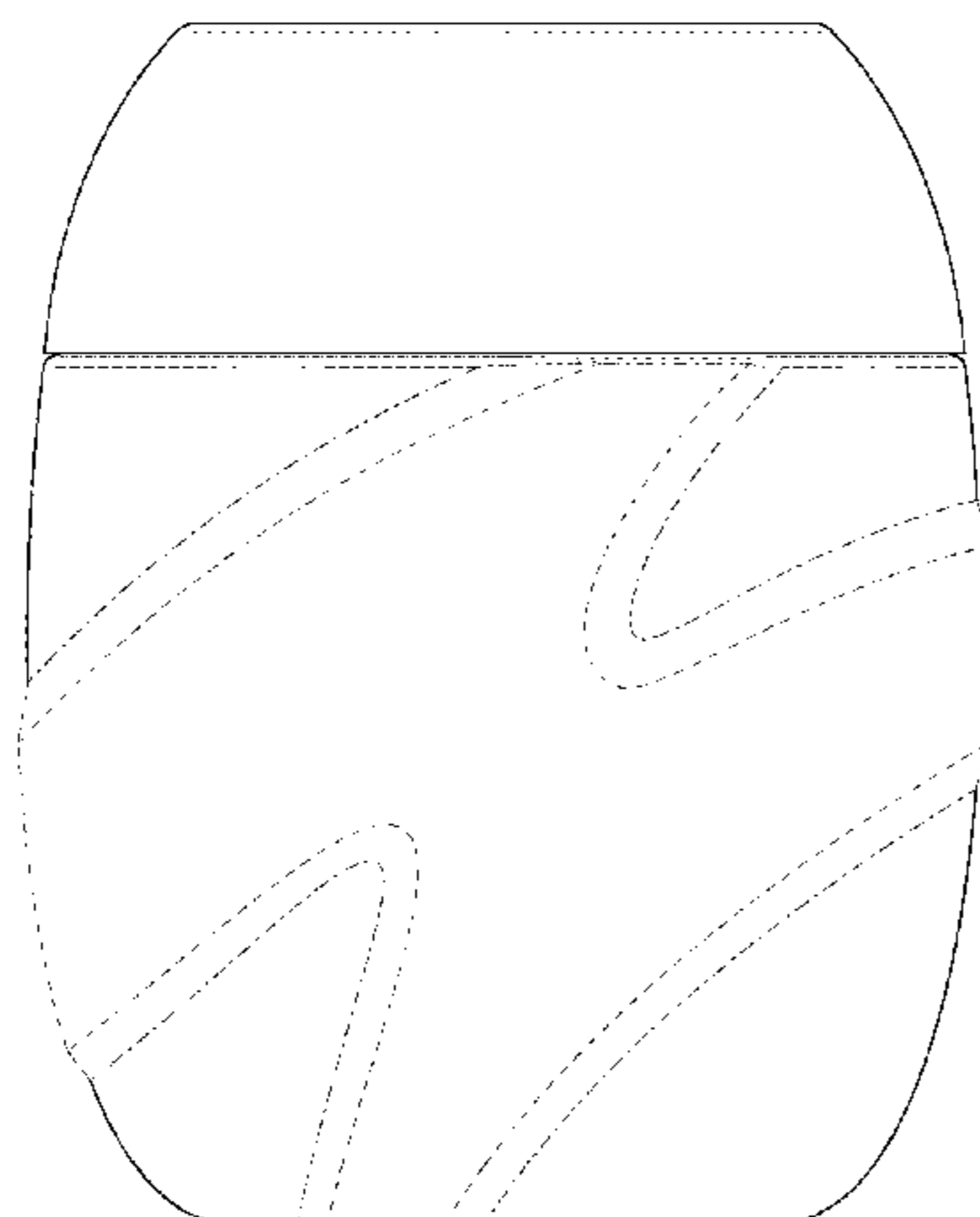
FIG. 6 is a right side view thereof;

FIG. 7 is a top view thereof; and,

FIG. 8 is a bottom view thereof.

The dashed broken lines in the figures show portions of the container that form no part of the claimed design.

(Continued)



The dot-dash broken lines in the figures show boundaries that form no part of the claimed design.

**1 Claim, 8 Drawing Sheets**

(56)

**References Cited**

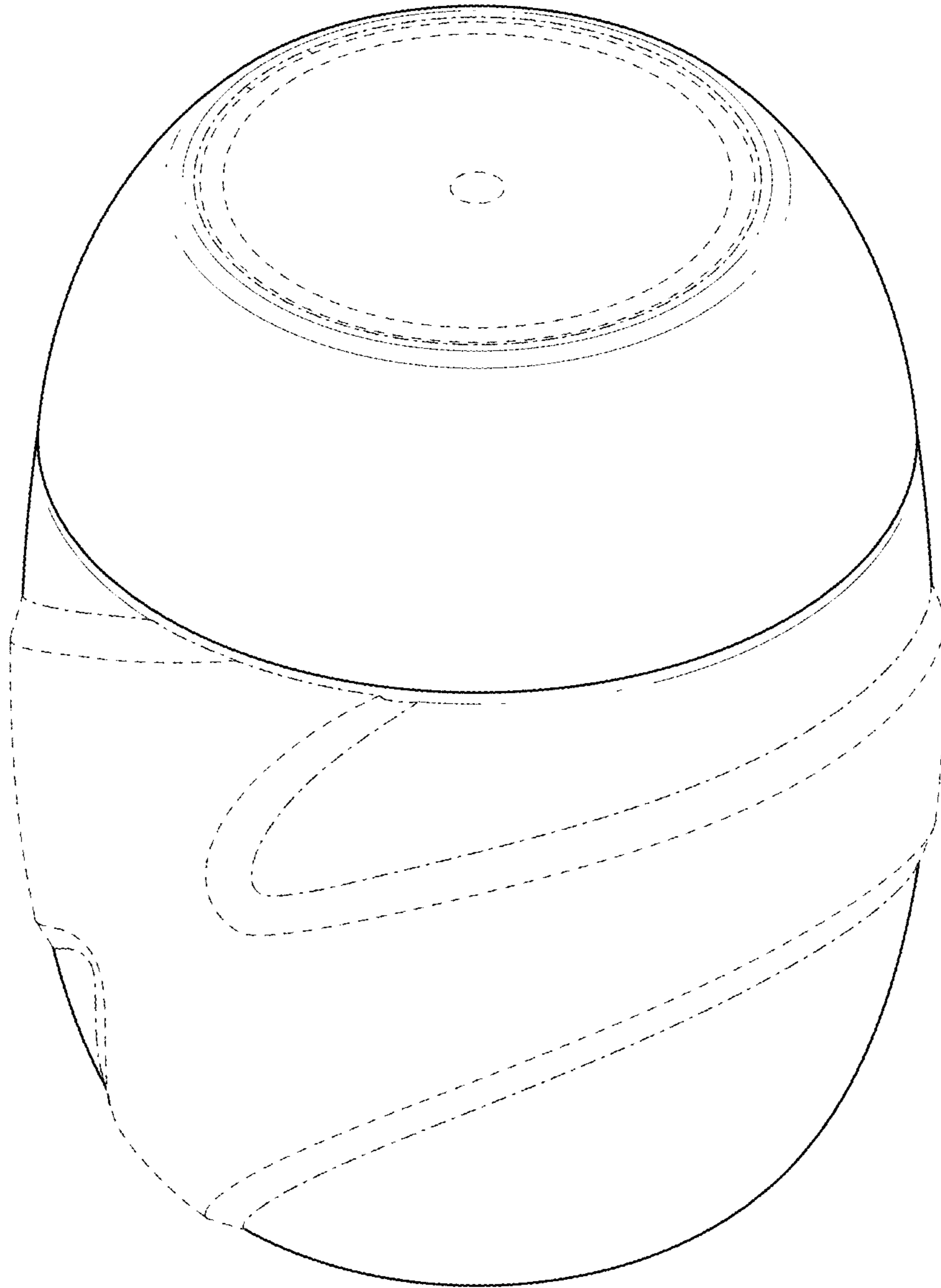
U.S. PATENT DOCUMENTS

D445,032	S	*	7/2001	Hammer	.....	D9/504
D477,535	S	*	7/2003	Thorpe	.....	D28/76
D540,170	S	*	4/2007	Canamasas Puigbo	.....	D9/504
D593,372	S	*	6/2009	Carreno	.....	D7/608
D610,009	S	*	2/2010	Prufer	.....	D9/504
D621,708	S	*	8/2010	Thomas	.....	D9/500
D621,710	S	*	8/2010	Cueto	.....	D9/504
D677,570	S	*	3/2013	Cueto	.....	D9/504
D681,278	S	*	4/2013	Schlatter	.....	D28/82
D699,578	S		2/2014	Marina et al.		
D701,767	S		4/2014	Marina et al.		
D707,561	S	*	6/2014	You	.....	D9/454
D721,589	S	*	1/2015	Sturdevant	.....	D9/504
D729,593	S	*	5/2015	Myoung	.....	D7/669
D739,740	S	*	9/2015	Sturdevant	.....	D9/504
D797,520	S	*	9/2017	Kolano	.....	D7/615

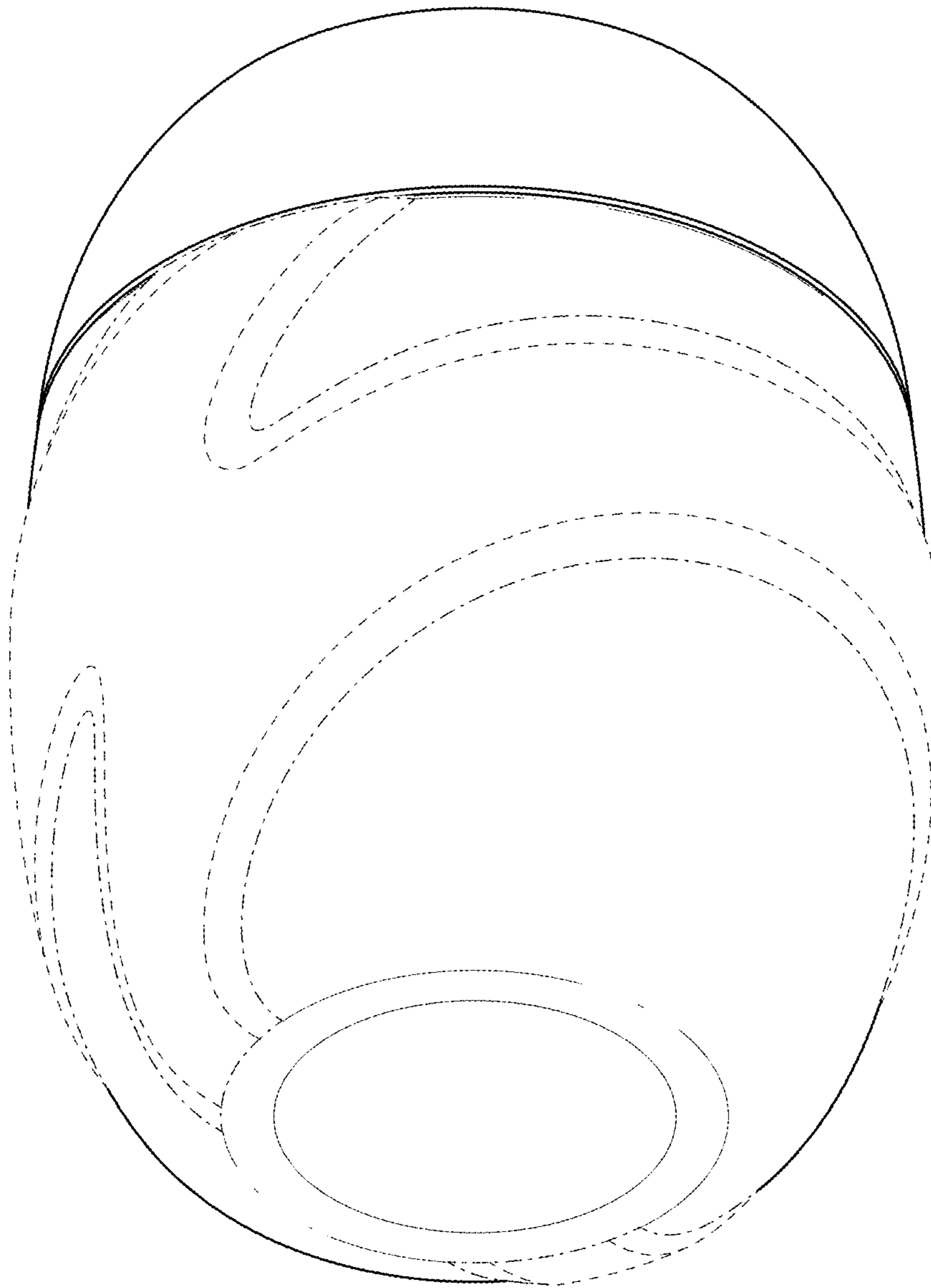
FOREIGN PATENT DOCUMENTS

JP	D965582	10/1996
KR	30-0477693	1/2008

\* cited by examiner



**FIG. 1**



**FIG. 2**

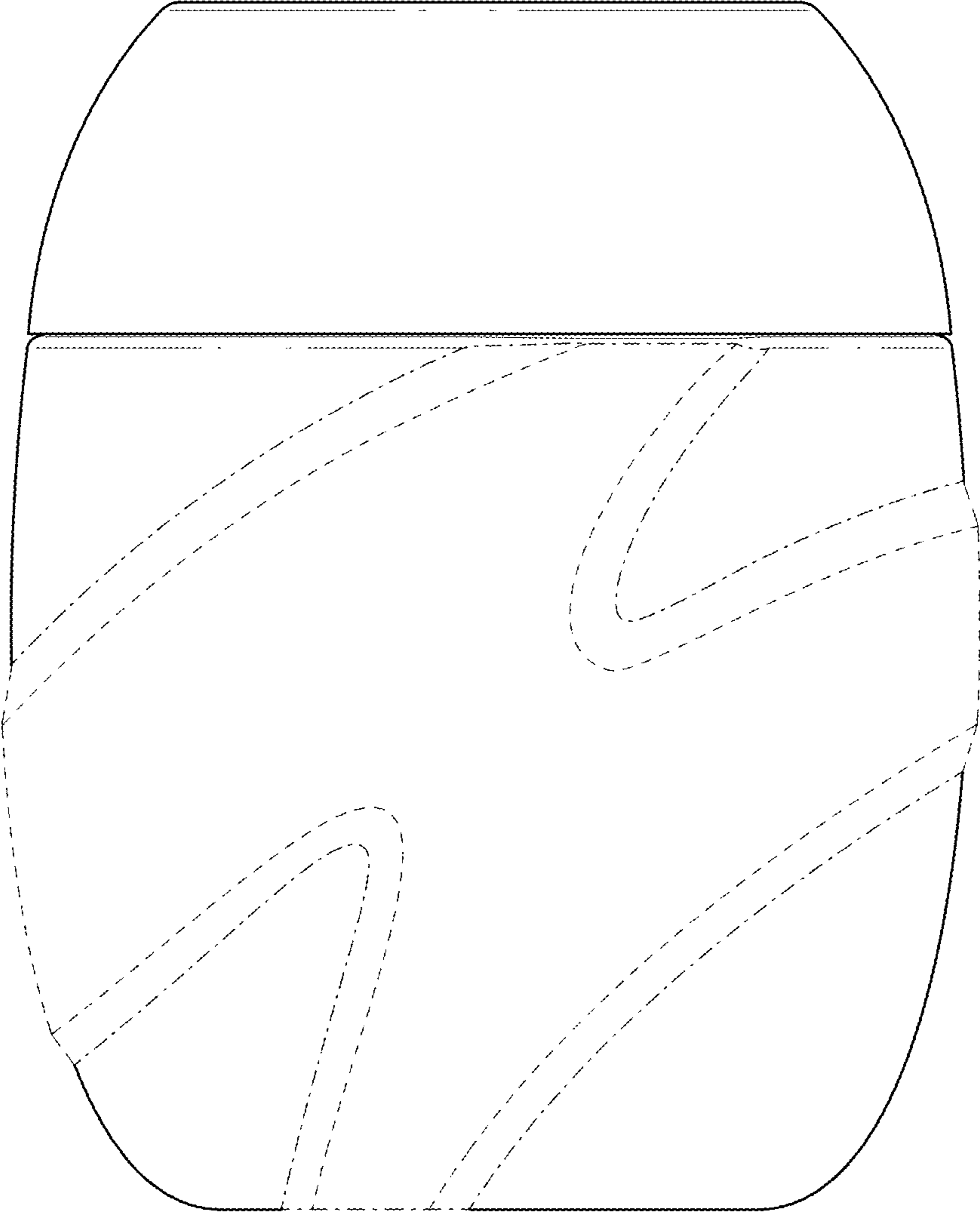
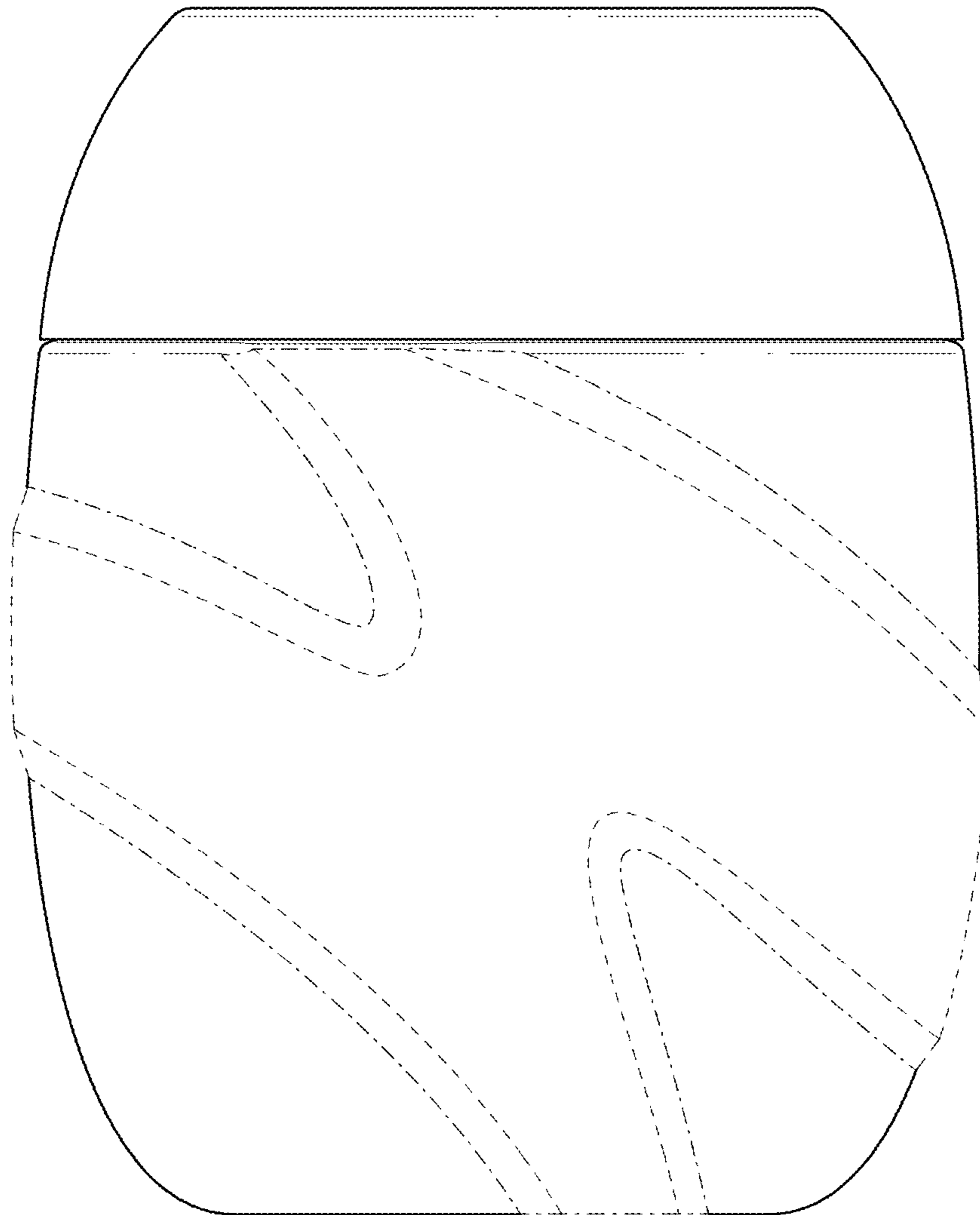
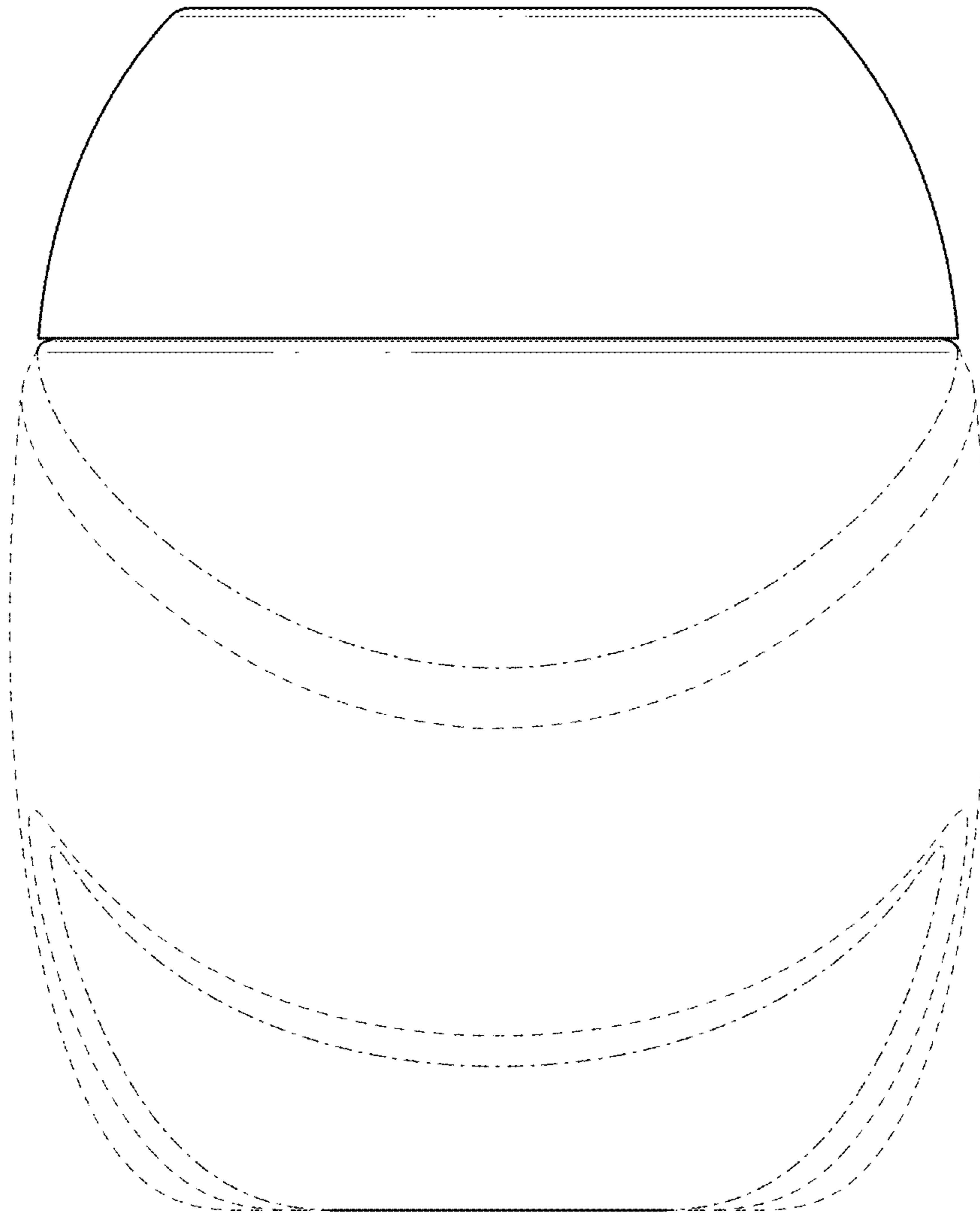


FIG. 3



**FIG. 4**



**FIG. 5**

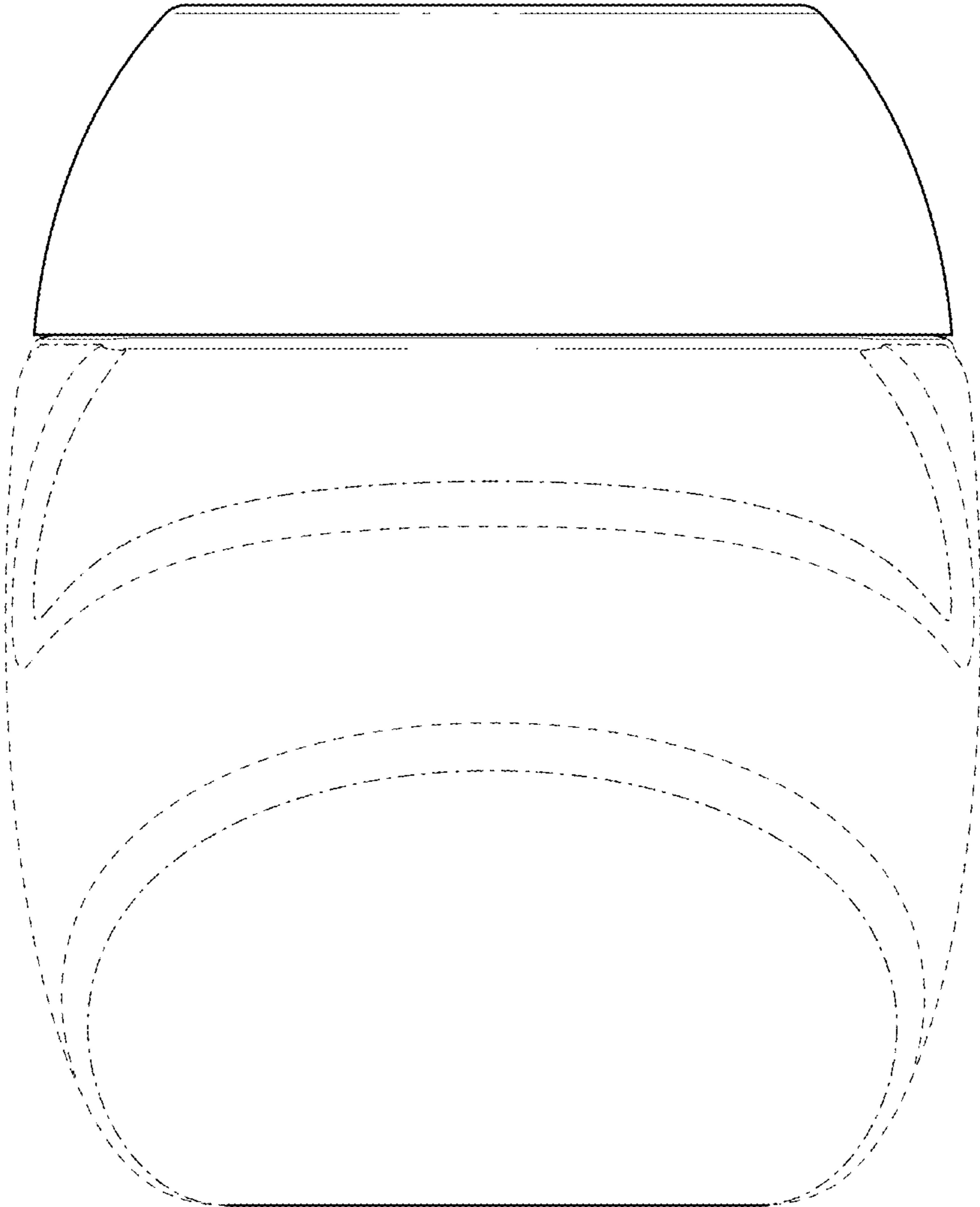
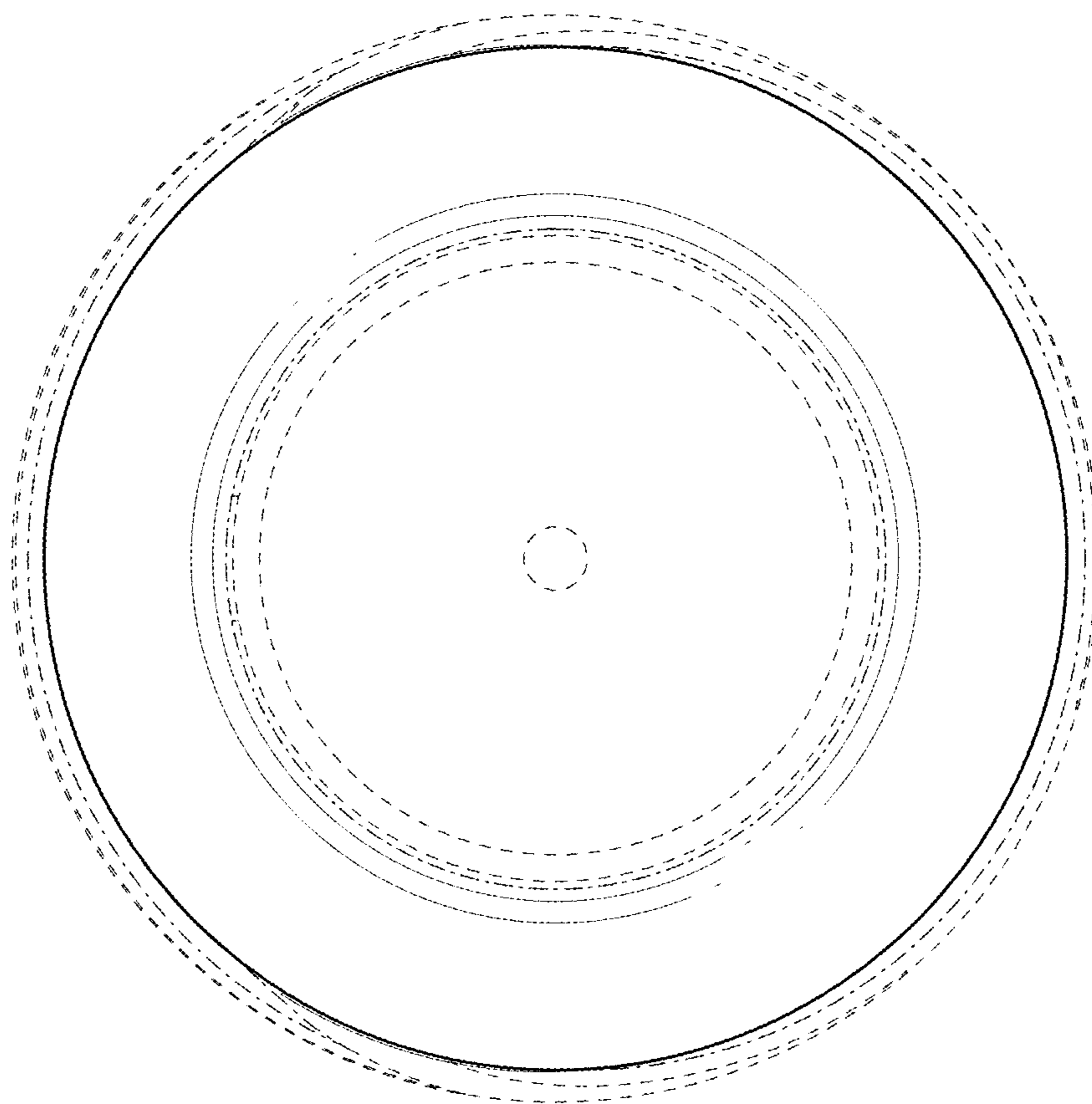
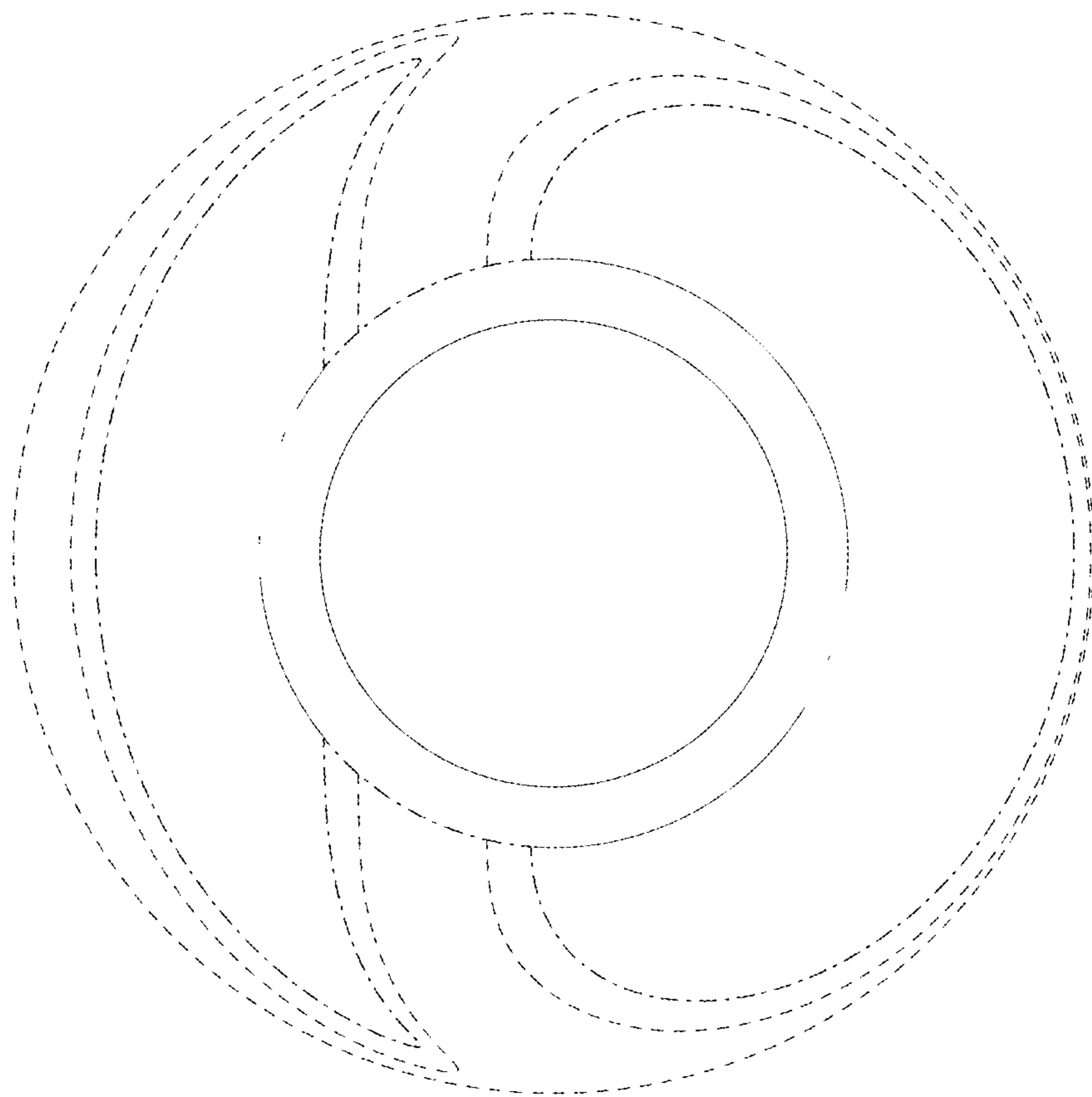


FIG. 6





**FIG. 7**



**FIG. 8**