



US00D808811S

(12) **United States Design Patent**  
**Morris**

(10) **Patent No.:** **US D808,811 S**  
(45) **Date of Patent:** **\*\* Jan. 30, 2018**

(54) **BOTTLE**

(71) Applicant: **GEO PLASTICS**, Los Angeles, CA (US)

(72) Inventor: **Michael Abraham Morris**, Rancho Palos Verdes, CA (US)

(73) Assignee: **GEO Plastics**, Los Angeles, CA (US)

(\*\*) Term: **15 Years**

(21) Appl. No.: **29/569,336**

(22) Filed: **Jun. 27, 2016**

(51) **LOC (11) Cl.** ..... **09-01**

(52) **U.S. Cl.**  
USPC ..... **D9/528**

(58) **Field of Classification Search**  
USPC ..... D9/516, 522, 530, 531, 534, 536, 537, D9/539, 544, 549, 551, 558; 215/248, 215/307, 379, 381-385, 902; 220/660, 220/662, 669, 675  
CPC ..... B29L 2031/7158; B65D 1/0207; B65D 1/0223; B65D 1/023; B65D 13/02; B65D 2501/0081

See application file for complete search history.

(56) **References Cited**

U.S. PATENT DOCUMENTS

D202,479 S *	10/1965	Kelly	.....	D9/528
D277,552 S *	2/1985	Kung	.....	D9/524
4,805,793 A *	2/1989	Brandt	.....	B65D 21/0231
				206/509
5,114,028 A *	5/1992	Ring	.....	B65D 1/18
				215/398
D351,394 S	10/1994	Morris		
D357,417 S *	4/1995	Van Keimpema	.....	D9/528
D371,967 S *	7/1996	Miller	.....	D9/520
D373,532 S *	9/1996	Miller	.....	D9/520
D378,494 S *	3/1997	Miller	.....	D9/528

D520,367 S	5/2006	Morris		
D670,170 S *	11/2012	Voelker	.....	D9/528
2008/0073317 A1 *	3/2008	Dygert	.....	B65D 1/20
				215/397
2013/0068764 A1 *	3/2013	Kuhar	.....	B65D 85/00
				220/23.83

\* cited by examiner

*Primary Examiner* — Derrick Holland

*Assistant Examiner* — Janice Patyk

(74) *Attorney, Agent, or Firm* — Knobbe Martens Olson & Bear, LLP

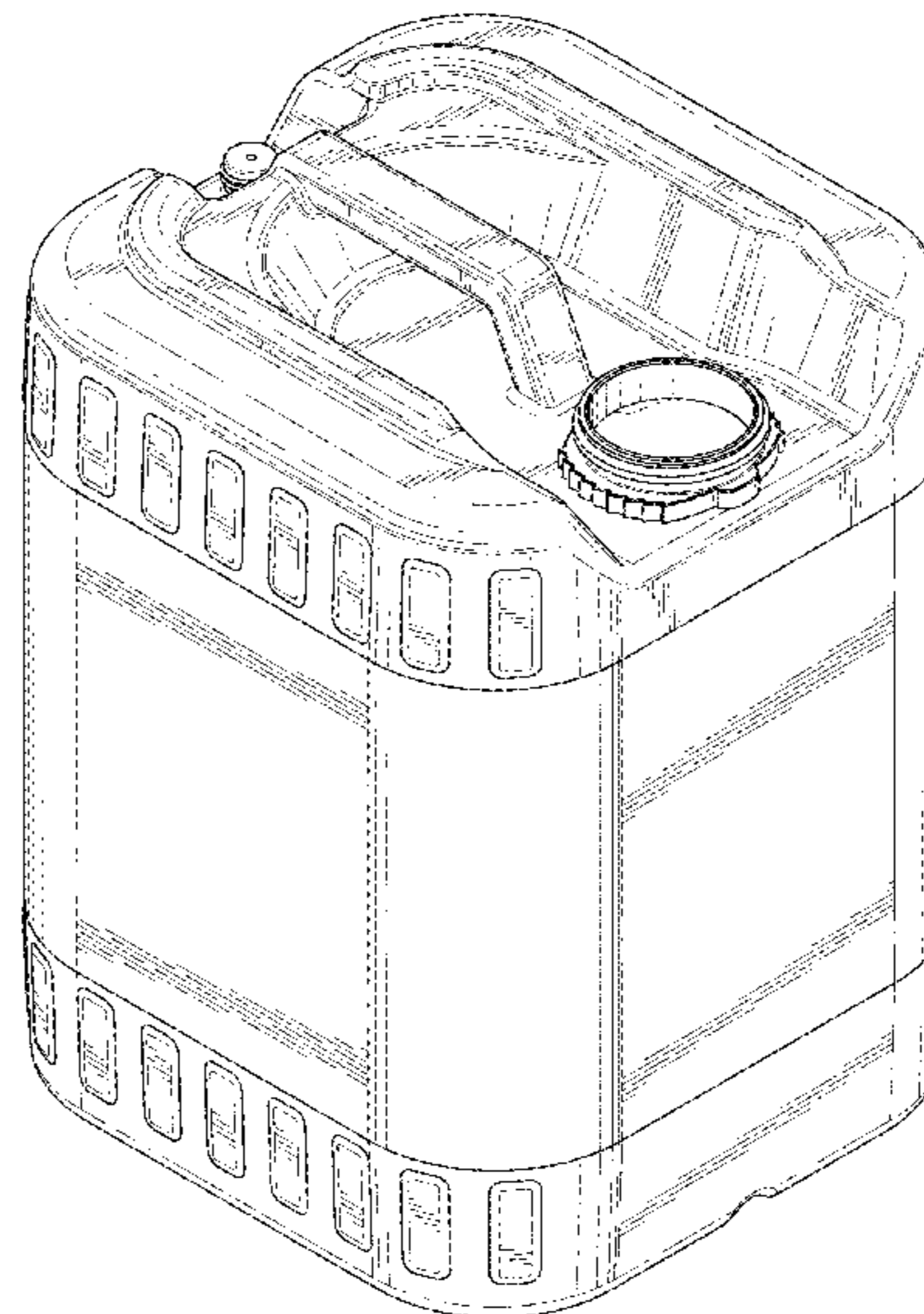
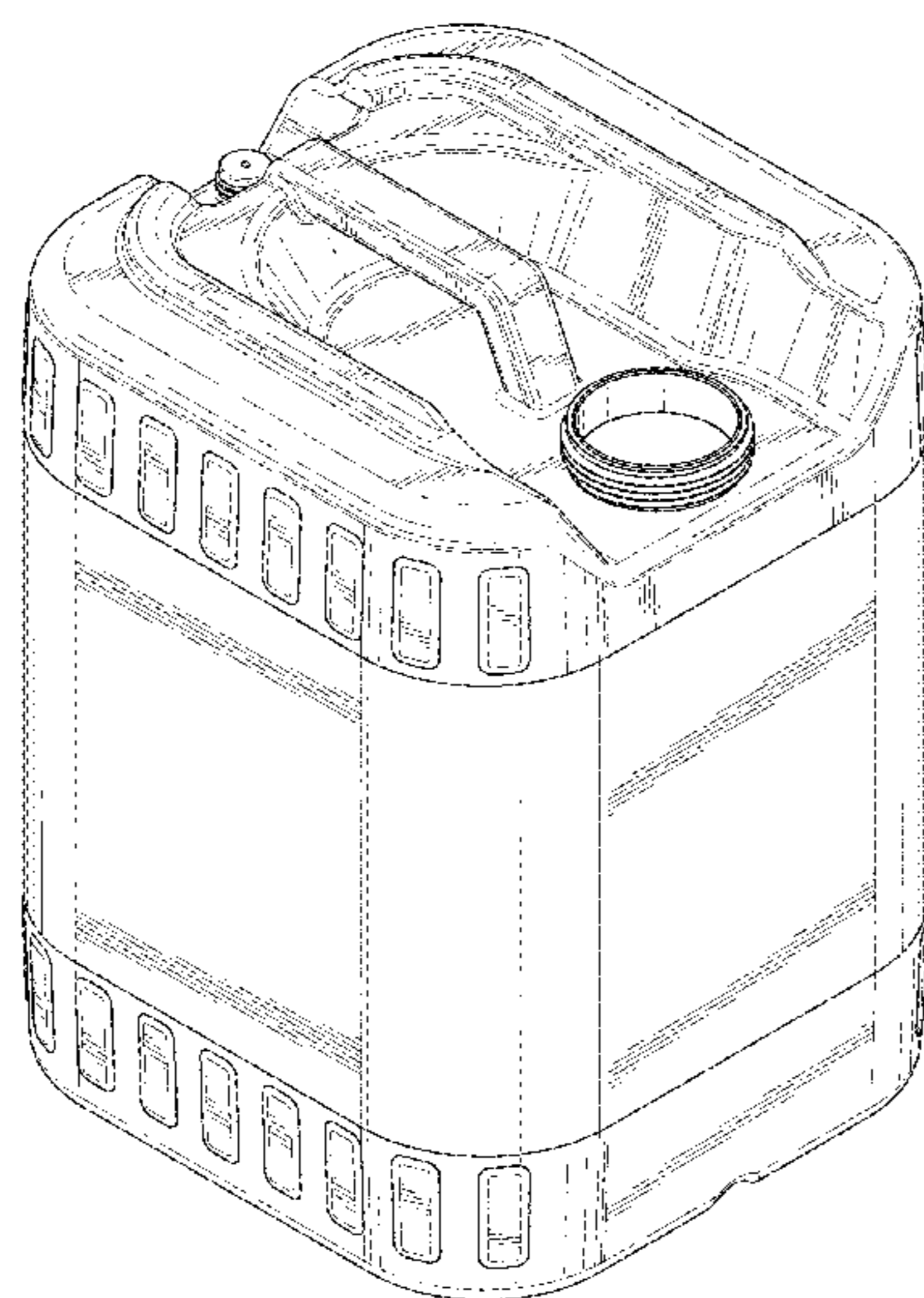
(57) **CLAIM**

The ornamental design for a bottle, as shown and described.

**DESCRIPTION**

FIG. 1 is a left, front, and top perspective view of embodiment one, of a bottle, showing my new design;  
 FIG. 2 is a top plan view of the bottle of FIG. 1;  
 FIG. 3 is a bottom plan view of the bottle of FIG. 1;  
 FIG. 4 is a front elevational view of the bottle of FIG. 1;  
 FIG. 5 is a back elevational view of the bottle of FIG. 1;  
 FIG. 6 is a right elevational view of the bottle of FIG. 1; and  
 FIG. 7 is a left elevational view of the bottle of FIG. 1;  
 FIG. 8 is a left, front, and top perspective view of embodiment two, of a bottle, showing my new design;  
 FIG. 9 is a top plan view of the bottle of FIG. 8;  
 FIG. 10 is a bottom plan view of the bottle of FIG. 8;  
 FIG. 11 is a front elevational view of the bottle of FIG. 8;  
 FIG. 12 is a back elevational view of the bottle of FIG. 8;  
 FIG. 13 is a right elevational view of the bottle of FIG. 8; and,  
 FIG. 14 is a left elevational view of the bottle of FIG. 8.  
 The broken line portions show unclaimed subject matter only and form no part of the claimed design.

**1 Claim, 14 Drawing Sheets**



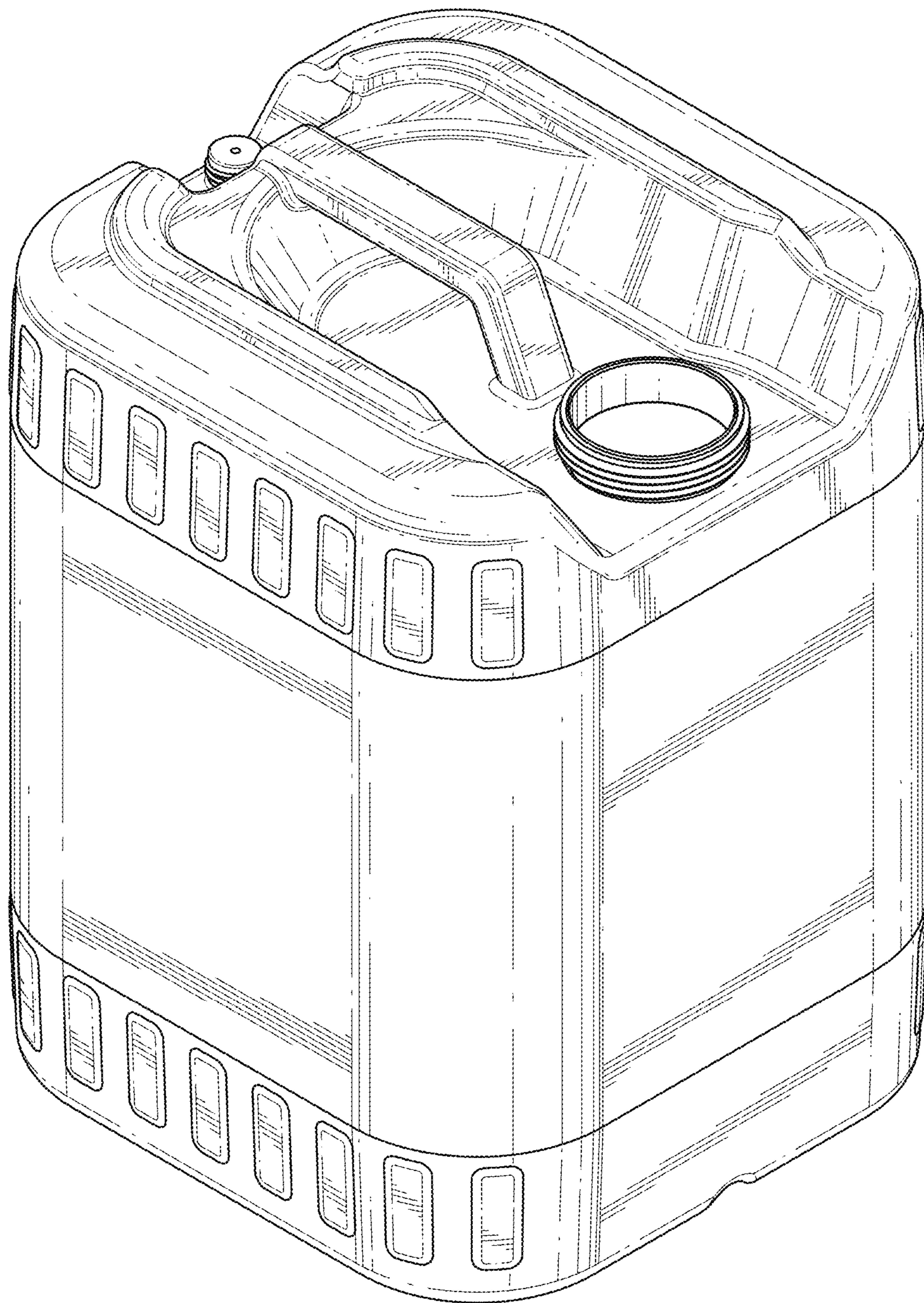
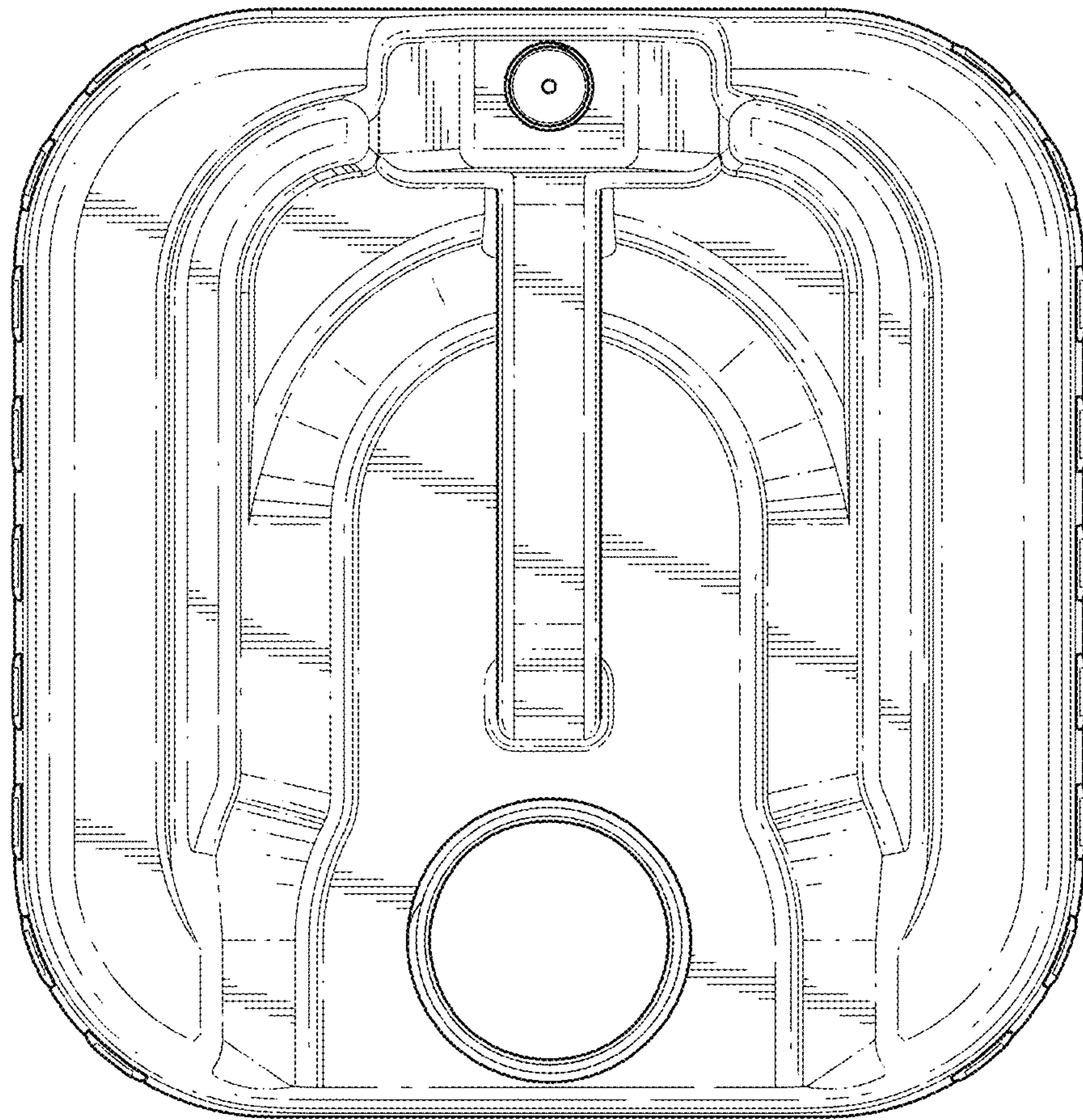
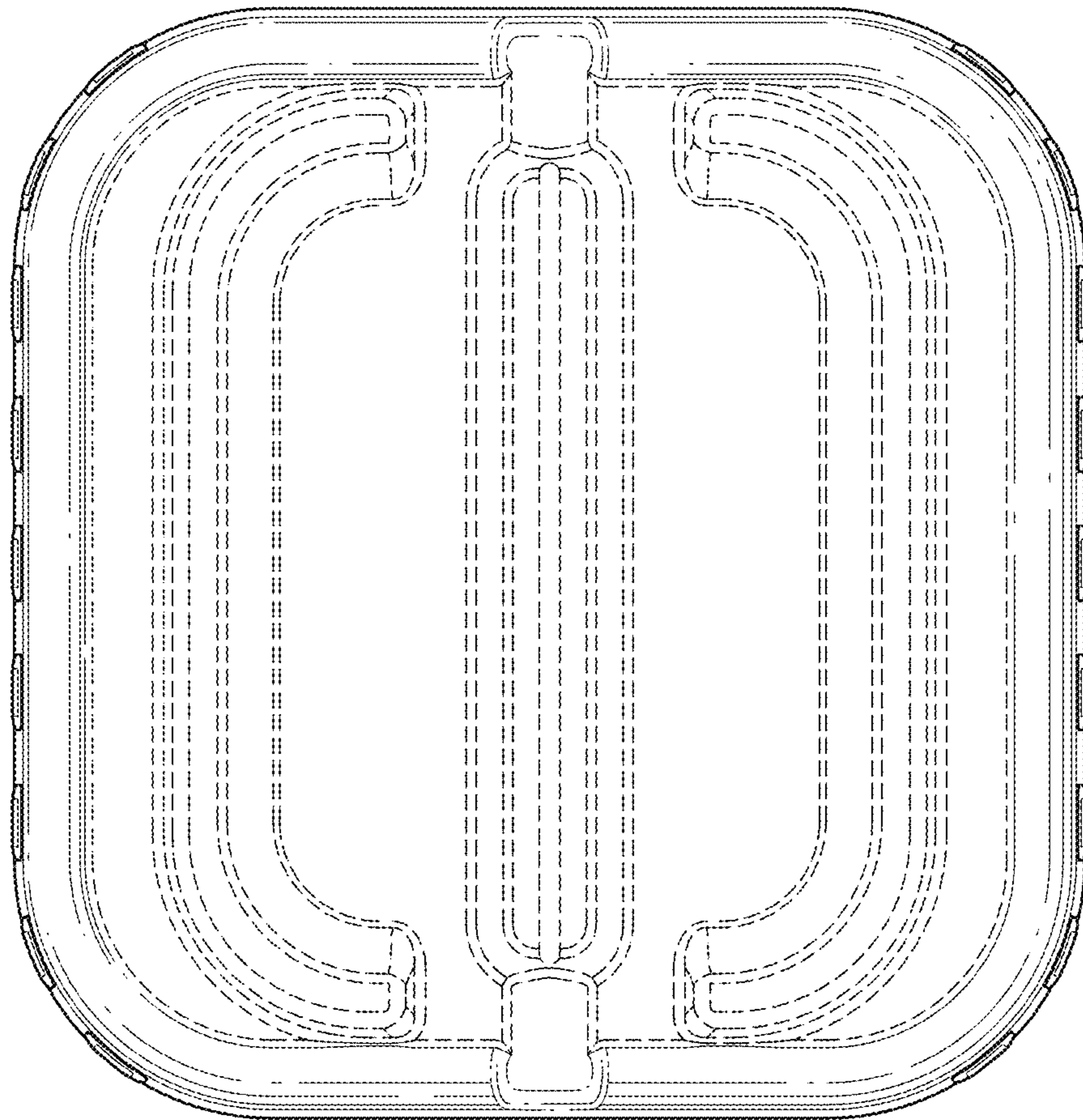


FIG. 1



*FIG. 2*



*FIG. 3*

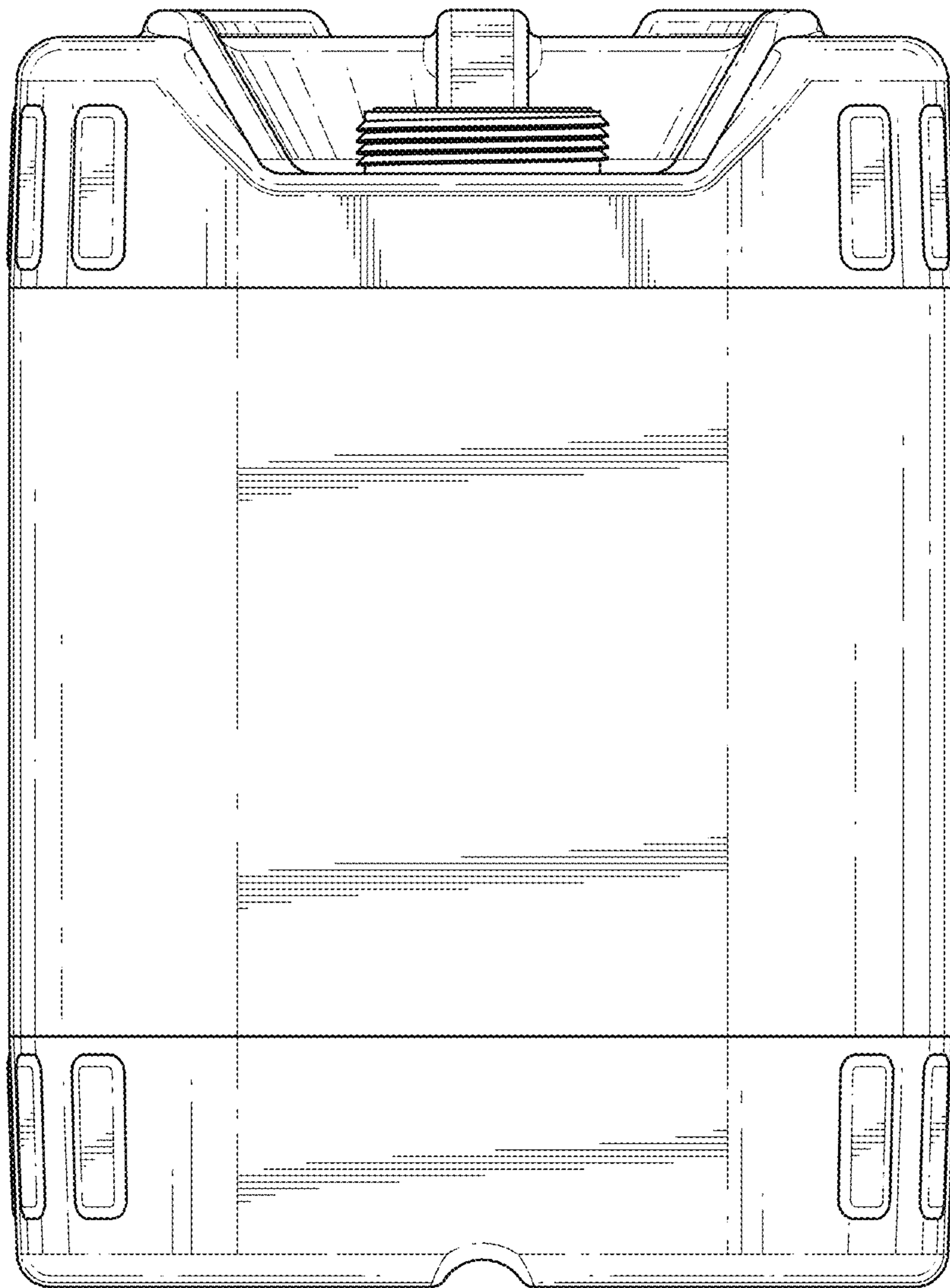


FIG. 4

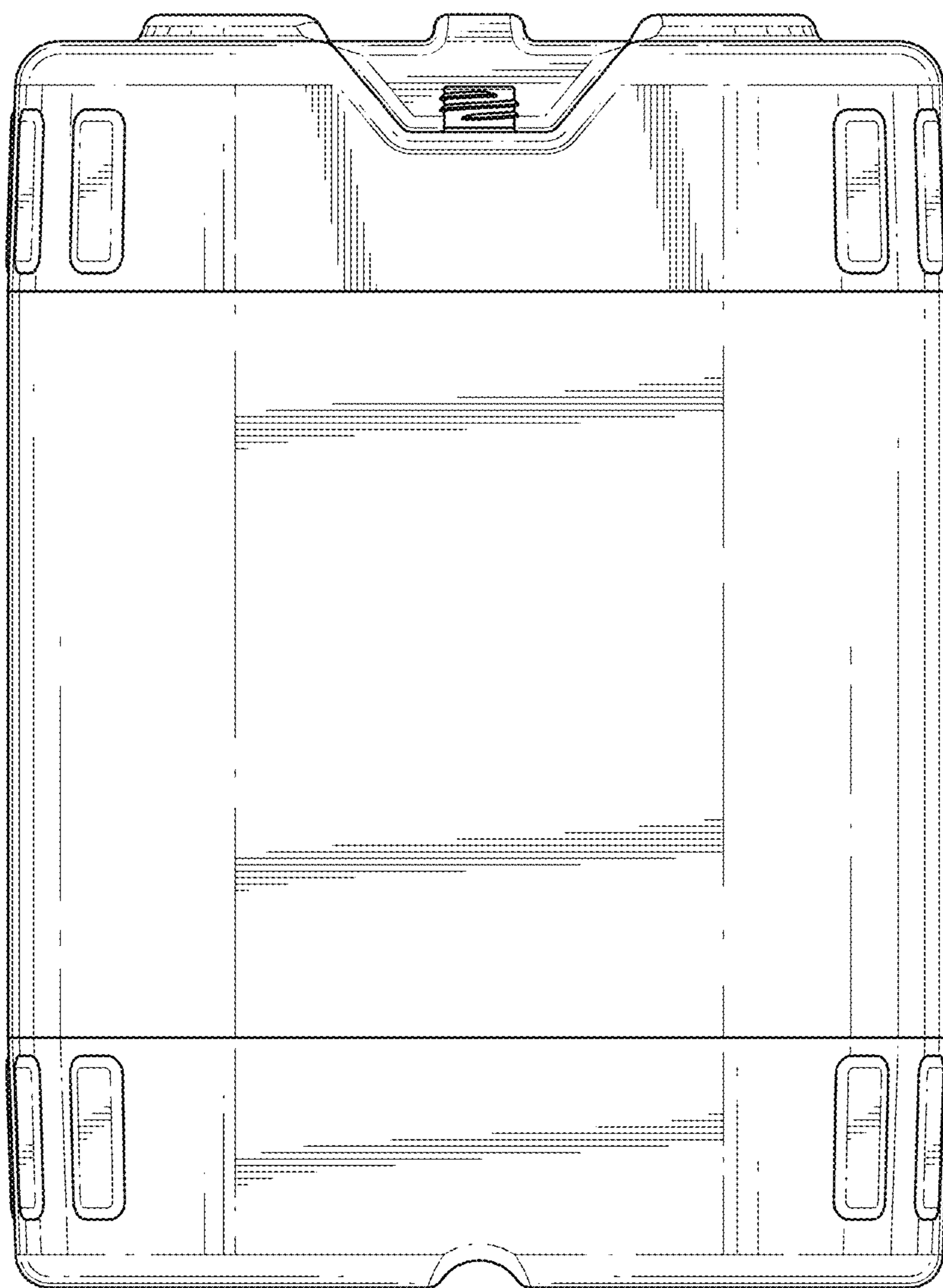


FIG. 5

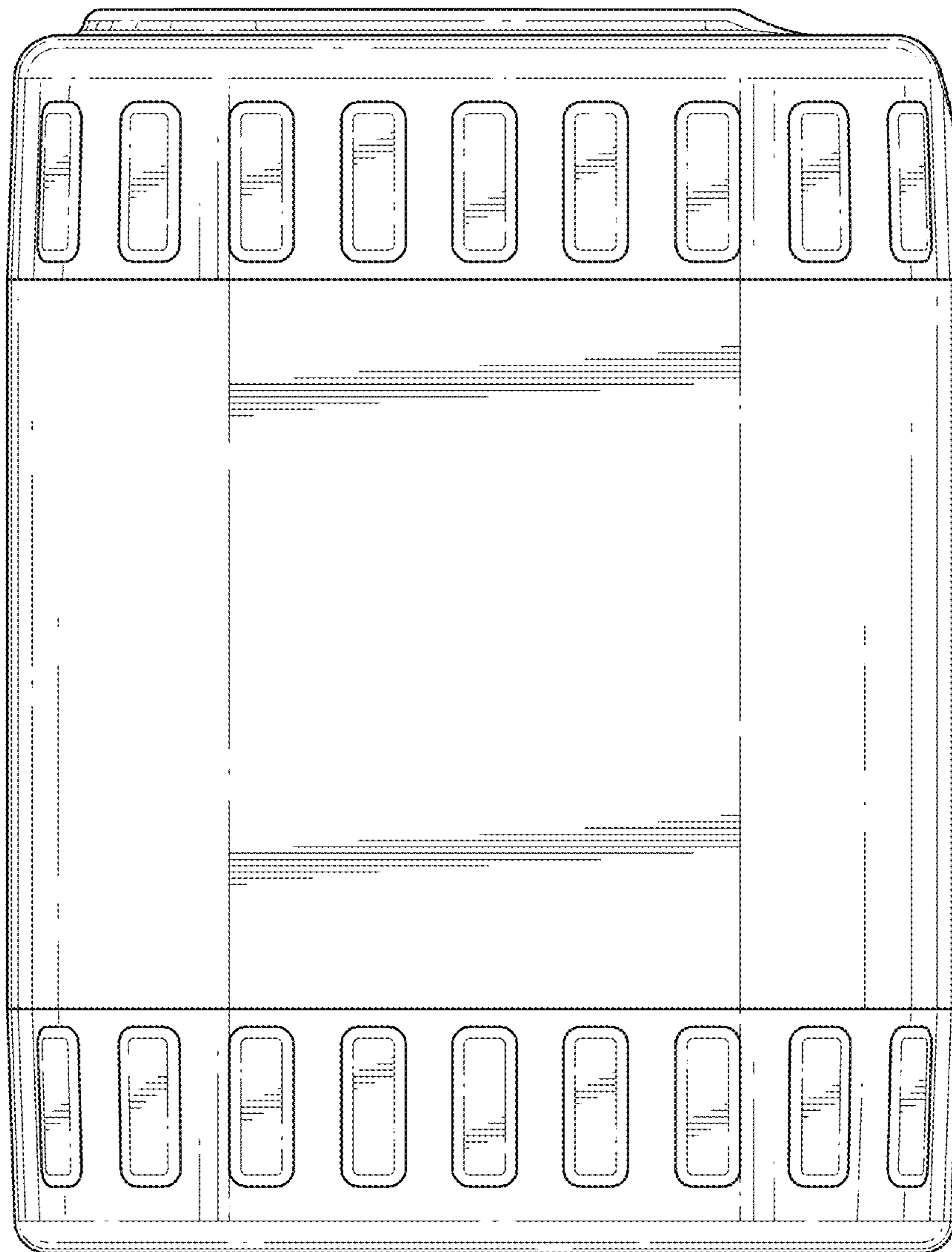


FIG. 6

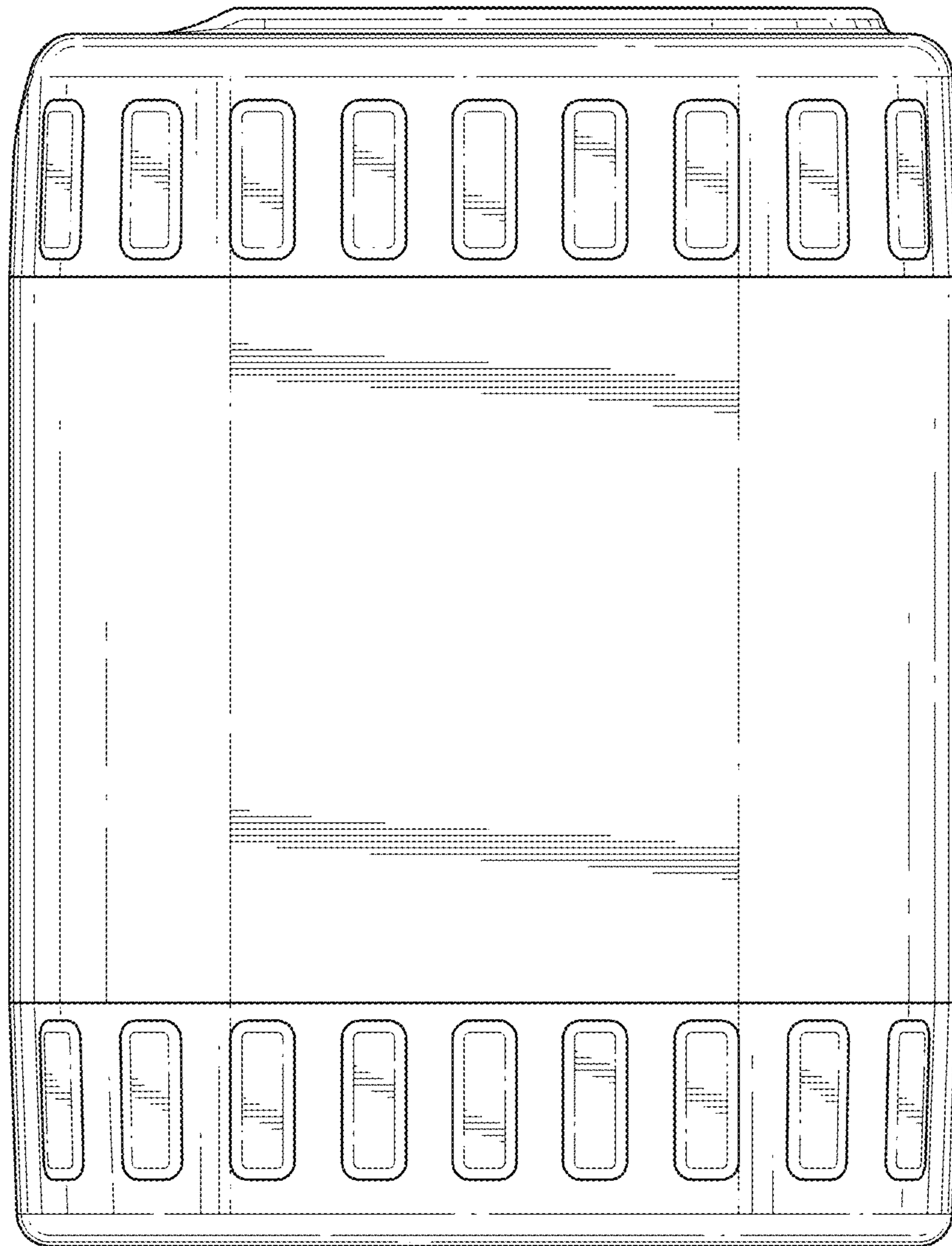


FIG. 7



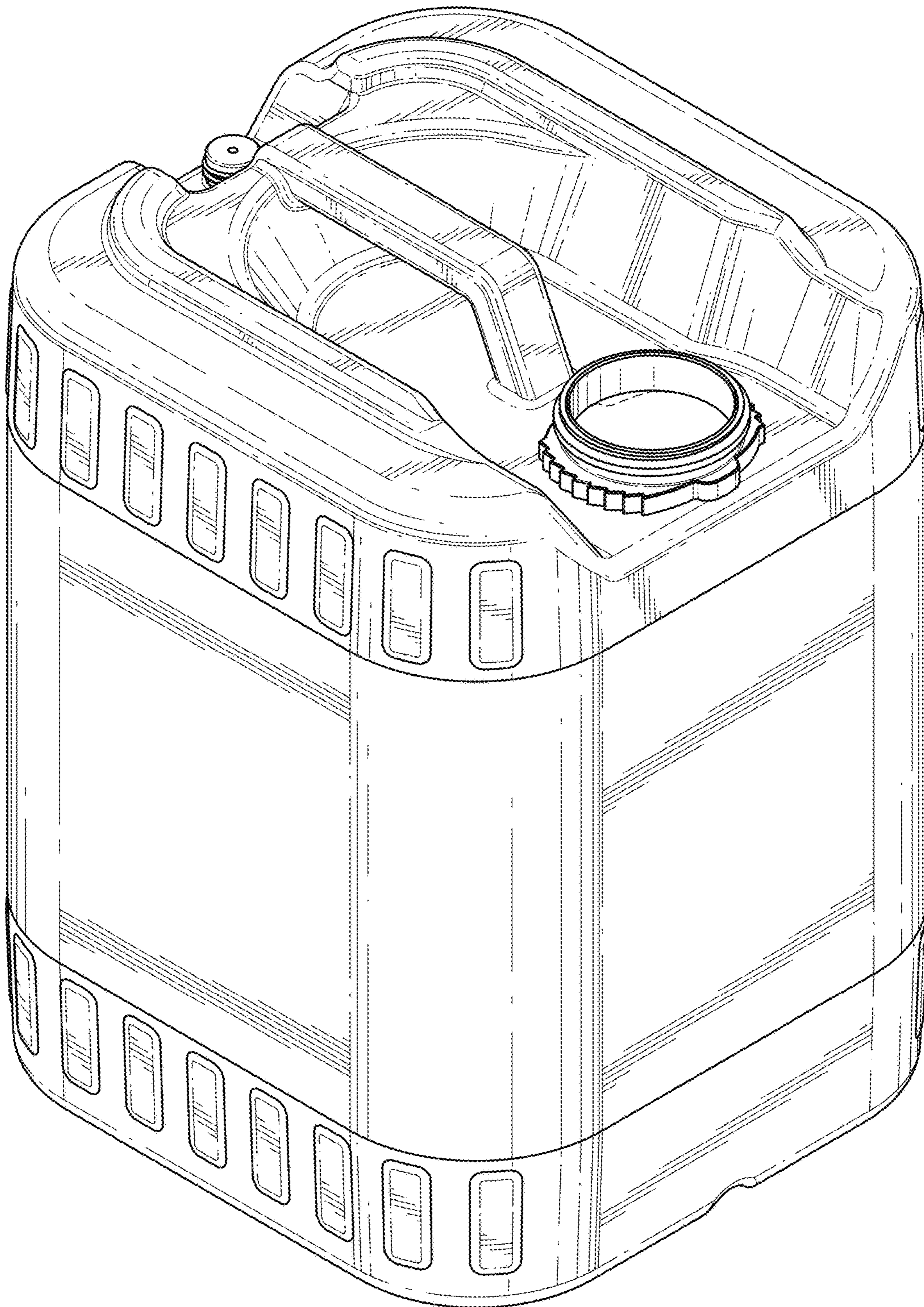


FIG. 8

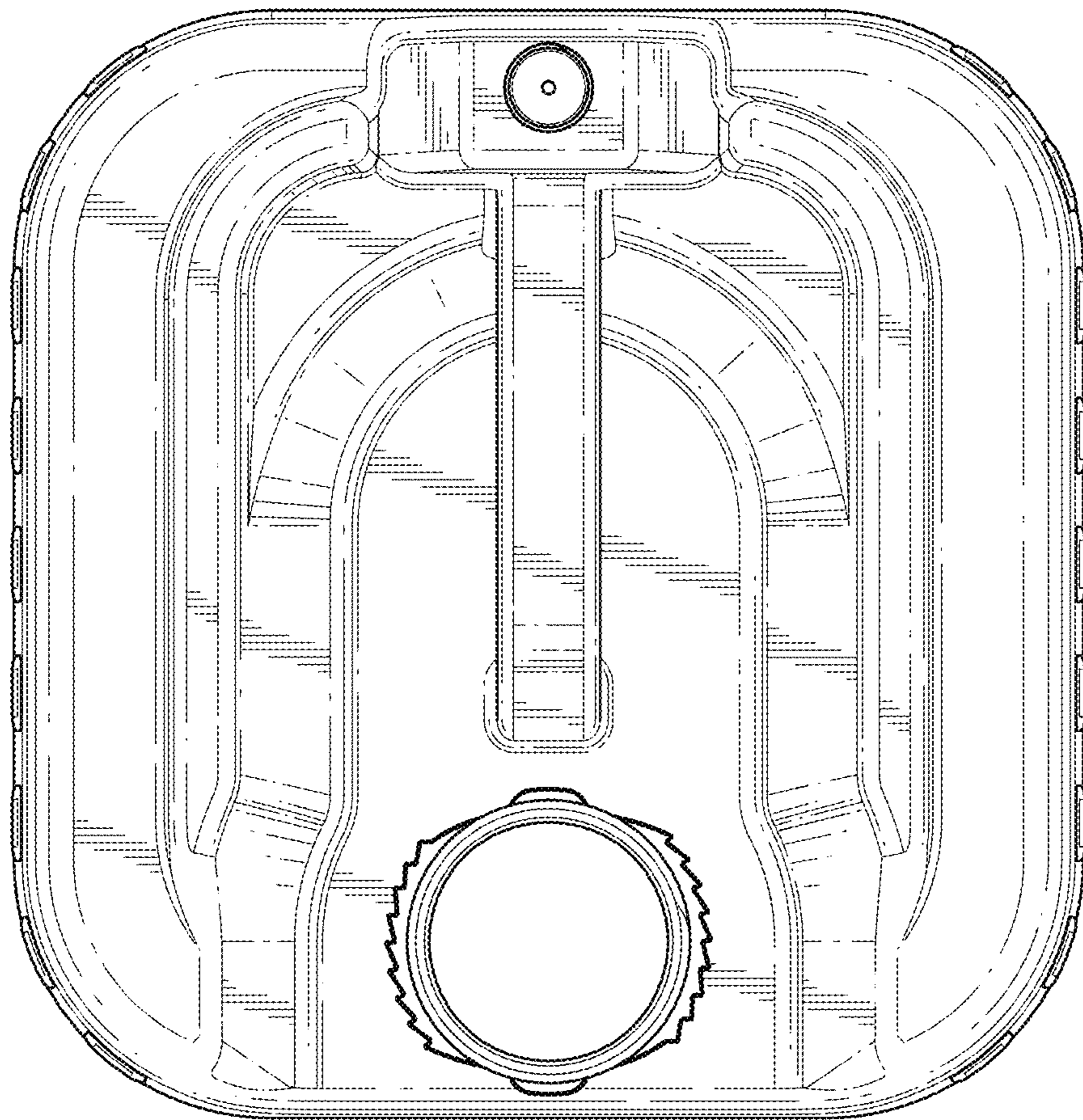
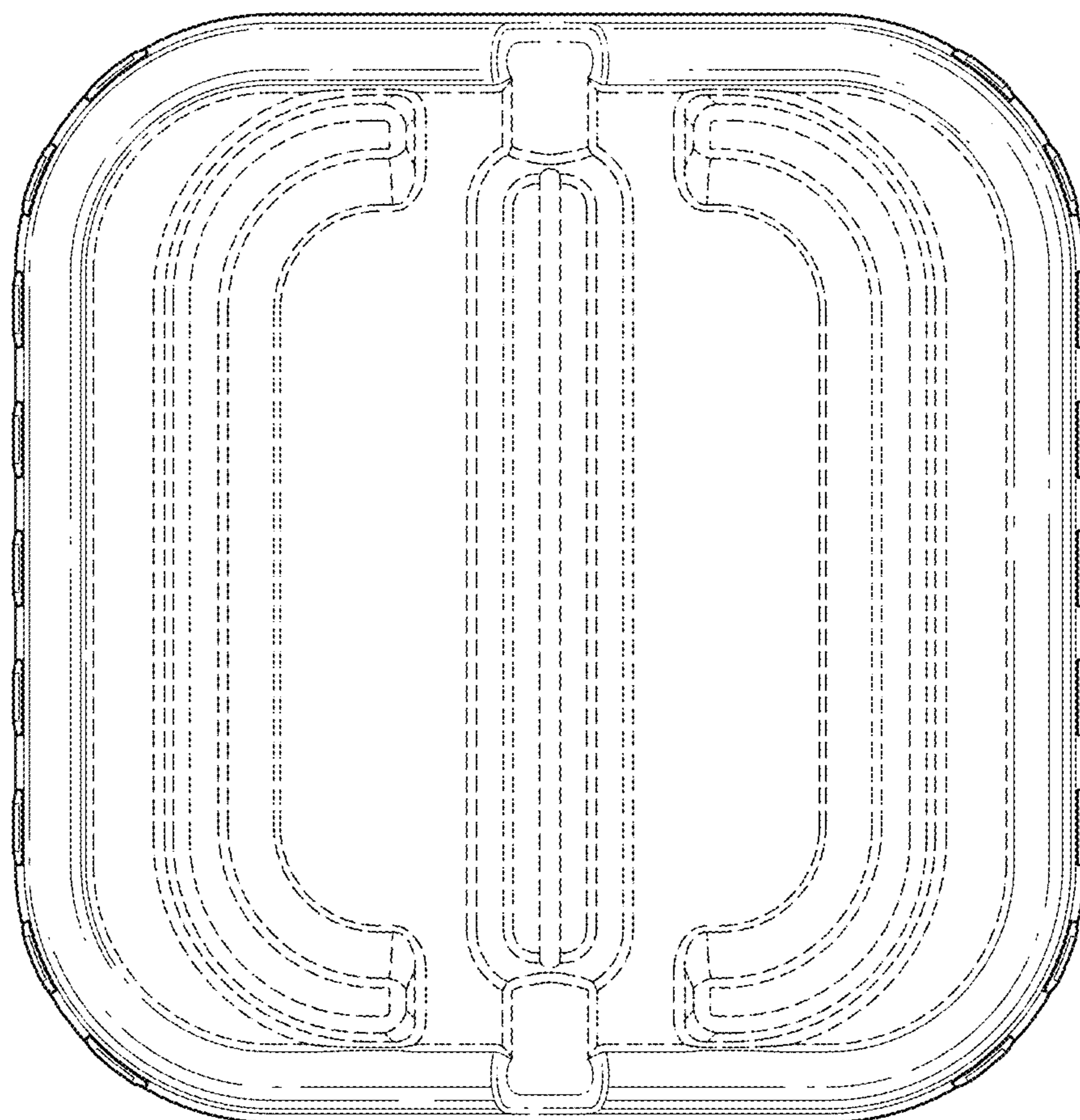


FIG. 9



*FIG. 10*

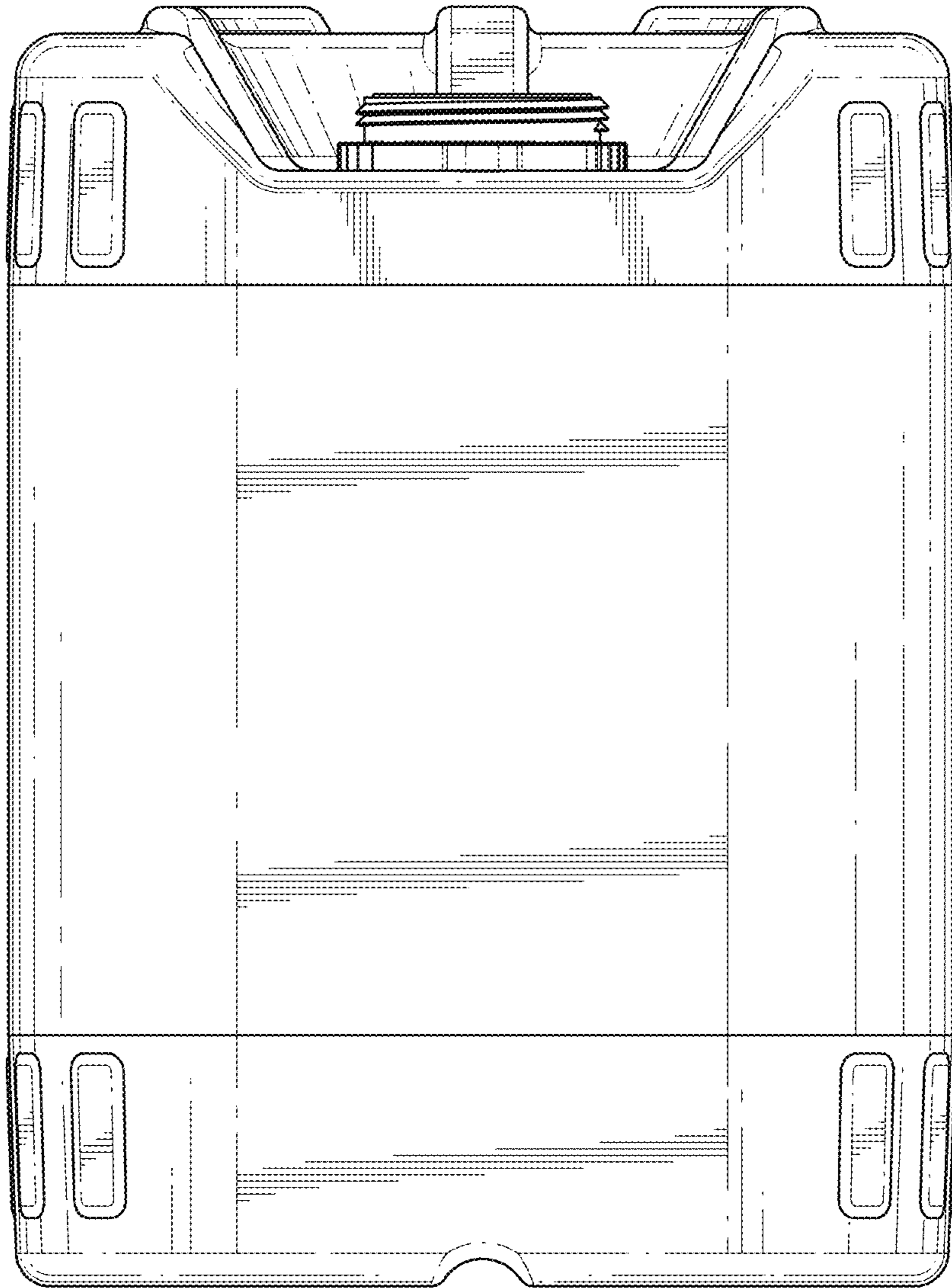


FIG. 11

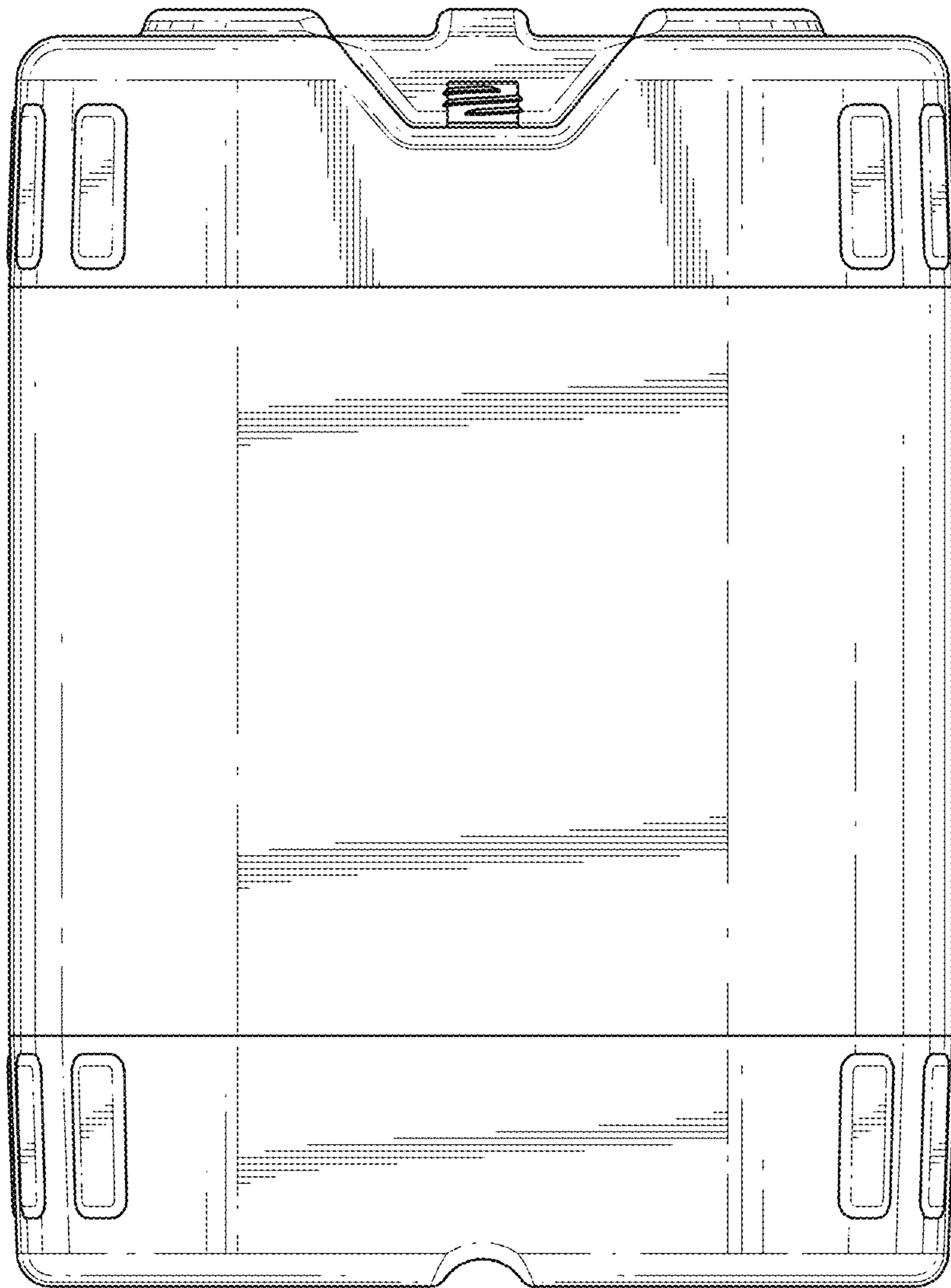


FIG. 12

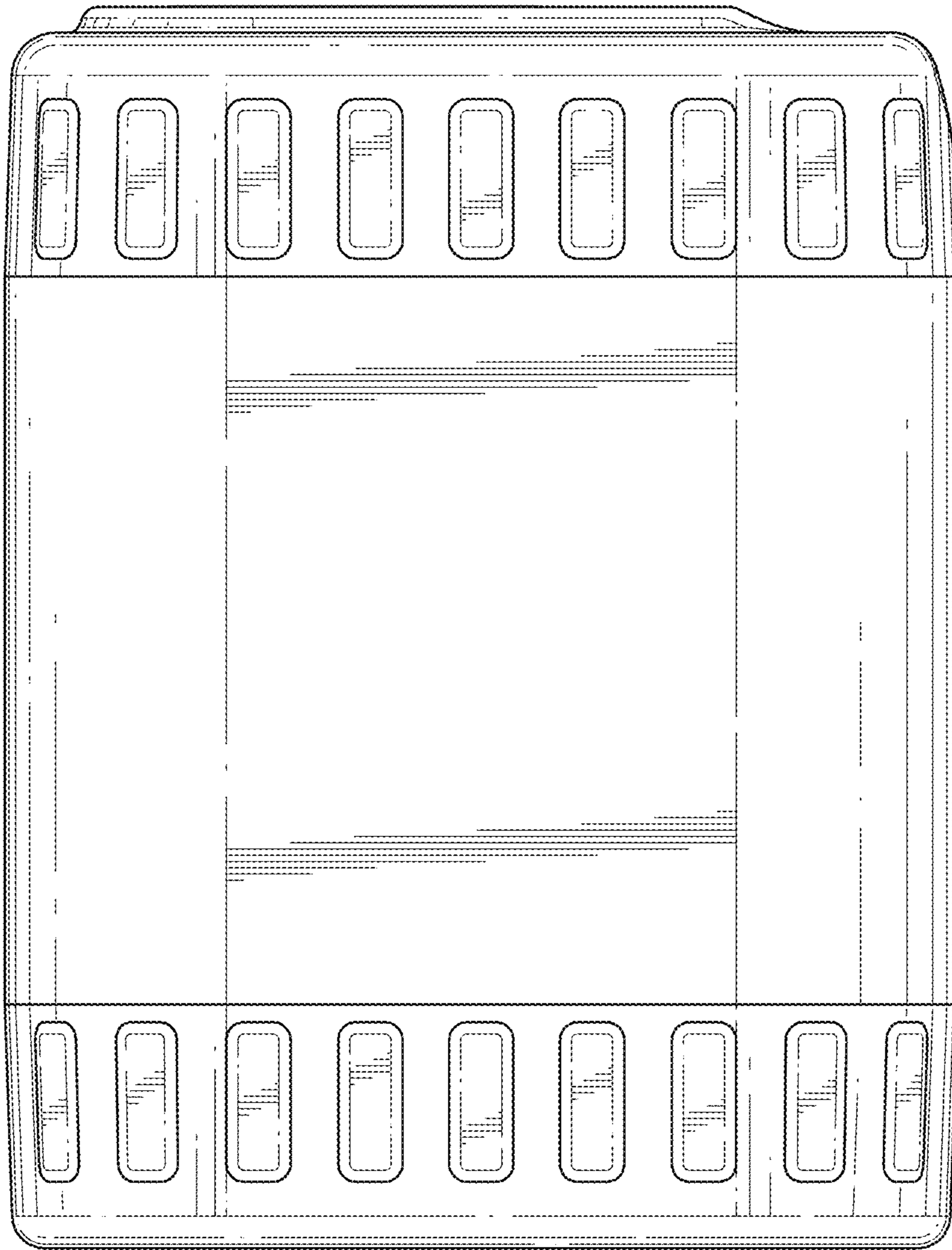


FIG. 13

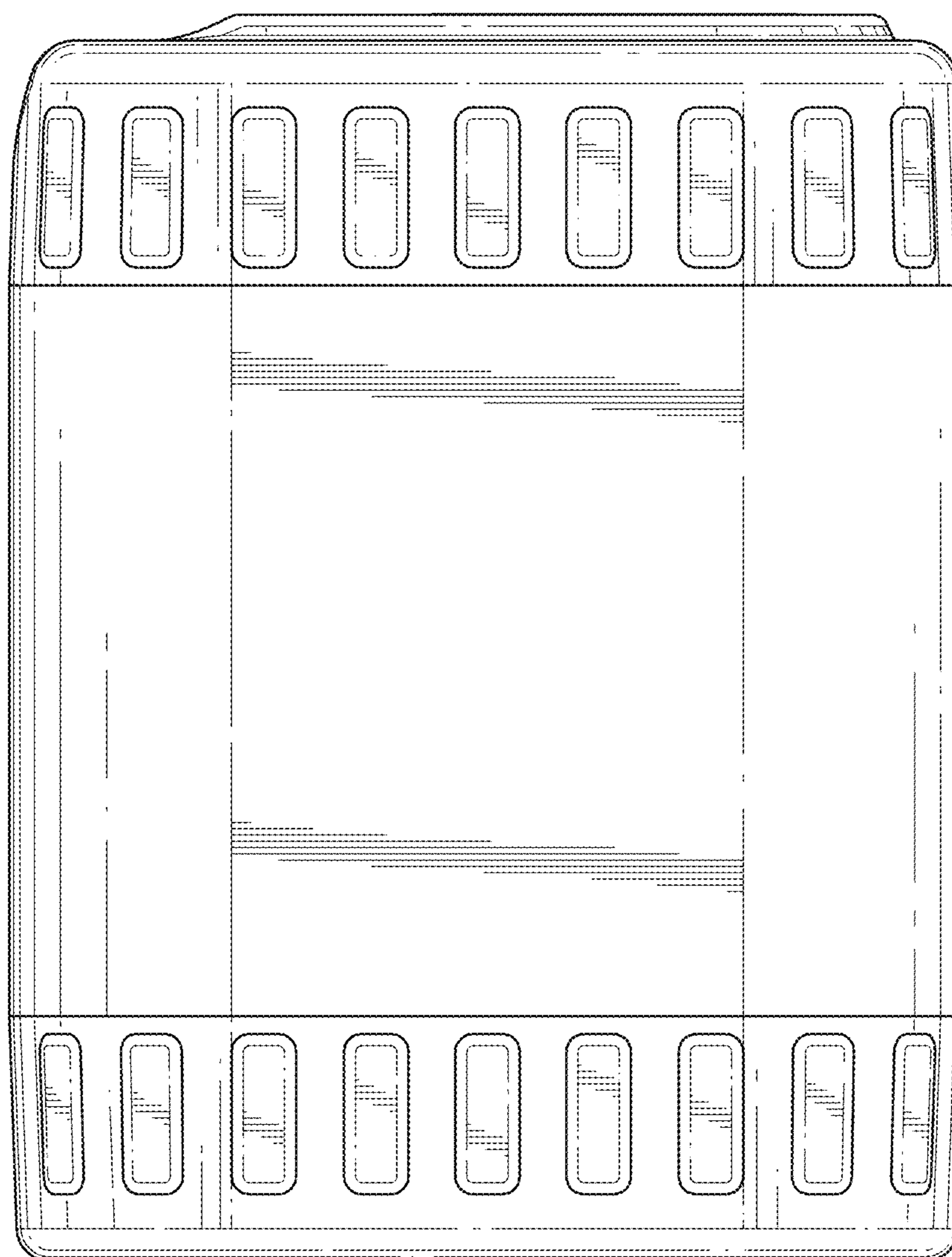


FIG. 14