



US00D808810S

(12) **United States Design Patent**
Rajesh et al.

(10) **Patent No.:** **US D808,810 S**
(45) **Date of Patent:** **** Jan. 30, 2018**

- (54) **BOTTLE NECK**
- (71) Applicant: **The Coca-Cola Company**, Atlanta, GA (US)
- (72) Inventors: **Gopalaswamy Rajesh**, Alpharetta, GA (US); **John Elwood Adams**, Alpharetta, GA (US); **Darryl Dawson**, Stockbridge, GA (US)
- (73) Assignee: **The Coca-Cola Company**, Atlanta, GA (US)
- (**) Term: **15 Years**
- (21) Appl. No.: **29/534,030**
- (22) Filed: **Jul. 24, 2015**

Related U.S. Application Data

- (63) Continuation-in-part of application No. 29/528,817, filed on Jun. 1, 2015.
- (51) **LOC (11) Cl.** **09-07**
- (52) **U.S. Cl.**
USPC **D9/516**
- (58) **Field of Classification Search**
USPC D9/500, 503-505, 516, 537, 539, 545, D9/551, 549, 558, 763-764, 772; 215/379, 381-384; 220/660, 662, 220/669-673, 675
CPC B65D 1/00; B65D 1/02; B65D 1/0223; B65D 1/023; B65D 1/0246; B65D 23/00; B65D 81/00; B65D 2501/00; B65D 2501/0009; B21D 51/38
See application file for complete search history.

(56) **References Cited**

U.S. PATENT DOCUMENTS

- D63,657 S 12/1923 Root
- 1,711,469 A 4/1929 Stratford
- D86,222 S 2/1932 De Fauzon

- D133,559 S 8/1942 Meyer
- 3,823,032 A 7/1974 Ukai
- 3,871,541 A 3/1975 Adomaitis
- 4,065,589 A 12/1977 Lenard et al.
- D441,650 S * 5/2001 Salzburg D9/434
- D472,471 S * 4/2003 McClure D9/537
- D473,143 S * 4/2003 McClure D9/537
- D501,140 S 1/2005 Fung et al.
- D504,825 S 5/2005 Nielson

(Continued)

FOREIGN PATENT DOCUMENTS

WO DM/076218 6/2011

OTHER PUBLICATIONS

“Aluminum Bottles” and “Coca-Cola Zero Aluminum Bottle”, Jan. 1, 2010, Online Images, Image Library, Press Center, Coca-Cola Company Website, 13 pp, retrieved Apr. 18, 2014, www.coca-colacompany.com/search?q=Aluminum+Bottles.

Primary Examiner — Dana L Meyrow

(74) *Attorney, Agent, or Firm* — Cynthia R. Parks; Parks IP Law LLC

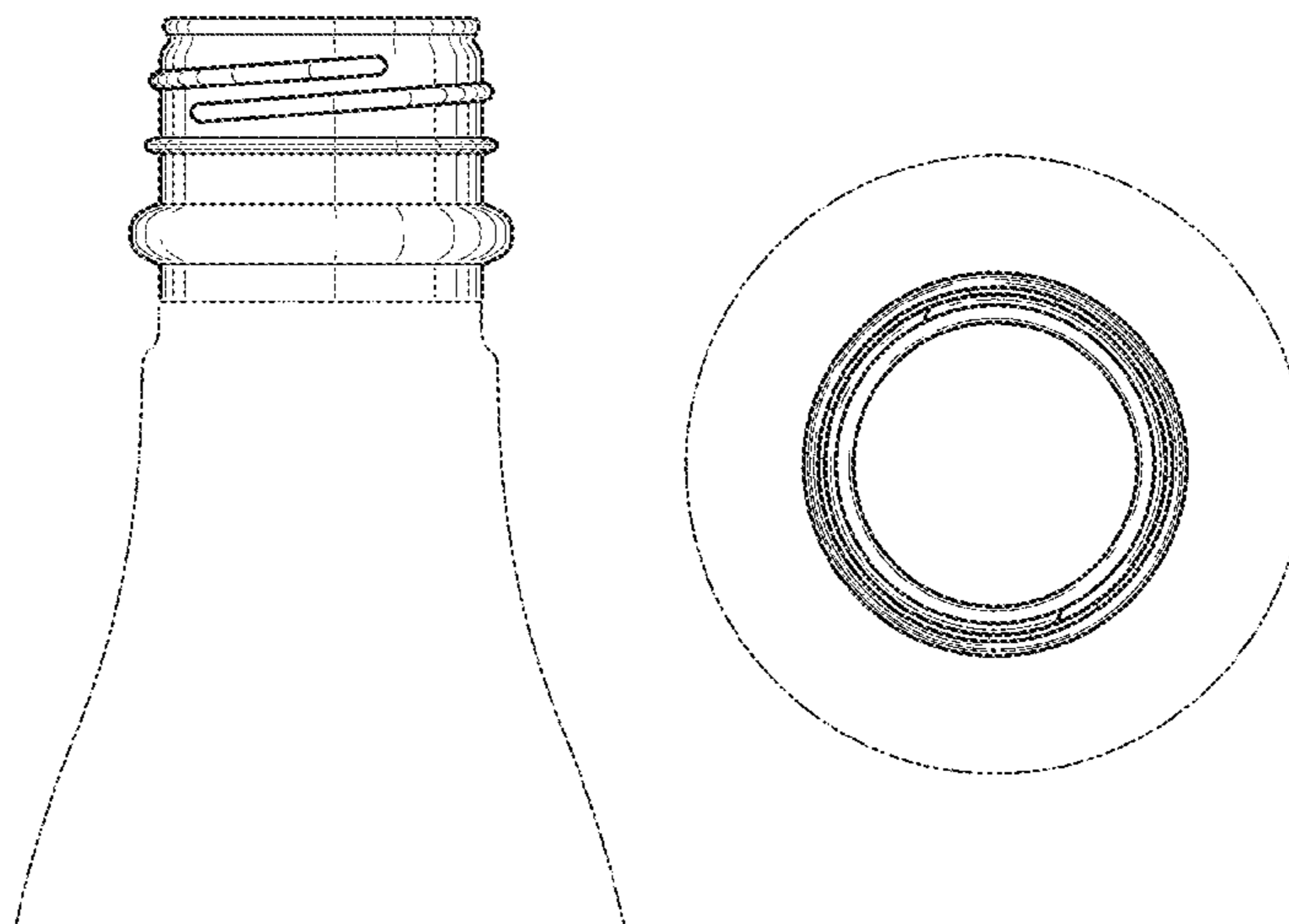
(57) **CLAIM**

We claim the ornamental design for a bottle neck, as shown and described.

DESCRIPTION

FIG. 1 is a perspective view of a bottle neck according to our invention;
 FIG. 2 is a left side view thereof;
 FIG. 3 is a front view thereof;
 FIG. 4 is a right side view thereof;
 FIG. 5 is a rear view thereof; and,
 FIG. 6 is a top view thereof.
 The dot-dot-dash broken lines in the drawings illustrate the portions of the bottle neck that form no part of the claim. The dot-dash broken lines in the drawings define the bounds of the claim and form no part thereof.

1 Claim, 4 Drawing Sheets



(56)

References Cited

U.S. PATENT DOCUMENTS

D525,870	S	8/2006	Allen et al.	
D528,000	S	9/2006	Davis et al.	
D571,662	S *	6/2008	Clark	D9/500
D572,134	S	7/2008	Bourne	
D581,274	S	11/2008	Xanthos	
D582,774	S	12/2008	Klemm et al.	
D596,488	S	7/2009	Chupak	
D605,040	S *	12/2009	Fry	D9/500
D624,415	S	9/2010	Chupak	
7,946,436	B2	5/2011	Laveault et al.	
D639,659	S	6/2011	Biondich et al.	
D690,599	S *	10/2013	Moore	B65D 7/04 D9/516
D701,460	S	3/2014	Adams	
D745,408	S *	12/2015	Koop	D9/550
2013/0220964	A1	8/2013	Adams et al.	
2015/0027974	A1 *	1/2015	Niec	B65D 1/0207 215/44
2016/0251105	A1 *	9/2016	Robinson	B21D 51/38 215/44

* cited by examiner

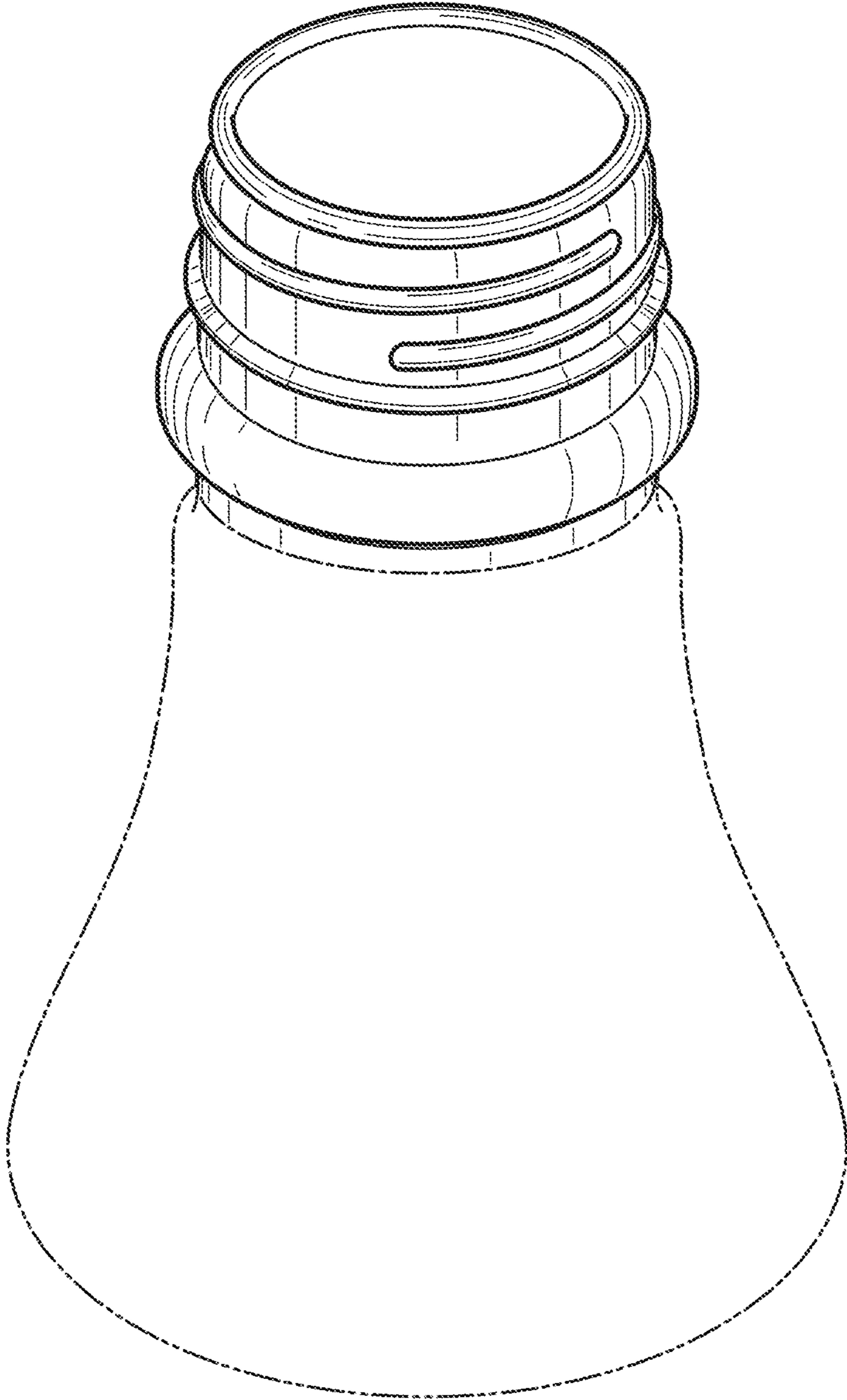


FIG. 1

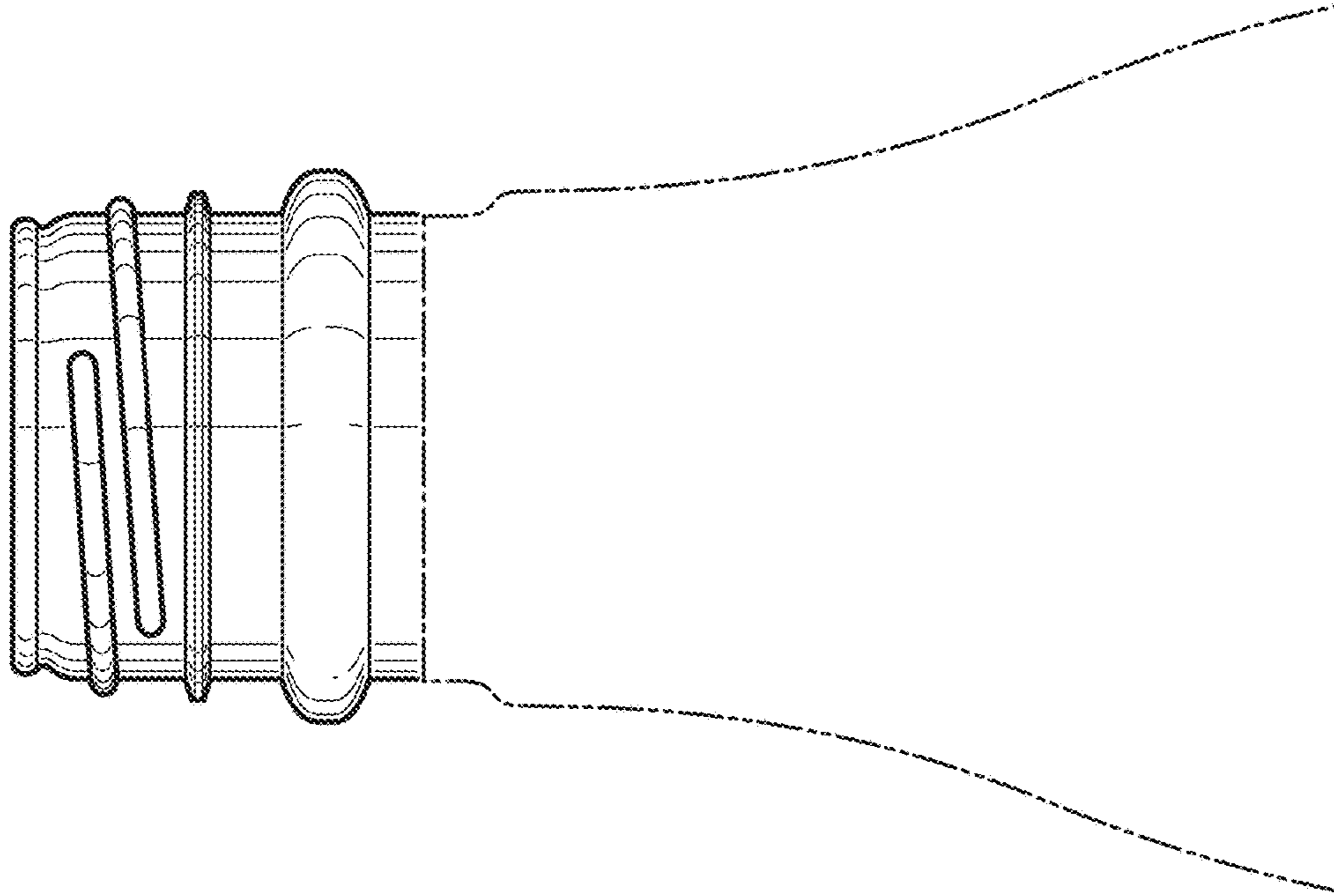


FIG. 3

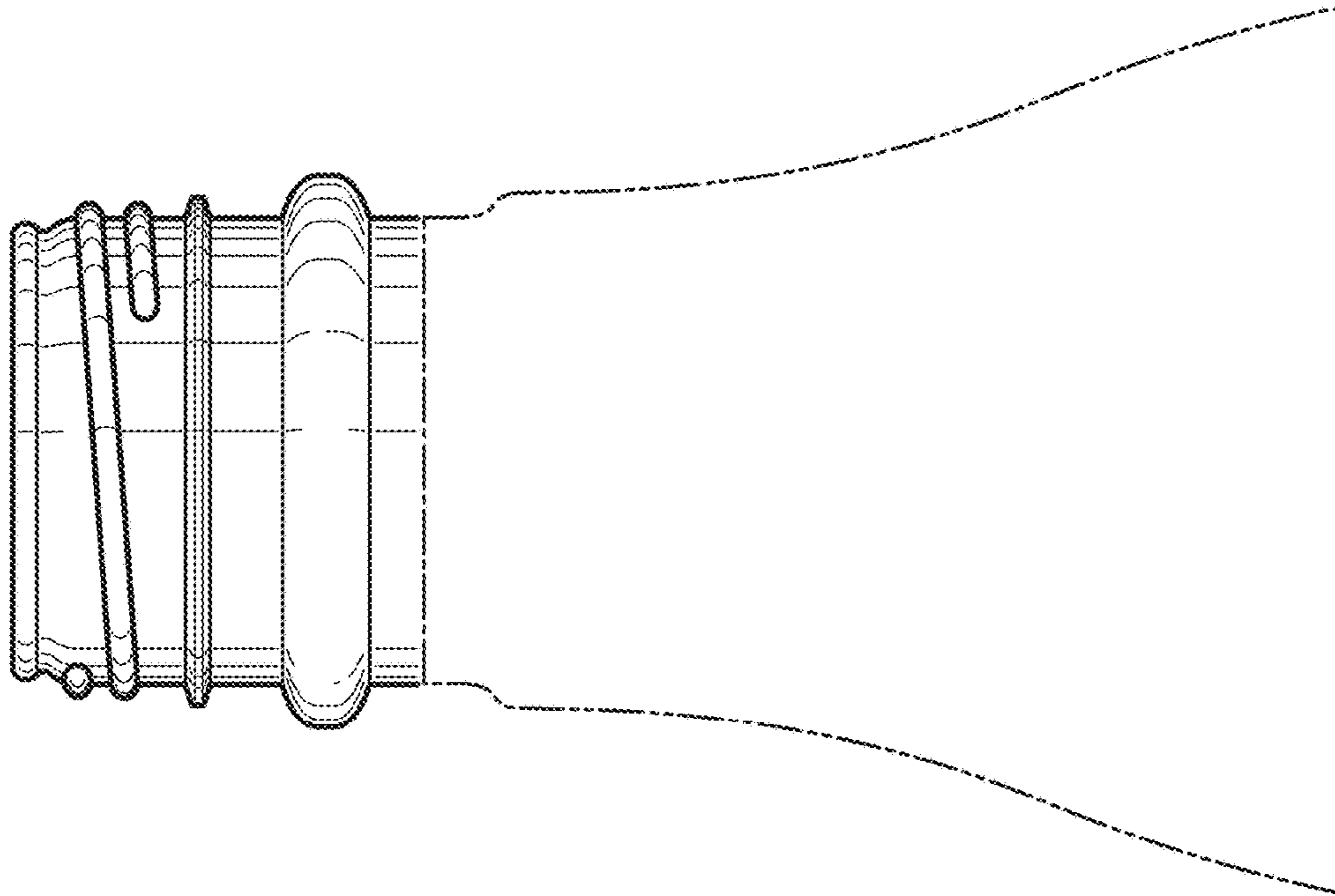


FIG. 2

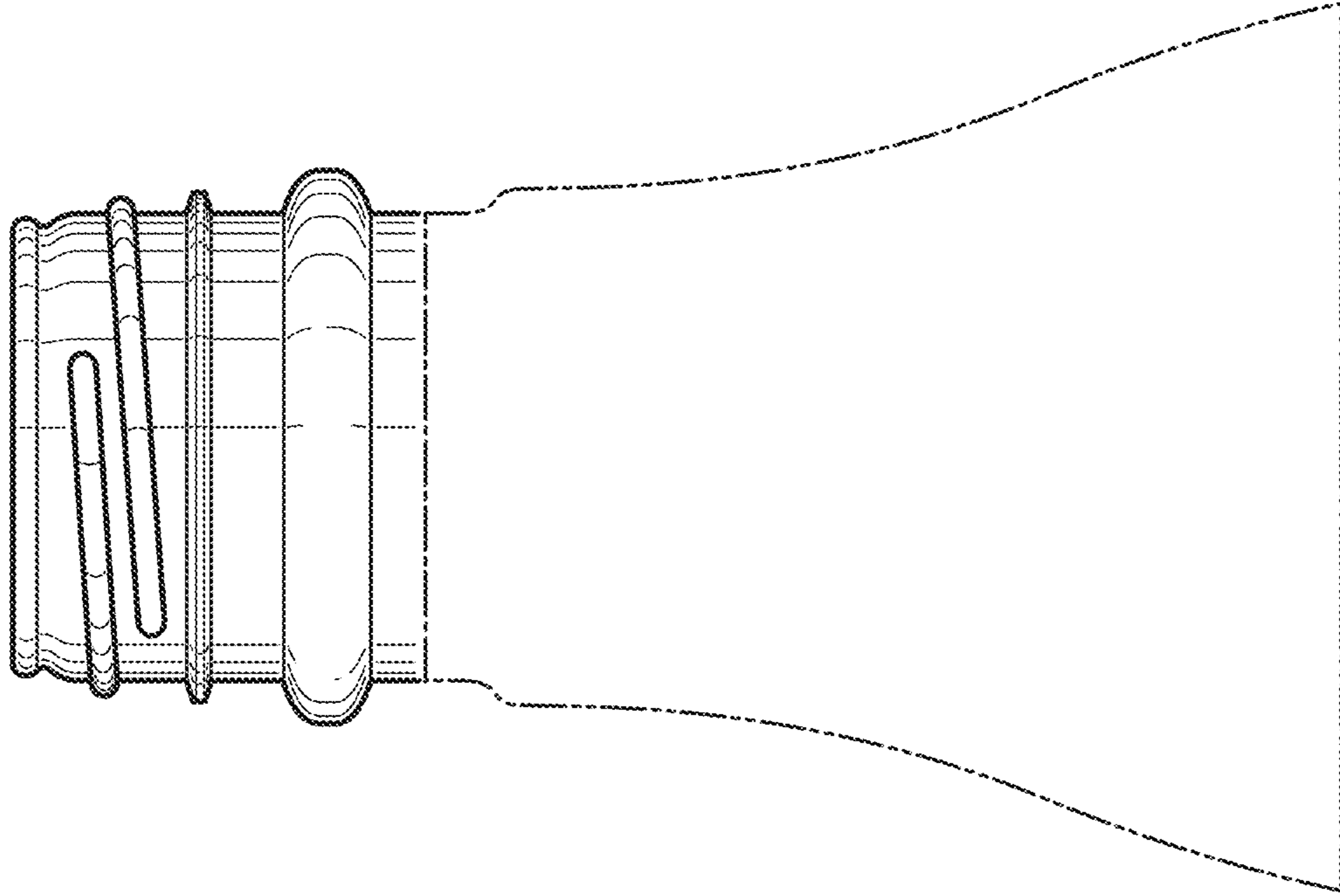


FIG. 4

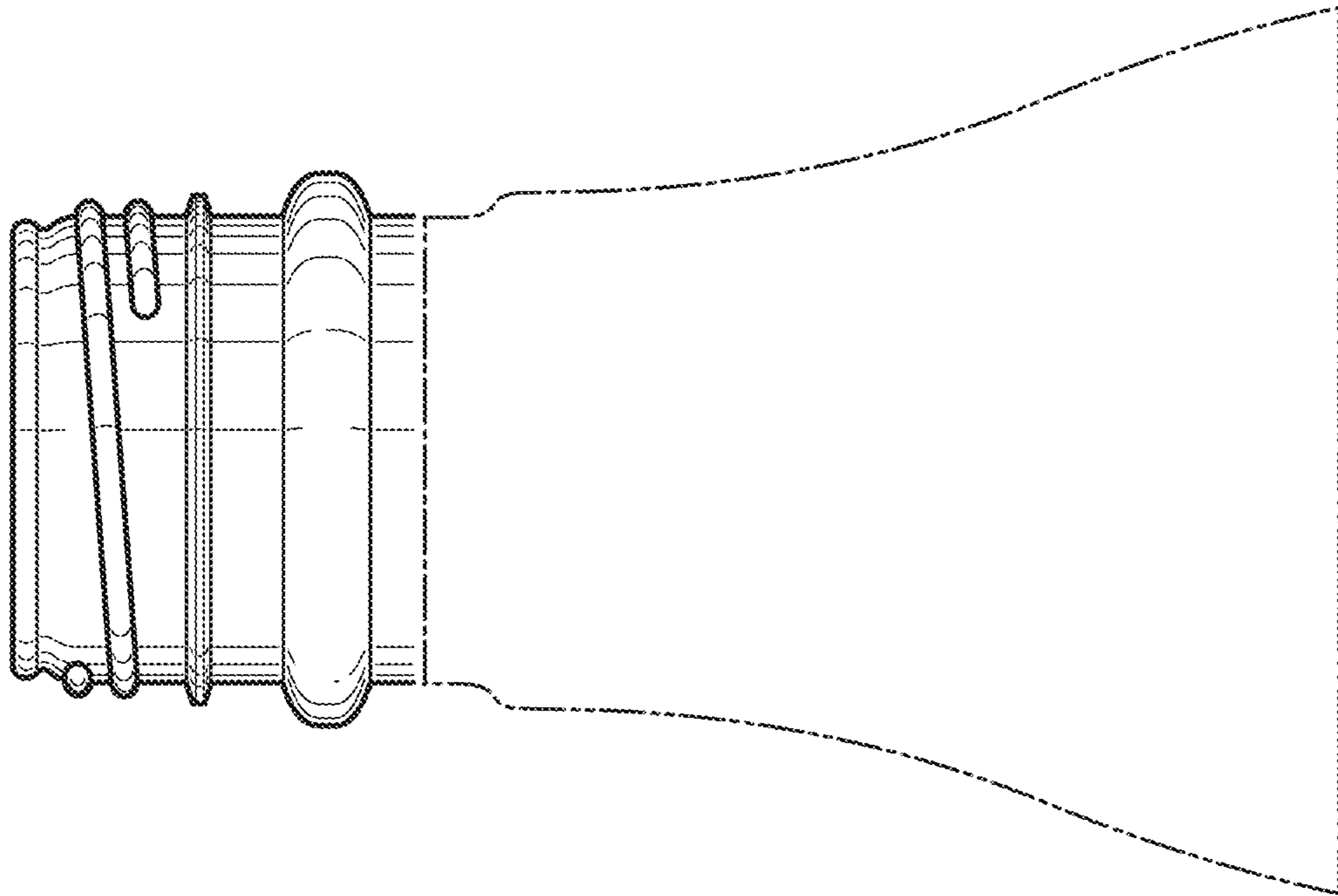


FIG. 5

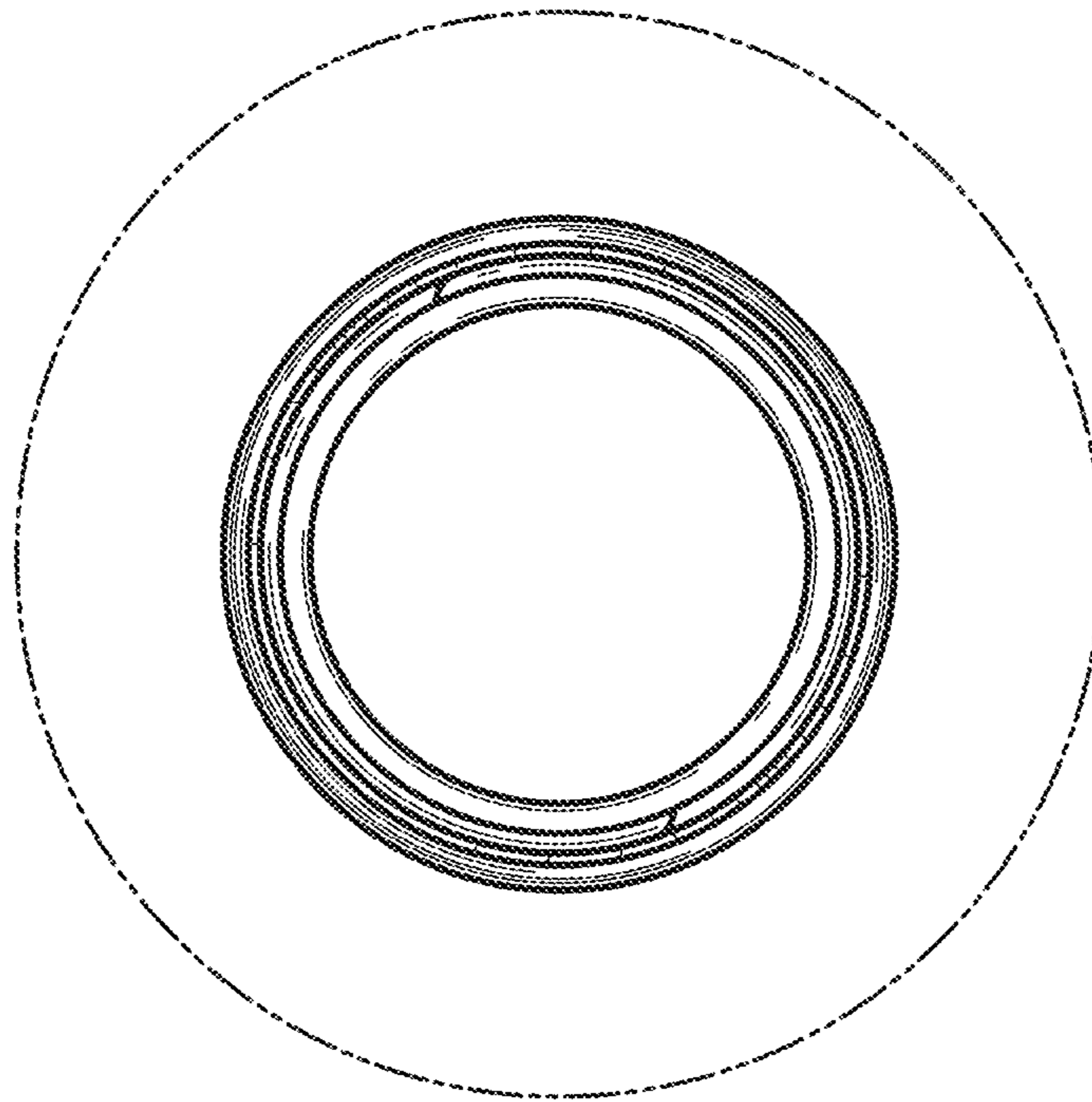


FIG. 6