



US00D808809S

(12) **United States Design Patent** (10) **Patent No.:** **US D808,809 S**  
**Krafft** (45) **Date of Patent:** **\*\* Jan. 30, 2018**

(54) **CONTAINER**  
(71) Applicant: **Lyd LLC**, Santa Clara, CA (US)  
(72) Inventor: **Fredrik Krafft**, Santa Clara, CA (US)  
(73) Assignee: **Fredrik Krafft**, Marina del Rey, CA (US)  
(\*\*) Term: **15 Years**  
(21) Appl. No.: **29/562,618**  
(22) Filed: **Apr. 27, 2016**  
(51) **LOC (11) Cl.** ..... **09-01**  
(52) **U.S. Cl.**  
USPC ..... **D9/504**; D9/549; D9/453  
(58) **Field of Classification Search**  
USPC ..... D9/434–435, 439, 447, 453, 448, 454, D9/500–505, 516, 520, 529–530, D9/537–542, 544–546, 549–550, 553, D9/556–558, 566, 574–575, 682, D9/685–692, 715, 719, 724, 763–783; D7/300, 300.1, 598, 509–511, 619.1, D7/619.2, 307, 308, 314, 315; D24/197, D24/216–226; 215/378–379, 381–385, 215/370–371; 220/660, 662, 669–674, 220/675  
CPC ... B65D 1/00; B65D 1/02; B65D 1/12; B65D 1/14; B65D 1/16; B65D 1/40; B65D 1/44; B65D 1/023; B65D 1/0223; B65D 1/0233; B65D 1/165; B65D 1/238; B65D 1/246; B65D 1/253; B65D 23/00; B65D 83/00; B65D 2501/00; B65D 2501/0009; B65D 2501/0081; B65D 7/04; B65D 81/00  
See application file for complete search history.

D344,017 S \* 2/1994 Lang ..... D9/504  
D359,910 S \* 7/1995 Hirsch ..... D9/503  
D379,585 S \* 6/1997 Wright ..... D9/690  
(Continued)

**OTHER PUBLICATIONS**

Lyd has seen the light, posted at linkedin.com, posted Apr. 30, 2016, © 2017 linkedin [online], [site visited Sep. 19, 2017]. Available from Internet, <URL:https://www.linkedin.com/pulse/lyd-has-seen-light-fredrik-krafft?articleId=6132077220295880704#comments-6132077220295880704&trk=prof-post.\*>  
(Continued)

*Primary Examiner* — Anhdao Doan  
*Assistant Examiner* — Mary Malley  
(74) *Attorney, Agent, or Firm* — K&L Gates LLP

(57) **CLAIM**

The ornamental design for a container, as shown and described.

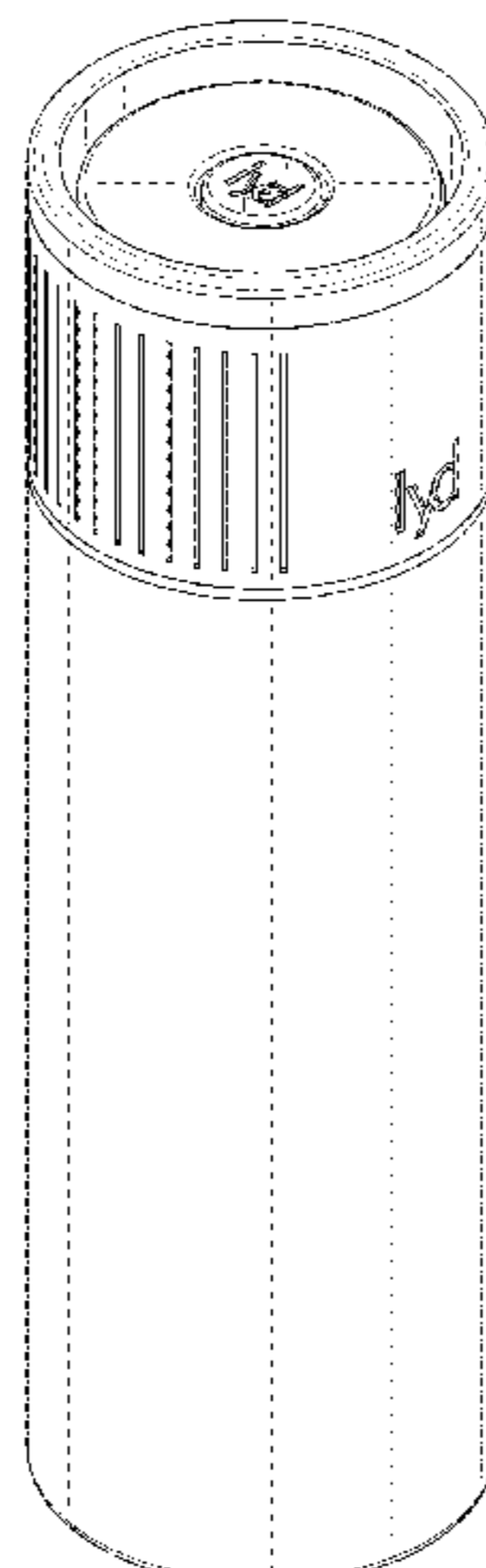
**DESCRIPTION**

FIG. 1 illustrates a perspective view of a first embodiment of a container;  
FIG. 2 illustrates a front elevation view thereof;  
FIG. 3 illustrates a back elevation view thereof;  
FIG. 4 illustrates a side elevation view thereof;  
FIG. 5 illustrates a side elevation view thereof;  
FIG. 6 illustrates a top plan view thereof; and  
FIG. 7 illustrates a bottom plan view thereof;  
FIG. 8 illustrates a perspective view of a second embodiment of a container;  
FIG. 9 illustrates a front elevation view thereof;  
FIG. 10 illustrates a back elevation view thereof;  
FIG. 11 illustrates a side elevation view thereof;  
FIG. 12 illustrates a side elevation view thereof;  
FIG. 13 illustrates a top plan view thereof; and  
FIG. 14 illustrates a bottom plan view thereof.  
The broken lines show portions of the container that form no part of the claimed design.

(56) **References Cited**  
U.S. PATENT DOCUMENTS

3,848,778 A \* 11/1974 Meshberg ..... B65D 83/205  
222/402.11  
D337,254 S \* 7/1993 Nakagawa ..... D9/435

**1 Claim, 14 Drawing Sheets**



(56)

**References Cited**

U.S. PATENT DOCUMENTS

D534,802 S \* 1/2007 German ..... D9/453  
D591,598 S \* 5/2009 Caroen ..... D9/516  
D601,898 S \* 10/2009 Ikeda ..... D9/503  
8,197,152 B2 \* 6/2012 Wu ..... A45D 34/04  
401/216  
D686,077 S \* 7/2013 Stull, Sr. .... D9/447  
D709,374 S \* 7/2014 Wilcox ..... D9/453  
D720,222 S \* 12/2014 Laureano ..... D9/453  
D731,244 S \* 6/2015 Kohl ..... D7/510

OTHER PUBLICATIONS

Lyd, posted at lydbottle.com, not able to verify posting date, © 2017  
Lyd LLC, [online], [site visited Sep. 19, 2017]. Available from  
Internet, <URL: <https://www.lydbottle.com/shop>.\*

\* cited by examiner

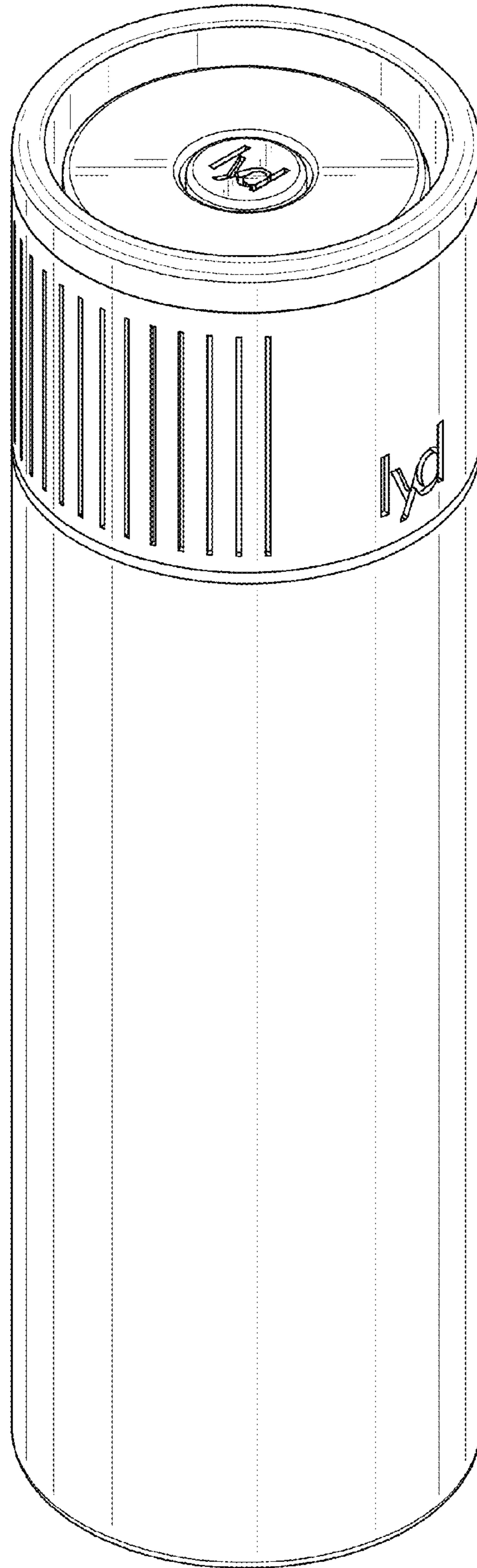


FIG. 1

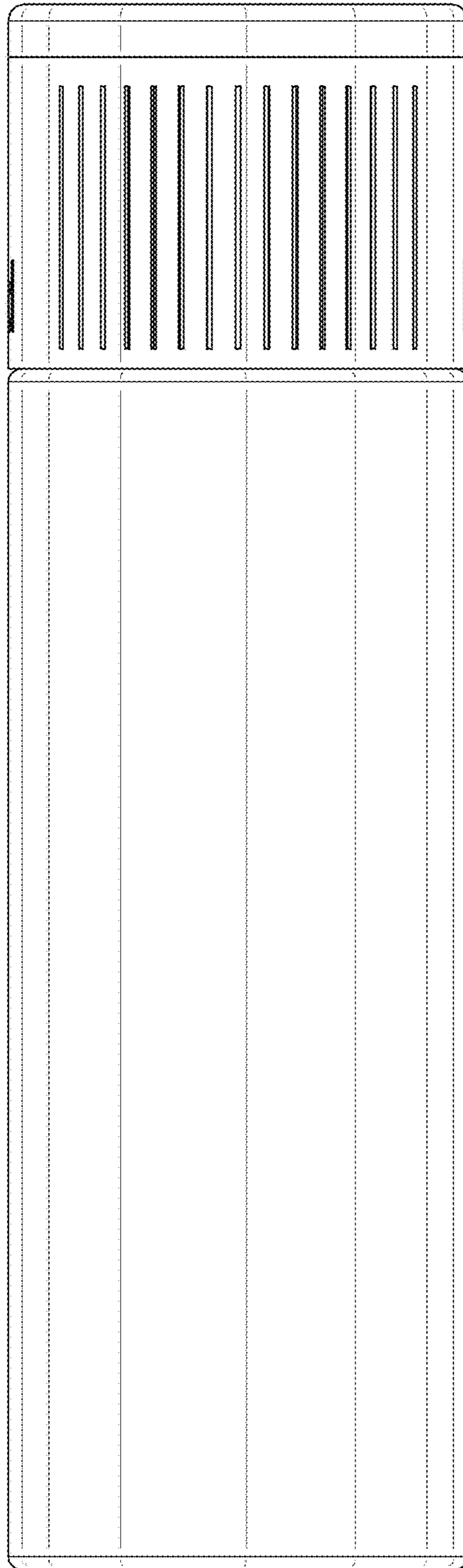


FIG. 2

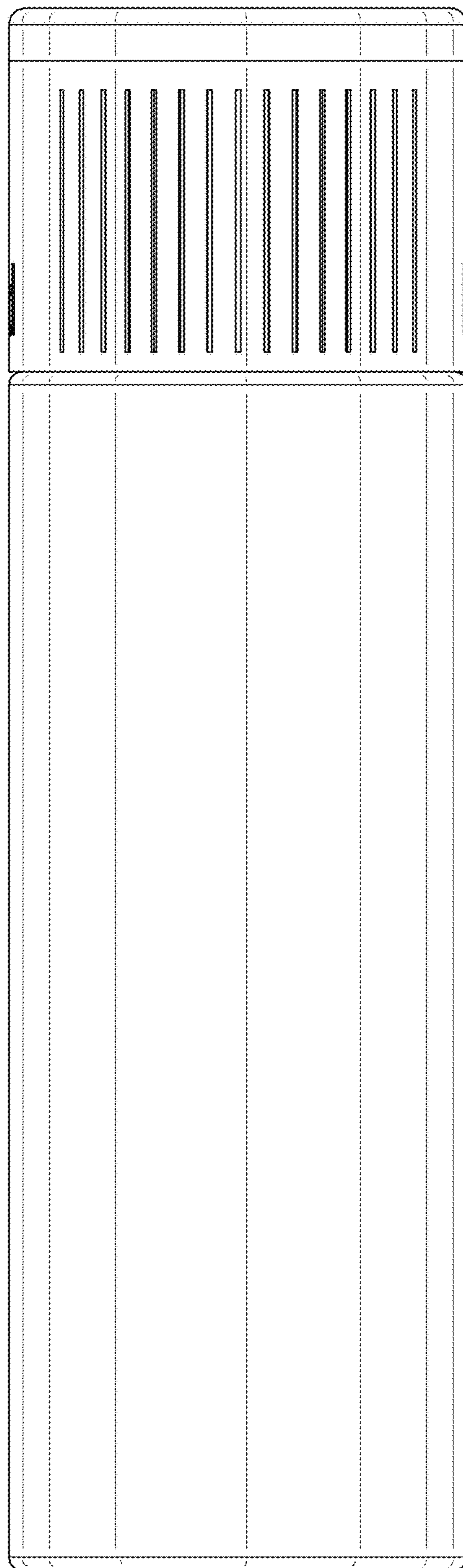


FIG. 3

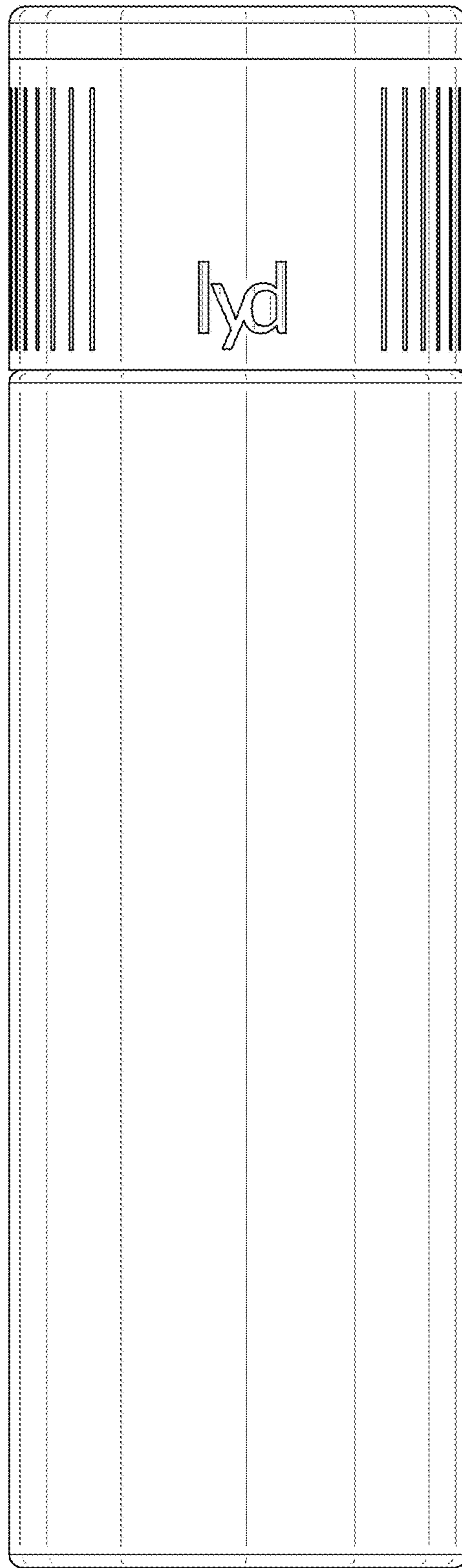


FIG. 4

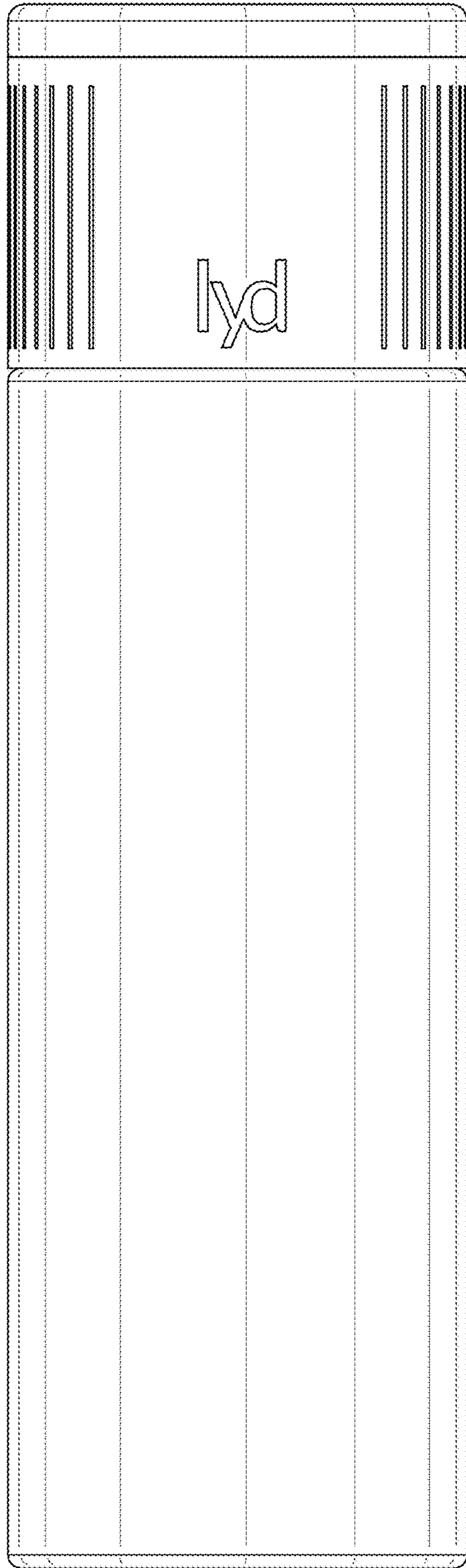


FIG. 5

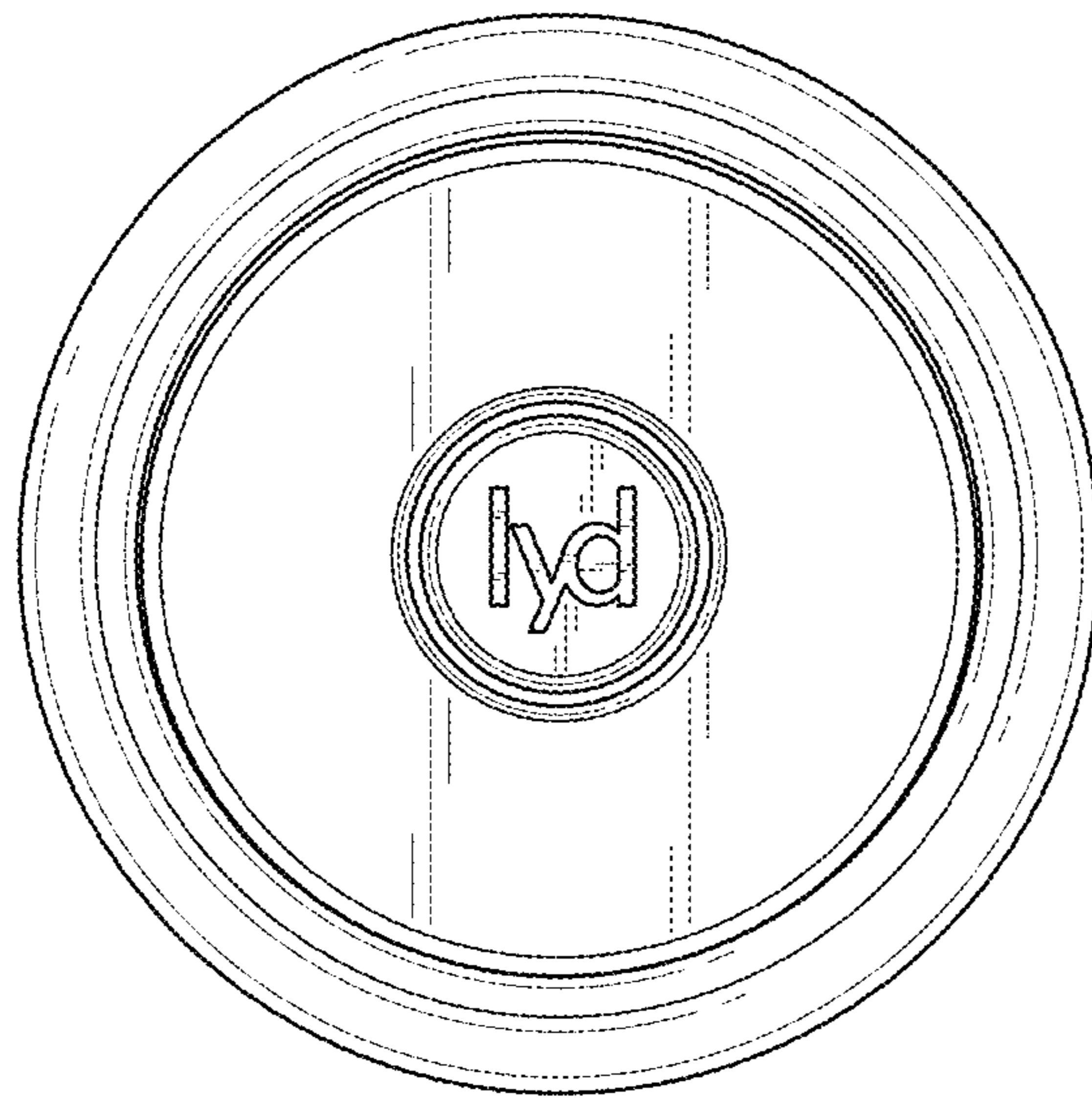


FIG. 6



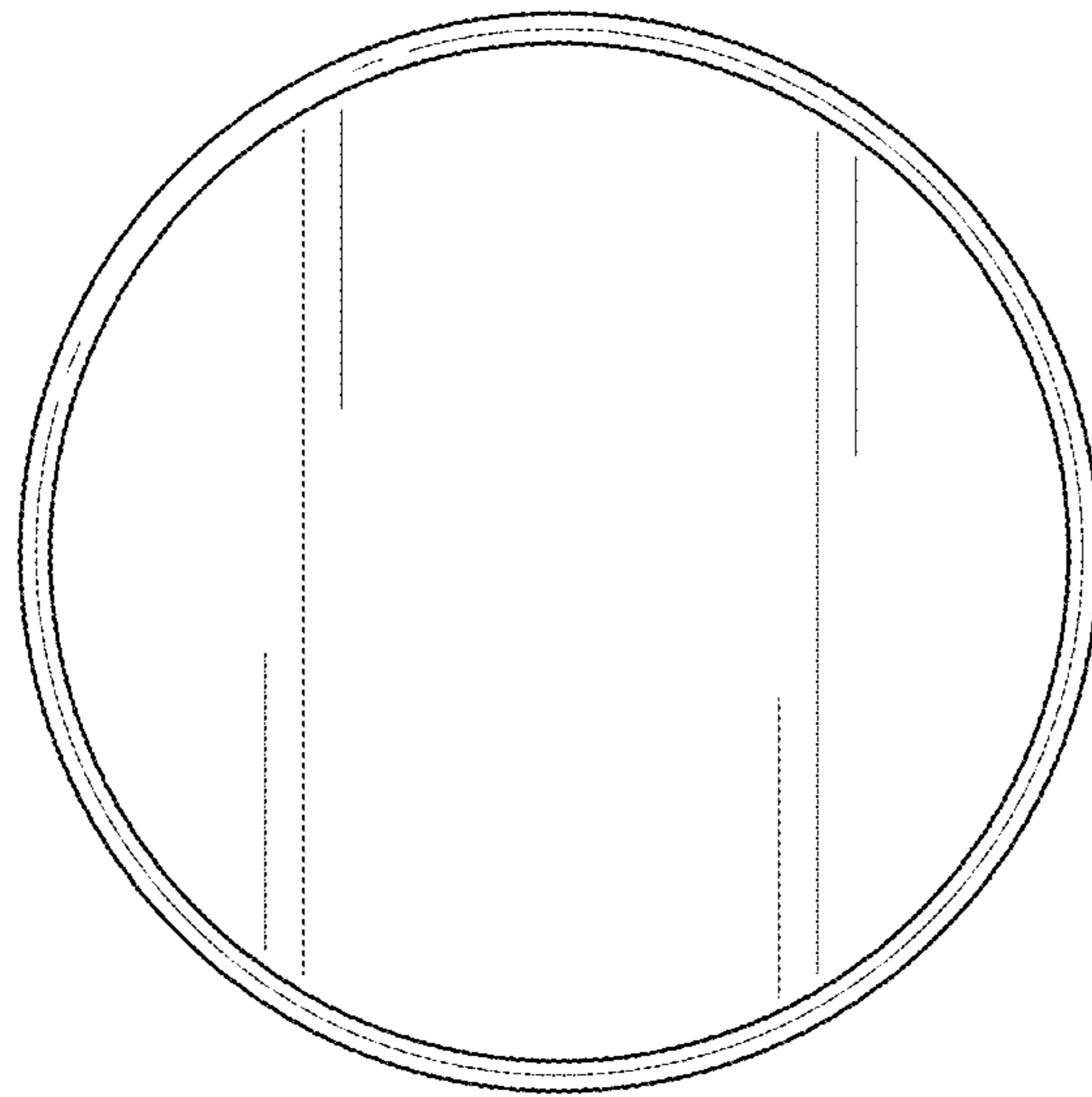


FIG. 7

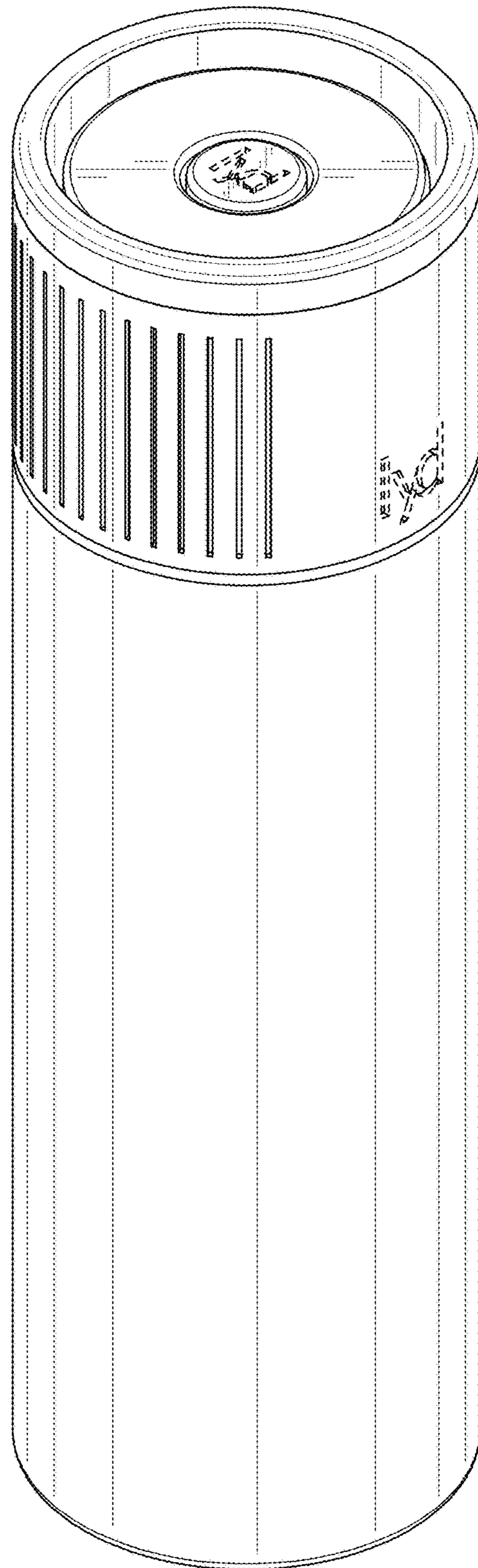


FIG. 8

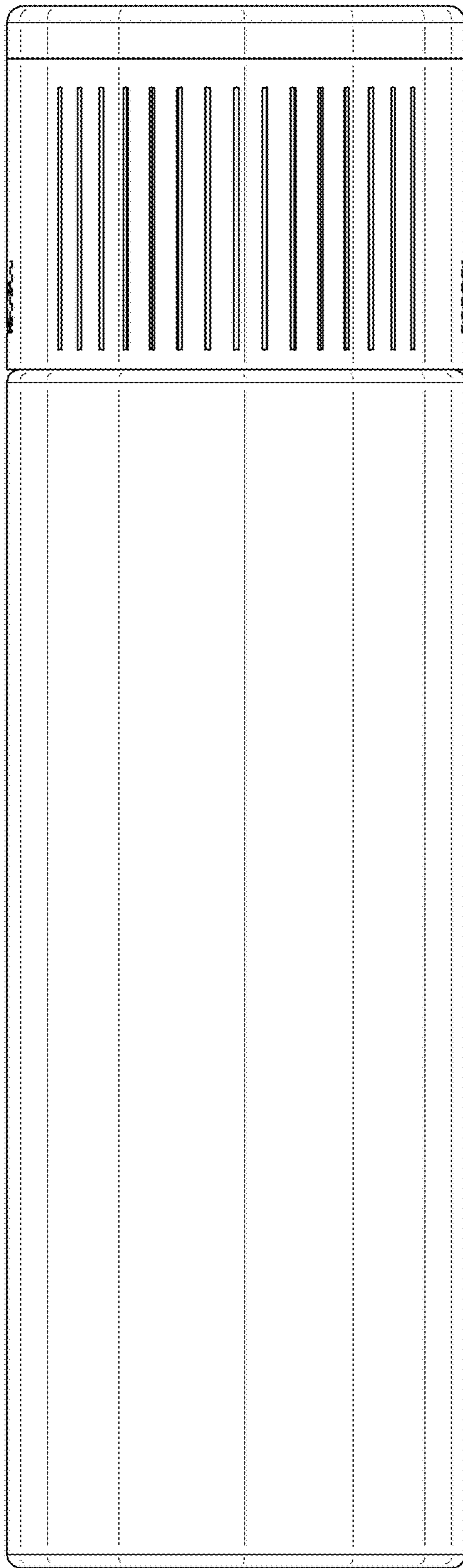


FIG. 9

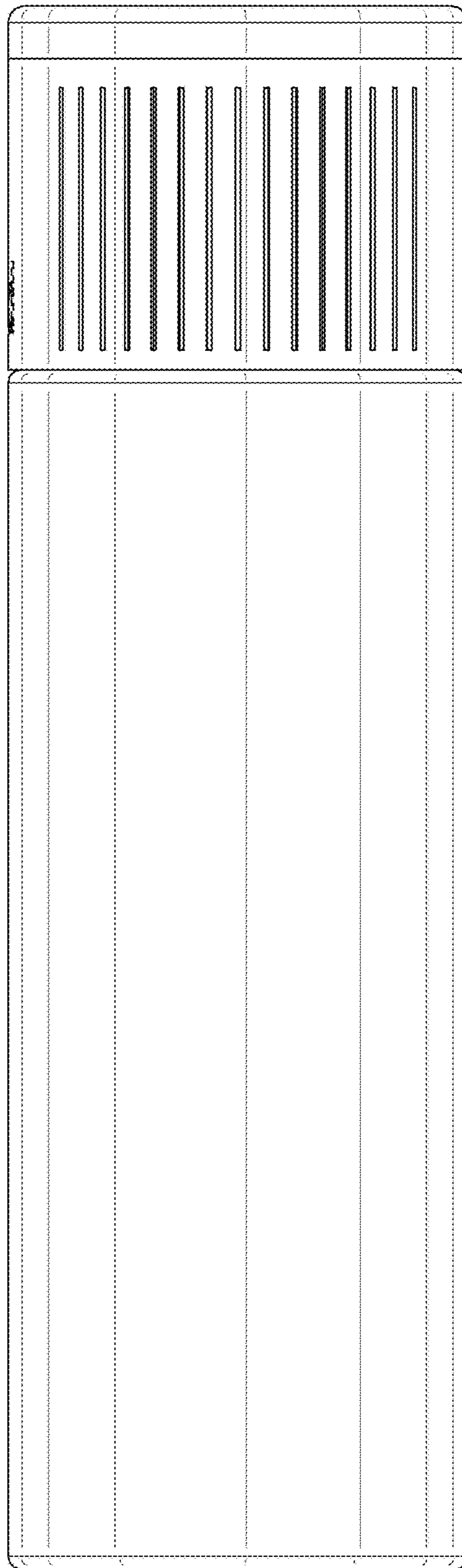


FIG. 10

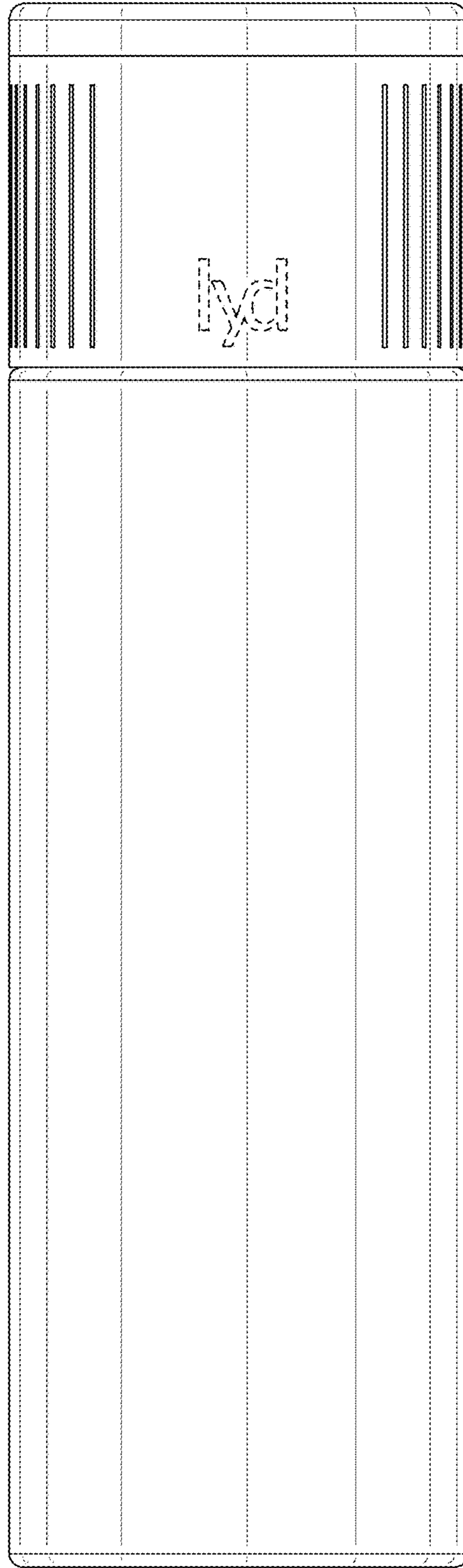


FIG. 11

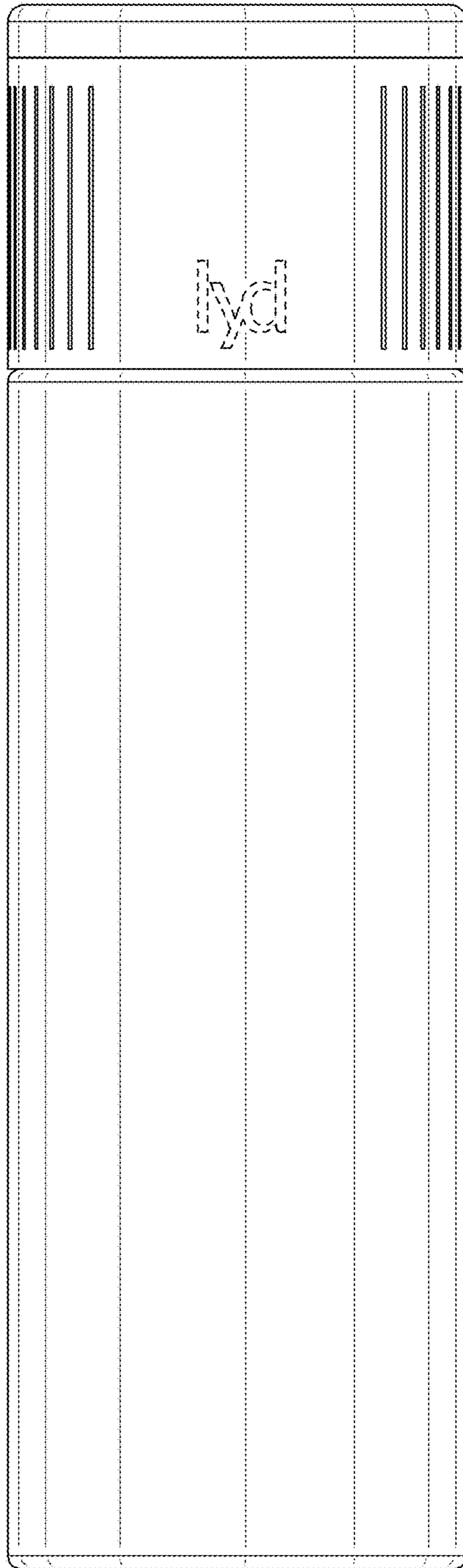


FIG. 12

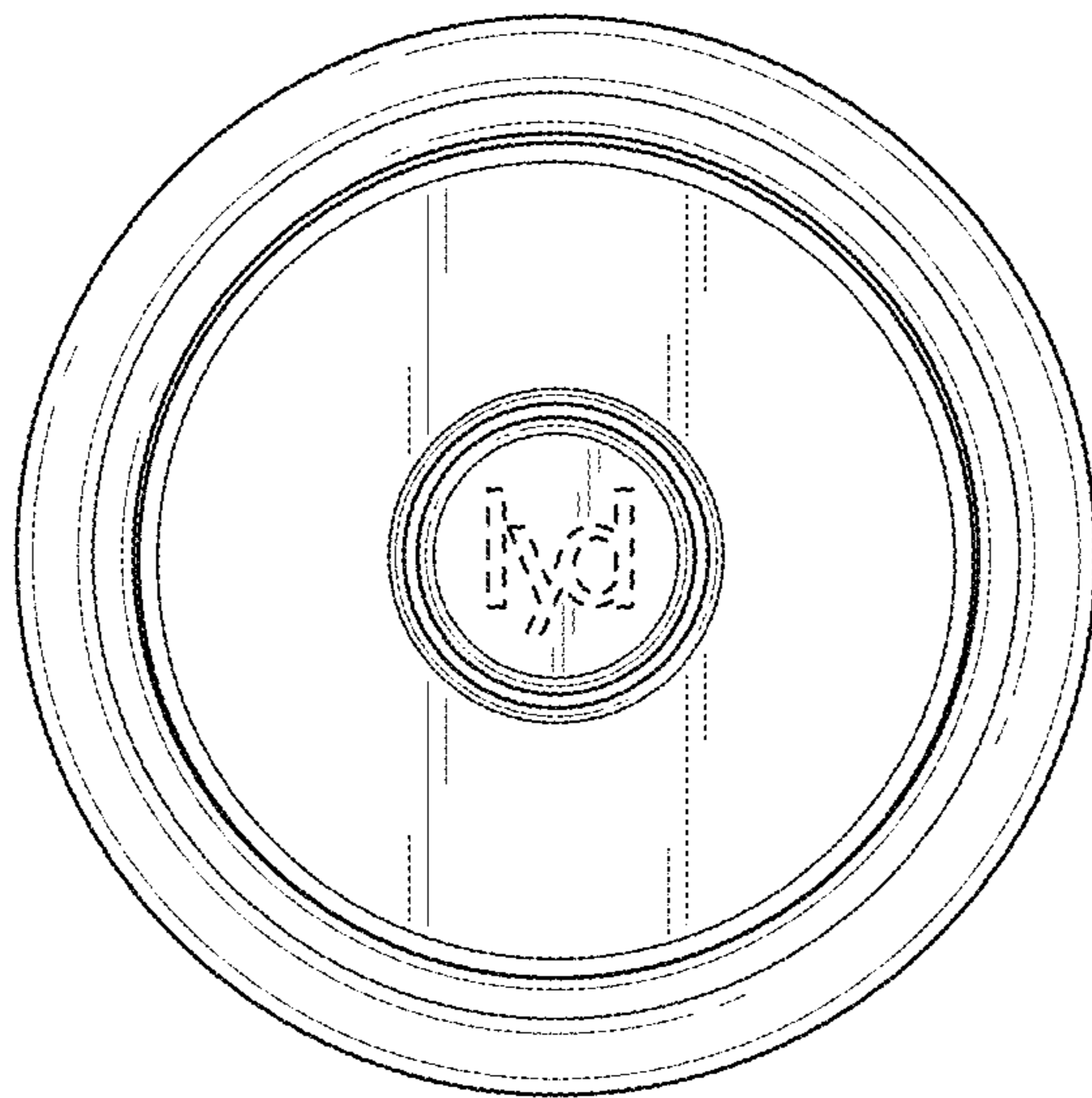


FIG. 13

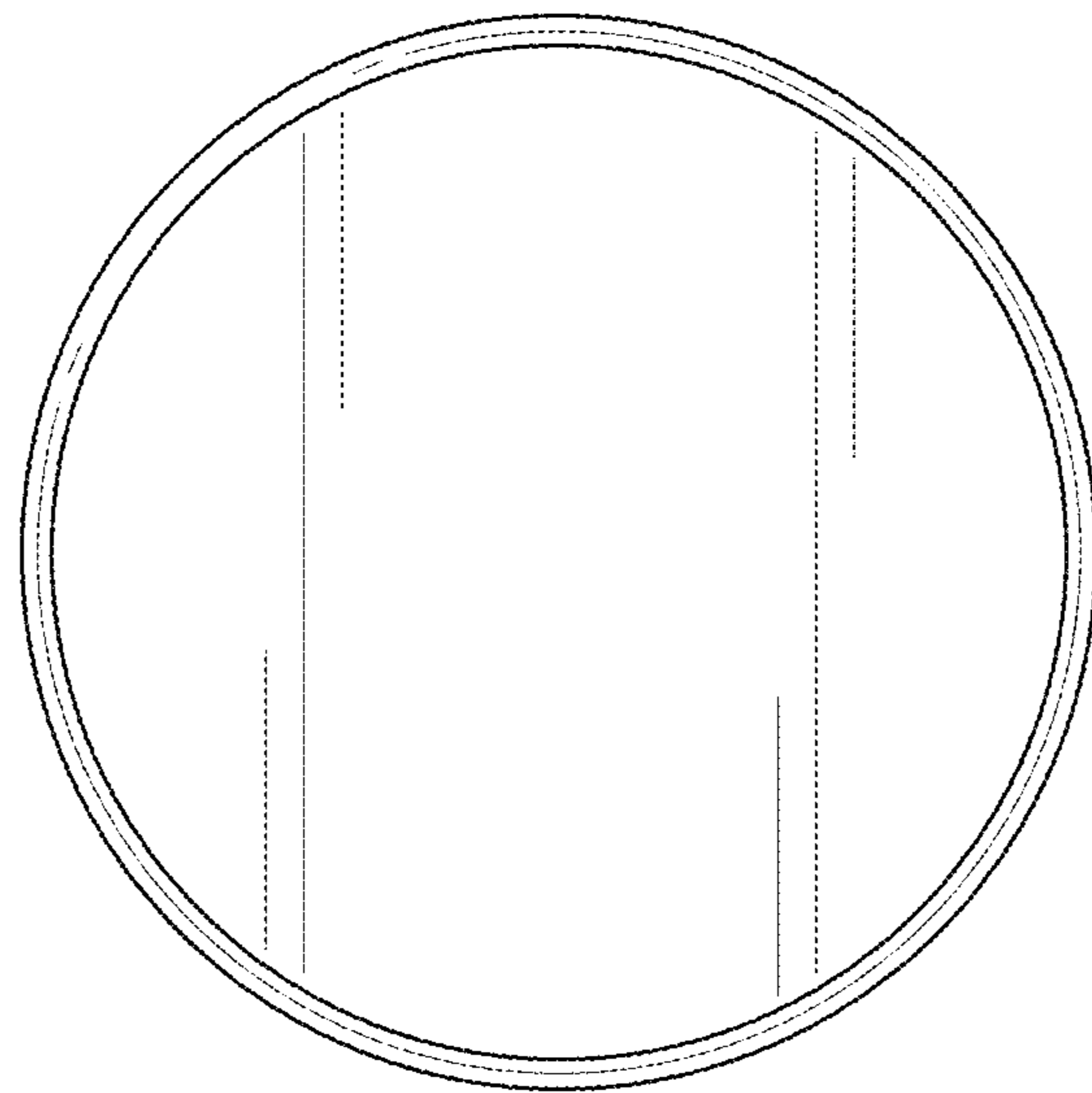


FIG. 14