



US00D808807S

(12) **United States Design Patent**
Steward

(10) **Patent No.:** **US D808,807 S**
(45) **Date of Patent:** **** Jan. 30, 2018**

(54) **BOTTLE**

(71) Applicant: **The Coca-Cola Company**, Atlanta, GA (US)

(72) Inventor: **Sterling Lane Steward**, Douglasville, GA (US)

(73) Assignee: **The Coca-Cola Company**, Atlanta, GA (US)

(**) Term: **15 Years**

(21) Appl. No.: **29/534,790**

(22) Filed: **Jul. 31, 2015**

Related U.S. Application Data

(62) Division of application No. 29/498,340, filed on Aug. 1, 2014, now Pat. No. Des. 792,229.

(51) **LOC (11) Cl.** **09-01**

(52) **U.S. Cl.**
USPC **D9/500; D9/516**

(58) **Field of Classification Search**
USPC D9/500, 502-505, 516, 520, 530, D9/537-545, 548-550, 558, 715, 719; 215/11.1, 370-371, 375, 379, 381-384; 220/660, 669, 675
CPC B65D 1/00; B65D 1/02; B65D 1/0223; B65D 1/0284; B65D 23/00; B65D 23/001; B65D 83/00; B65D 91/00; B65D 91/02; B65D 2501/00; B65D 2501/0009
See application file for complete search history.

(56) **References Cited**

U.S. PATENT DOCUMENTS

D86,680 S 4/1932 Mas
D104,696 S 5/1937 Mas
D166,017 S 2/1952 Barq
D179,507 S 1/1957 Barbiers
D193,032 S 6/1962 Waser

D210,571 S 3/1968 Vanderhyde
D211,509 S 6/1968 Vanderhyde
D216,627 S * 2/1970 Lawton D9/501
3,823,032 A 7/1974 Ukai
3,871,541 A 3/1975 Adomaitis
4,065,589 A 12/1977 Lenard et al.
D260,238 S 8/1981 Barrash
D286,617 S 11/1986 Goodwin et al.
D355,793 S 2/1995 Flum
D383,677 S 9/1997 Darr

(Continued)

OTHER PUBLICATIONS

“Aluminum Bottles and Coca-Cola Zero Aluminum Bottle”, Jan. 1, 2010. Online Images, Image Library, Press Center, Coca-Cola Company Website search results for “Aluminum Bottles”, 13 pages, retrieved Apr. 18, 2014. <http://www.coca-colacompany.com/search?q=Aluminum=Bottles>.

Primary Examiner — Dana L Meyrow

(74) *Attorney, Agent, or Firm* — Cynthia R. Parks; Parks IP Law LLC

(57) **CLAIM**

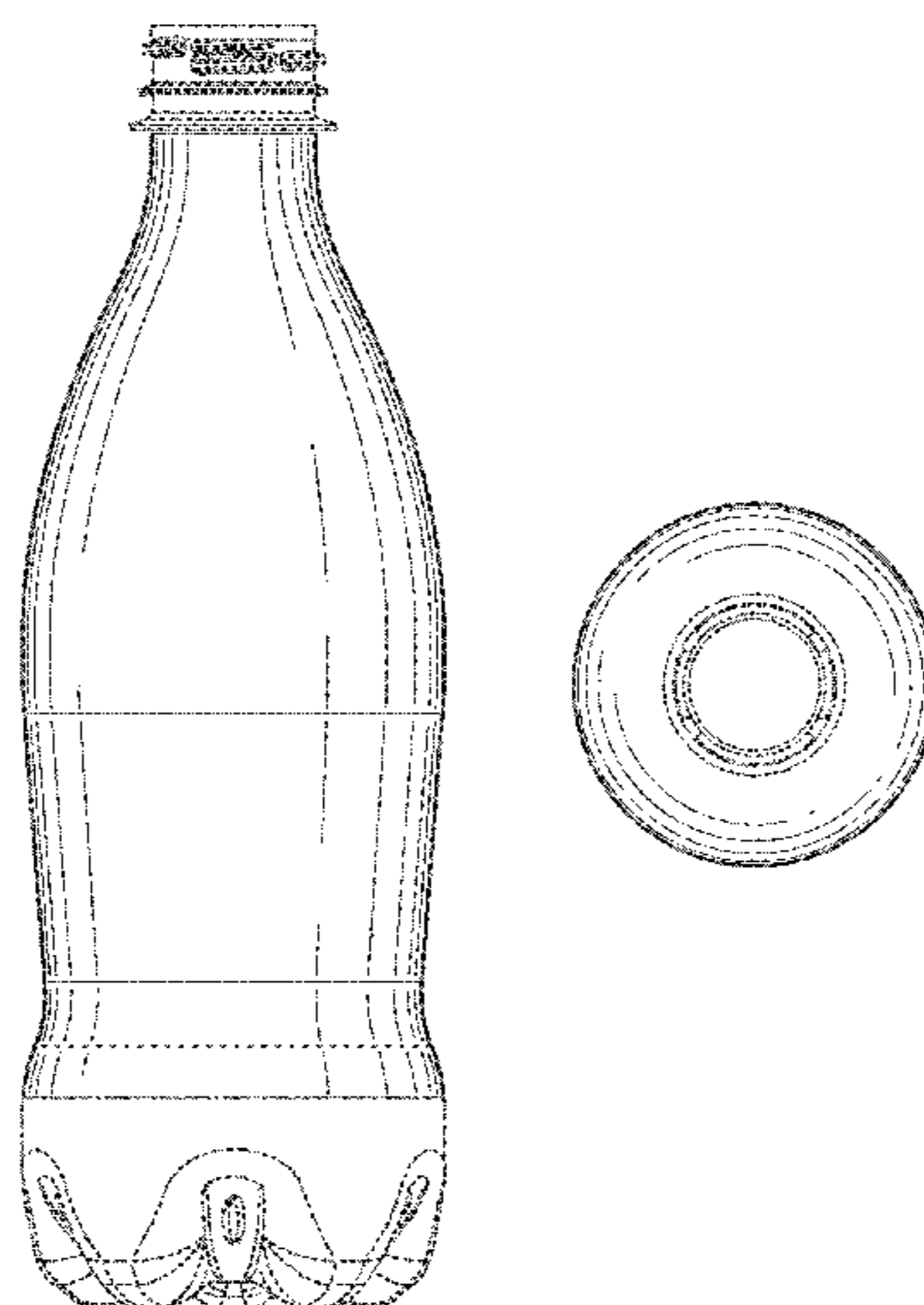
I claim the ornamental design for a bottle, as shown and described.

DESCRIPTION

FIG. 1 is a perspective view of a bottle in accordance with our new design;
FIG. 2 is a right view thereof;
FIG. 3 is a left view thereof;
FIG. 4 is a front view thereof;
FIG. 5 is a back view thereof;
FIG. 6 is a top view thereof; and,
FIG. 7 is a bottom view thereof.

The uneven-length broken lines represent unclaimed boundaries of the claimed design. The even-length broken lines illustrate the portions of the bottle that form no part of the claim.

1 Claim, 4 Drawing Sheets



(56)

References Cited

U.S. PATENT DOCUMENTS

D389,068 S 1/1998 Hooker
 5,740,934 A 4/1998 Brady
 D409,919 S 5/1999 Young
 D426,163 S 6/2000 Gnann et al.
 D427,908 S * 7/2000 Bae D9/500
 6,149,024 A 11/2000 Deemer et al.
 D443,826 S 6/2001 Gnann et al.
 6,296,471 B1 10/2001 Cheng
 6,467,620 B1 10/2002 Heckman et al.
 D525,870 S 8/2006 Allen et al.
 D528,000 S 9/2006 Davis et al.
 D536,616 S 2/2007 Rubin et al.
 D550,558 S 9/2007 Van Besien et al.
 D556,044 S 11/2007 Oki
 D561,595 S 2/2008 Le Bras-Brown et al.
 D567,663 S 4/2008 Kinmont et al.
 D571,213 S * 6/2008 Le Bras-Brown D9/500
 D572,134 S * 7/2008 Bourne D9/500
 D572,589 S 7/2008 Coulis et al.
 D576,491 S 9/2008 Oki

D577,291 S 9/2008 Kinmont et al.
 D581,274 S * 11/2008 Xanthos D9/500
 D581,802 S 12/2008 Dimmel et al.
 D582,290 S 12/2008 Dimmel et al.
 D596,488 S 7/2009 Chupak
 D624,415 S 9/2010 Chupak
 D630,513 S 1/2011 Zoppas
 D632,425 S * 2/2011 Badawi D27/162
 7,946,436 B2 5/2011 Laveault et al.
 D639,659 S 6/2011 Biondich et al.
 8,186,529 B2 5/2012 Kinmont et al.
 D677,169 S 3/2013 Roos et al.
 D696,946 S 1/2014 Hines
 D708,522 S 7/2014 Santamaria et al.
 D710,206 S 8/2014 Rajesh et al.
 D736,627 S 8/2015 Fleischhacker
 D736,630 S * 8/2015 Fleischhacker D9/500
 D739,733 S * 9/2015 Steward D9/500
 D757,550 S * 5/2016 Steward D9/500
 D791,593 S * 7/2017 Kim D9/454
 D792,229 S * 7/2017 Steward D9/500
 2013/0043255 A1 2/2013 Boukobza
 2014/0103007 A1 4/2014 Boukobza

* cited by examiner

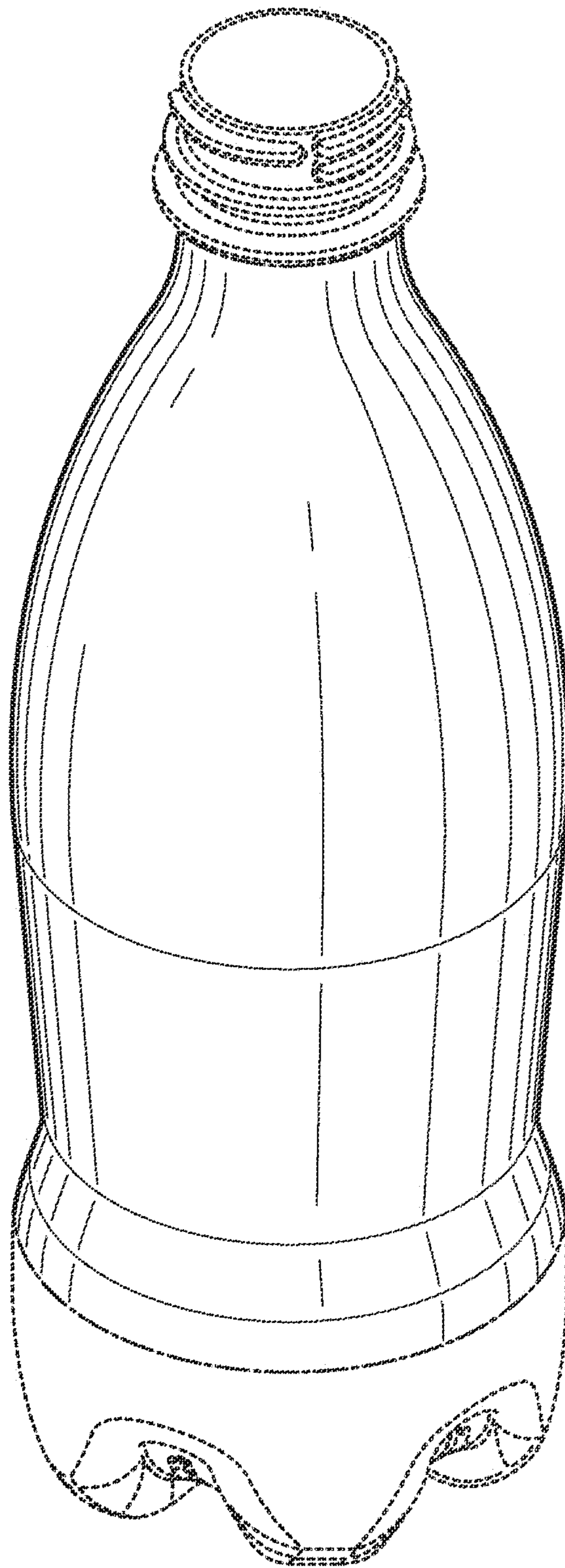


FIG. 1

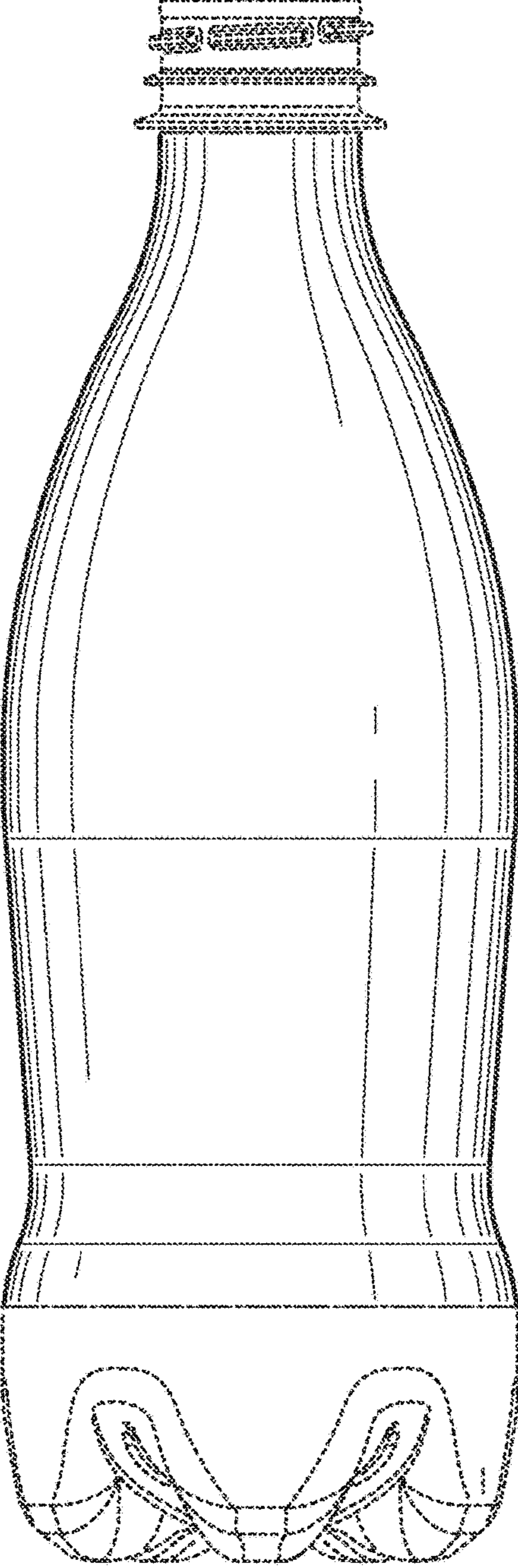


FIG. 2

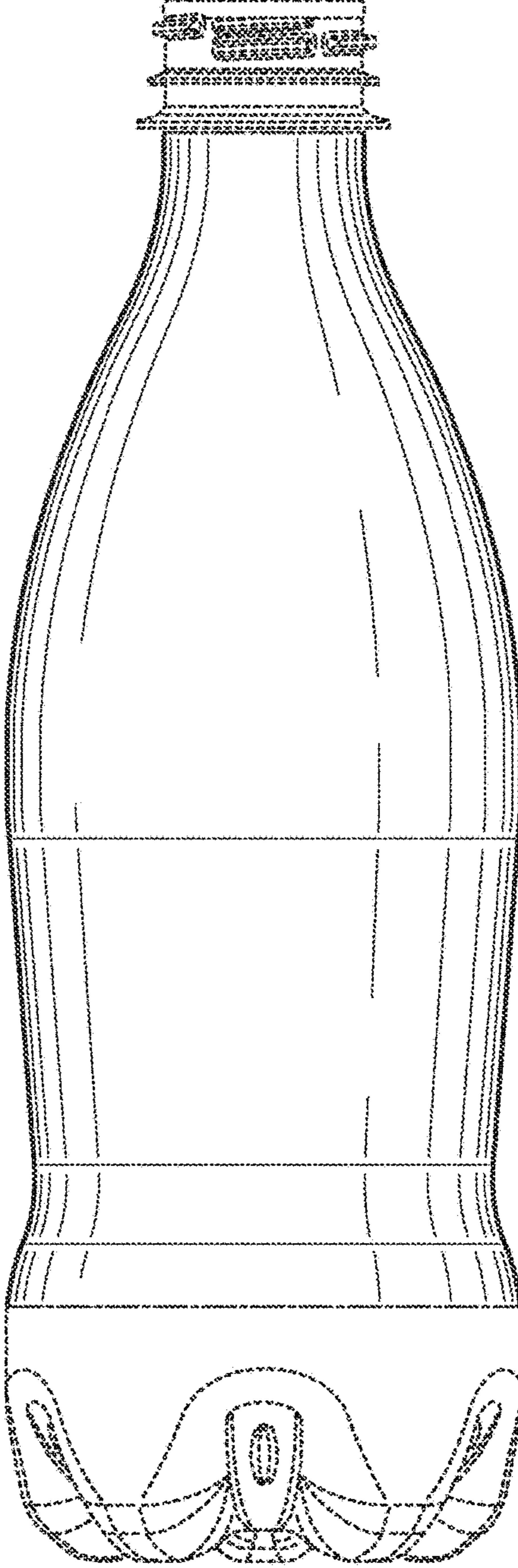


FIG. 3

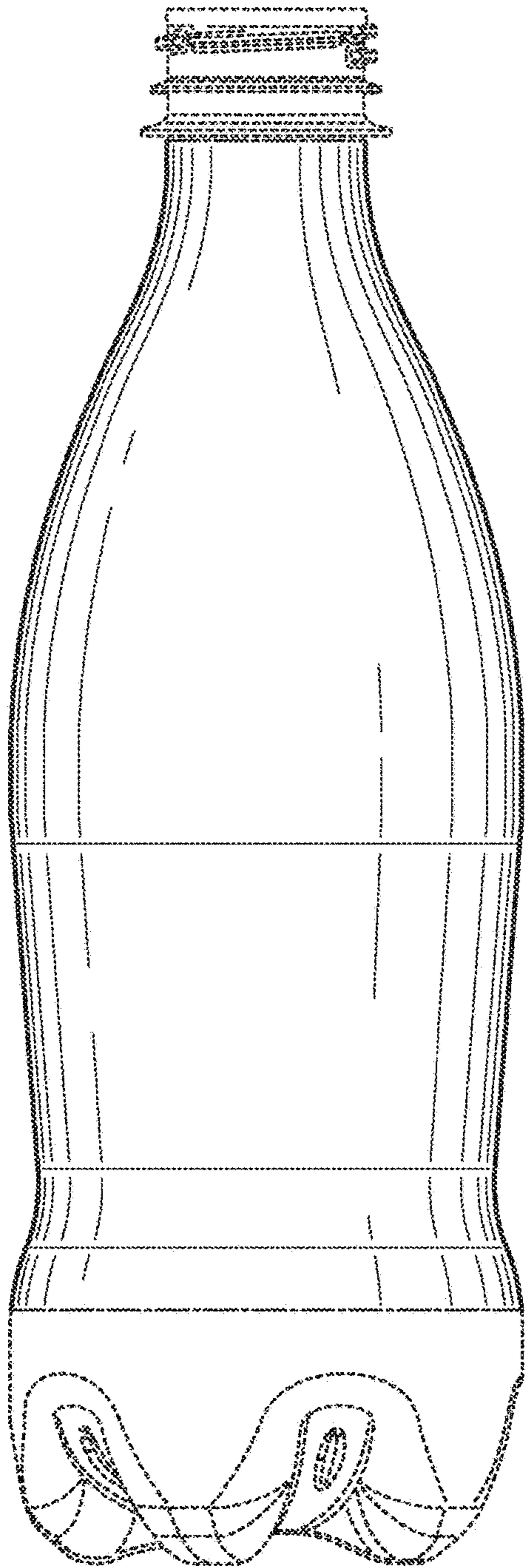


FIG. 4

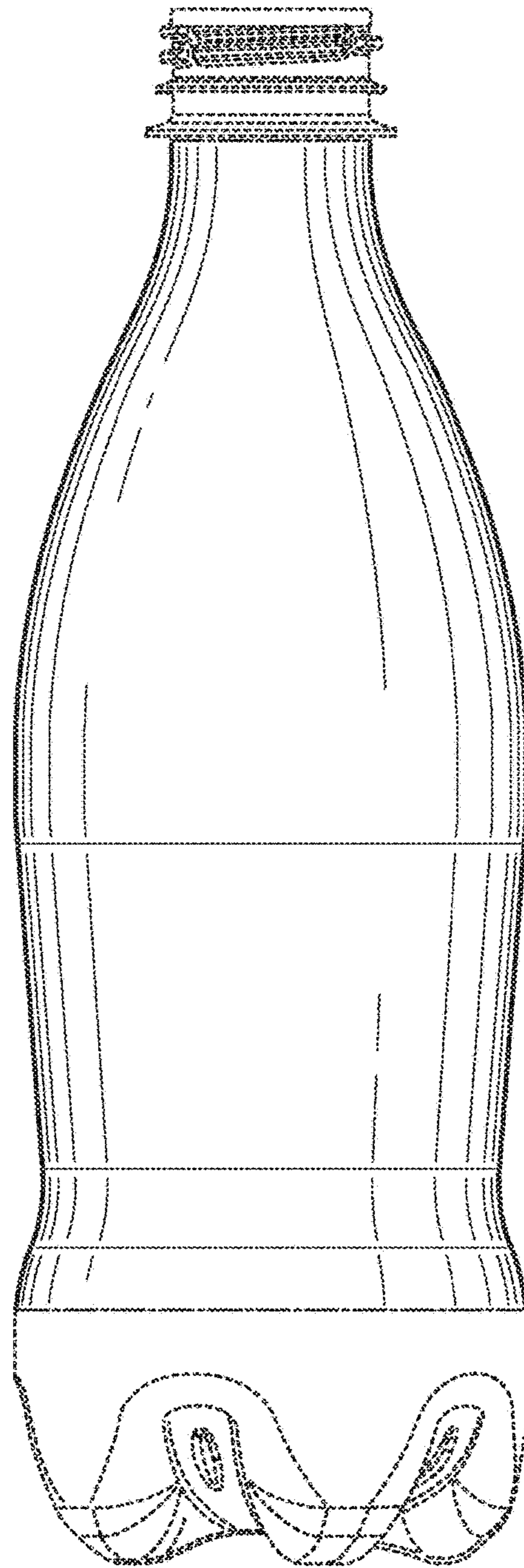


FIG. 5

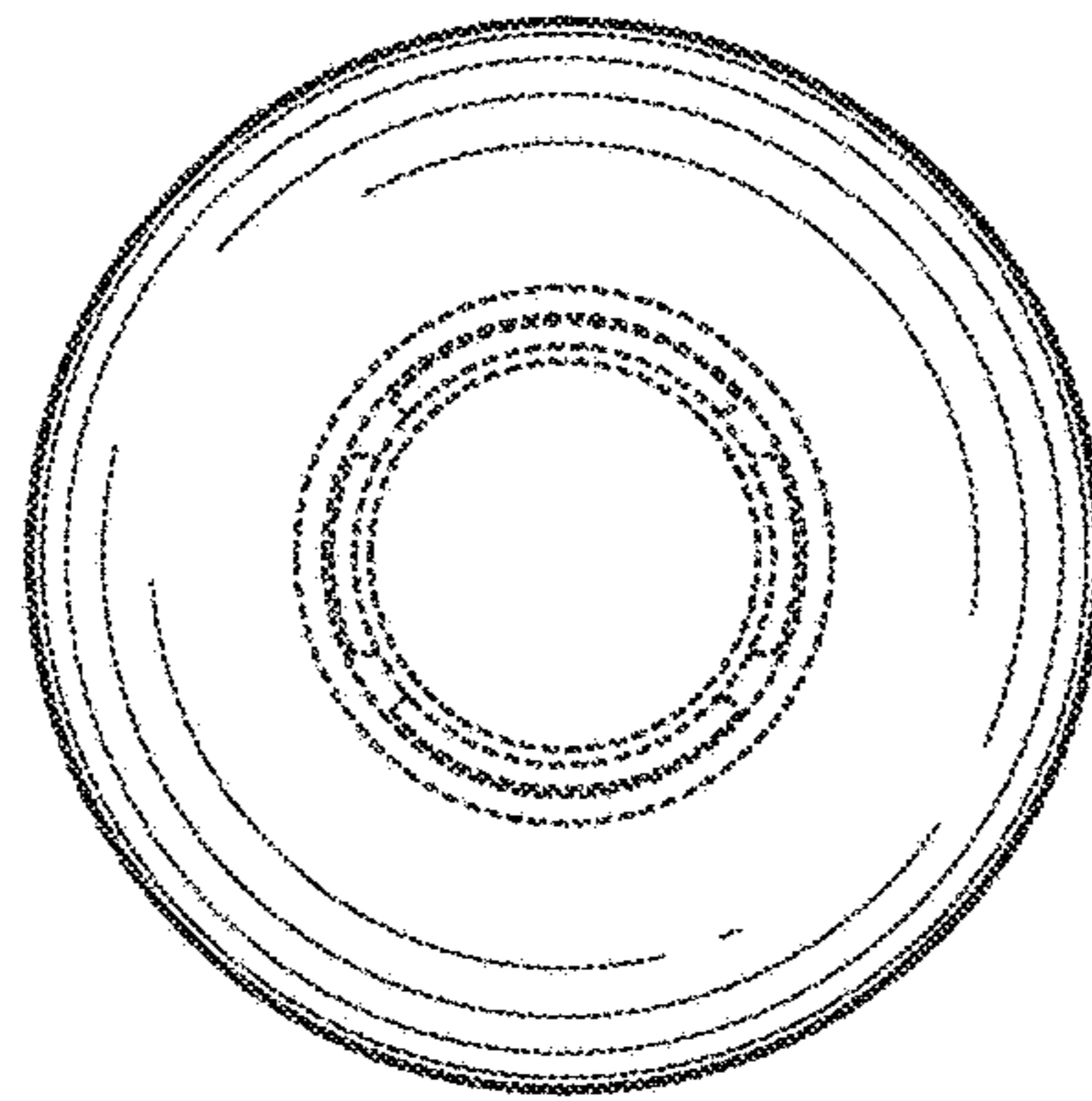


FIG. 6

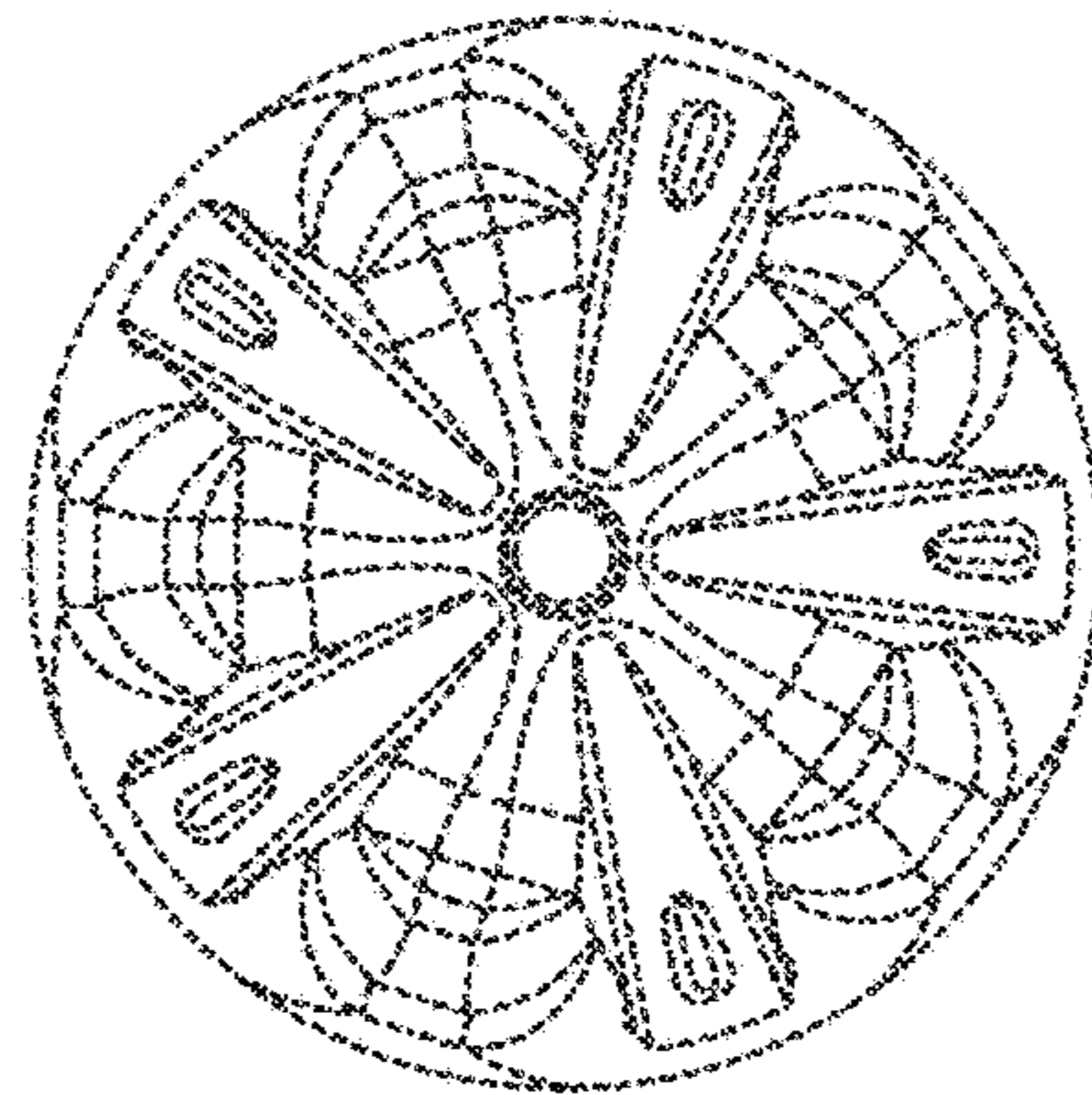


FIG. 7