



US00D808805S

(12) **United States Design Patent**
Obata

(10) **Patent No.:** **US D808,805 S**
(45) **Date of Patent:** **** Jan. 30, 2018**

(54) **CANDY FIGURINE FOR A CONTAINER**

Primary Examiner — Sandra Morris

(71) Applicant: **Mars, Incorporated**, McLean, VA (US)

(57) **CLAIM**

(72) Inventor: **Kanae Obata**, Tokyo (JP)

The ornamental design for a candy figurine for a container, as shown and described.

(73) Assignee: **Mars, Incorporated**, McLean, VA (US)

(**) Term: **15 Years**

DESCRIPTION

(21) Appl. No.: **29/560,418**

(22) Filed: **Apr. 6, 2016**

(51) **LOC (11) Cl.** **09-07**

(52) **U.S. Cl.**

USPC **D9/451**; D9/436; D9/443

(58) **Field of Classification Search**

USPC D7/392.1, 589; D9/600, 730, 414, 417,
D9/420-423, 434-454; 206/494, 457,
206/459.1, 459.2; 220/890; 215/206,
215/260, 387-400; D3/203.2-203.4;
D11/157, 160; D21/630

CPC B65D 67/00; B65D 81/36; B65D 41/00;
B65D 41/02; B65D 43/00; B65D 43/02;
B65D 5/72

See application file for complete search history.

FIG. 1 is a perspective view of a candy figurine for a container according to a first embodiment of the new design. FIG. 2 is a front elevation view of the candy figurine of FIG. 1.

FIG. 3 is a top plan view of the candy figurine of FIG. 2. FIG. 4 is a rear elevation view of the candy figurine of FIG. 2.

FIG. 5 is a bottom plan view of the candy figurine of FIG. 2.

FIG. 6 is a right side elevation view of the candy figurine of FIG. 2.

FIG. 7 is a left side elevation view of the candy figurine of FIG. 2.

FIG. 8 is a perspective view of a candy figurine for a container according to a second embodiment of the new design.

FIG. 9 is a front elevation view of the candy figurine of FIG. 8.

FIG. 10 is a top plan view of the candy figurine of FIG. 9.

FIG. 11 is a rear elevation view of the candy figurine of FIG. 9.

FIG. 12 is a bottom plan view of the candy figurine of FIG. 9.

FIG. 13 is a right side elevation view of the candy figurine of FIG. 9; and,

FIG. 14 is a left side elevation view of the candy figurine of FIG. 9.

The broken lines in the figures represent portions of the candy figurine for a container that form no part of the claimed design.

(56) **References Cited**

U.S. PATENT DOCUMENTS

2,692,698 A * 10/1954 Waterman B65D 43/20
D9/417
D206,136 S * 11/1966 Schmid D9/451
D226,070 S * 1/1973 Alaska D9/436

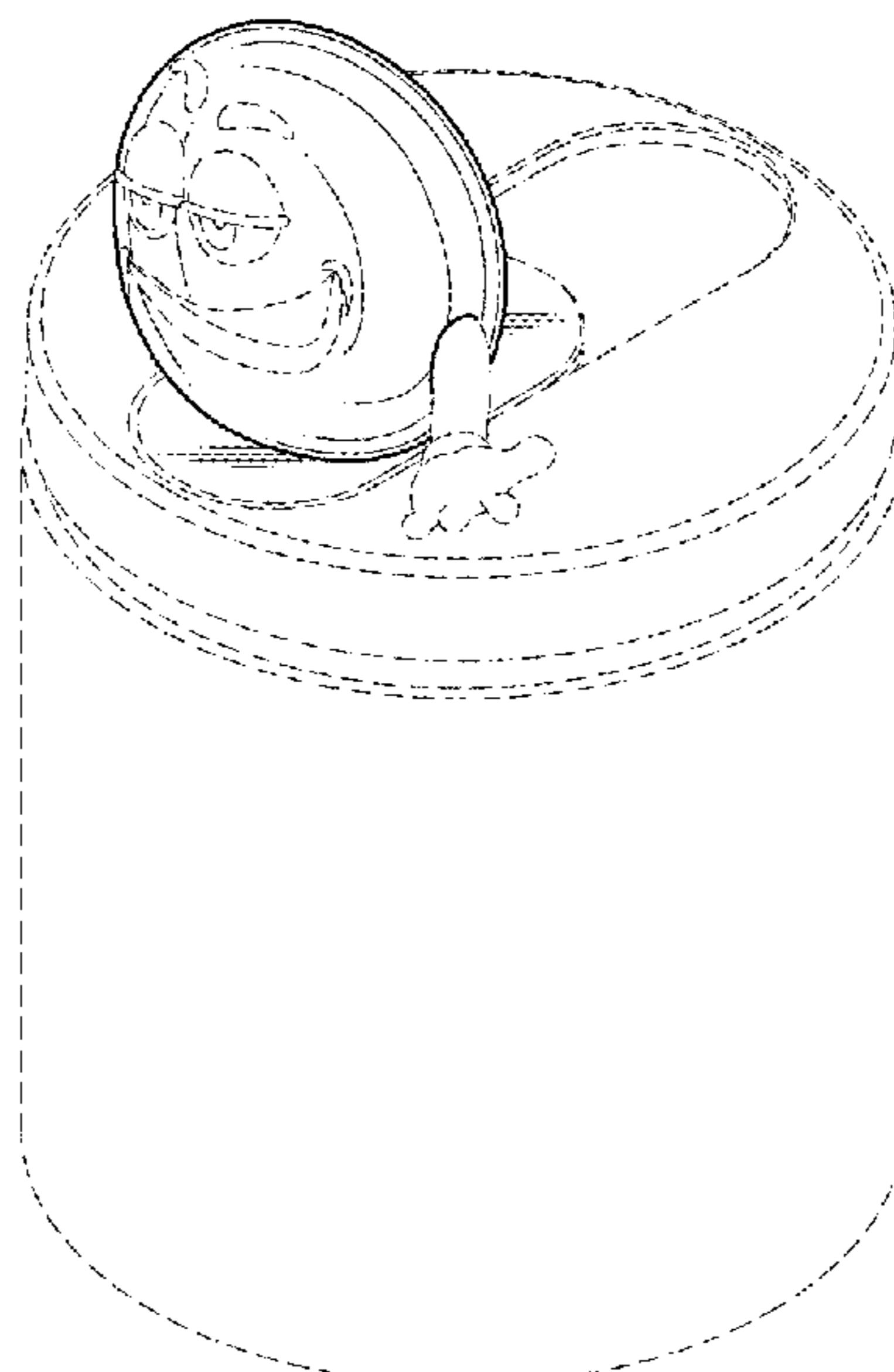
(Continued)

OTHER PUBLICATIONS

M&M Gumball Machine, dated Feb. 20, 2015. https://www.youtube.com/watch?v=38Q-vs9BWpo.*

(Continued)

1 Claim, 6 Drawing Sheets



(56)

References Cited

U.S. PATENT DOCUMENTS

D398,231 S * 9/1998 Gager D9/435
6,006,901 A * 12/1999 Pereira Da Silva A47K 5/08
206/540
D442,634 S * 5/2001 O'Shei D9/451
6,328,157 B1 * 12/2001 Tolver B65D 81/365
206/457
D497,802 S * 11/2004 Haggerty D9/417
D507,180 S * 7/2005 Hina D9/436
D553,507 S * 10/2007 Scimone D9/417

OTHER PUBLICATIONS

M&M dispenser, dated Jun. 6, 2010. <https://www.flickr.com/photos/bfishadow/4673109027>.*

M&M Spender/Dispenser, "Red, Yellow, Orange, Green Auswahlen", URL: http://www.ebay.de/itm/M-M-SPENDER-DIS-PENSER-Red-Yellow-Orange-Green-AUSWAHLEN-/252153035110?var=&hash=item3ab57df966:m:mmROBk33YEvqBPiF3_e-Gw [accessed on Apr. 6, 2016].

* cited by examiner

FIG.1

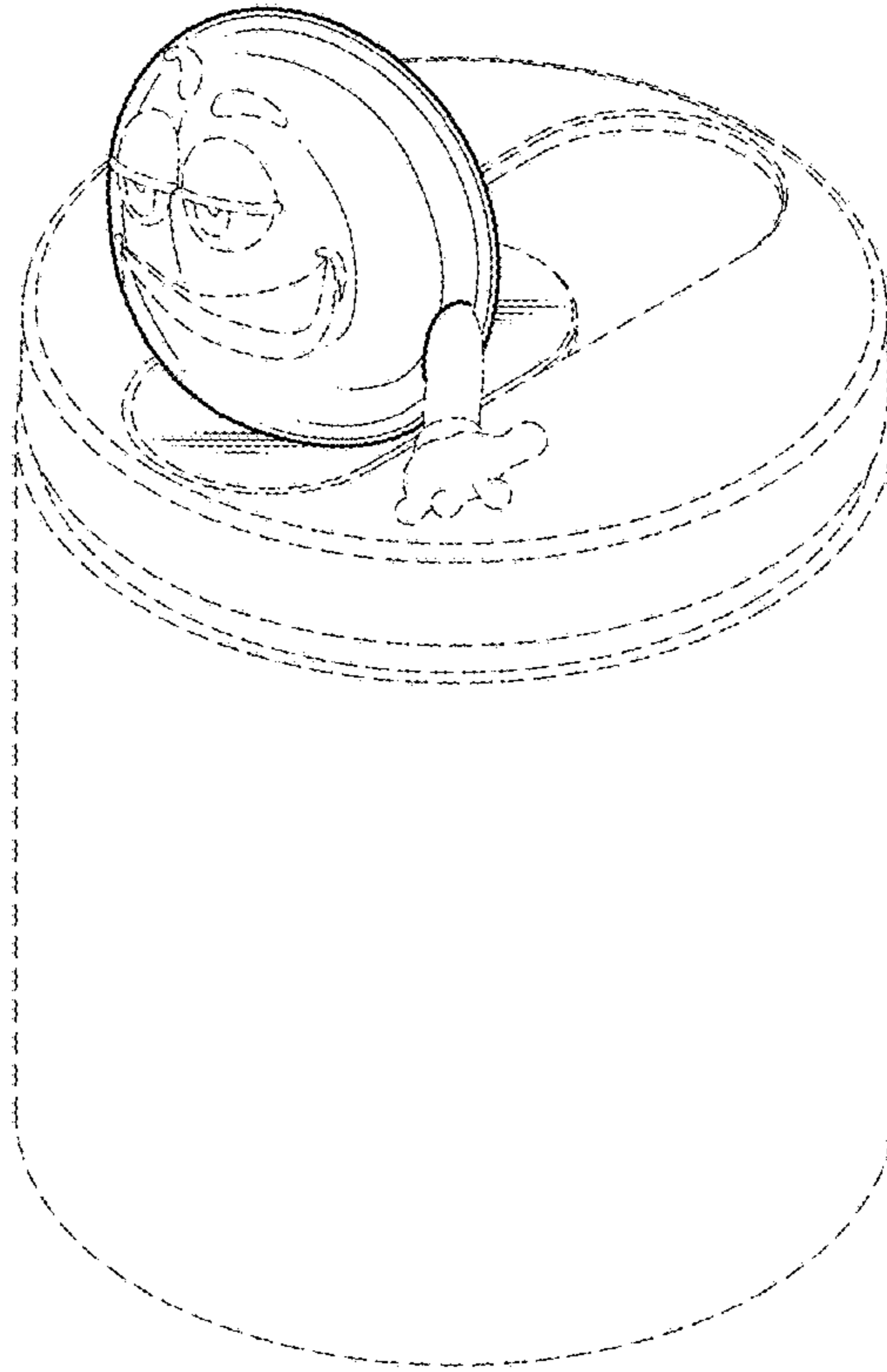


FIG.2

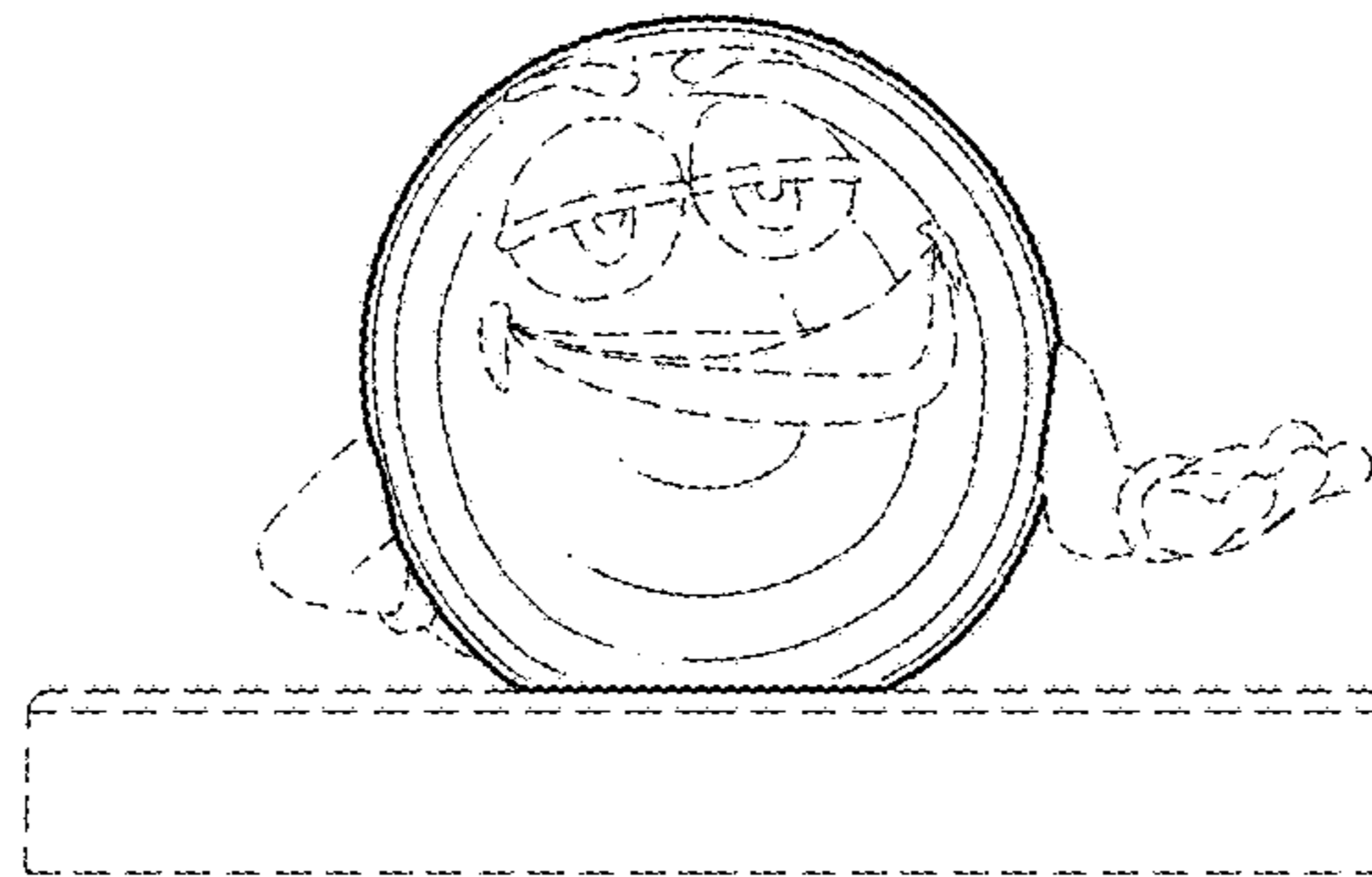
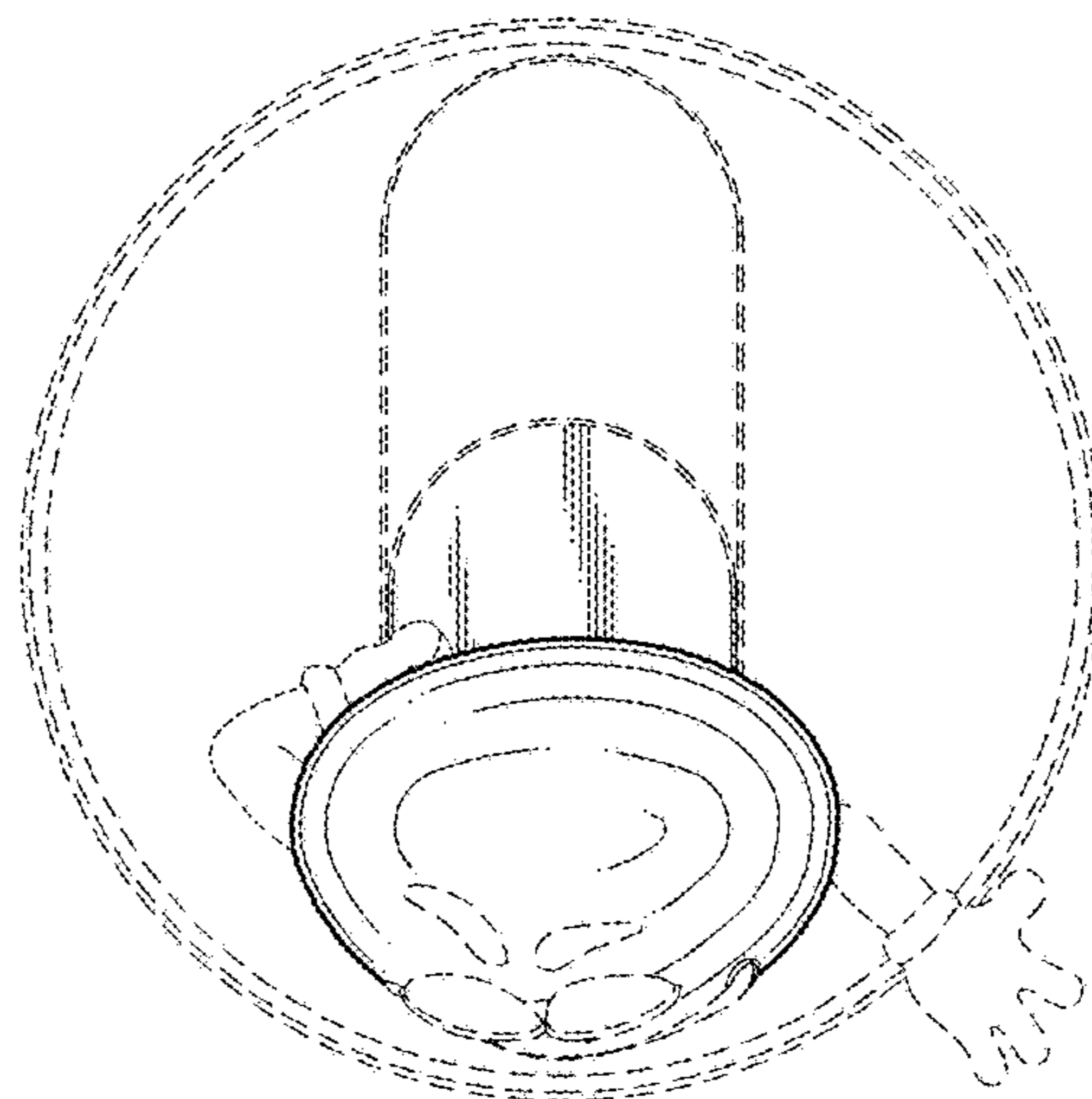


FIG.3



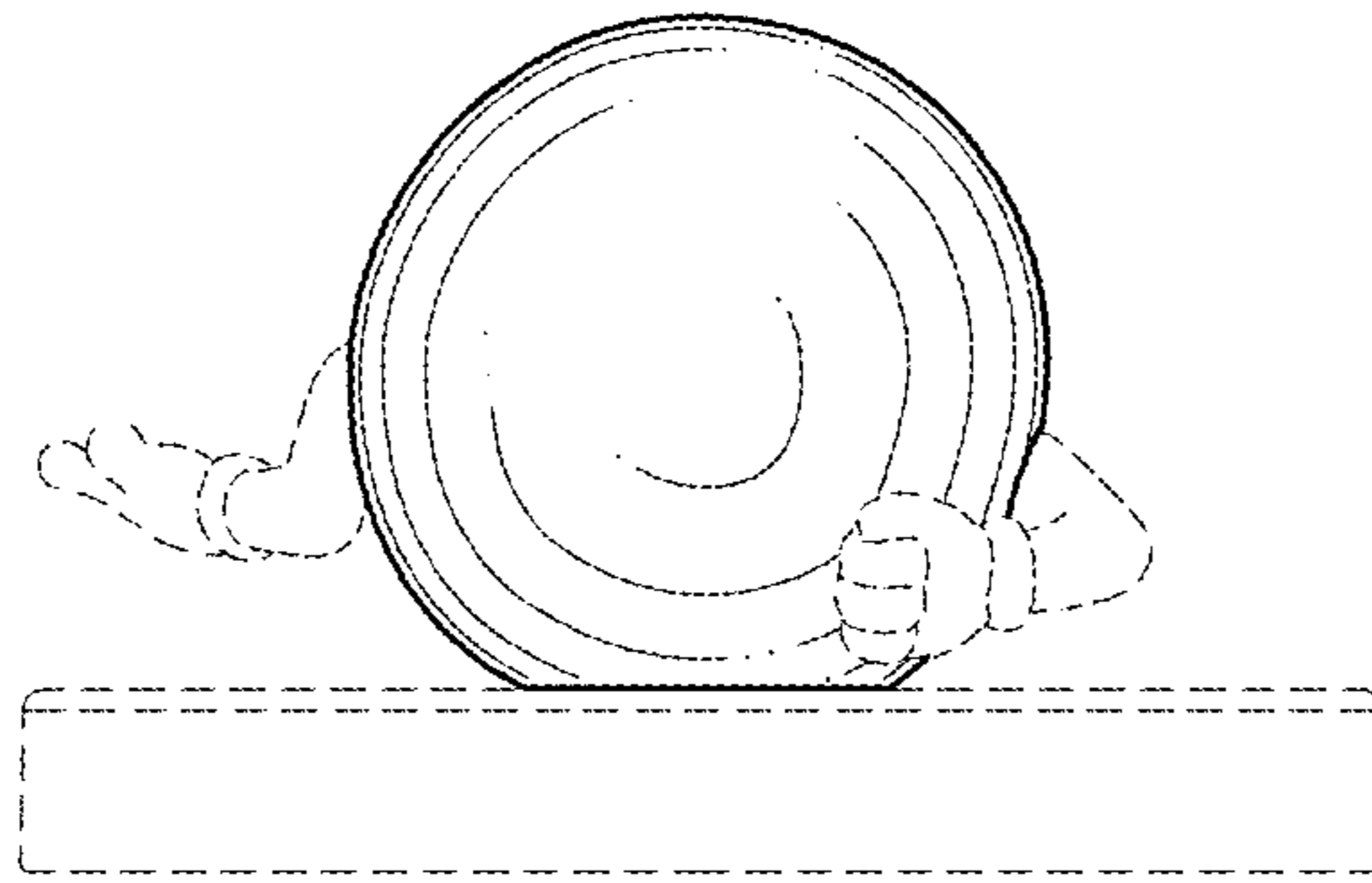


FIG. 4

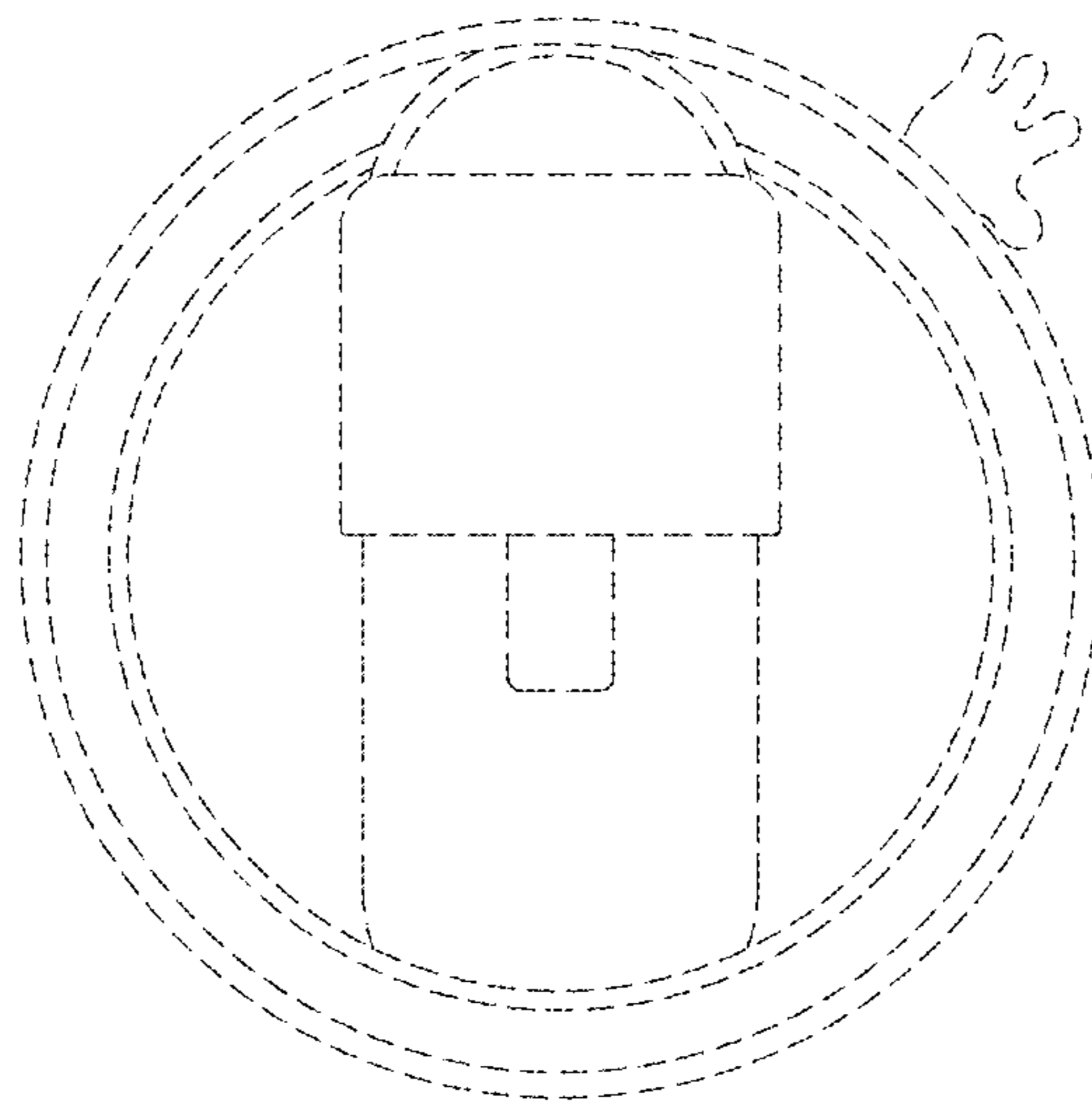


FIG. 5

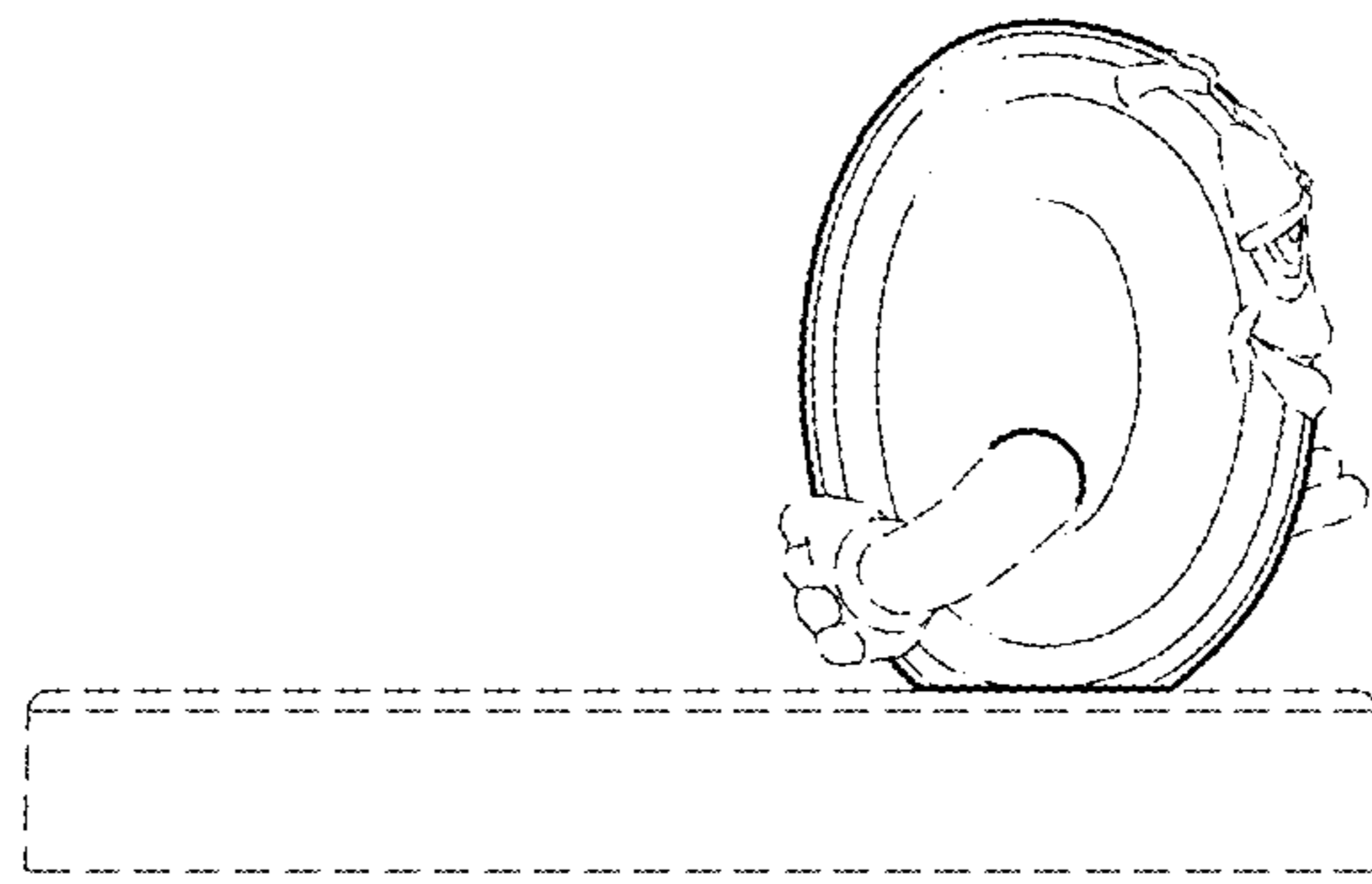


FIG. 6

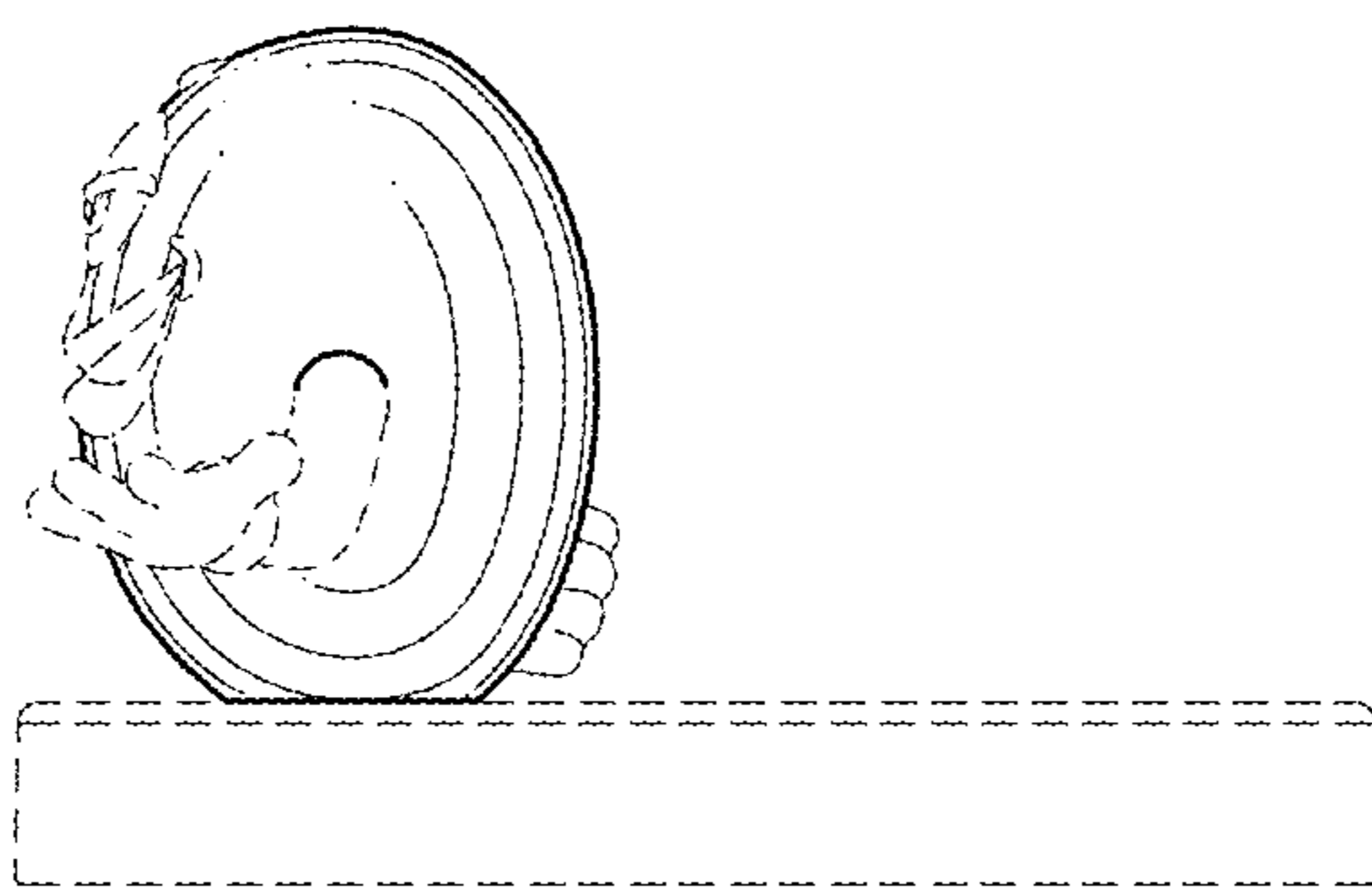


FIG. 7

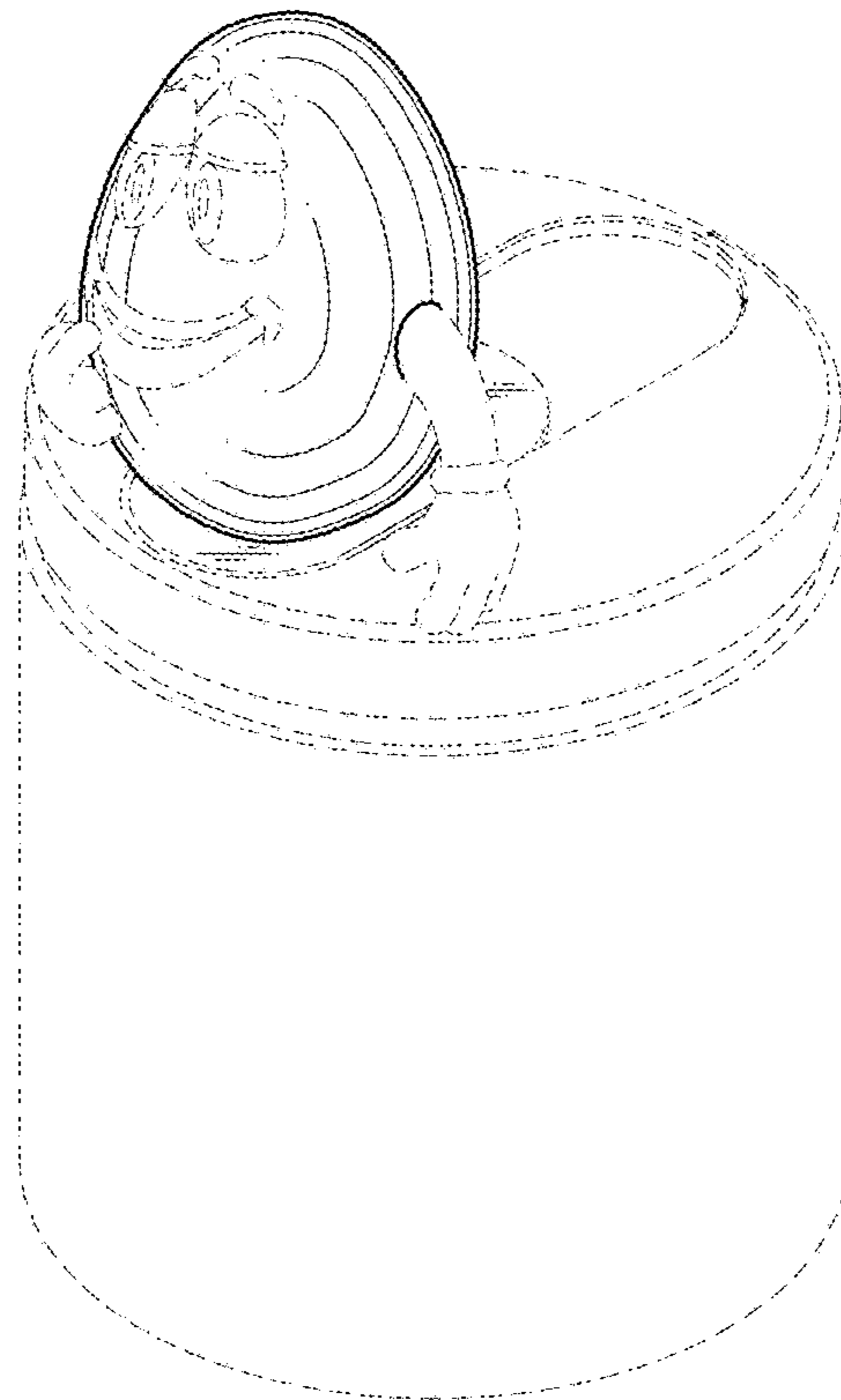


FIG. 8

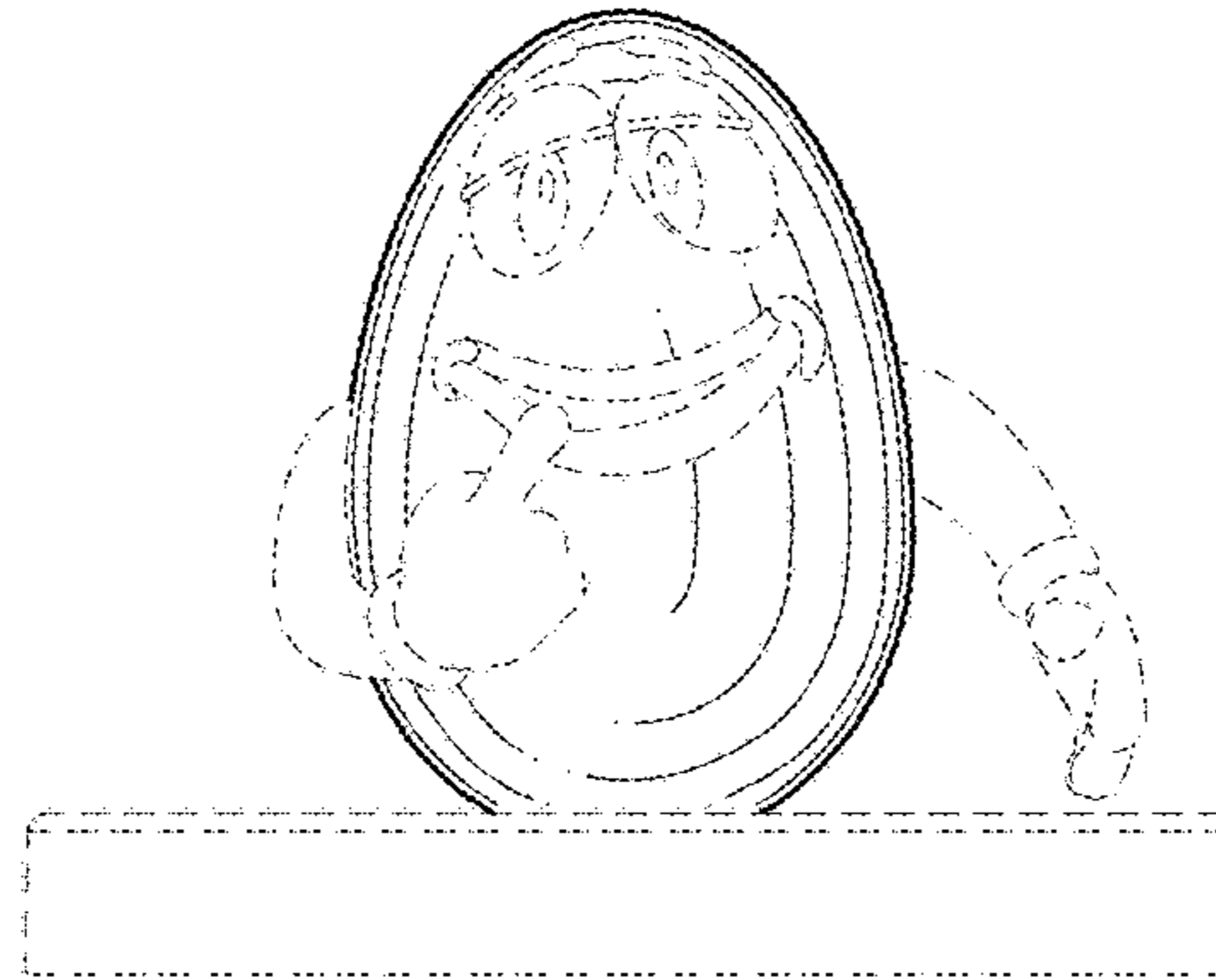


FIG. 9

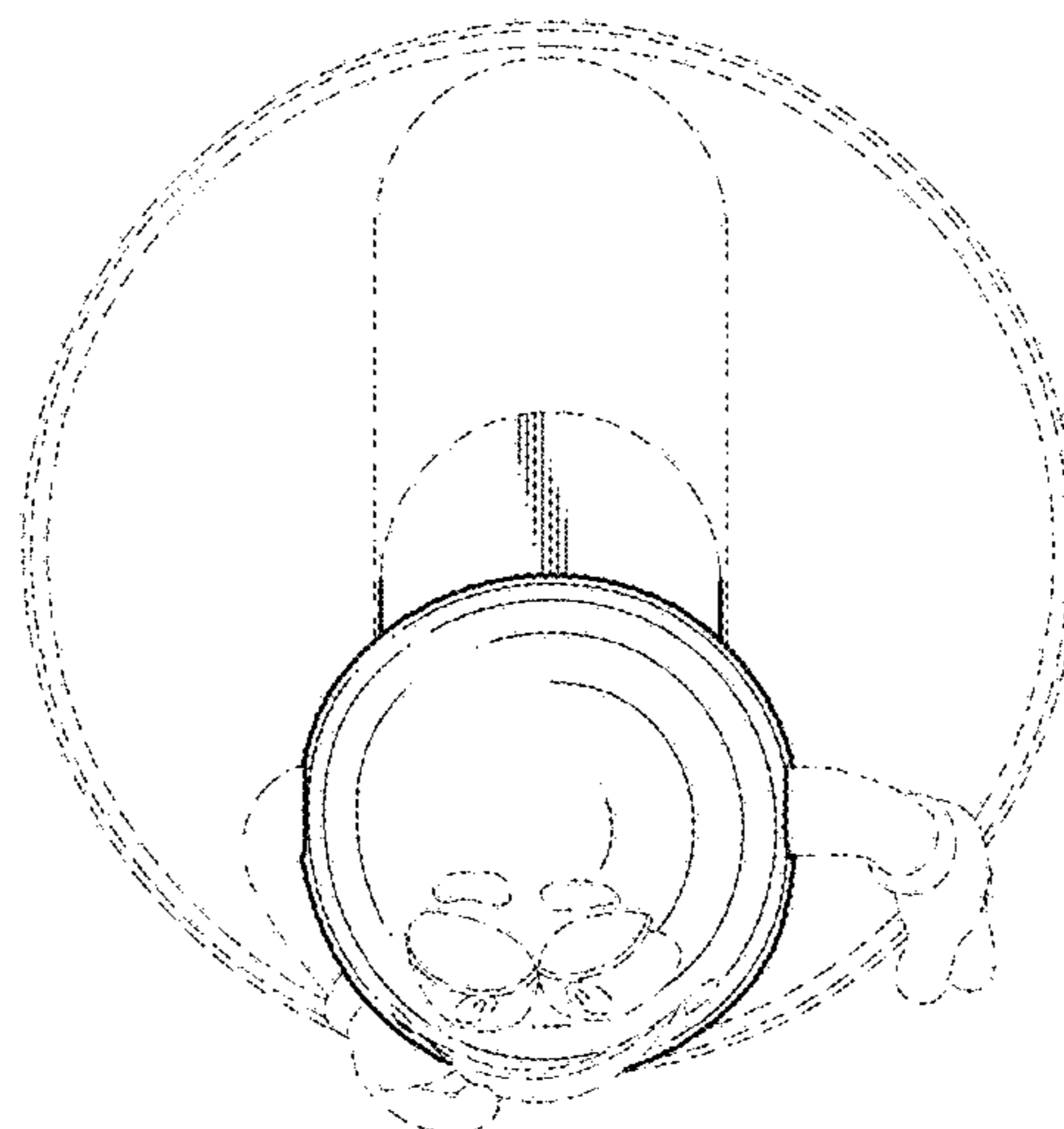


FIG. 10

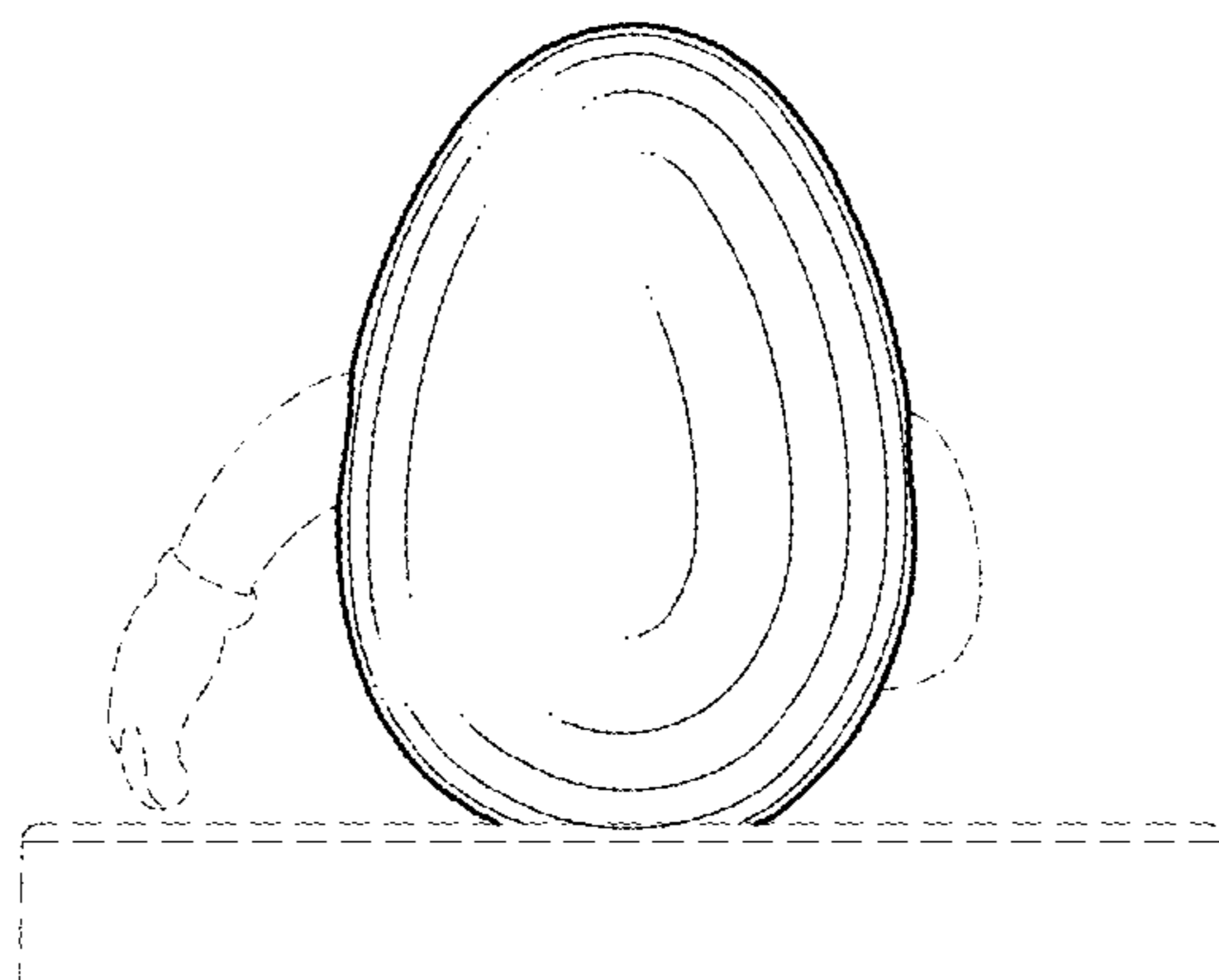


FIG. 11

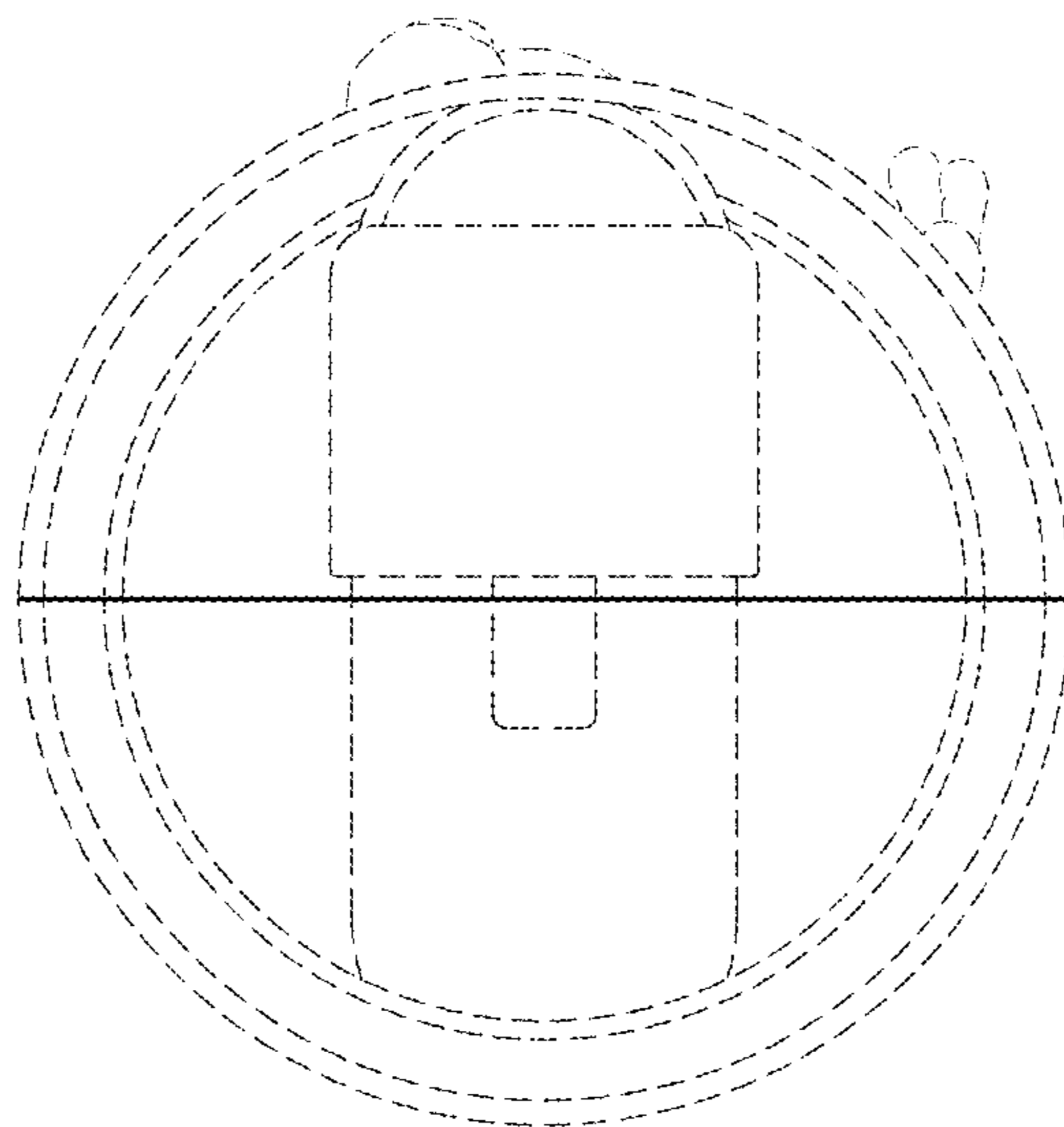


FIG. 12

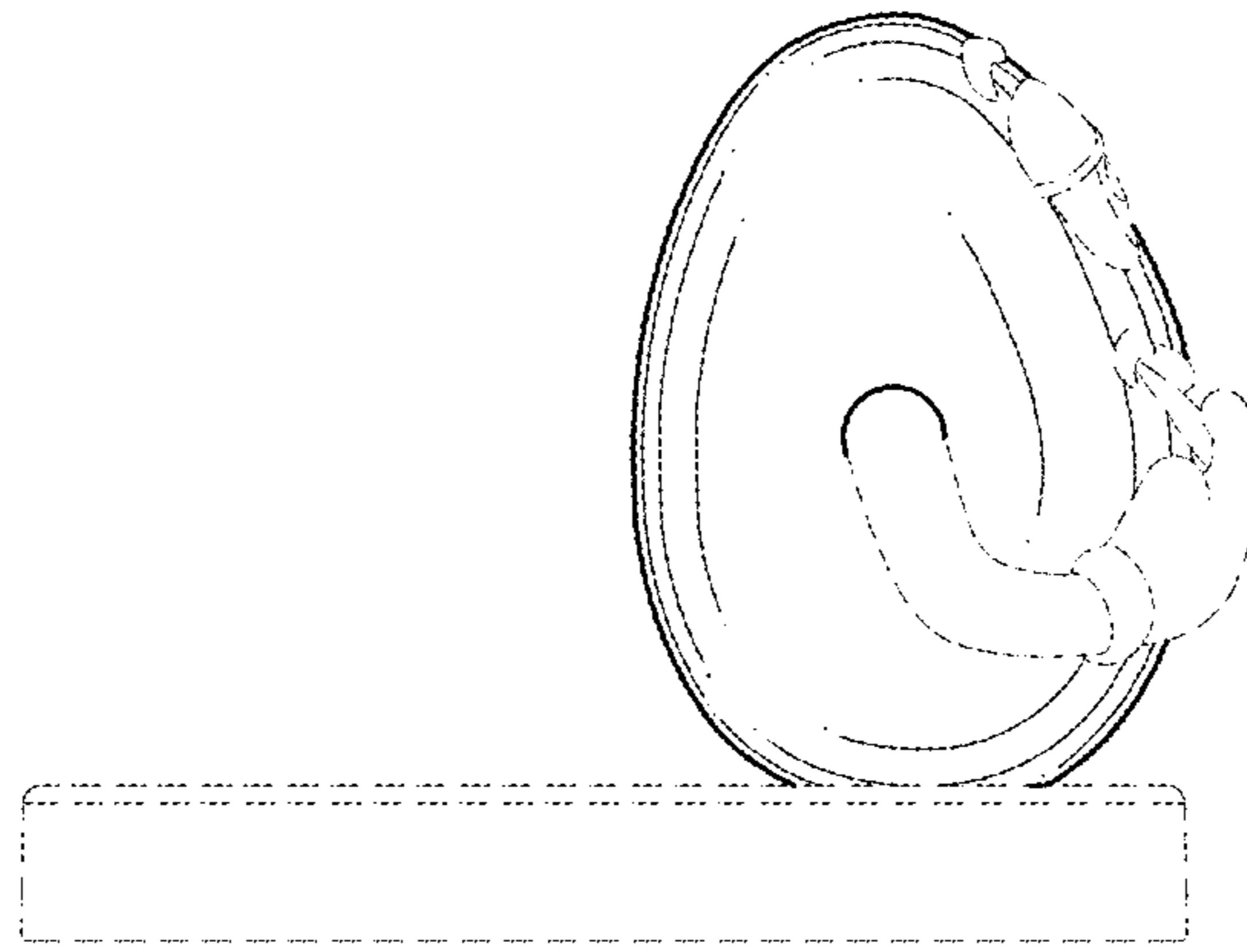


FIG. 13

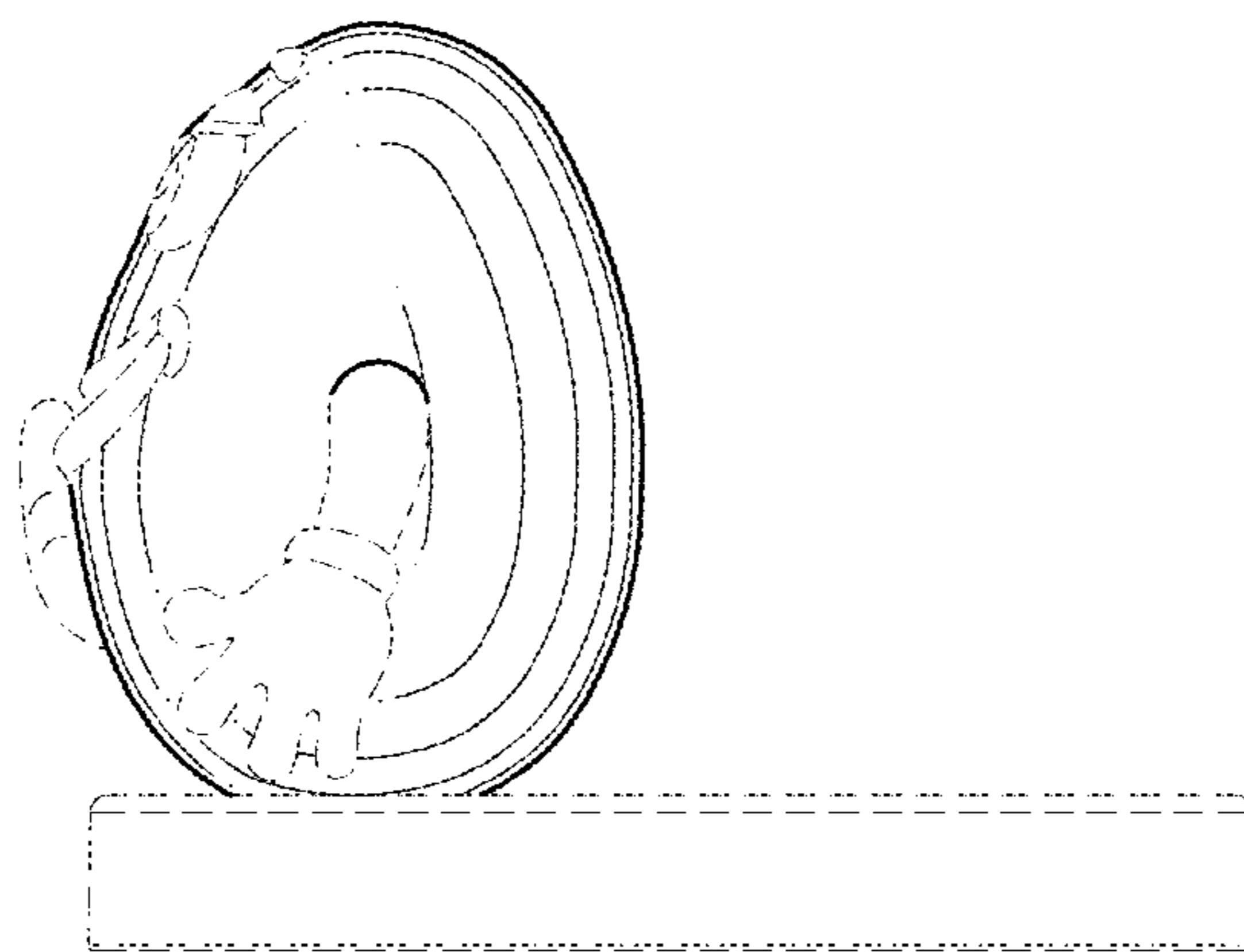


FIG. 14