



US00D808802S

(12) **United States Design Patent**  
**Seiders et al.**

(10) **Patent No.:** **US D808,802 S**  
(45) **Date of Patent:** **\*\* Jan. 30, 2018**

- (54) **LID**
- (71) Applicant: **YETI Coolers, LLC**, Austin, TX (US)
- (72) Inventors: **Roy Joseph Seiders**, Rollingwood, TX (US); **Derek Sullivan**, Austin, TX (US)
- (73) Assignee: **YETI Coolers, LLC**, Austin, TX (US)
- (\*\*) Term: **15 Years**
- (21) Appl. No.: **29/563,692**
- (22) Filed: **May 6, 2016**
- (51) **LOC (11) Cl.** ..... **09-07**
- (52) **U.S. Cl.**  
USPC ..... **D9/440; D9/436**
- (58) **Field of Classification Search**  
USPC ..... D7/300.2, 305, 316, 397, 510, 635;  
D9/434-436, 438, 439, 440, 443, 447,  
D9/449, 450, 454, 499, 715, 717, 718,  
D9/719; D23/260, 269, 390  
CPC ..... A47G 21/18; B65D 2231/022; B65D  
2543/00351  
See application file for complete search history.

D769,672 S \* 10/2016 Gallagher ..... D7/397  
D778,112 S \* 2/2017 Szymanski ..... D7/510  
D779,939 S \* 2/2017 Boroski ..... D7/396.2

**OTHER PUBLICATIONS**

Yeti. Rambler Tumbler Straw Lid. Jun. 10, 2017 [earliest online date], [site visited Jun. 15, 2017]. Available from Internet, <URL:http://yeti.com/rambler-tumbler-straw-lid>.\*  
Pictures of Rambler Straw Lid, published date unknown, but prior to the filing date of the present application.  
Pictures of Rambler Lid, published date unknown, but product has been on sale for more than one year prior to the filing date of the present application.

\* cited by examiner

*Primary Examiner* — Robert M. Spear  
*Assistant Examiner* — Darcey E Heflin  
(74) *Attorney, Agent, or Firm* — Banner & Witcoff, Ltd.

(57) **CLAIM**

The ornamental design for a lid, as shown and described.

**DESCRIPTION**

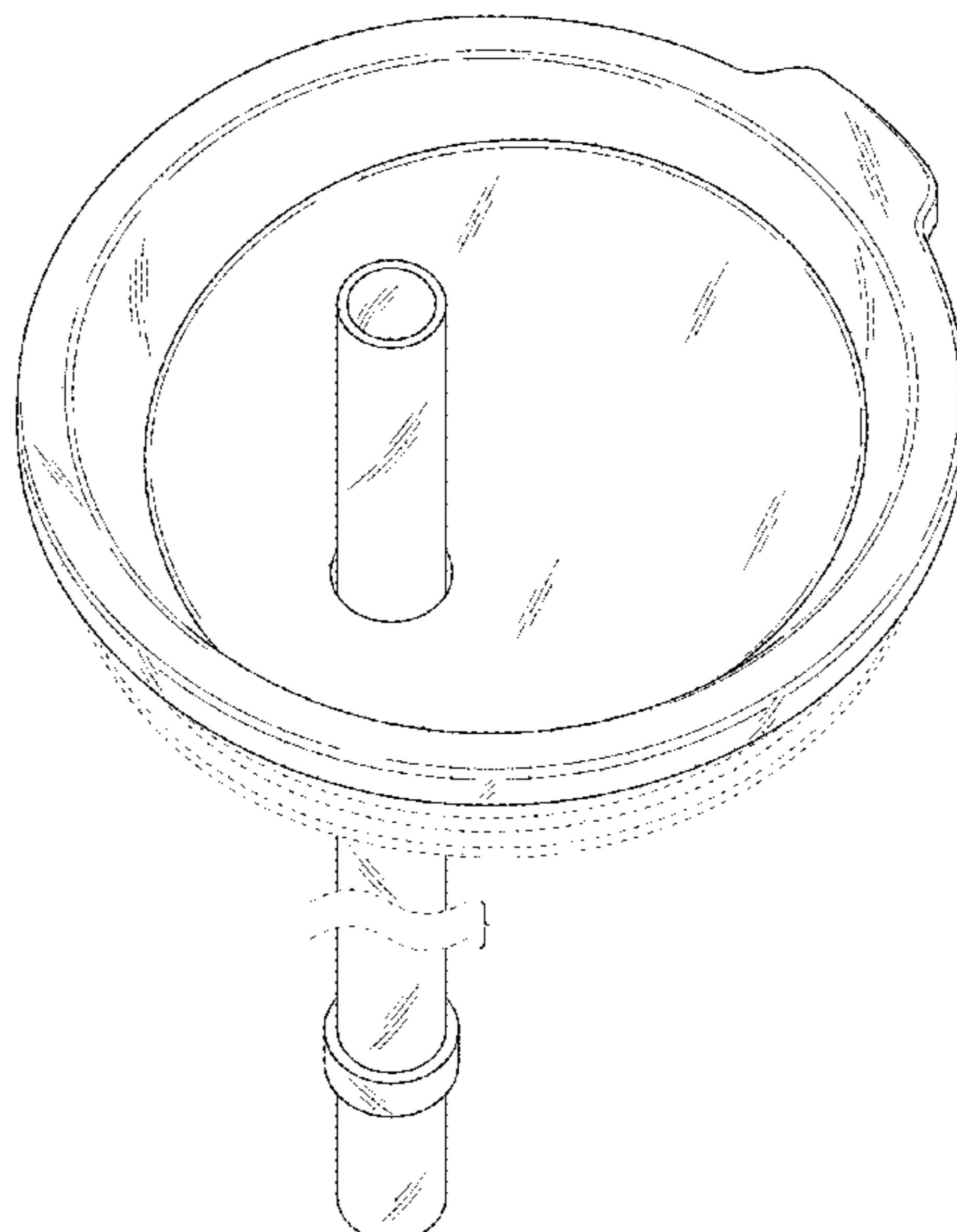
FIG. 1 is a top, front, right perspective view of a lid showing our new design;  
FIG. 2 is a front view thereof;  
FIG. 3 is a rear view thereof;  
FIG. 4 is a right side view thereof;  
FIG. 5 is a left side view thereof; and  
FIG. 6 is a top view thereof; and,  
FIG. 7 is a bottom view thereof.  
The broken lines immediately adjacent to the shaded area represent unclaimed boundaries of the design. The bracketed portion shown in FIGS. 1-5 showing a break in the surface represents indeterminate length and forms no part of the claimed design. The broken lines showing the remainder of the lid are for environmental purposes only and form no part of the claimed design.

(56) **References Cited**

**U.S. PATENT DOCUMENTS**

- D137,297 S \* 2/1944 Ruther ..... D23/213
- D181,337 S \* 11/1957 Beall, Jr. .... D9/447
- D318,427 S \* 7/1991 Sherburne, Jr. .... 215/388
- D324,824 S \* 3/1992 Hansen ..... 215/388
- D327,848 S \* 7/1992 Hanover ..... 215/388
- D390,111 S \* 2/1998 McCarrick ..... D10/103
- D437,781 S \* 2/2001 Beaver ..... D9/434
- D445,335 S \* 7/2001 Hou ..... D9/436
- D573,017 S \* 7/2008 Henderson ..... D9/436
- D701,425 S \* 3/2014 Pearson ..... D7/510
- D722,872 S \* 2/2015 Bowman ..... D9/436
- D757,542 S \* 5/2016 Prum ..... D9/447

**1 Claim, 7 Drawing Sheets**



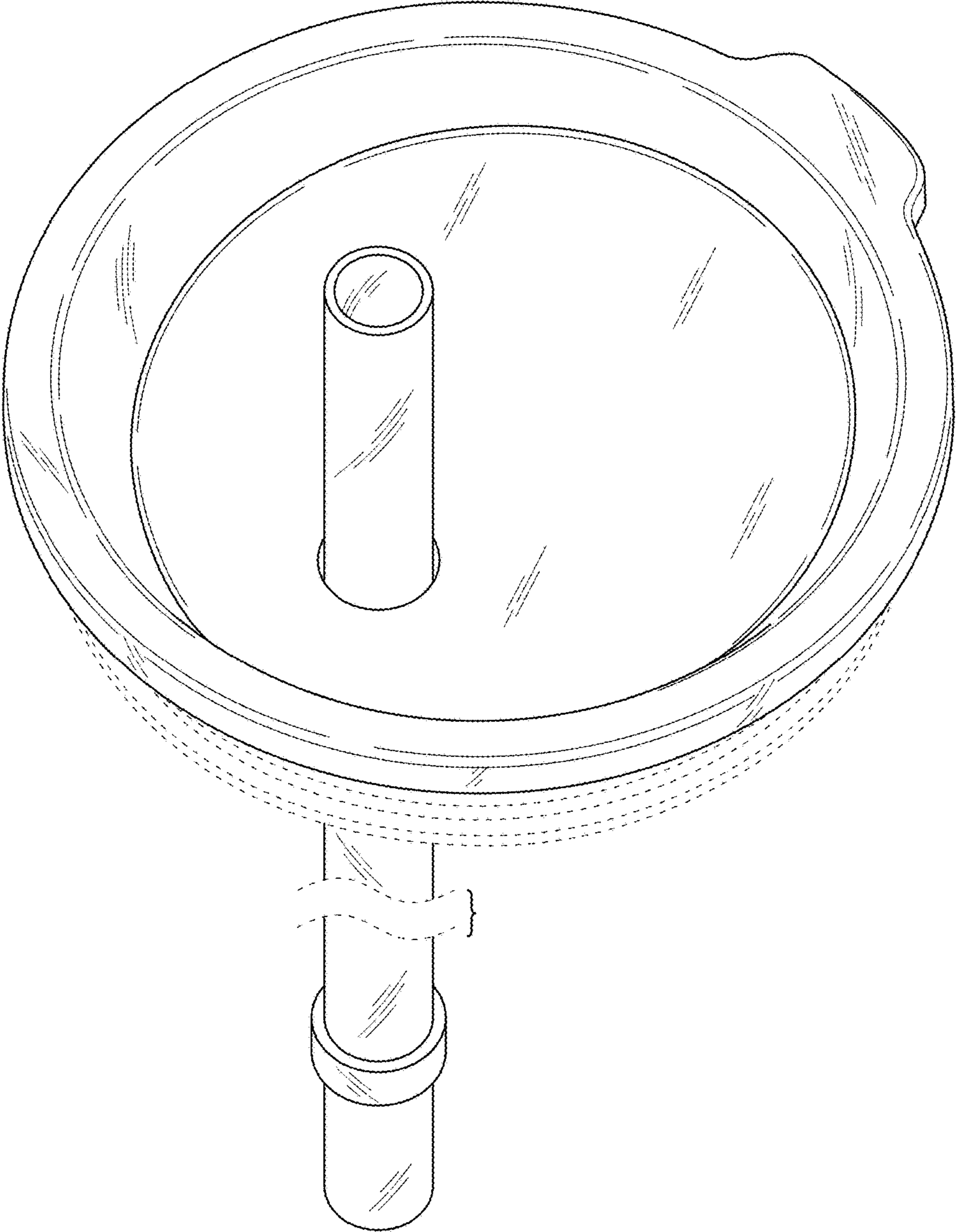


FIG. 1

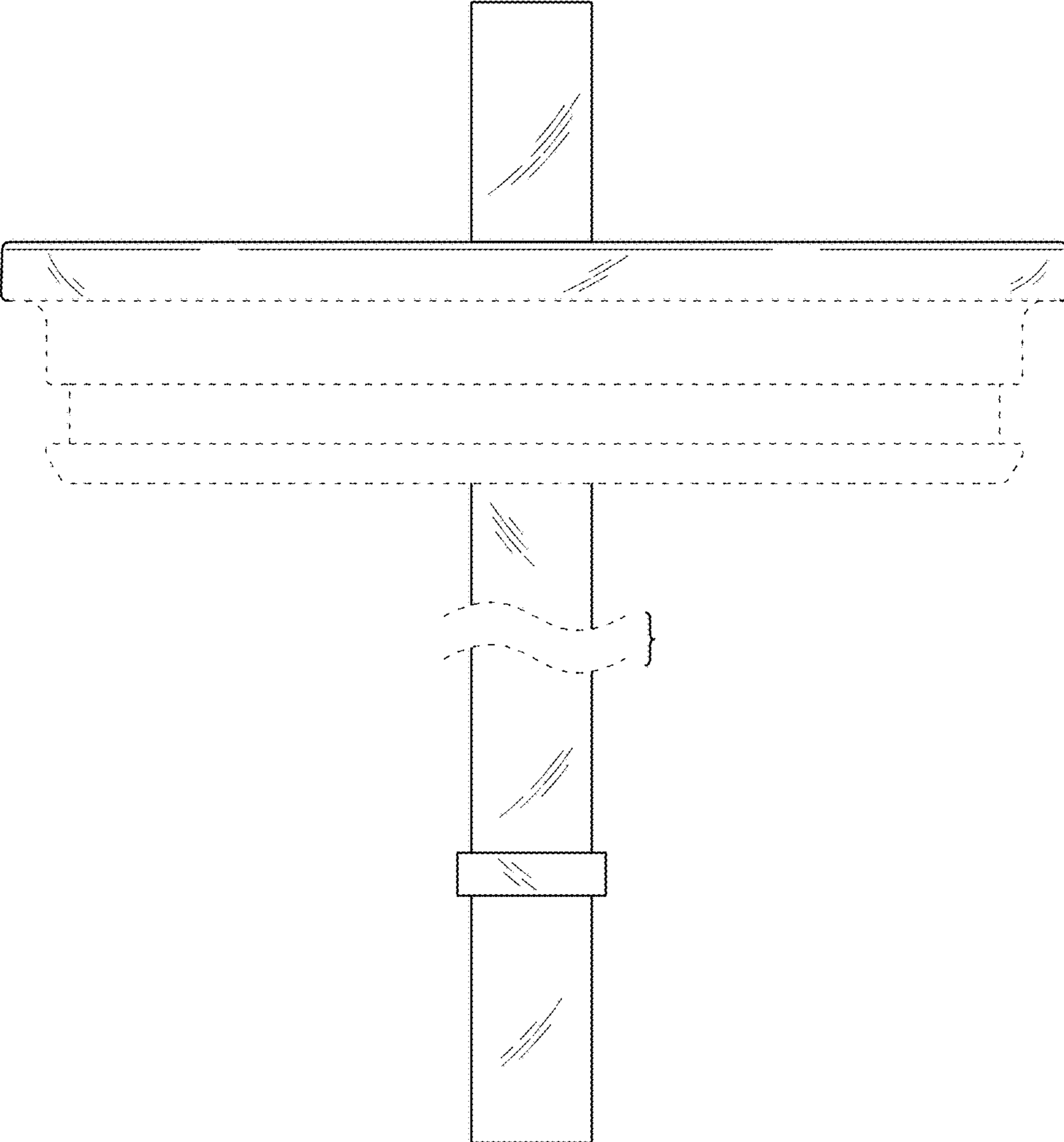


FIG. 2

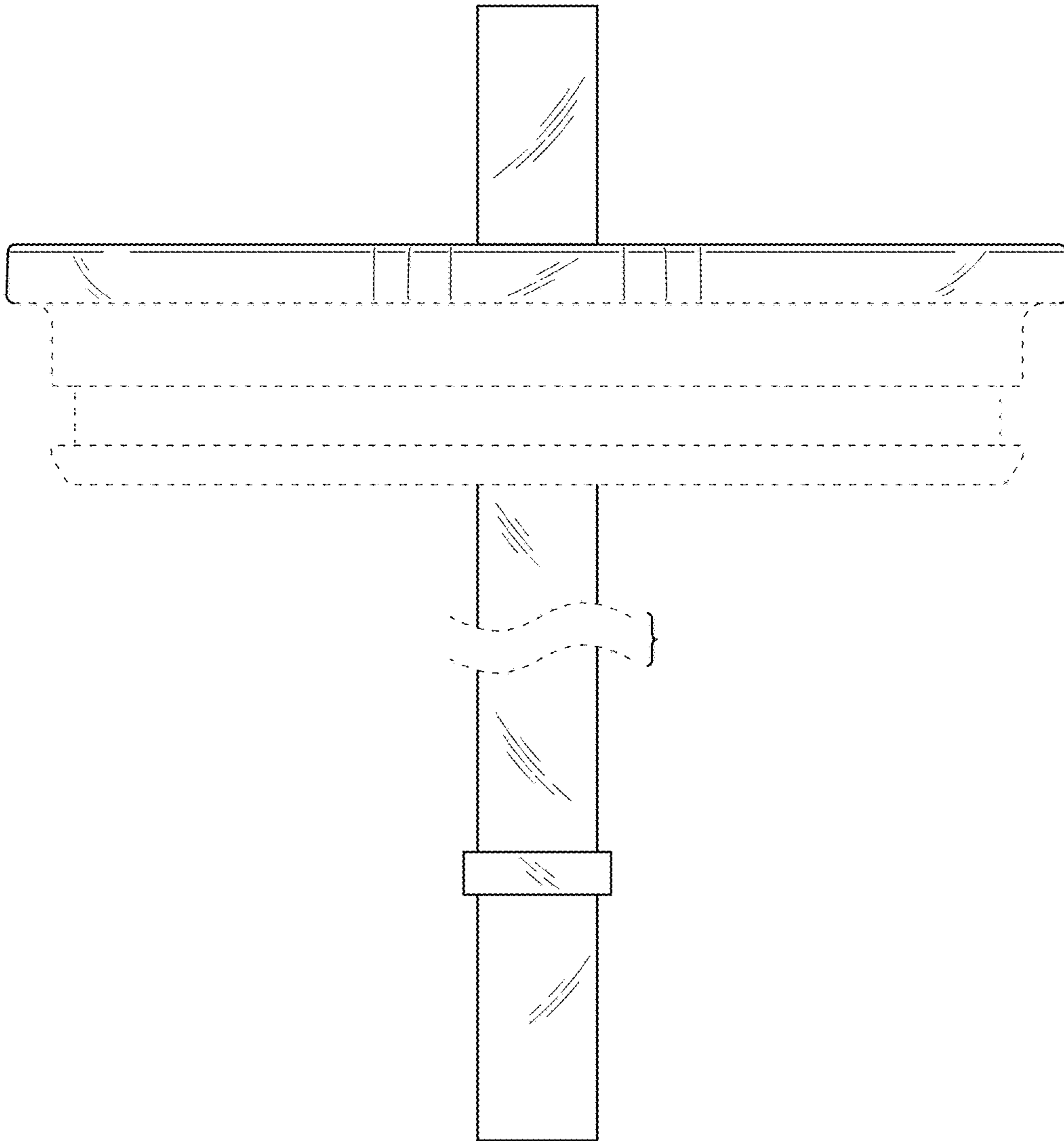


FIG. 3

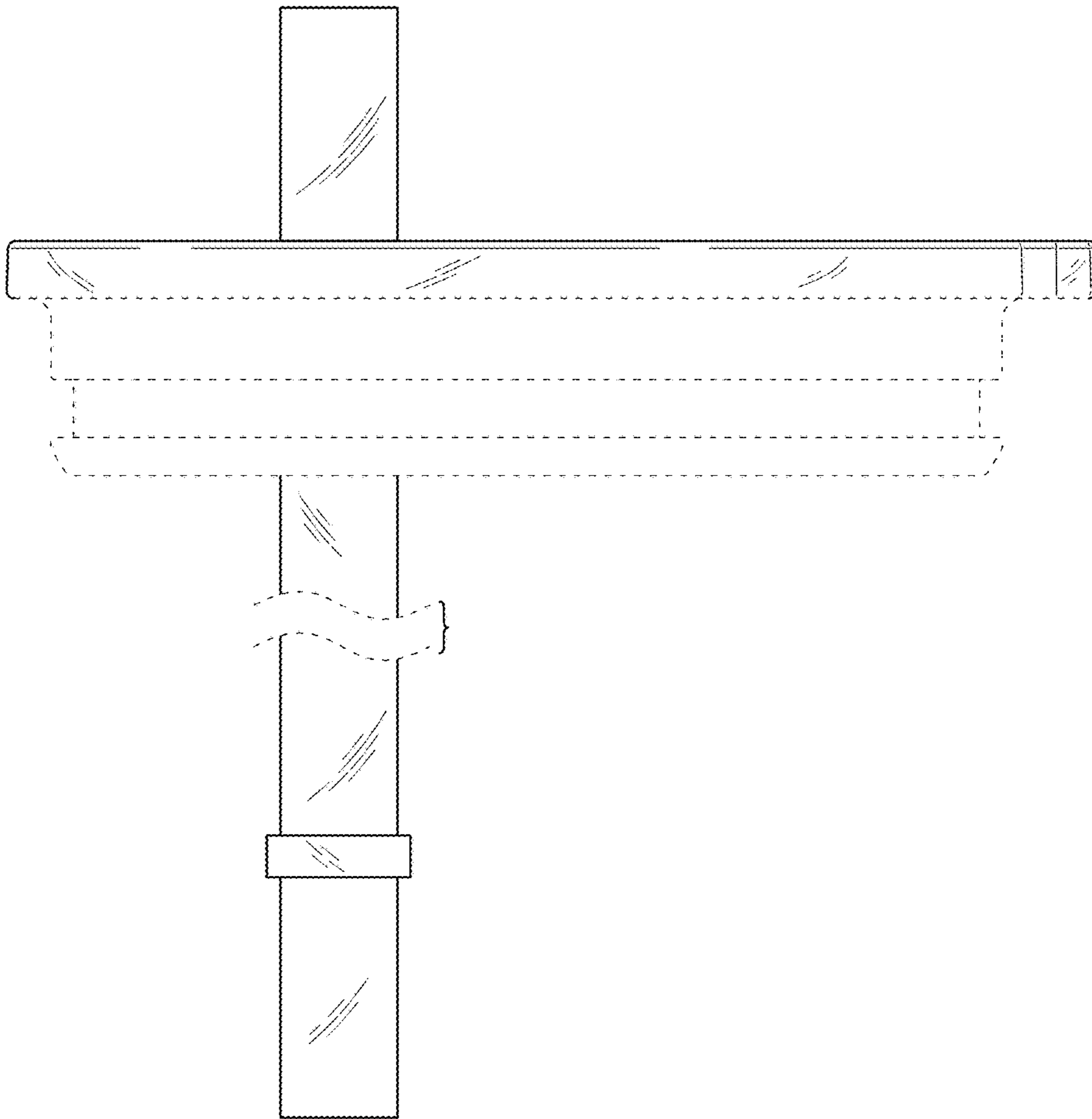


FIG. 4

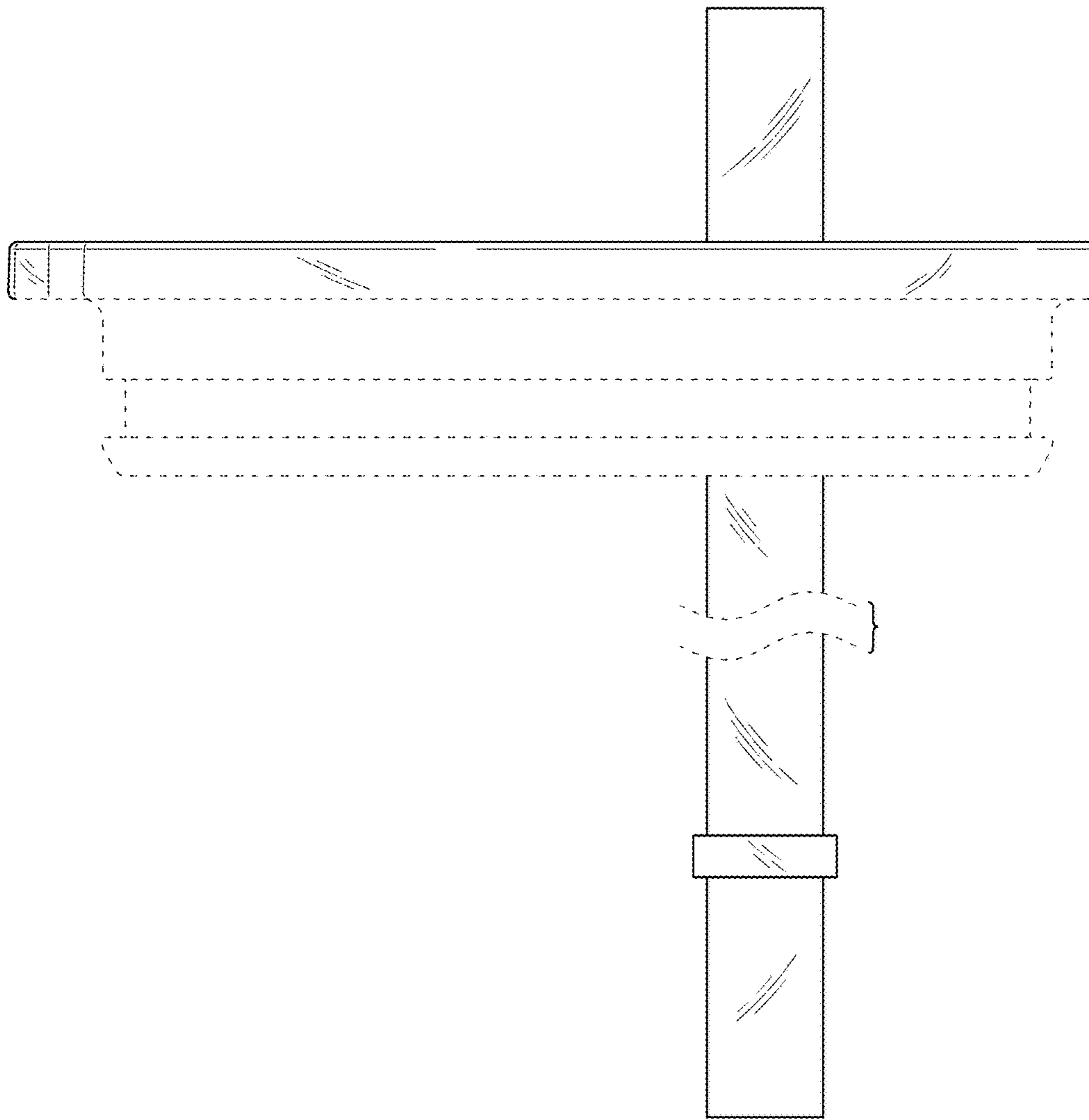


FIG. 5

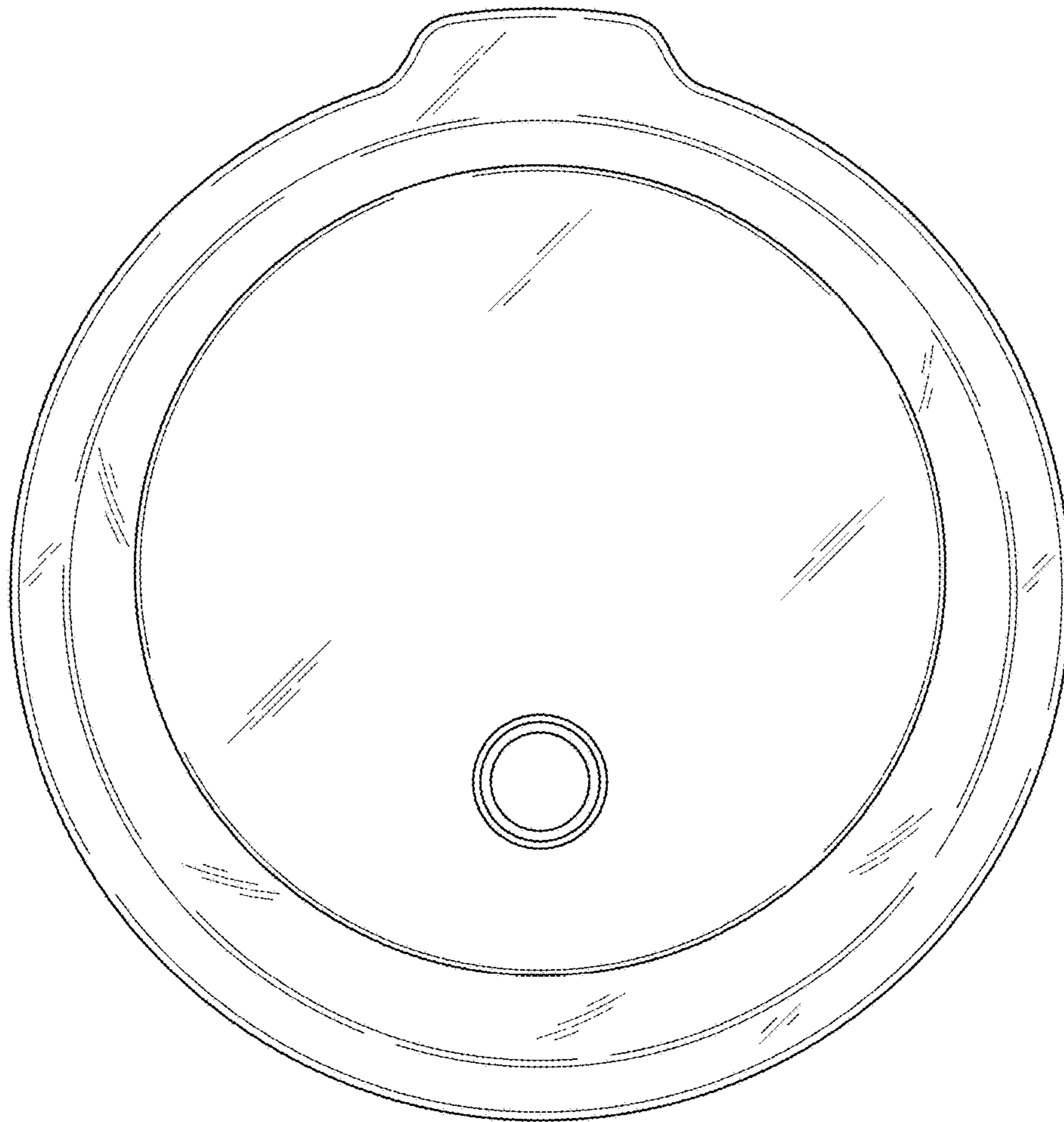


FIG. 6

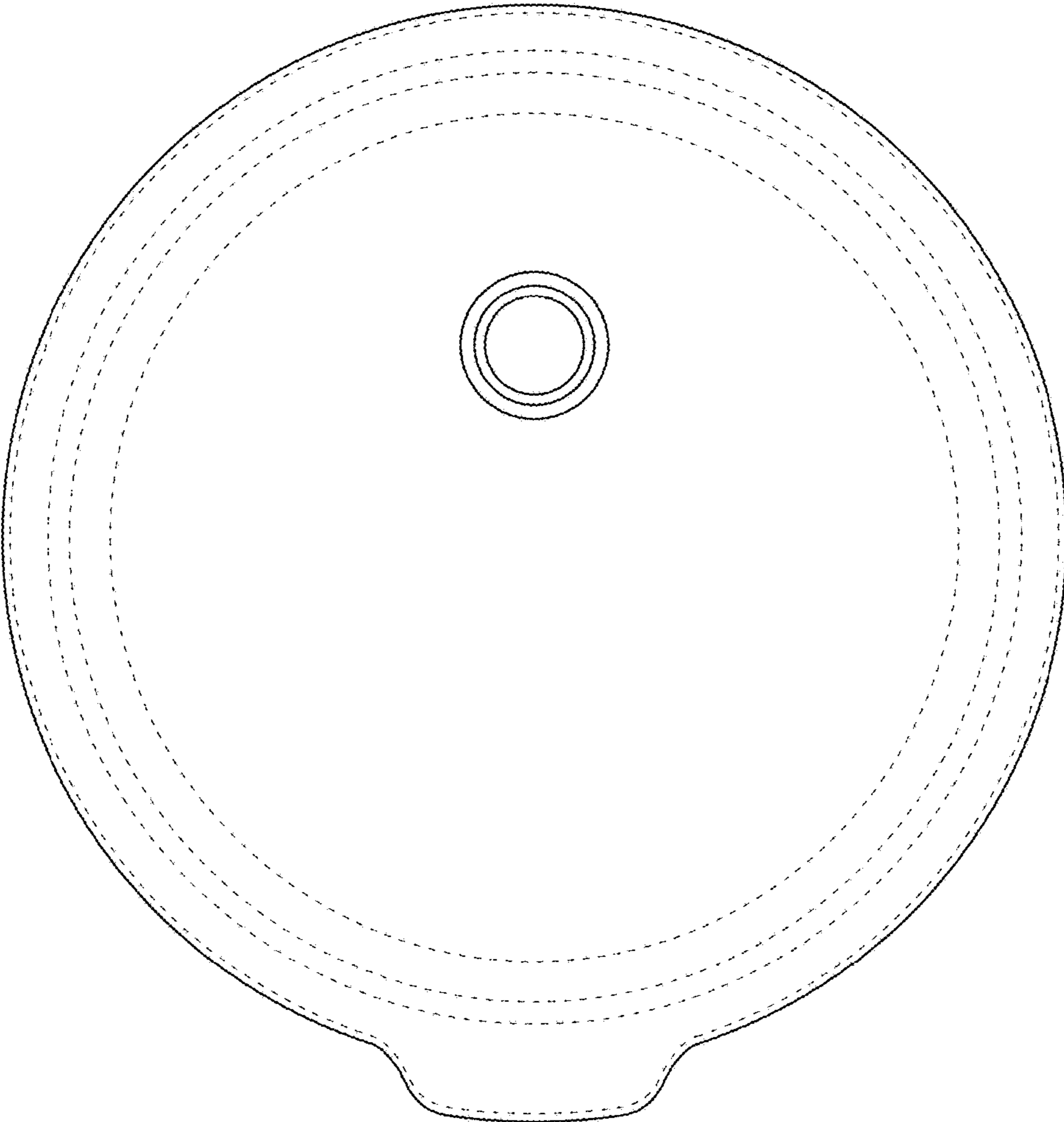


FIG. 7