



US00D808801S

(12) **United States Design Patent**
Cooper et al.

(10) **Patent No.:** **US D808,801 S**
(45) **Date of Patent:** **** Jan. 30, 2018**

(54) **HANDLE FOR CONTAINER**
(71) Applicant: **Dart Industries Inc.**, Orlando, FL (US)
(72) Inventors: **Lee A. Cooper**, Gulf Shores, AL (US);
Nathan E. Shirley, Orlando, FL (US)
(73) Assignee: **Dart Industries Inc.**, Orlando, FL (US)
(**) Term: **15 Years**

3,773,249 A * 11/1973 Hidding A47G 23/0258
16/410
D259,238 S * 5/1981 Schenck, III D6/328
4,280,859 A * 7/1981 Thompson B65D 23/10
156/245
D269,253 S * 6/1983 Gagnon 294/137
D272,131 S * 1/1984 Hayes D9/434
5,042,676 A * 8/1991 Gohlke B65D 25/2841
16/225
D377,581 S * 1/1997 Rohrer D7/393
D391,444 S * 3/1998 Munari D7/393
(Continued)

(21) Appl. No.: **29/591,322**
(22) Filed: **Jan. 19, 2017**
(51) **LOC (11) Cl.** **09-07**
(52) **U.S. Cl.**
USPC **D9/434; D7/394**
(58) **Field of Classification Search**
USPC D9/428, 429, 434, 435, 442, 443,
D9/445-450, 453-456, 499, 682, 684,
D9/685, 726; D7/387, 388, 392, 392.1,
D7/393, 396.2, 396.3, 396.4, 401.1, 408,
D7/504, 507, 509-511, 538, 900, 394;
D3/202, 203.2, 318; D28/91.1; D8/300,
D8/302, 307
CPC .. A61J 1/00; A61J 1/1412; B65D 1/00; B65D
1/02; B65D 1/10; B65D 1/46; B65D
2585/56; B65D 2585/545; B65D 41/00;
B65D 41/38; B65D 41/56; B65D 41/62;
B65D 47/00; B65D 47/06; B65D 47/08;
B65D 2543/00046; B65D 2543/00092;
B65D 2543/00296; B65D 5/46; B65D
2251/00
See application file for complete search history.

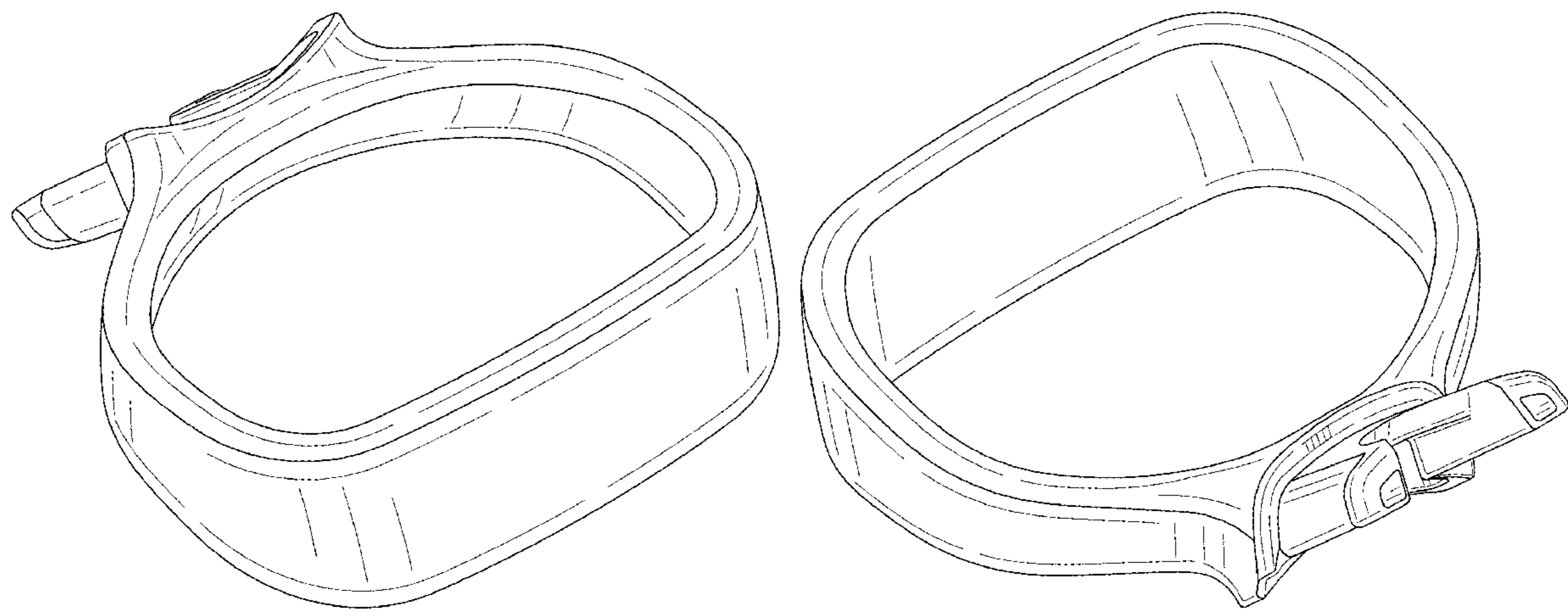
(56) **References Cited**
U.S. PATENT DOCUMENTS
3,373,924 A * 3/1968 Linda A47G 23/0258
229/117.24
3,481,528 A * 12/1969 Linda A47G 23/0258
229/117.24

OTHER PUBLICATIONS
U.S. Appl. No. 29/562,832, filed Apr. 29, 2016, Shirley et al.
Primary Examiner — Michael A. Pratt
Assistant Examiner — Wendy Arminio
(74) *Attorney, Agent, or Firm* — Taylor J. Ross

(57) **CLAIM**
The ornamental design for a handle for container, as shown and described.

DESCRIPTION
FIG. 1 is a top, rear and left side perspective view of a handle for container showing our new design;
FIG. 2 is a bottom, front and left side perspective view thereof;
FIG. 3 is a top plan view thereof;
FIG. 4 is a bottom plan view thereof;
FIG. 5 is a rear elevation view thereof;
FIG. 6 is a front elevation view thereof;
FIG. 7 is a left side elevation view, the right side elevation being a mirror image thereof;
FIG. 8 is a cross-sectional view taken in the direction of line 8-8 in FIG. 3;
FIG. 9 is a cross-sectional view taken in the direction of line 9-9 in FIG. 3; and,
FIG. 10 is a cross-sectional view taken in the direction of line 10-10 in FIG. 7.

1 Claim, 5 Drawing Sheets



(56)

References Cited

U.S. PATENT DOCUMENTS

D405,690	S	*	2/1999	Takahashi	D9/434
D405,691	S	*	2/1999	Takahashi	D9/434
D423,350	S	*	4/2000	Takahashi	D9/434
D441,653	S	*	5/2001	LeRoux	D9/434
D470,011	S	*	2/2003	Munari	D7/394
D512,307	S	*	12/2005	Ahrens	D9/434
D598,240	S	*	8/2009	Josancy	D7/394
D618,960	S	*	7/2010	Chafai	D7/394
D636,633	S	*	4/2011	McEldowney	D7/394
D732,887	S	*	6/2015	Munari	D7/394
2016/0376061	A1	*	12/2016	Shirley	B65D 1/02 215/228

* cited by examiner

FIG. 1

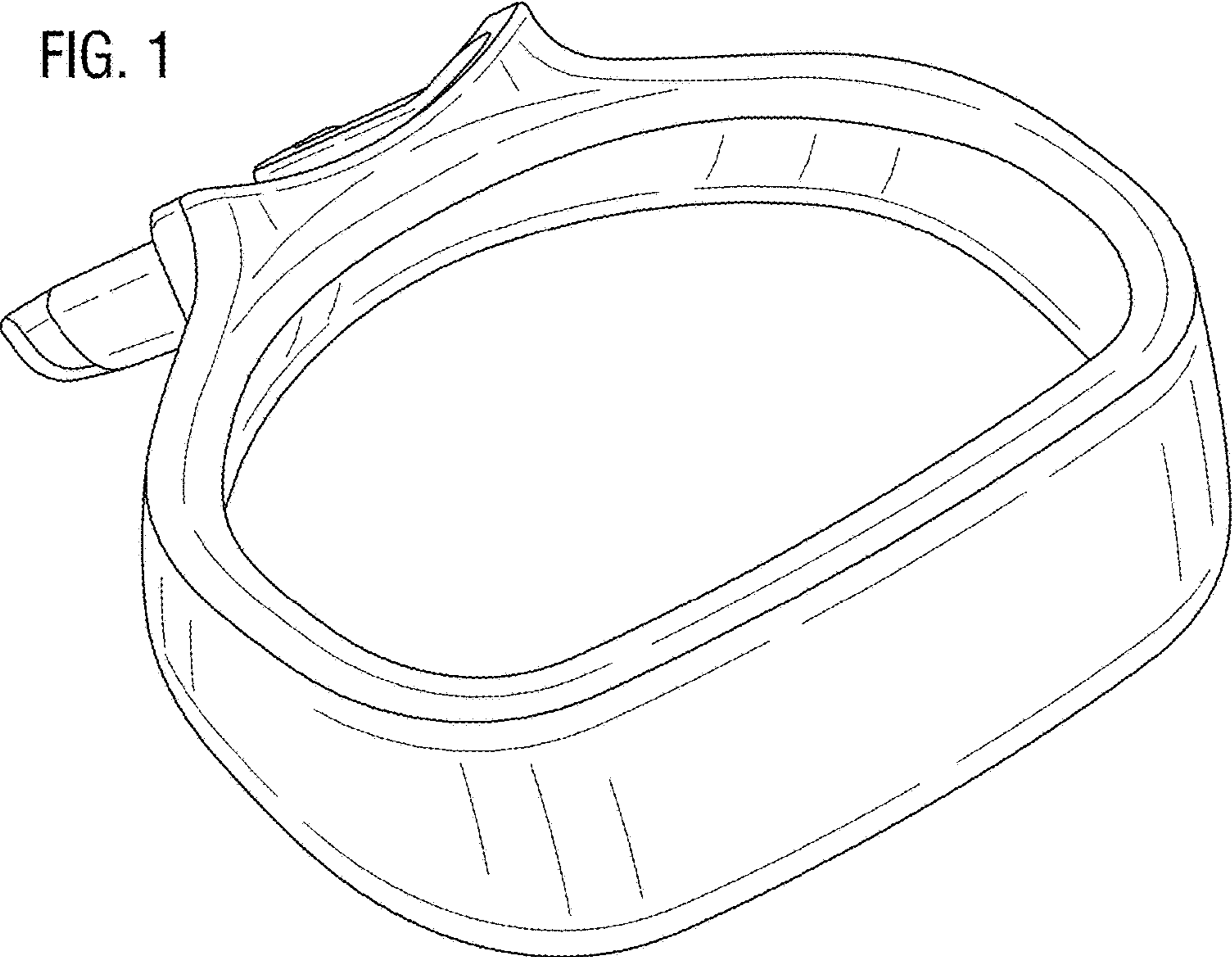


FIG. 2

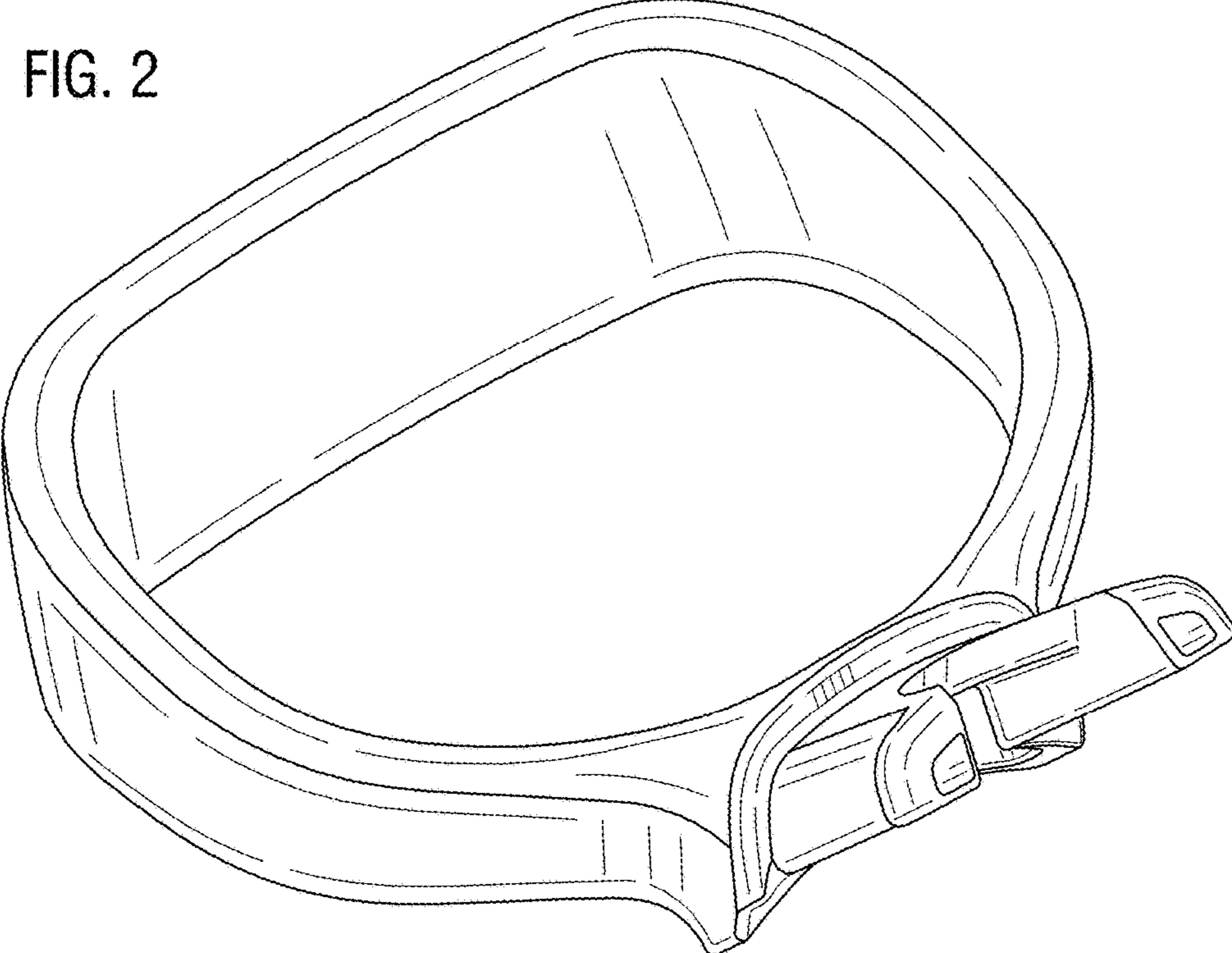


FIG. 3

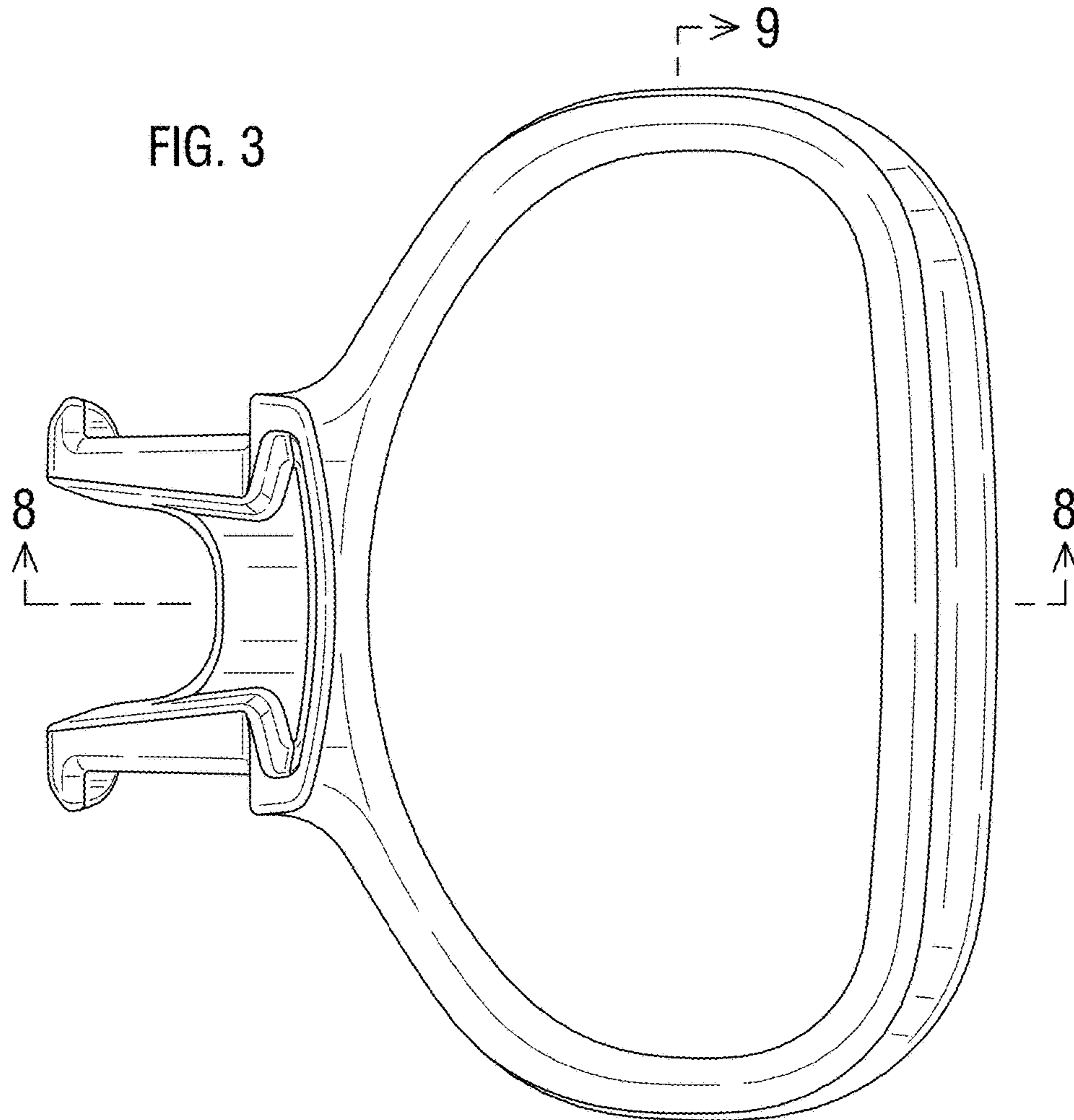
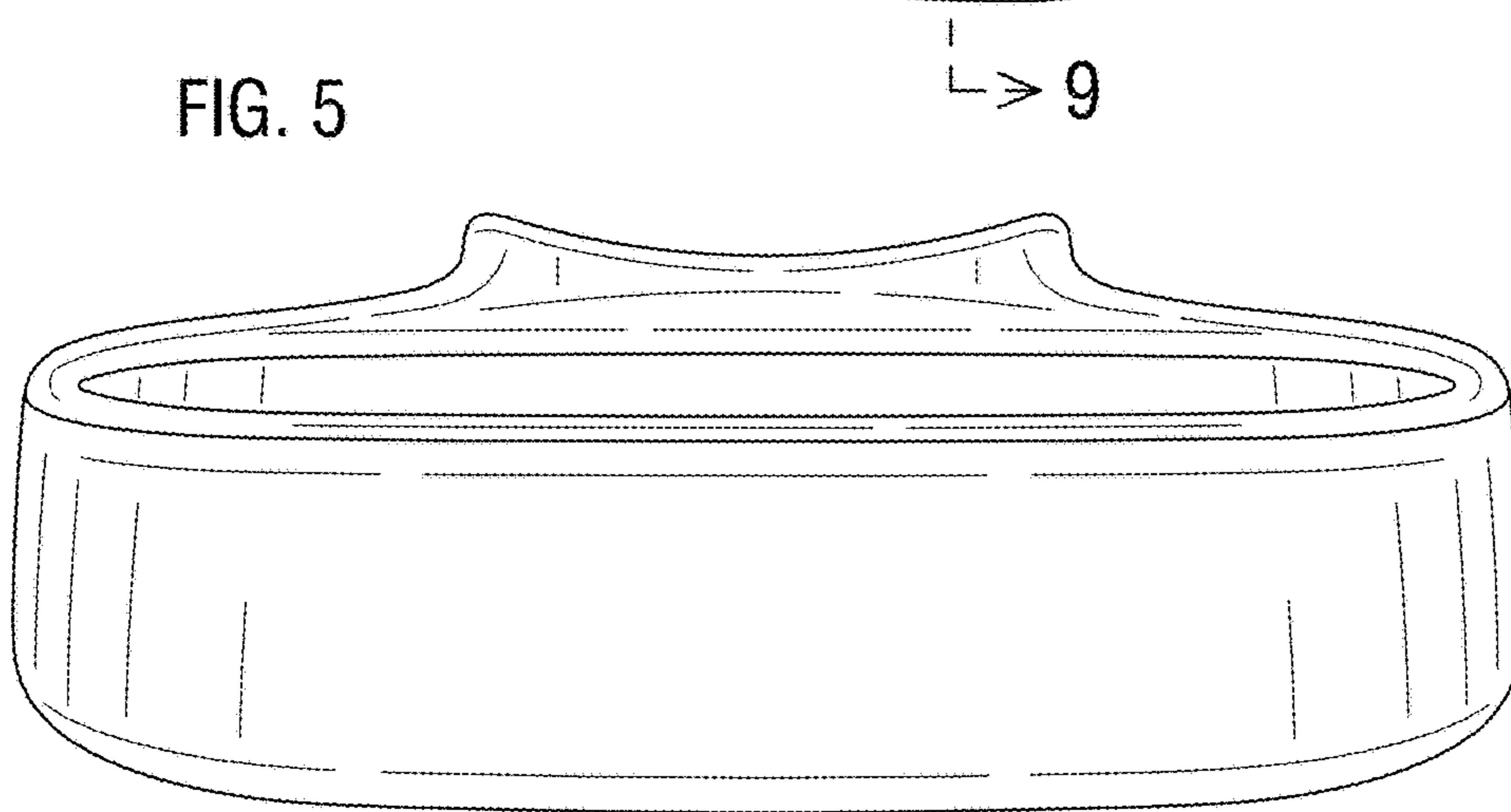


FIG. 5



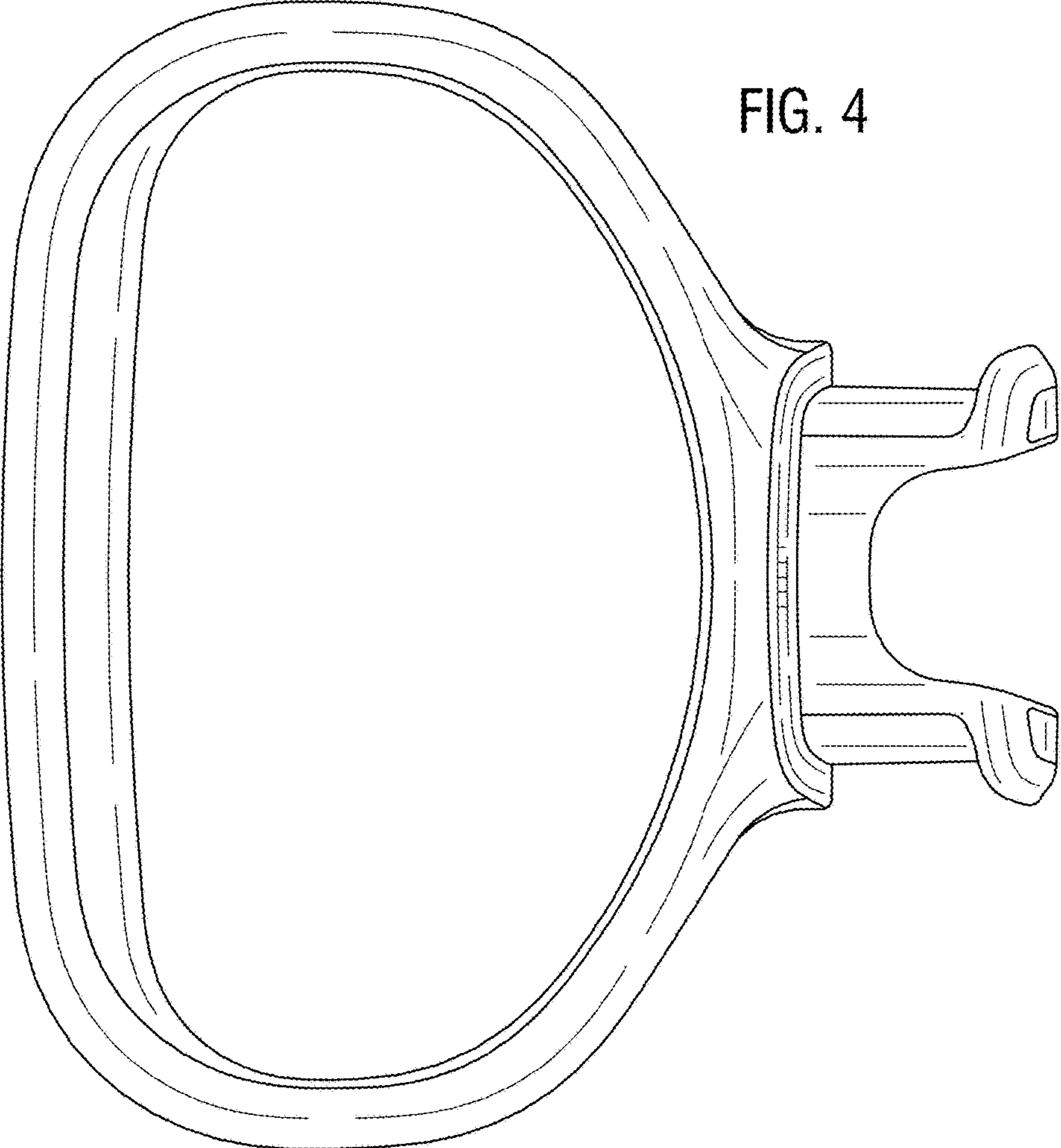


FIG. 4

FIG. 6

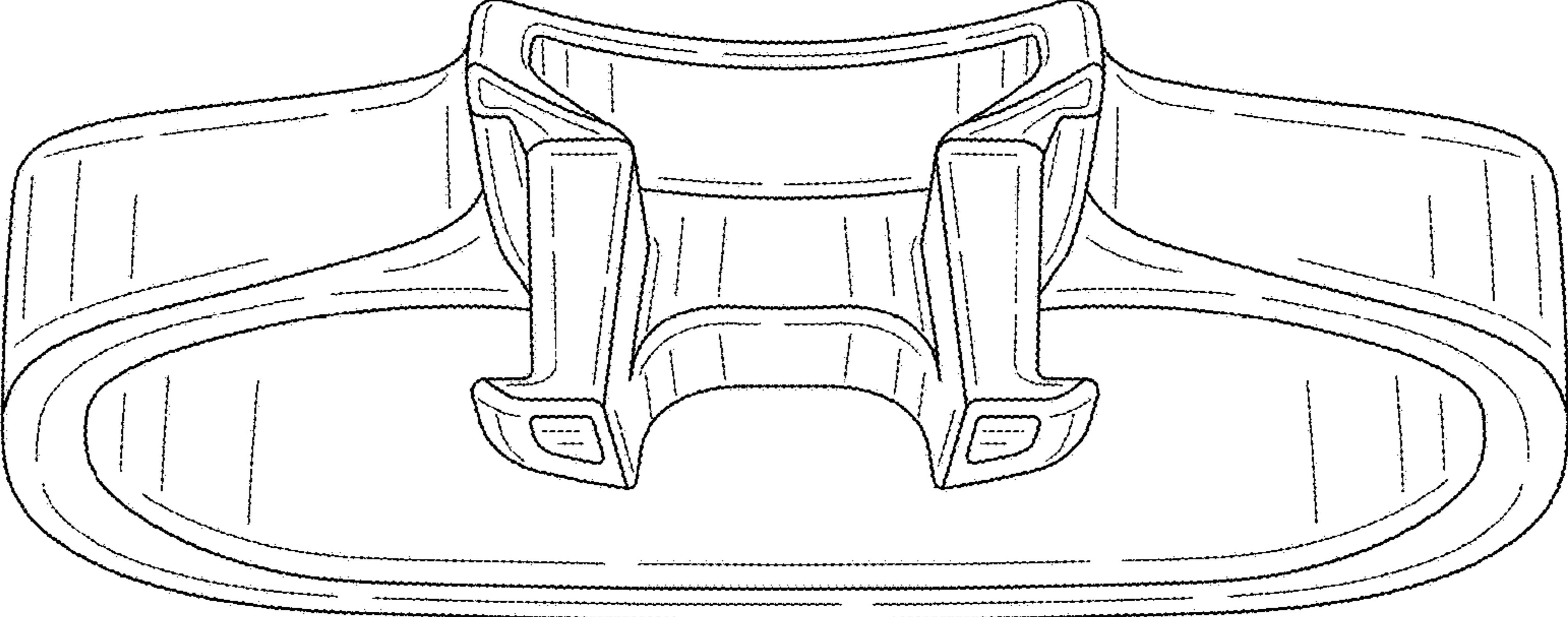


FIG. 7

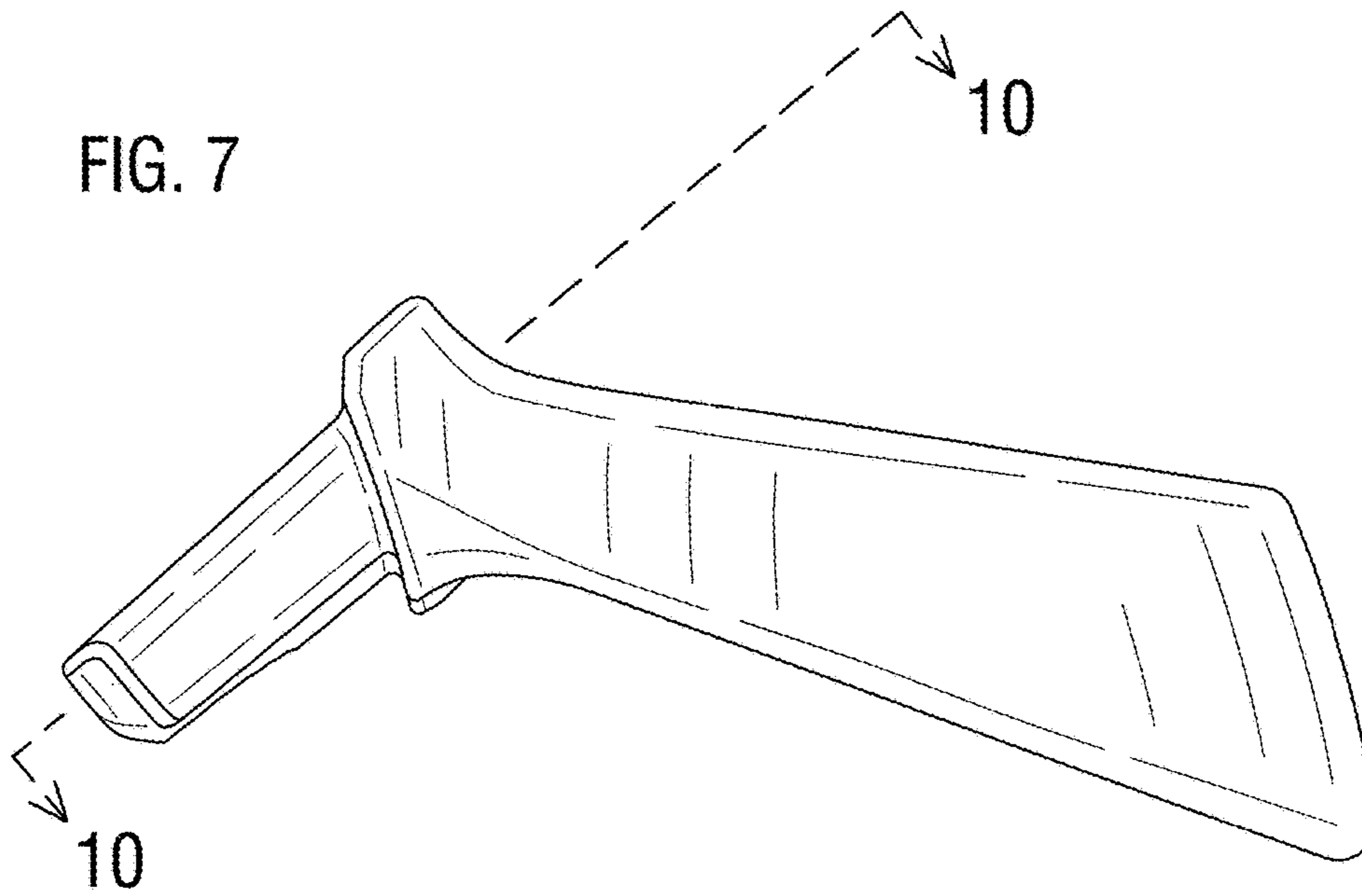


FIG. 8

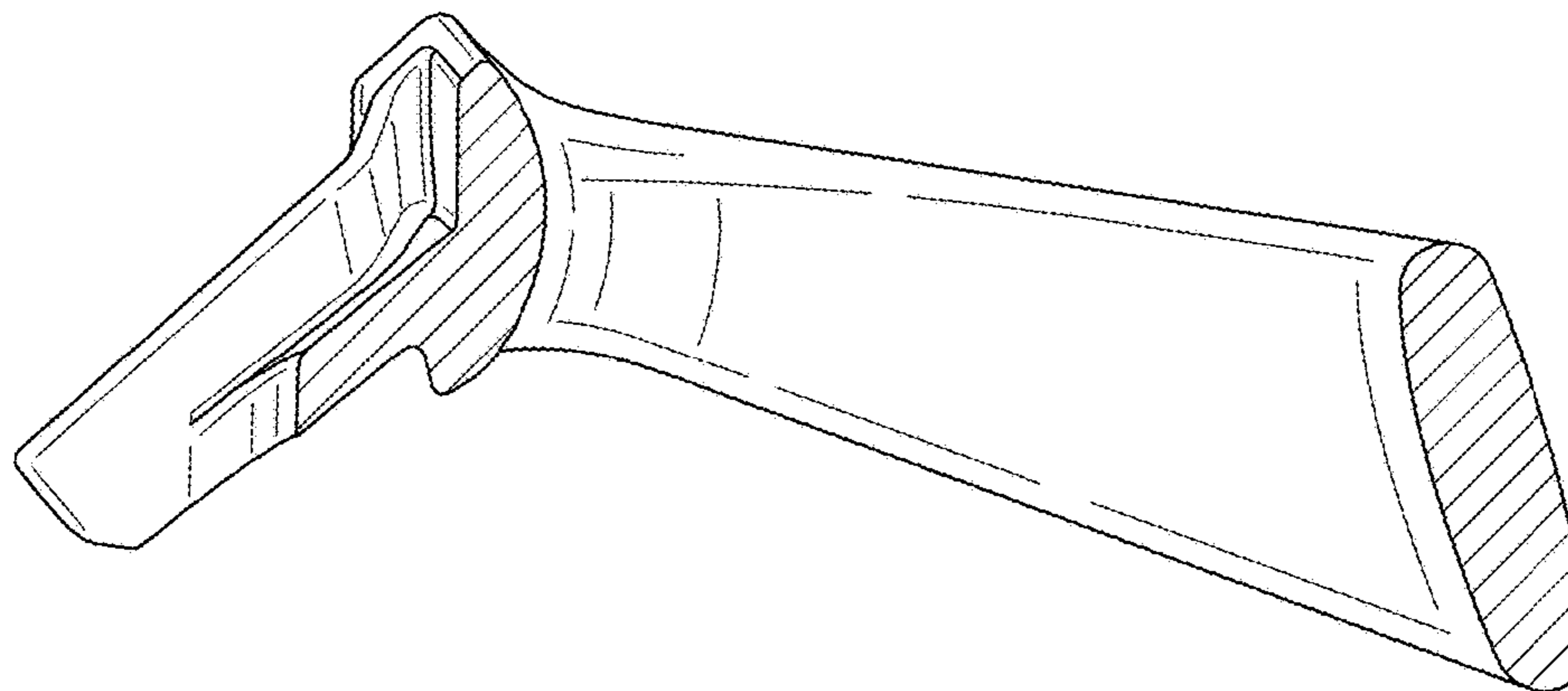


FIG. 9

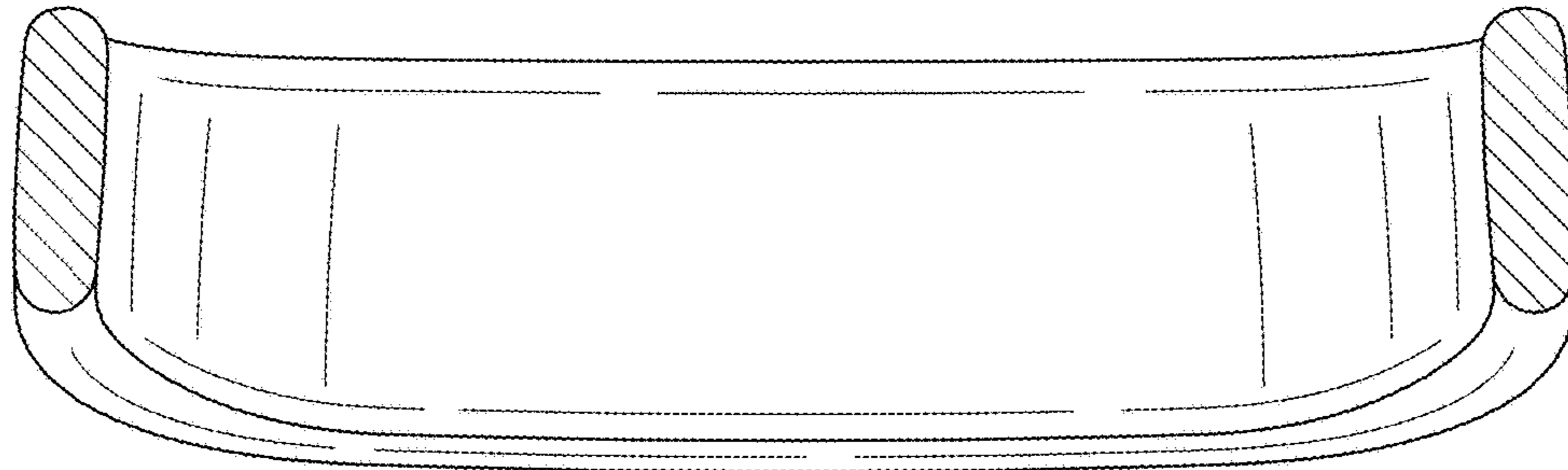


FIG. 10

