



US00D808799S

(12) **United States Design Patent** (10) **Patent No.:** **US D808,799 S**
Pohlman (45) **Date of Patent:** **** Jan. 30, 2018**

(54) **CARTON WITH COLOR STRIPING**

(71) Applicant: **HUNTER FAN COMPANY,**
Memphis, TN (US)

(72) Inventor: **Jennifer Pohlman,** Cincinnati, OH
(US)

(73) Assignee: **Hunter Fan Company,** Memphis, TN
(US)

(**) Term: **15 Years**

(21) Appl. No.: **29/545,872**

(22) Filed: **Nov. 17, 2015**

(51) **LOC (11) Cl.** **09-03**

(52) **U.S. Cl.**
USPC **D9/432**

(58) **Field of Classification Search**
USPC D9/432, 414
CPC B65D 5/0005
See application file for complete search history.

(56) **References Cited**

U.S. PATENT DOCUMENTS

1,667,887 A	5/1928	Fallert	
D87,781 S *	9/1932	Hauck	D9/432
1,913,649 A	6/1933	White	
2,718,348 A *	9/1955	Montfort	B65D 5/02 229/125
3,414,121 A	12/1968	Suzuki	
4,089,322 A	5/1978	Guibert	
4,166,531 A	9/1979	Fujiwara	
4,640,419 A	2/1987	Yang	
4,828,115 A	5/1989	Wiegand et al.	
4,953,698 A	9/1990	Gregorich et al.	
D323,618 S *	2/1992	Arai	D9/432
5,373,894 A	12/1994	Tomatsuri	
5,615,767 A	4/1997	Eull et al.	
6,068,125 A	5/2000	Slaters, Jr. et al.	

6,105,765 A	8/2000	Chu	
6,293,183 B1	9/2001	Noda	
6,296,121 B1	10/2001	Hershey	
D479,463 S	9/2003	Humphrey	
D480,637 S	10/2003	Humphrey	
D481,311 S	10/2003	Humphrey	
6,968,953 B2	11/2005	Humphrey	
7,614,992 B2	11/2009	Chandaria	
9,061,477 B2 *	6/2015	Chandaria	B31B 1/88
D771,488 S *	11/2016	McGarry	D9/432
D781,701 S *	3/2017	Brody	D9/432
D782,299 S *	3/2017	Brody	D9/432
2002/0029544 A1	3/2002	O'Connor et al.	
2002/0064625 A1	5/2002	Goers et al.	
2003/0216236 A1	11/2003	Harding et al.	
2010/0001056 A1	1/2010	Chandaria	
2011/0210024 A1	9/2011	Tanaka et al.	

(Continued)

FOREIGN PATENT DOCUMENTS

CN	2132708 Y	5/1993
CN	3113716	8/1998

(Continued)

Primary Examiner — Cynthia Underwood

(74) *Attorney, Agent, or Firm* — McGarry Bair PC

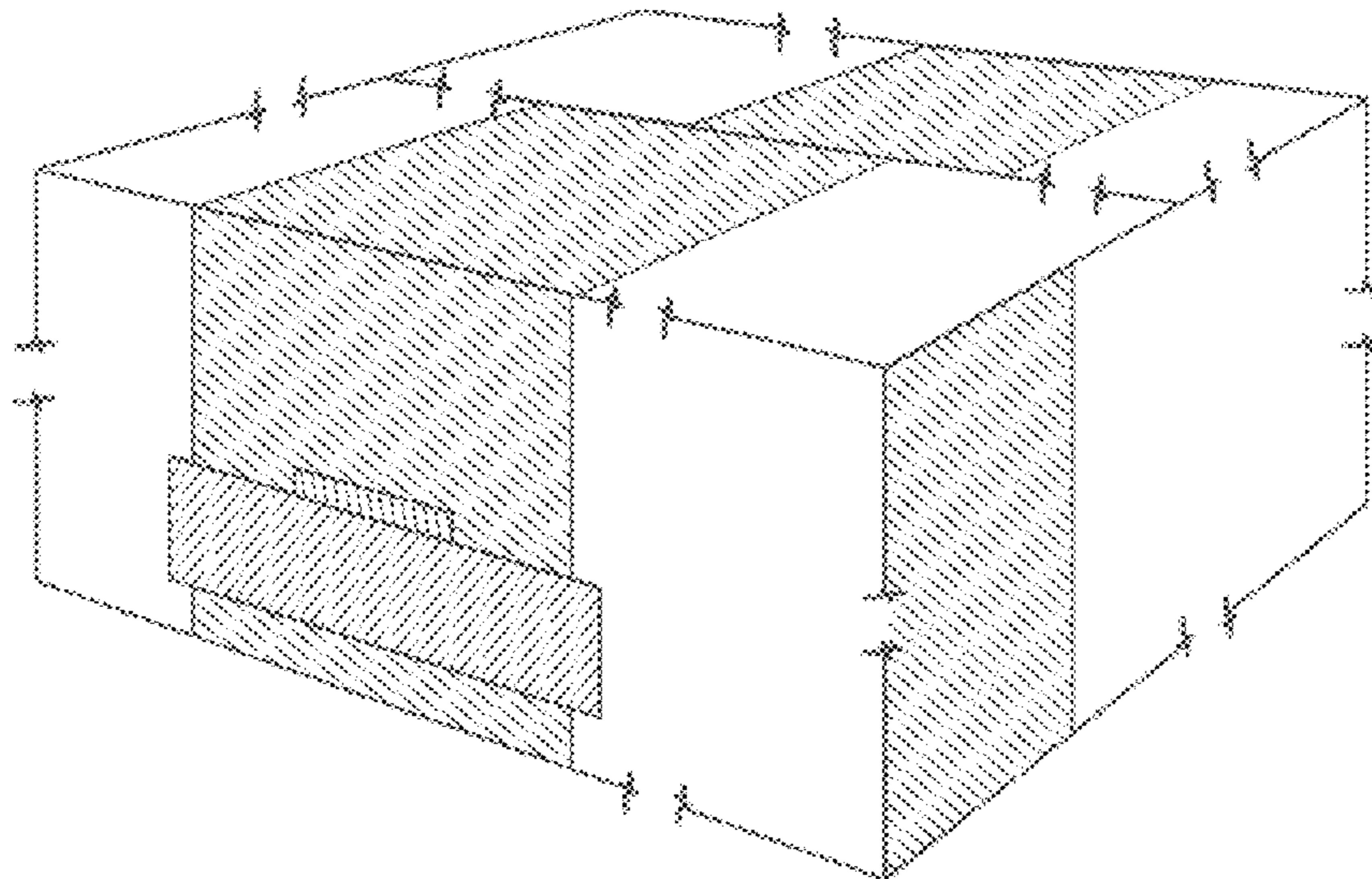
(57) **CLAIM**

The ornamental design for a carton with color striping, as shown and described.

DESCRIPTION

FIG. 1 is a perspective view of a carton with color striping which is indicated by the cross-hatching, and the breaks indicate the variable dimensions of the carton; FIG. 2 is a front view of the carton of FIG. 1; FIG. 3 is a top view of the carton of FIG. 1; and, FIG. 4 is a right side view of the carton of FIG. 1; and the rear view, bottom view, and left side view form no part of the claimed design.

1 Claim, 2 Drawing Sheets



(56)

References Cited

FOREIGN PATENT DOCUMENTS

JP 5270567 A 10/1993
 JP 5338686 A 12/1993
 JP 6072896 U1 10/1994
 JP 6286786 A 10/1994
 JP 6286787 A 10/1994
 JP 6312767 A 11/1994
 JP 0687288 U 12/1994
 JP 7017569 A 1/1995
 JP 0741074 A 2/1995
 JP 7125789 A 5/1995
 JP 7172483 A 7/1995
 JP 7257648 A 10/1995
 JP 8011975 A 1/1996
 JP 8011976 A 1/1996
 JP 8058771 A 3/1996
 JP 8072804 A 3/1996
 JP 8074796 A 3/1996
 JP 8136006 A 5/1996
 JP 8198328 A 8/1996
 JP 8198371 A 8/1996
 JP 0948487 A 2/1997
 JP 0995383 A 4/1997
 JP 9142565 A 6/1997
 JP 9150831 A 6/1997
 JP 10045166 A 2/1998
 JP 1081389 A 3/1998
 JP 10077088 A 3/1998
 JP 10230990 A 9/1998
 JP 10236571 A 9/1998
 JP 10236572 A 9/1998
 JP 10250767 A 9/1998
 JP 10273169 A 10/1998
 JP 10316191 A 12/1998
 JP 1179165 A 3/1999
 JP 11171251 A 6/1999
 JP 11171285 A 6/1999
 JP 11227866 A 8/1999
 JP 11263376 A 9/1999
 JP 11292058 A 10/1999

JP 11292061 A 10/1999
 JP 2000016461 A 1/2000
 JP 2000025879 A 1/2000
 JP 2000109166 A 4/2000
 JP 2000313479 A 11/2000
 JP 2001261088 A 9/2001
 JP 2002002811 A 1/2002
 JP 2002087488 A 3/2002
 JP 2002096889 A 4/2002
 JP 2002096890 A 4/2002
 JP 2002104516 A 4/2002
 JP 2002104571 A 4/2002
 JP 2002160792 A 6/2002
 JP 2002337957 A 11/2002
 JP 2003104481 A 4/2003
 JP 2003104482 A 4/2003
 JP 2003118770 A 4/2003
 JP 2003137384 A 5/2003
 JP 2003200989 A 7/2003
 JP 2003300576 A 10/2003
 JP 2004026167 A 1/2004
 JP 2004035048 A 2/2004
 JP 2005029190 A 2/2005
 JP 2005096821 A 4/2005
 JP 2005324800 A 11/2005
 JP 2005343498 A 12/2005
 JP 2006089096 A 4/2006
 JP 2007001626 A 1/2007
 JP 2007008525 A 1/2007
 JP 2008285184 A 11/2008
 JP 2010047311 A 3/2010
 JP 2010202210 A 9/2010
 JP 2010235155 A 10/2010
 JP 2010260555 A 11/2010
 JP 2012096842 A 5/2012
 JP 2013159379 A 8/2013
 JP 2013230850 A 11/2013
 JP 2013231553 A 11/2013
 JP 2013231554 A 11/2013
 JP 2014001010 A 1/2014
 WO 2004103851 A1 12/2004

* cited by examiner

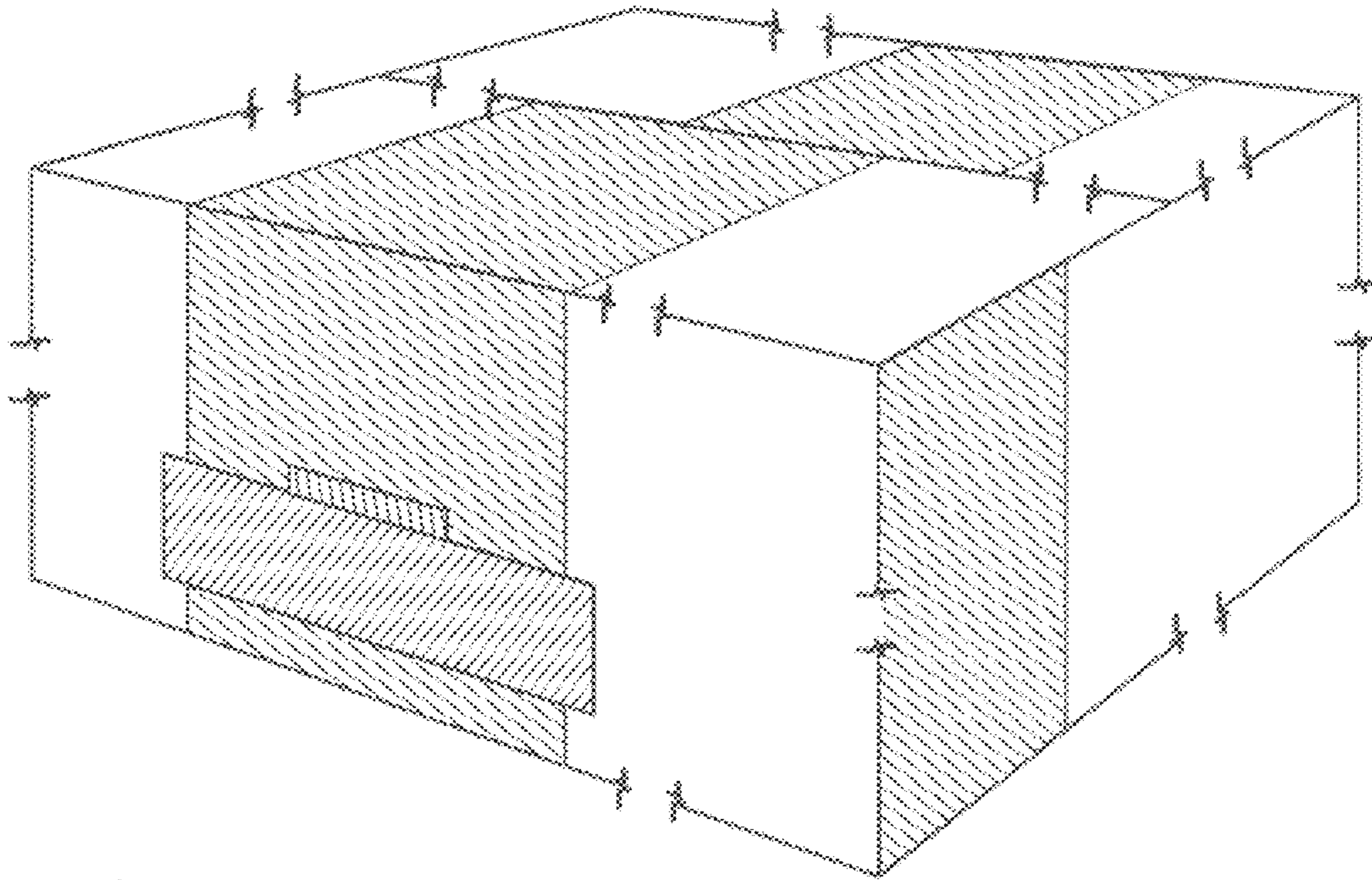


FIG. 1

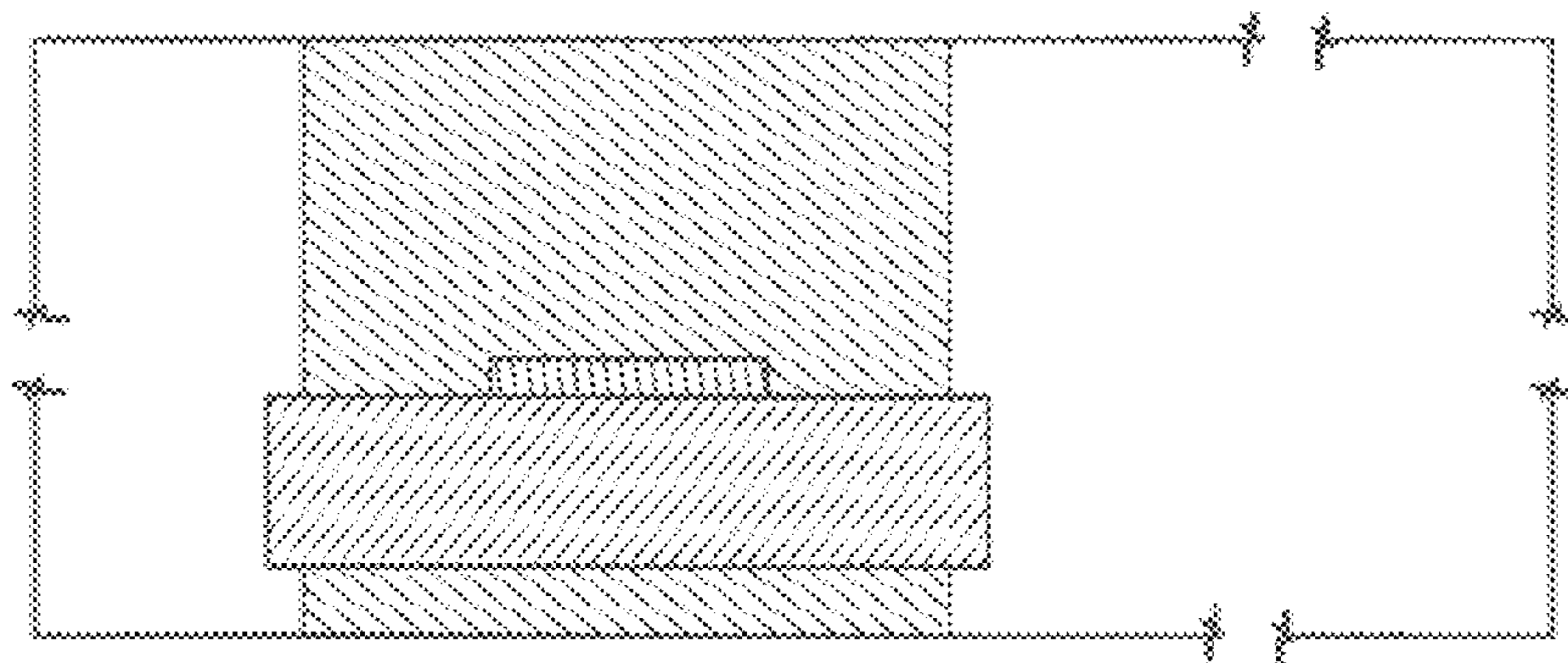


FIG. 2

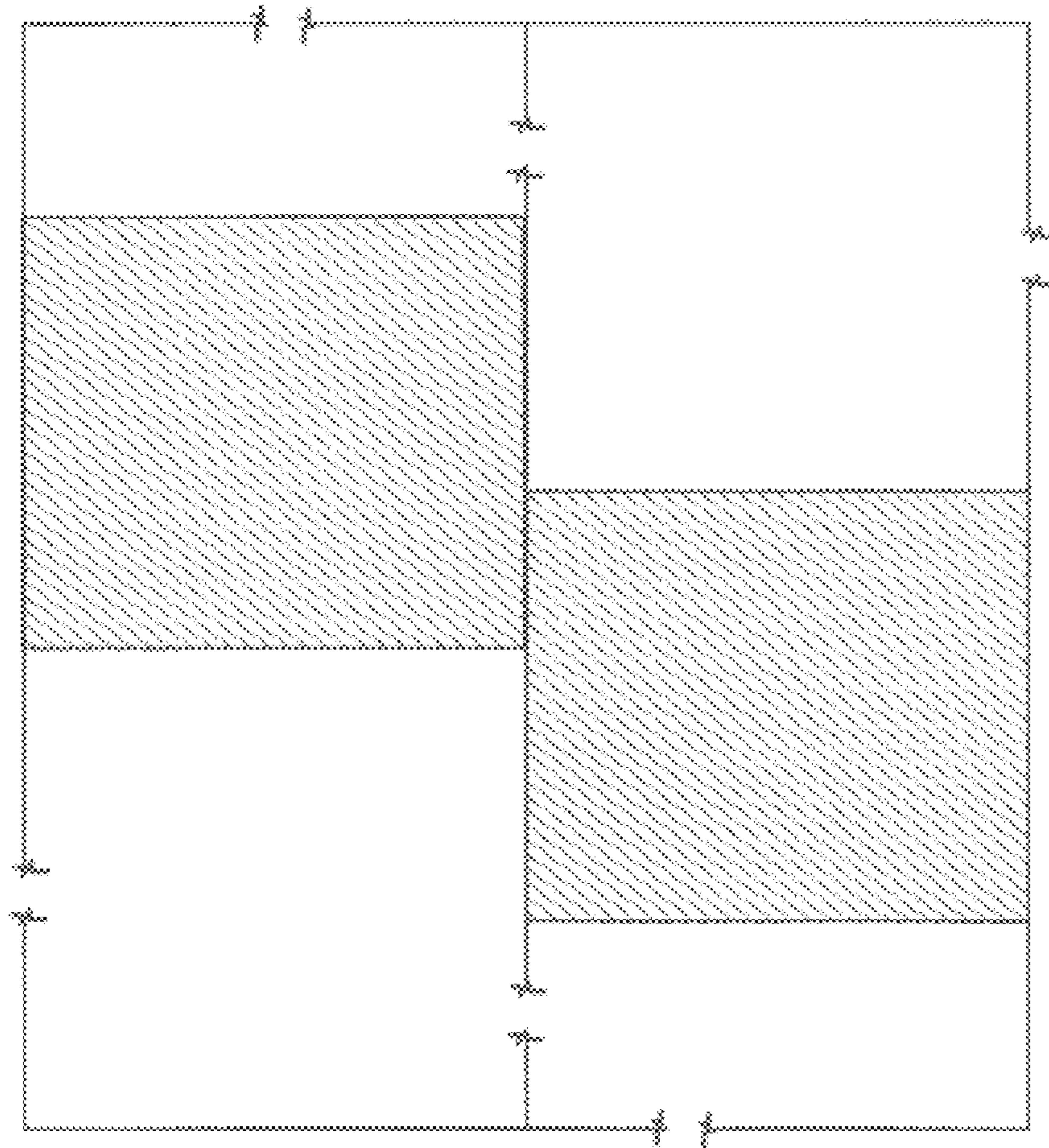


FIG. 3

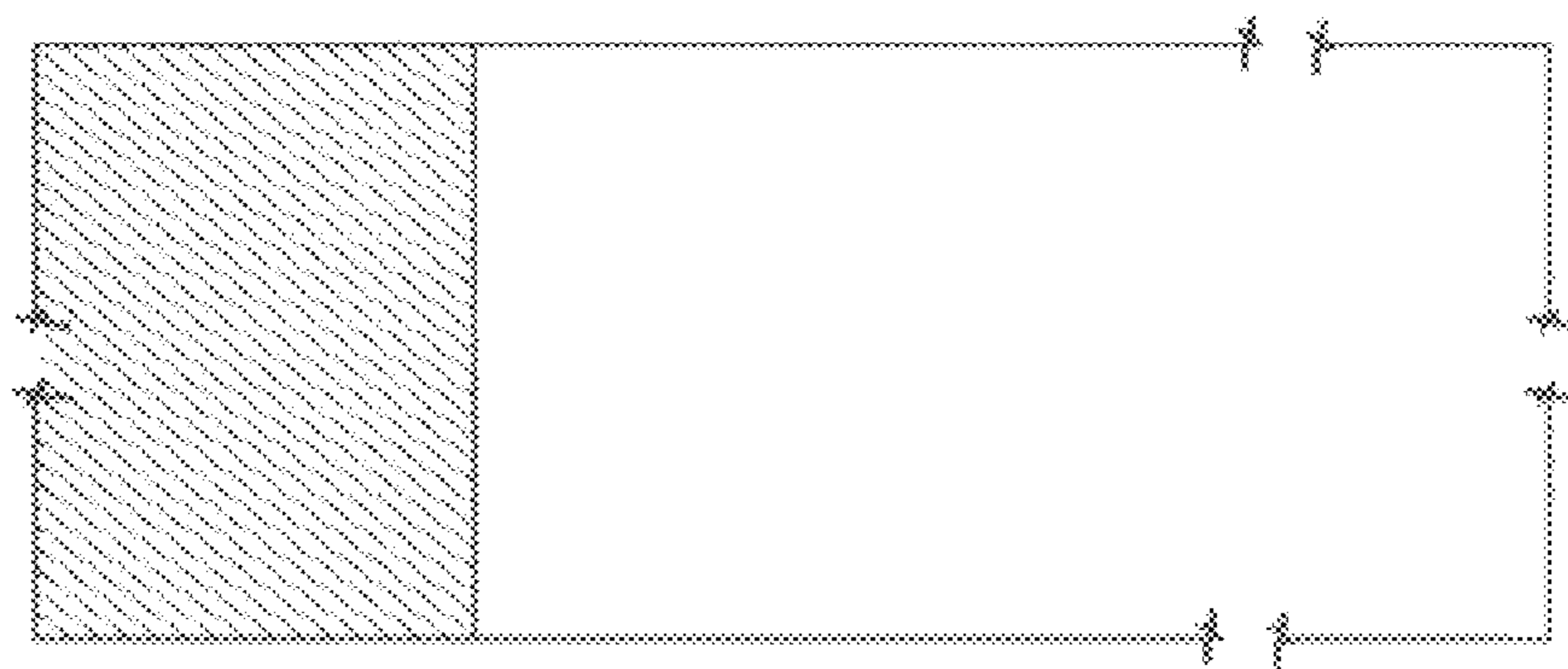


FIG. 4