



US00D808798S

(12) **United States Design Patent**
Muzzall et al.

(10) **Patent No.:** **US D808,798 S**
(45) **Date of Patent:** **** Jan. 30, 2018**

(54) **FLORAL CONTAINER**
(71) Applicant: **PROVIDE COMMERCE, INC.**, San Diego, CA (US)
(72) Inventors: **Shane Muzzall**, San Diego, CA (US); **Huan H. Tran**, Atlanta, GA (US)
(73) Assignee: **PROVIDE COMMERCE, INC.**, San Diego, CA (US)
(**) Term: **15 Years**

D437,554 S * 2/2001 Milton D9/420
D438,464 S * 3/2001 Newhouse D3/273
D488,062 S * 4/2004 Shannon D9/415
D566,391 S * 4/2008 McGee D3/271.6
D575,509 S * 8/2008 Evans D3/271.6
D578,876 S * 10/2008 Ambelang D9/418
D606,855 S * 12/2009 Jo D9/423
D618,543 S * 6/2010 Polaski D9/418
D619,891 S * 7/2010 Lynn D9/432
D675,514 S * 2/2013 Baker D9/416
D685,633 S * 7/2013 Thomas D9/416
D690,590 S * 10/2013 Fux D9/431
D721,954 S * 2/2015 Kauanui D9/431
2003/0111521 A1* 6/2003 Holmes B65D 5/0254
229/117

(21) Appl. No.: **29/560,661**
(22) Filed: **Apr. 8, 2016**
(51) **LOC (11) Cl.** **09-03**
(52) **U.S. Cl.**
USPC **D9/430**
(58) **Field of Classification Search**
USPC D9/414–434, 442–445, 456, 457, 542,
D9/563, 600, 614–624, 655, 657, 658,
D9/661, 695, 697–699, 707, 708, 711,
D9/754, 759, 772–776; D3/273, 276,
D3/304, 310–313; D7/601, 602
CPC B65D 5/00; B65D 5/001; B65D 5/0015;
B65D 5/1209; B65D 5/0227–5/0254;
B65D 5/18
See application file for complete search history.

OTHER PUBLICATIONS

Gable Top Auto Bottom. [online] Published date unknown. Retrieved on Dec. 12, 2016 from <URL:http://www.printboxpackageing.com/gable-top-auto-bottom.html>.*

* cited by examiner

Primary Examiner — Vy N Koenig
Assistant Examiner — Omeed Agilee
(74) *Attorney, Agent, or Firm* — Sanjeev K. Dhand;
Dhand Law PC

(57) **CLAIM**

The ornamental design for a floral container, as shown and described.

(56) **References Cited**

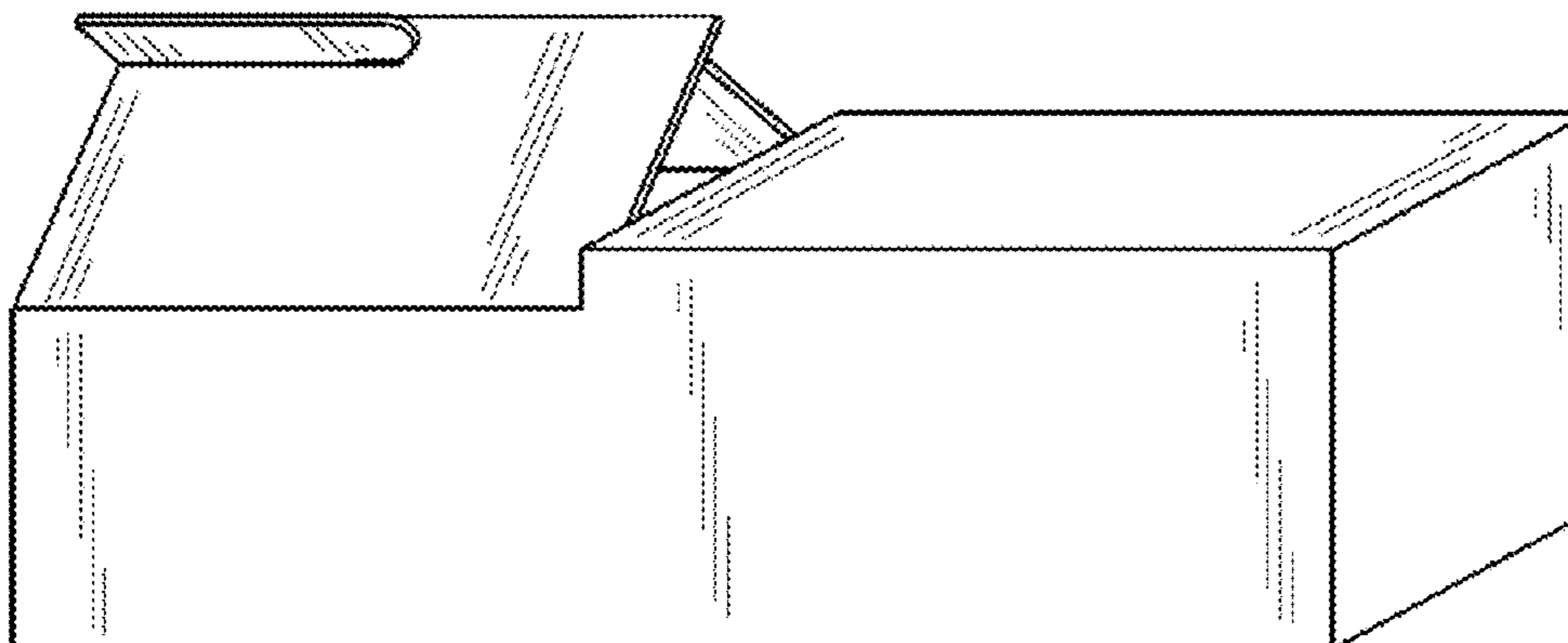
U.S. PATENT DOCUMENTS

5,392,984 A * 2/1995 Yocum B65D 5/46112
229/117.14
5,520,284 A * 5/1996 Gray B65D 5/001
206/509
D371,965 S * 7/1996 Kinni D9/432
5,836,478 A * 11/1998 Weiss B65D 5/725
221/155
6,036,085 A * 3/2000 Tsao B65D 5/46096
229/117.14
D425,413 S * 5/2000 Heeley D9/415

DESCRIPTION

FIG. 1 is a front, top, and left perspective view of a floral container, showing our new design;
FIG. 2 is a front side elevational view thereof;
FIG. 3 is a rear side elevational view thereof;
FIG. 4 is a left side elevational view thereof;
FIG. 5 is a right side elevational view thereof;
FIG. 6 is a top plan view thereof, and,
FIG. 7 is a bottom plan view thereof.

1 Claim, 3 Drawing Sheets



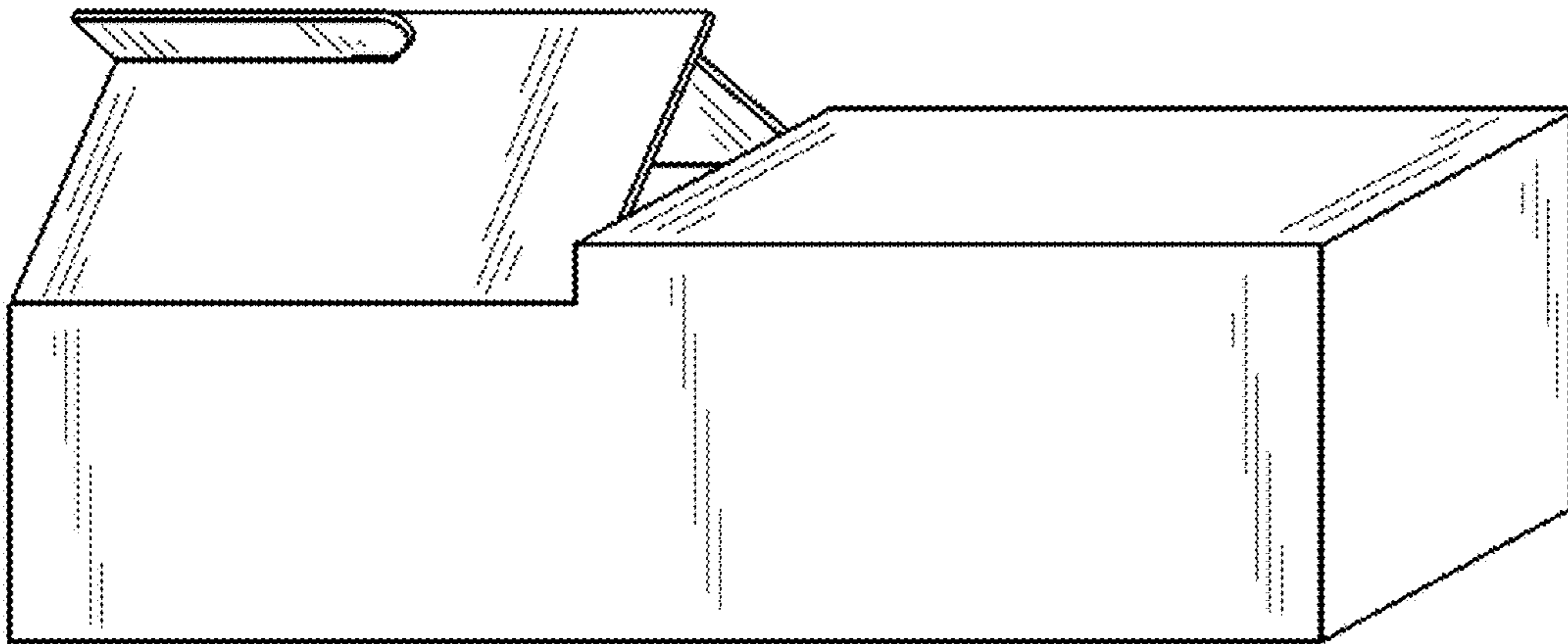


FIG. 1

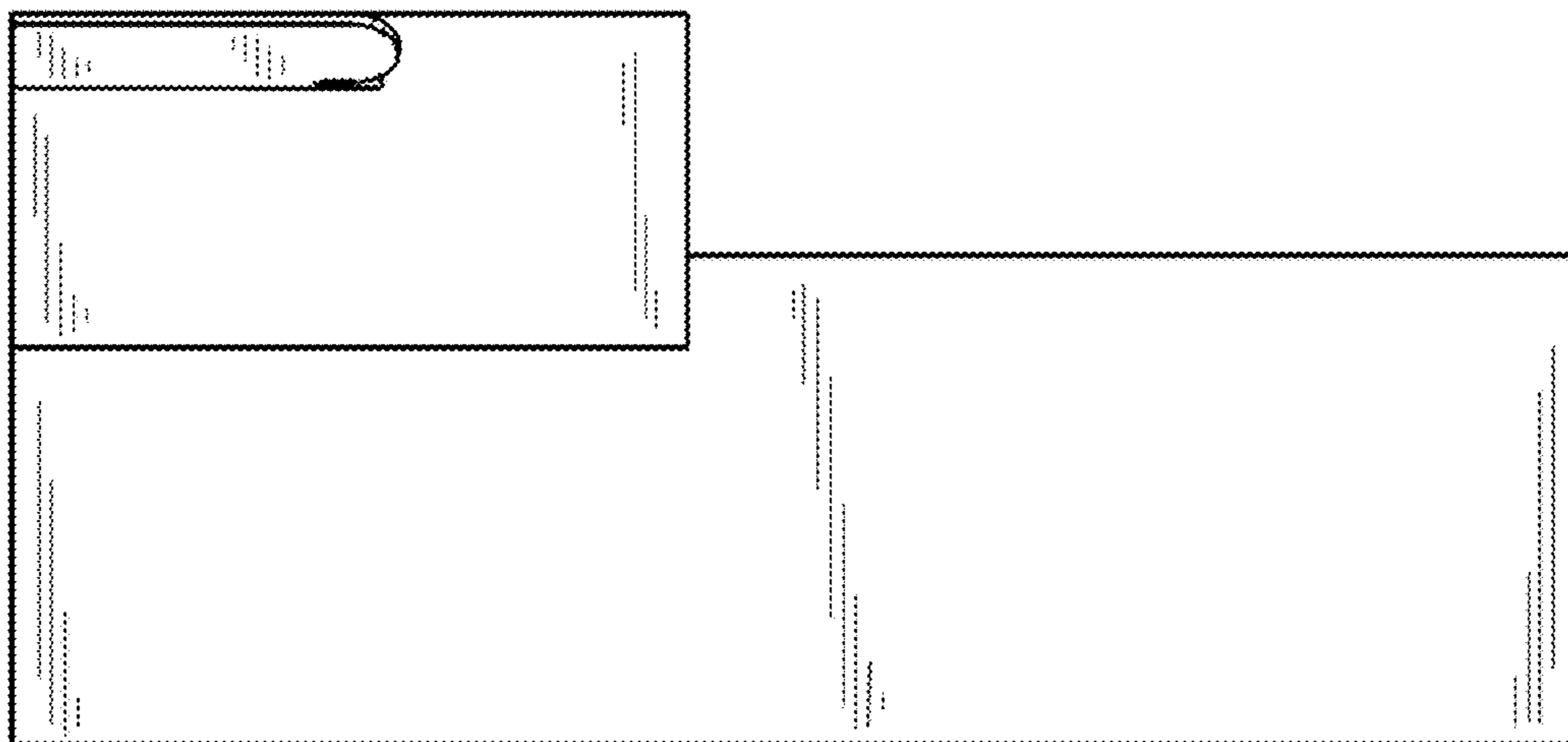


FIG. 2

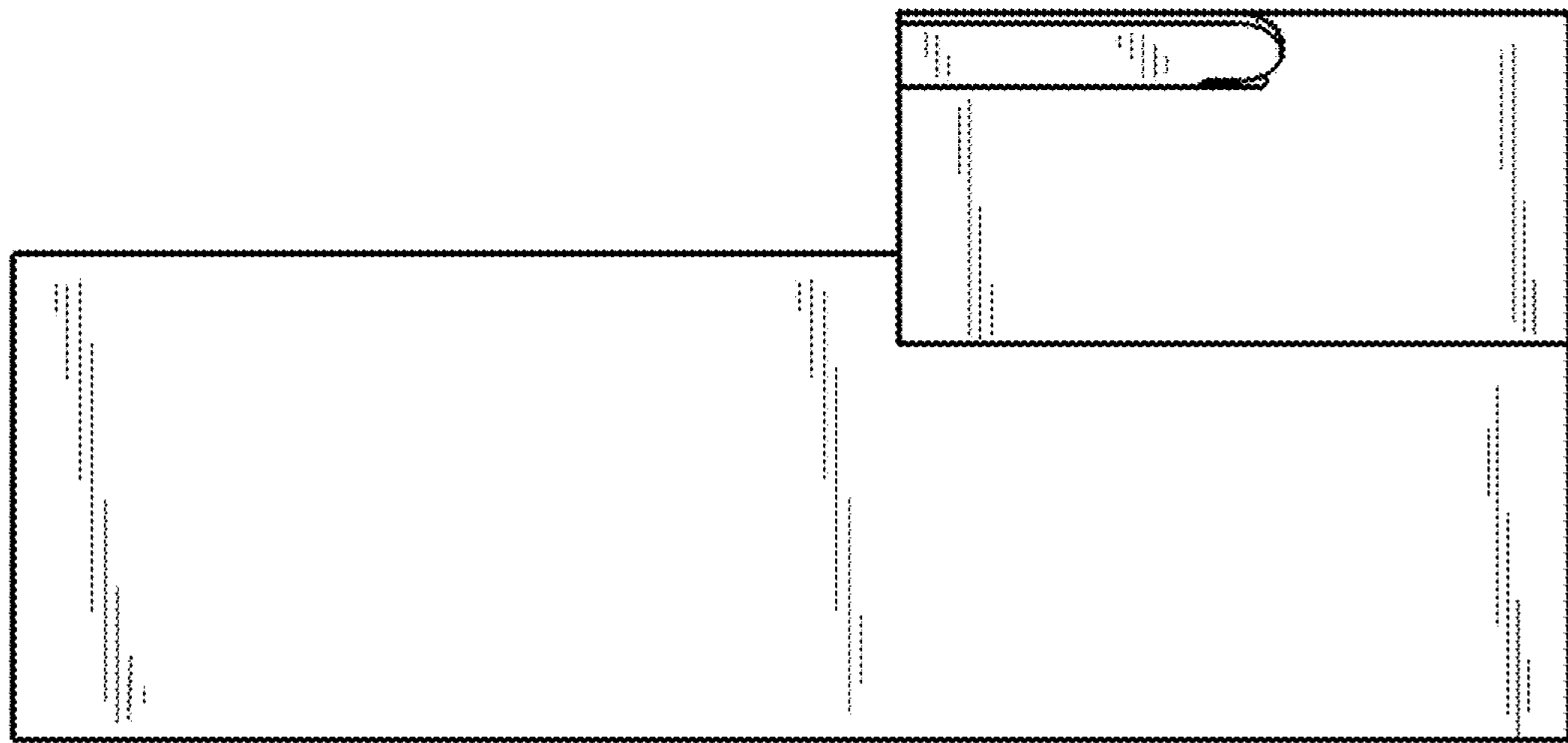


FIG. 3

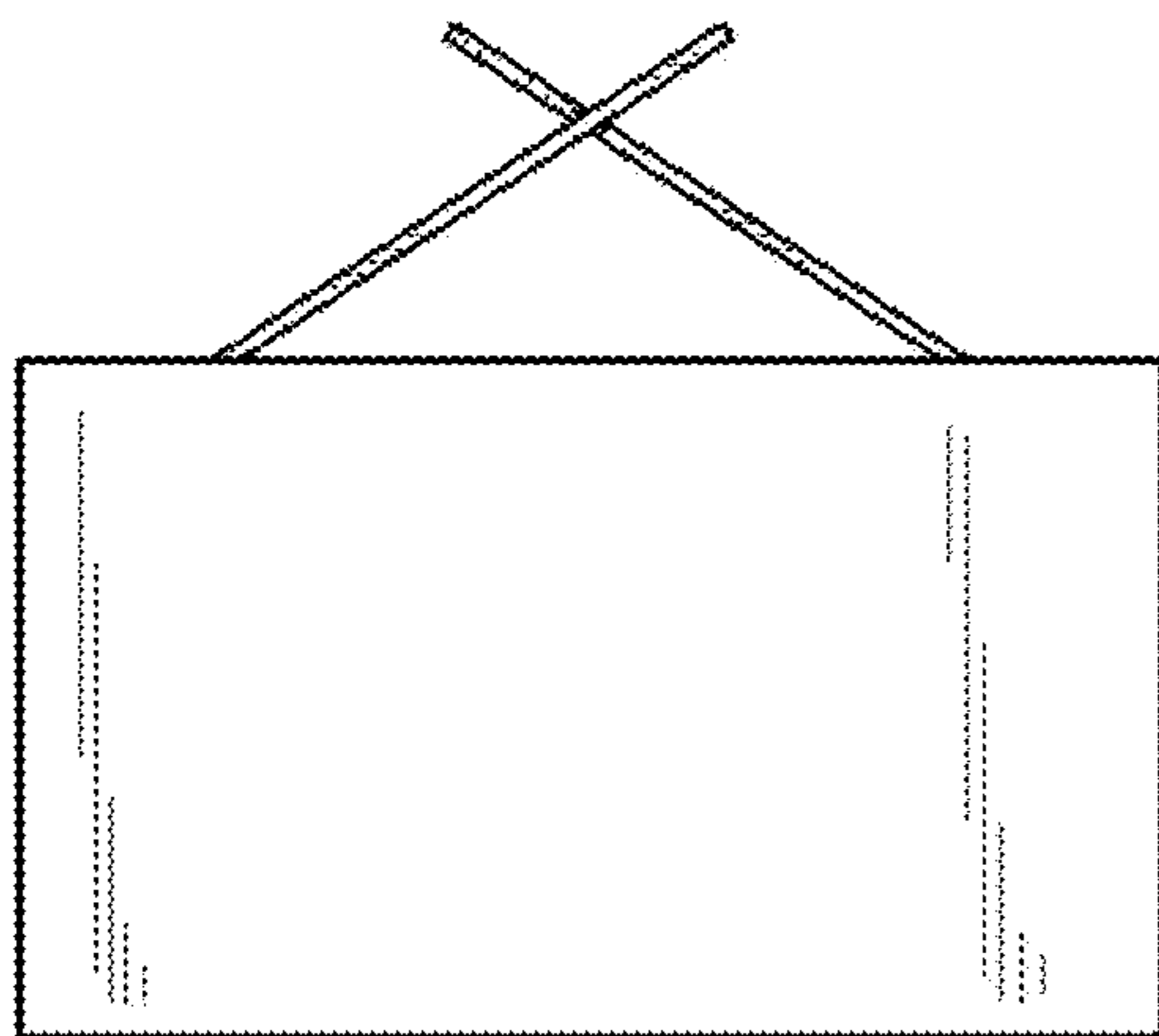


FIG. 4

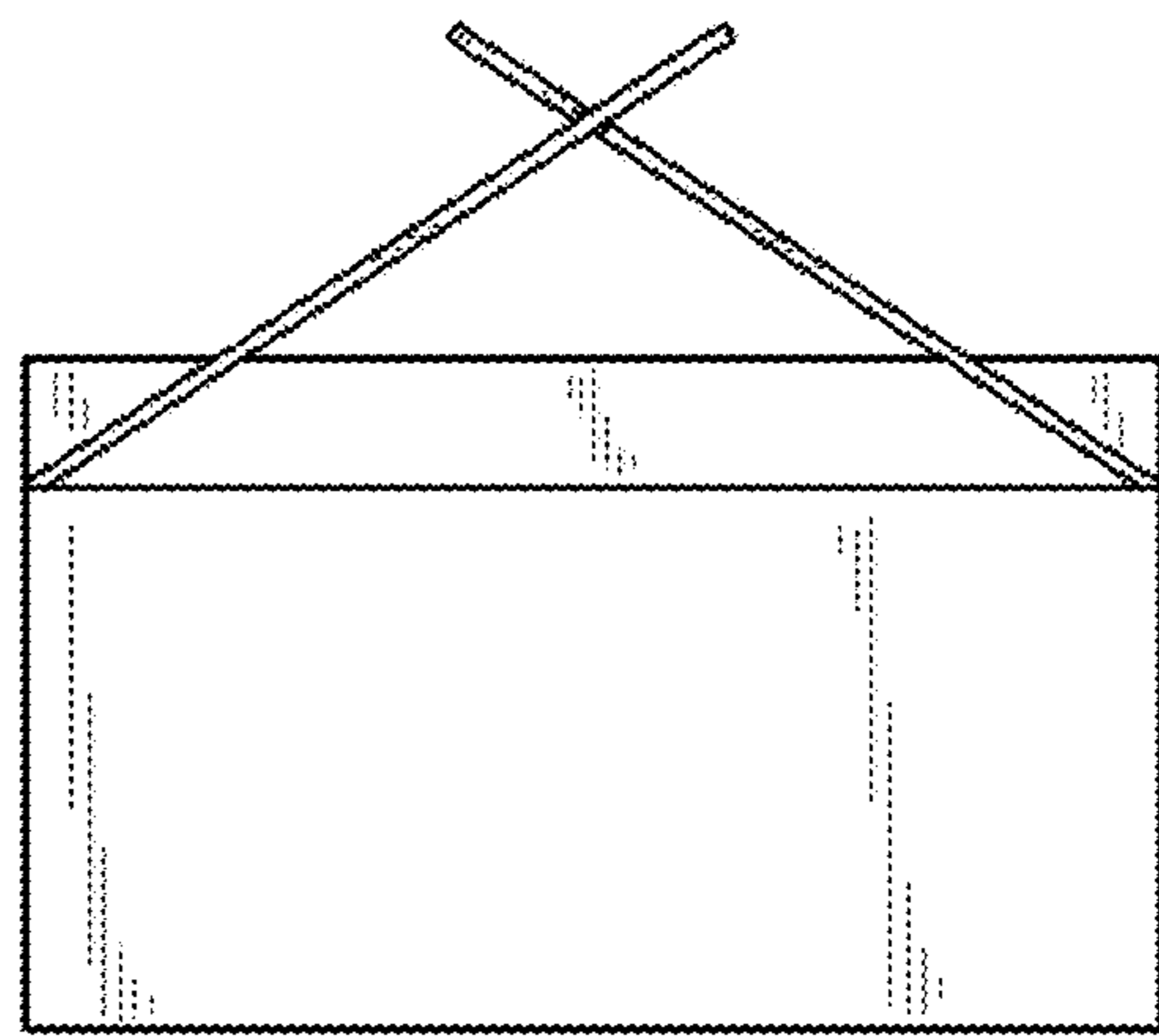


FIG. 5

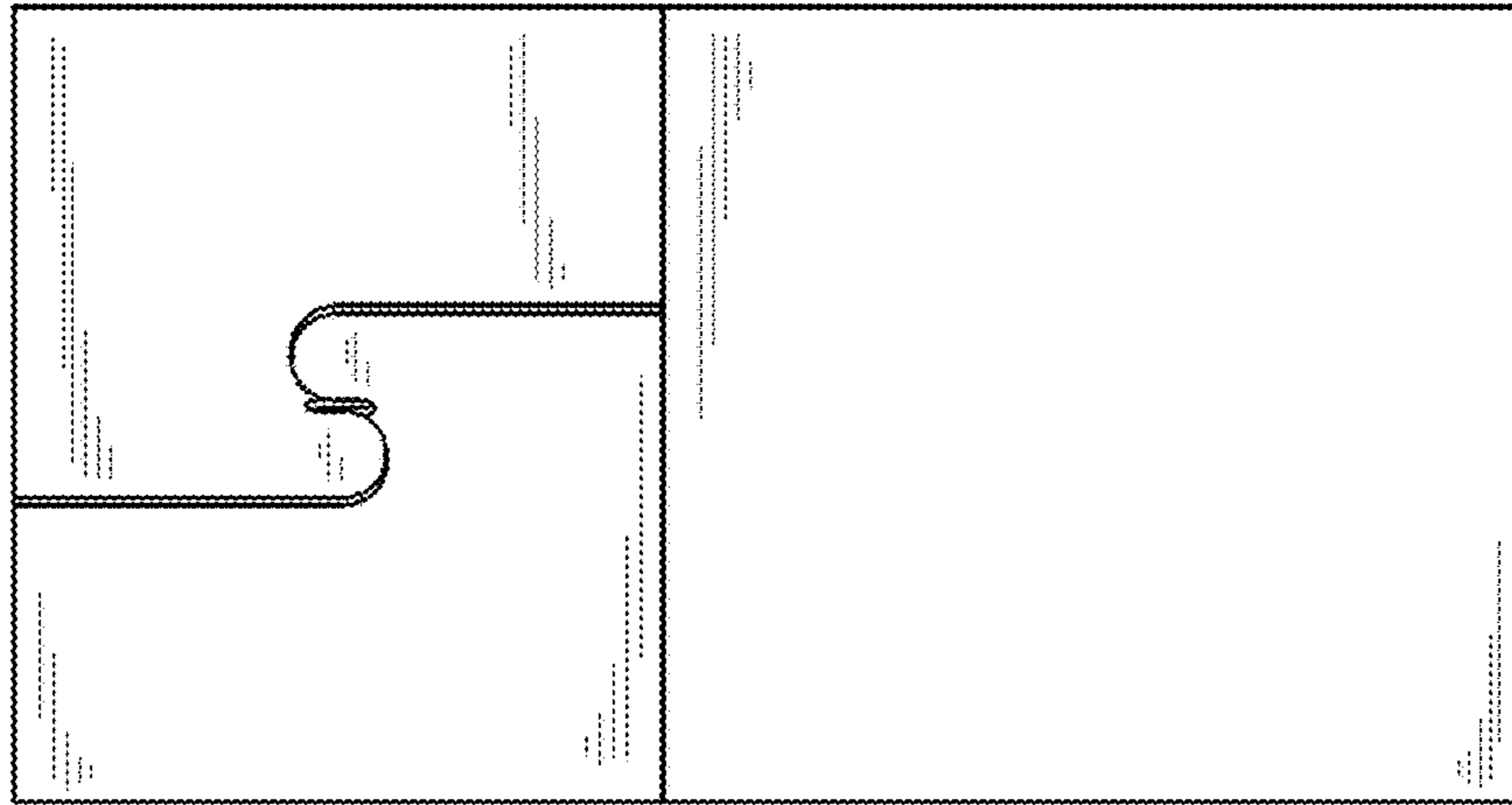


FIG. 6

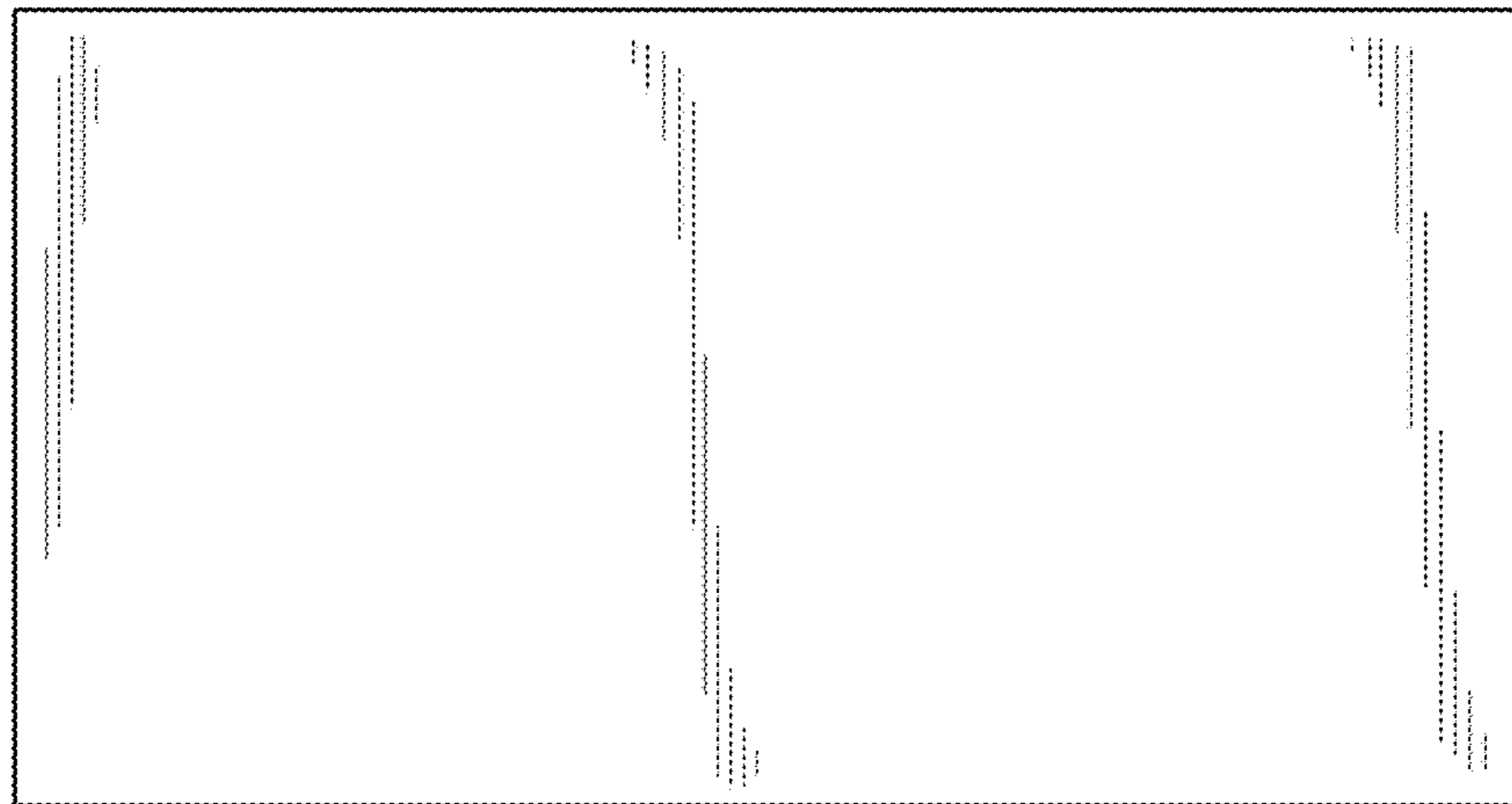


FIG. 7