



US00D808797S

(12) **United States Design Patent**
Rippin

(10) **Patent No.:** **US D808,797 S**

(45) **Date of Patent:** **** Jan. 30, 2018**

(54) **COFFEE CAPSULE**

(71) Applicant: **Constantia Aloform GmbH**, Werdohl (DE)

(72) Inventor: **Ralf Rippin**, Meinerzhagen (DE)

(73) Assignee: **Constantia Aloform GmbH**, Werdohl (DE)

(**) Term: **15 Years**

(21) Appl. No.: **29/565,363**

(22) Filed: **May 19, 2016**

(51) **LOC (11) Cl.** **09-03**

(52) **U.S. Cl.**
USPC **D9/429**

(58) **Field of Classification Search**
USPC D7/538-545, 602, 608, 629, 641;
D9/396.1, 414, 420, 424-426, 429, 432,
D9/761; 206/501-509; 220/781, 791,
220/793, 811-813, 835, 839
CPC B65D 1/24; B65D 25/04; B65D 43/03;
B65D 43/16; B65D 43/0212
See application file for complete search history.

(56) **References Cited**

U.S. PATENT DOCUMENTS

D194,247 S * 12/1962 Eicholtz D9/429
D216,003 S * 11/1969 Smith D9/429
4,715,144 A * 12/1987 Lee A01G 9/021
47/66.6

D298,303 S * 11/1988 Lee D11/152
D325,181 S * 4/1992 Lee D11/152
D342,447 S * 12/1993 Aylward D9/429
D404,682 S * 1/1999 Baran D11/152
D438,794 S * 3/2001 Miles D9/425
D505,882 S * 6/2005 Hensen D11/152
D515,970 S * 2/2006 Hensen D11/153
D697,797 S * 1/2014 Hansen D9/429

* cited by examiner

Primary Examiner — Derrick Holland

Assistant Examiner — Janice Patyk

(74) *Attorney, Agent, or Firm* — Dascenzo Intellectual Property Law, P.C.

(57) **CLAIM**

The ornamental design for a coffee capsule, as shown and described.

DESCRIPTION

FIG. 1 is a top isometric view of a coffee capsule showing the new design.

FIG. 2 is a bottom isometric view thereof.

FIG. 3 is a side view thereof.

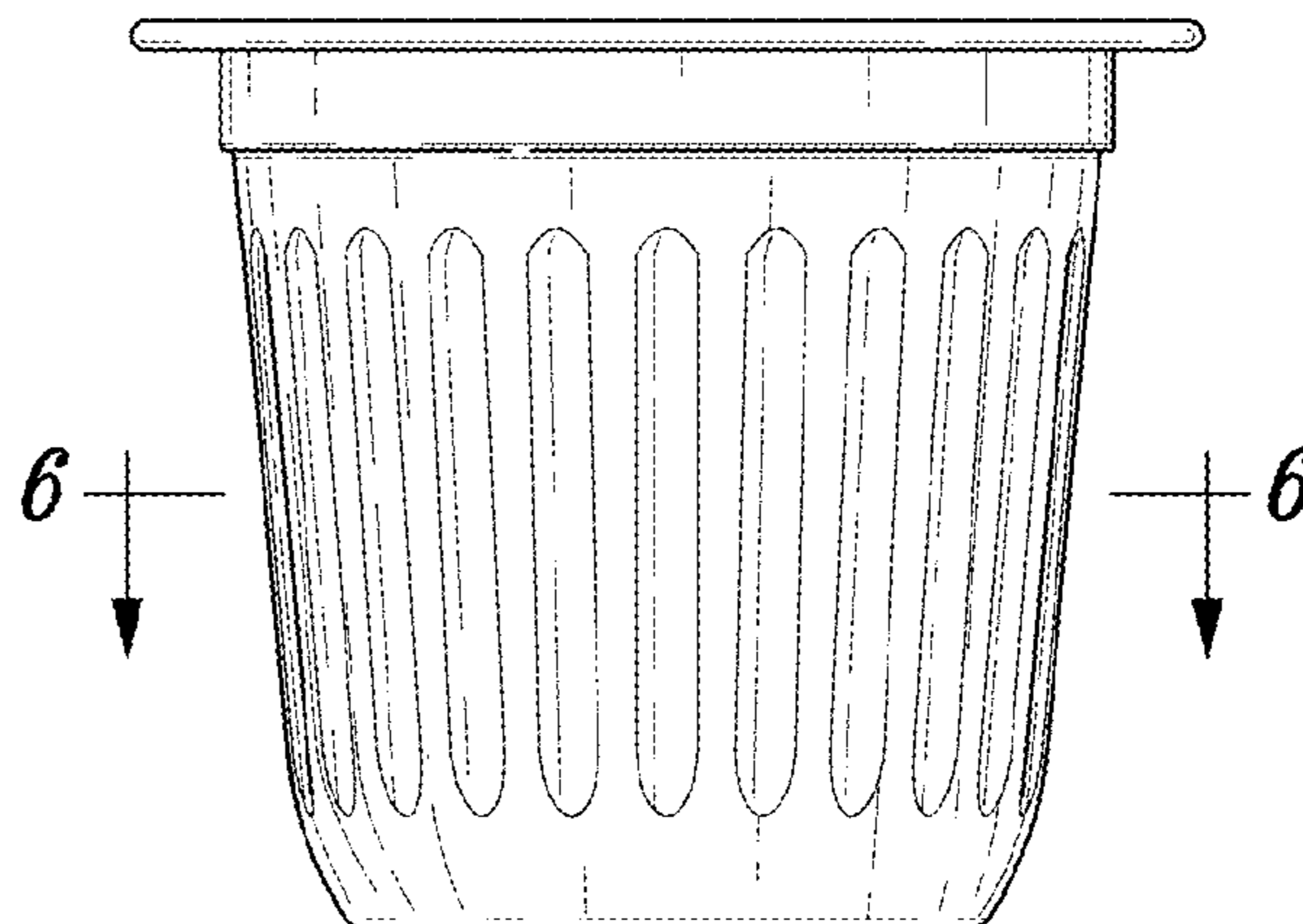
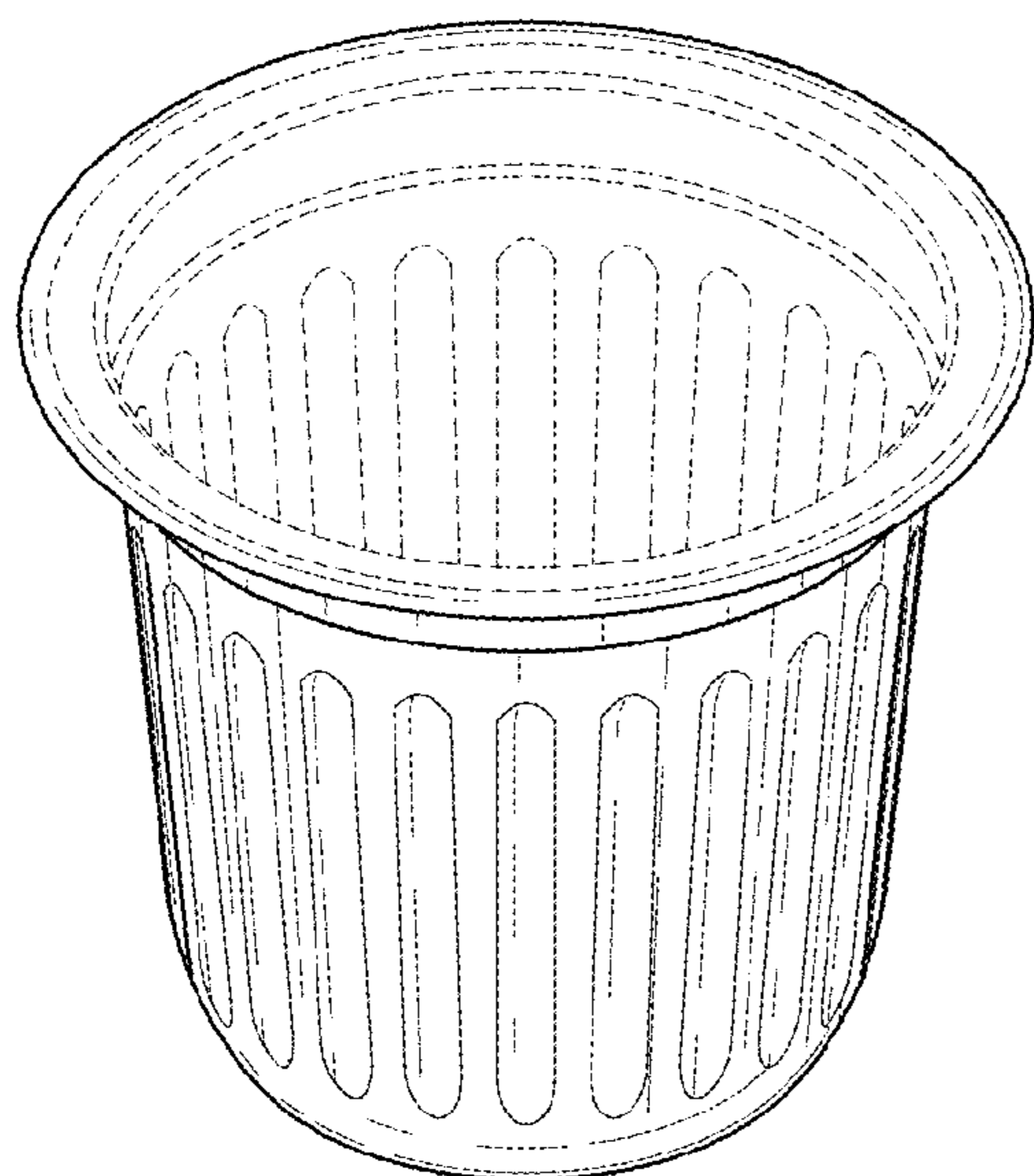
FIG. 4 is a bottom view thereof.

FIG. 5 is a top view thereof; and,

FIG. 6 is a cross-sectional view thereof taken at line 6-6 of FIG. 3.

The broken lines shown in the drawings illustrate portions of the coffee capsule that form no part of the claimed design.

1 Claim, 2 Drawing Sheets



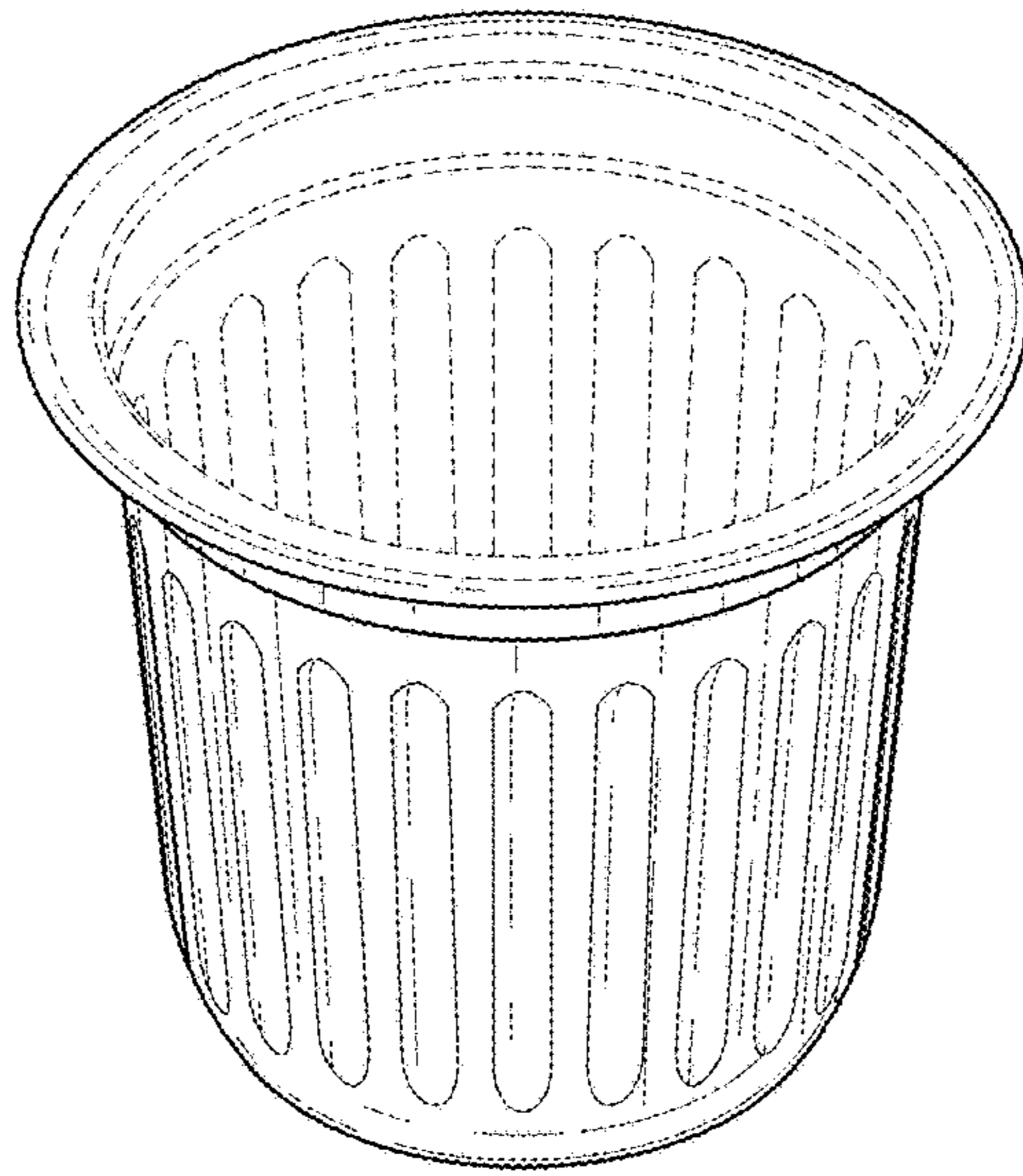


Fig. 1

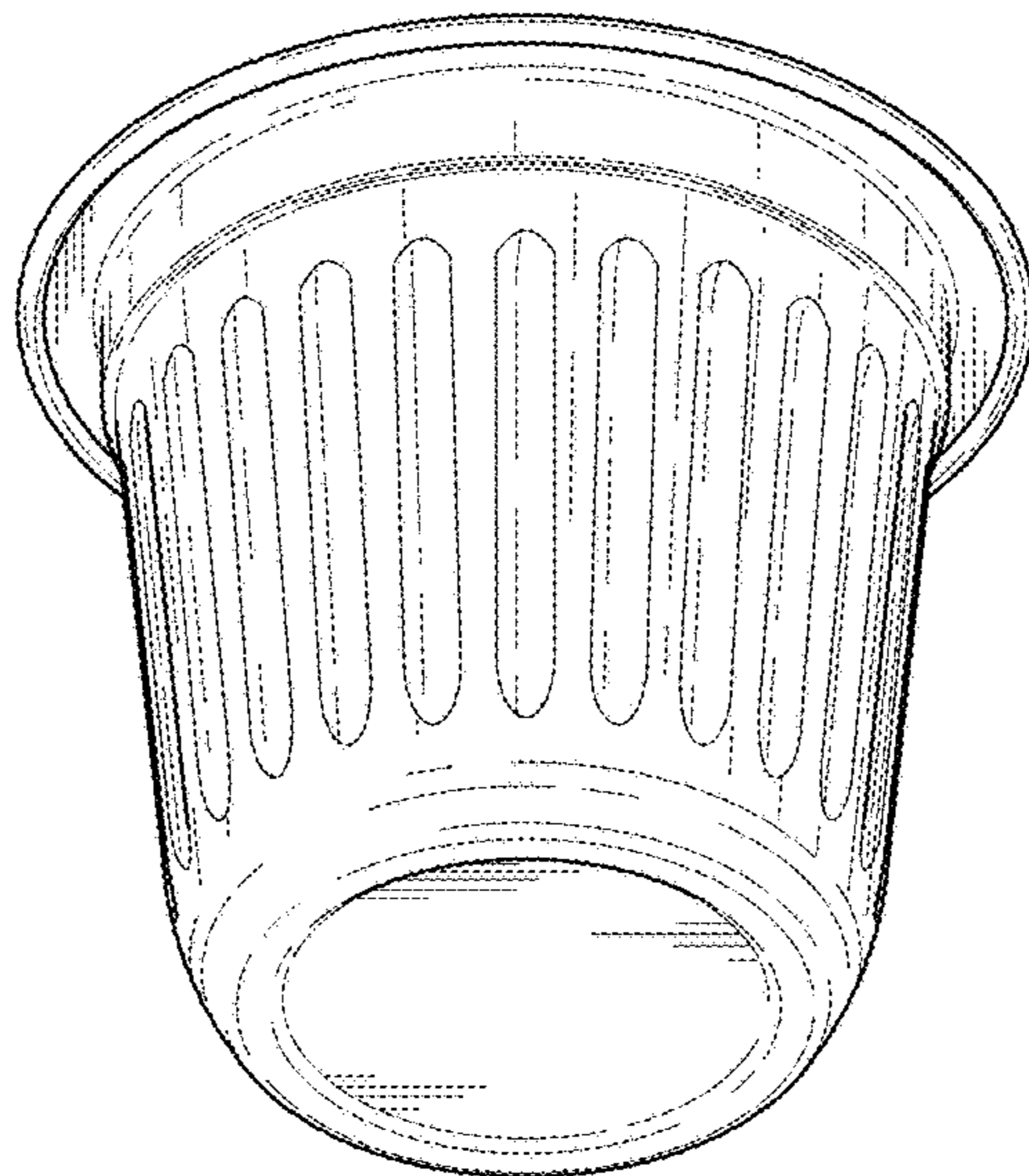


Fig. 2

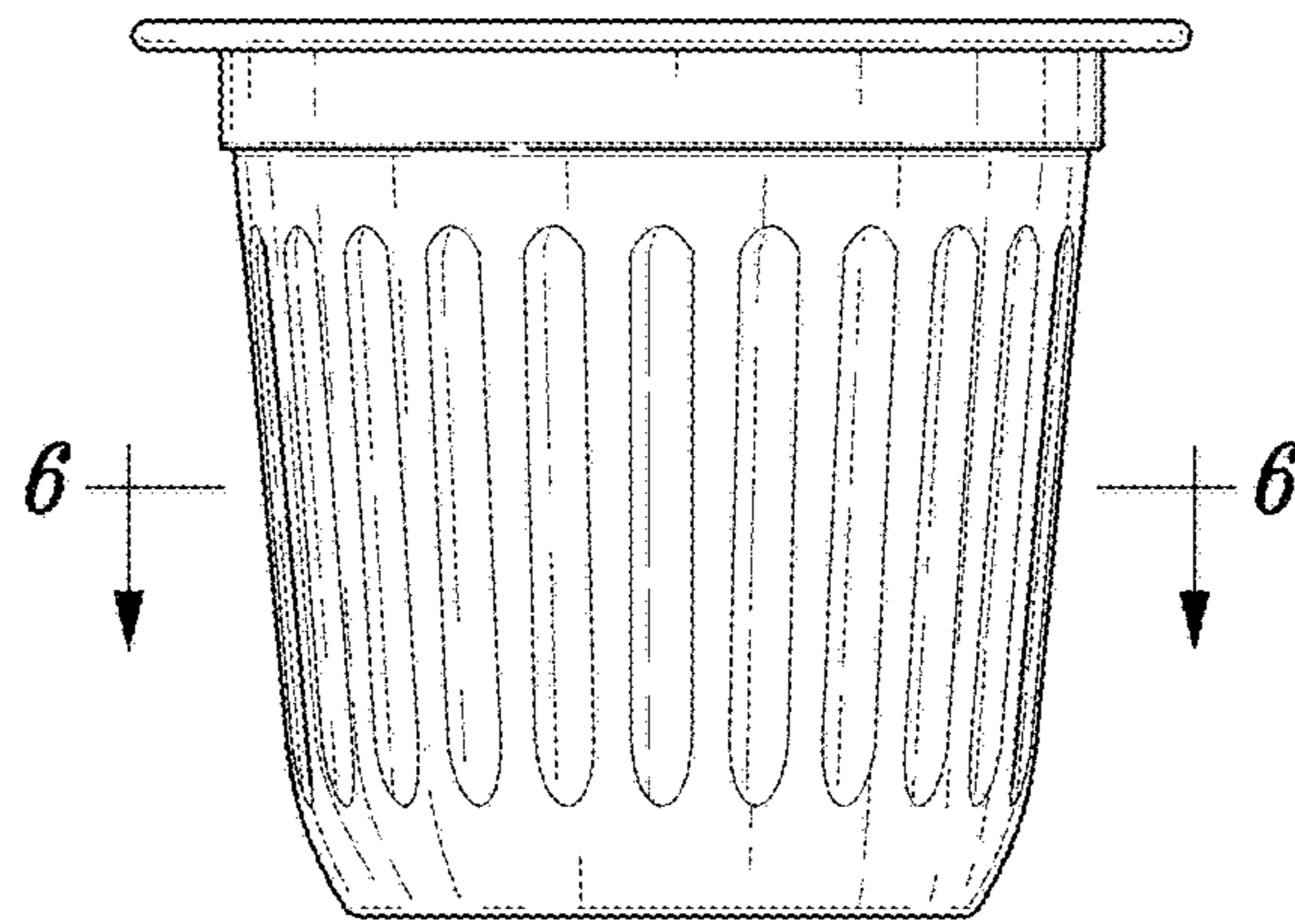


Fig. 3

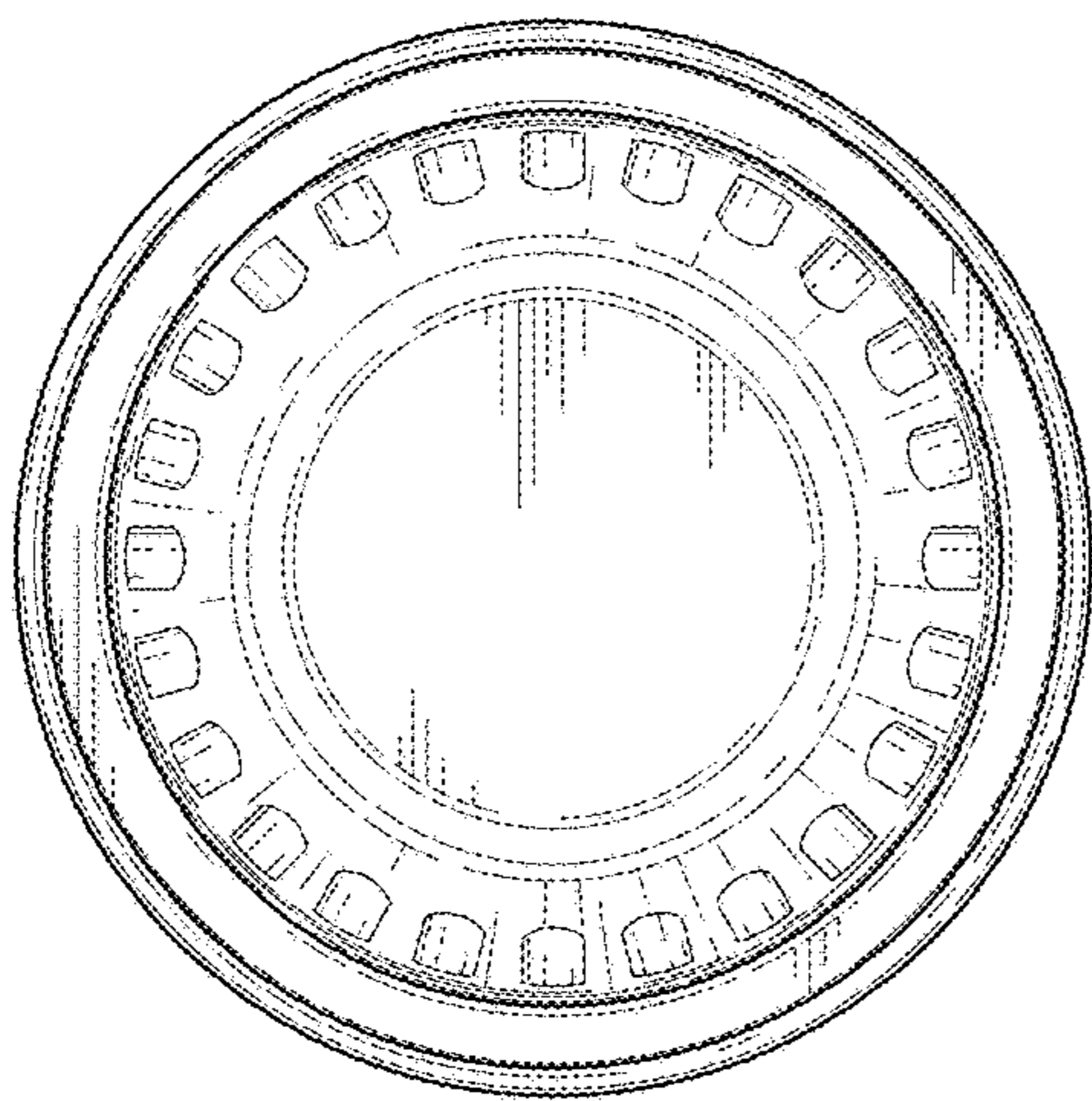


Fig. 4

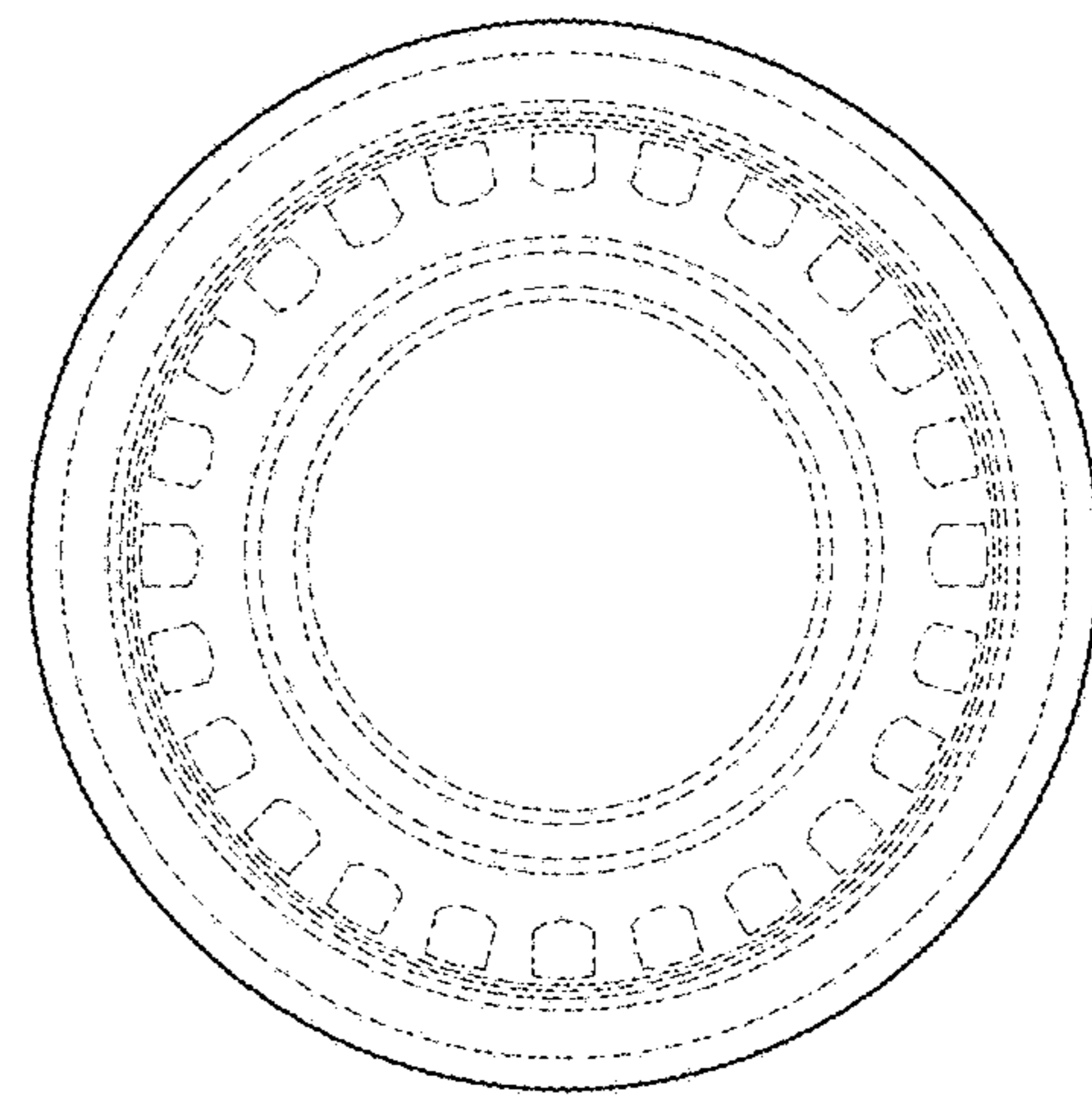


Fig. 5

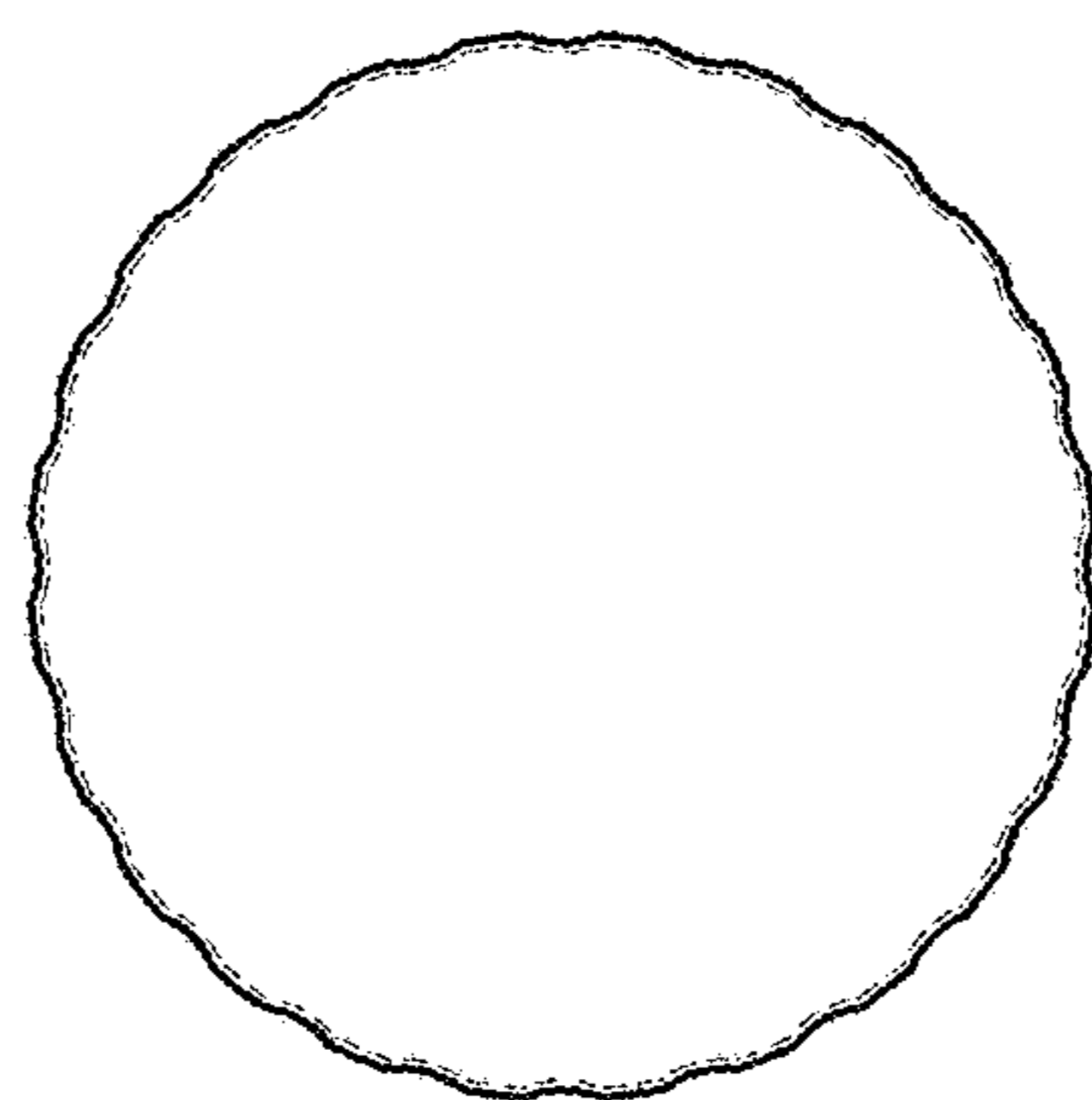


Fig. 6