



US00D808795S

(12) **United States Design Patent**
Owens et al.

(10) **Patent No.:** **US D808,795 S**
(45) **Date of Patent:** **** Jan. 30, 2018**

(54) **PRODUCT TRANSPORT CONTAINER**
(71) Applicant: **Phase Change Energy Solutions, Inc.**,
Asheboro, NC (US)
(72) Inventors: **Byron Craig Owens**, Asheboro, NC
(US); **Reyad I. Sawafta**, Greensboro,
NC (US)
(73) Assignee: **Phase Change Energy Solutions, Inc.**,
Ashboro, NC (US)

6,540,098 B1 * 4/2003 Jarvis B65D 21/0219
220/254.1
D512,305 S * 12/2005 Ramirez D9/425
7,165,695 B2 * 1/2007 Choi B25H 3/02
220/254.3
7,252,195 B2 * 8/2007 Mandle A47L 13/51
206/494
D734,147 S * 7/2015 Kwak D9/425
2016/0068323 A1 * 3/2016 Suryanarayanan .. B65D 75/008
206/459.5

(**) Term: **15 Years**

* cited by examiner

Primary Examiner — Lauren Calve

(21) Appl. No.: **29/596,269**

(74) *Attorney, Agent, or Firm* — John P. Zimmer; Erin C. Wills; Smith Moore Leatherwood LLP

(22) Filed: **Mar. 7, 2017**

(51) **LOC (11) Cl.** **09-03**

(52) **U.S. Cl.**

USPC **D9/425**

(58) **Field of Classification Search**

USPC D9/414, 415, 418, 424, 425, 426, 430,
D9/730, 733, 734; D3/201, 203.1, 273,
D3/294, 298, 299, 300, 304, 314;
D6/515, 518

CPC A47K 10/427; A47K 10/424; A47K 10/42;
A47K 10/423; B65D 83/0805; B65D
83/0841; B65D 85/671

See application file for complete search history.

(56) **References Cited**

U.S. PATENT DOCUMENTS

D230,569 S * 3/1974 Fallowfield D9/423
D230,955 S * 3/1974 Katzenmeyer D9/414
D234,273 S * 2/1975 Wilson et al. D3/272
5,582,294 A * 12/1996 Yamada B65B 9/067
206/494

(57) **CLAIM**

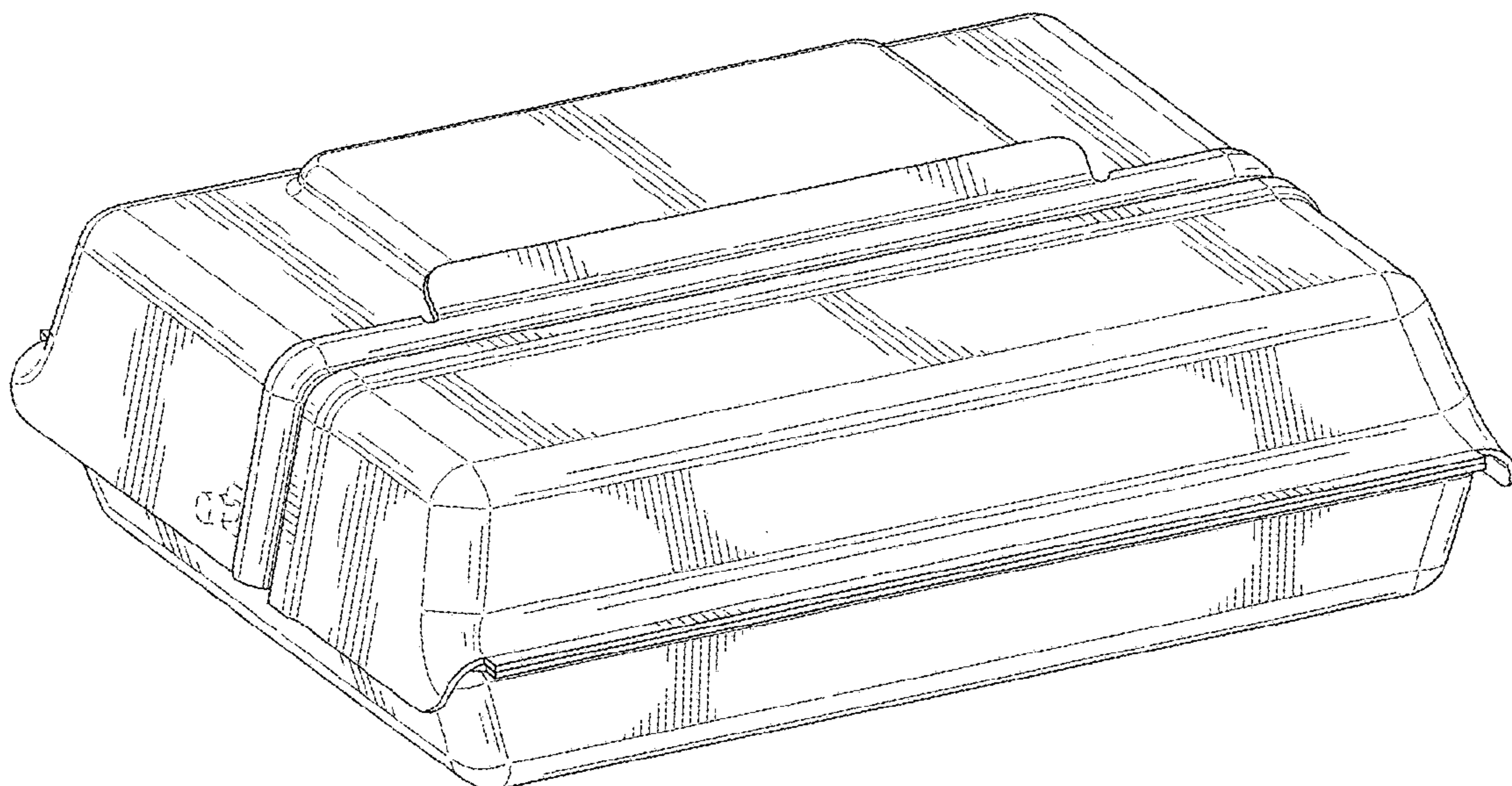
The ornamental design for a product transport container, as shown and described.

DESCRIPTION

FIG. 1 is a front perspective view of a product transport container according to the present invention; FIG. 2 is a first side view thereof; FIG. 3 is a second side view thereof, opposite the view of FIG. 2; FIG. 4 a third side view thereof; FIG. 5 is a fourth side view thereof, opposite the view of FIG. 4; FIG. 6 is a top plan view thereof; and, FIG. 7 is a bottom plan view thereof, opposite the view of FIG. 6.

The broken lines shown represent unclaimed subject matter and form no part of the claimed design.

1 Claim, 5 Drawing Sheets



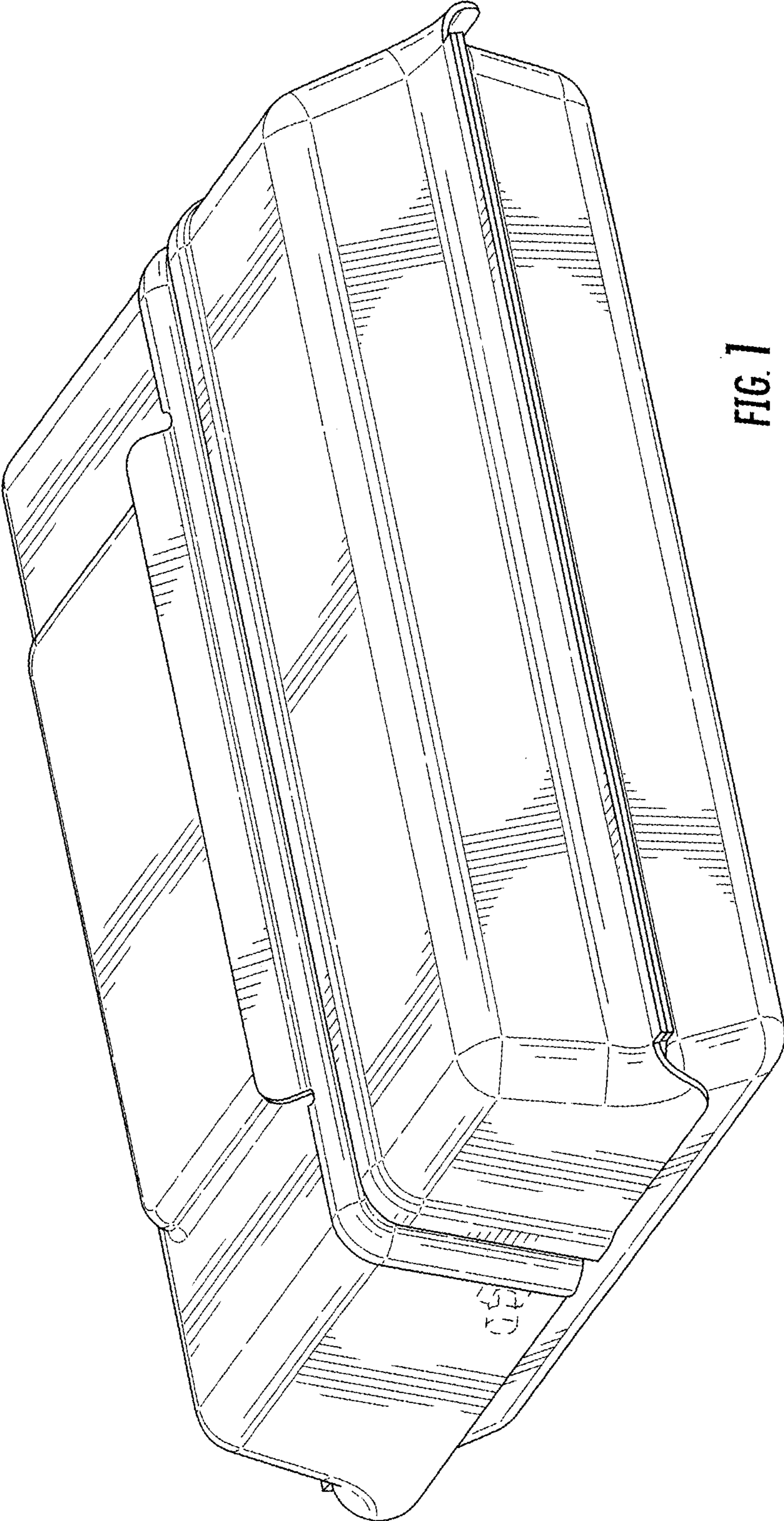


FIG. 1

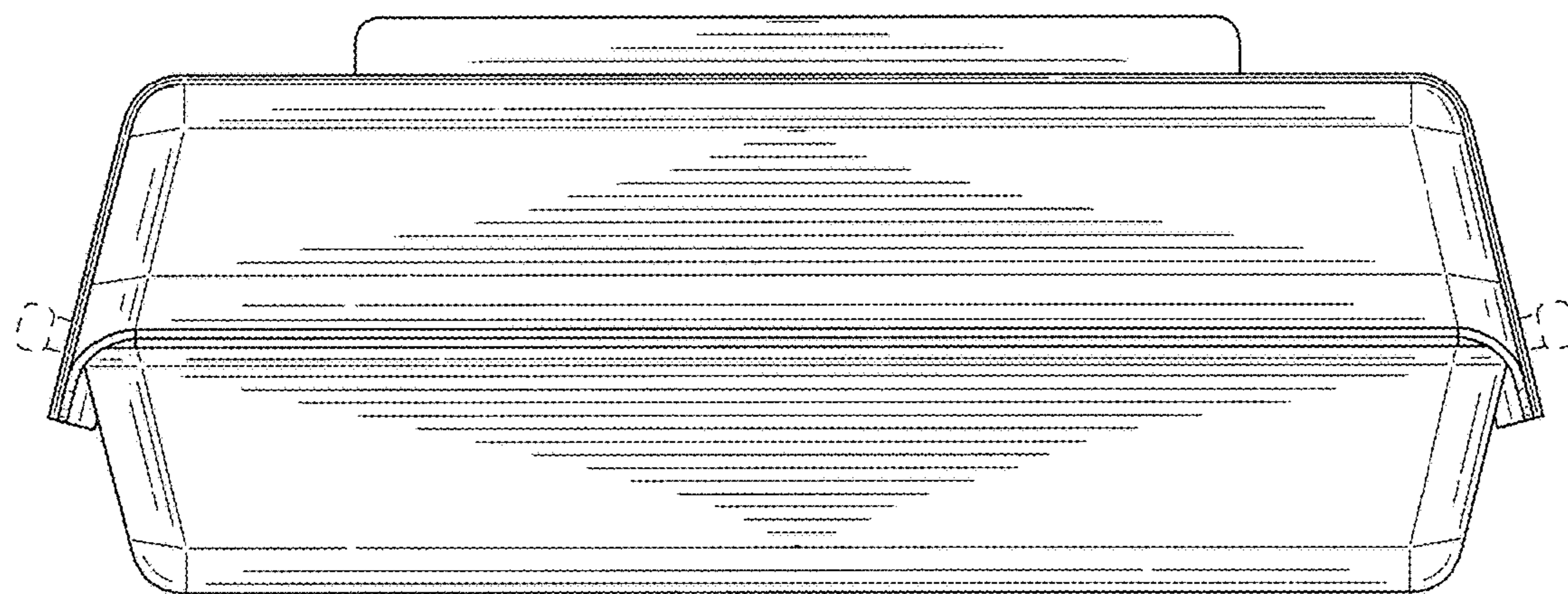


FIG. 2

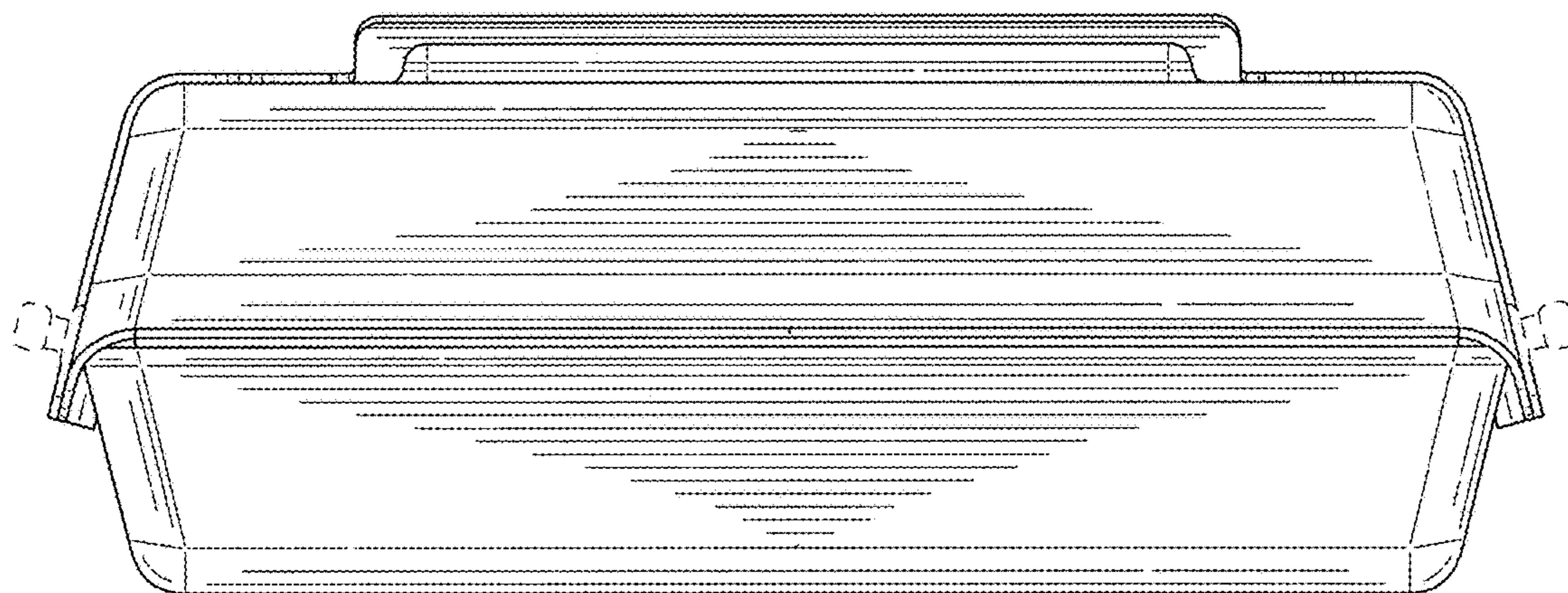


FIG. 3

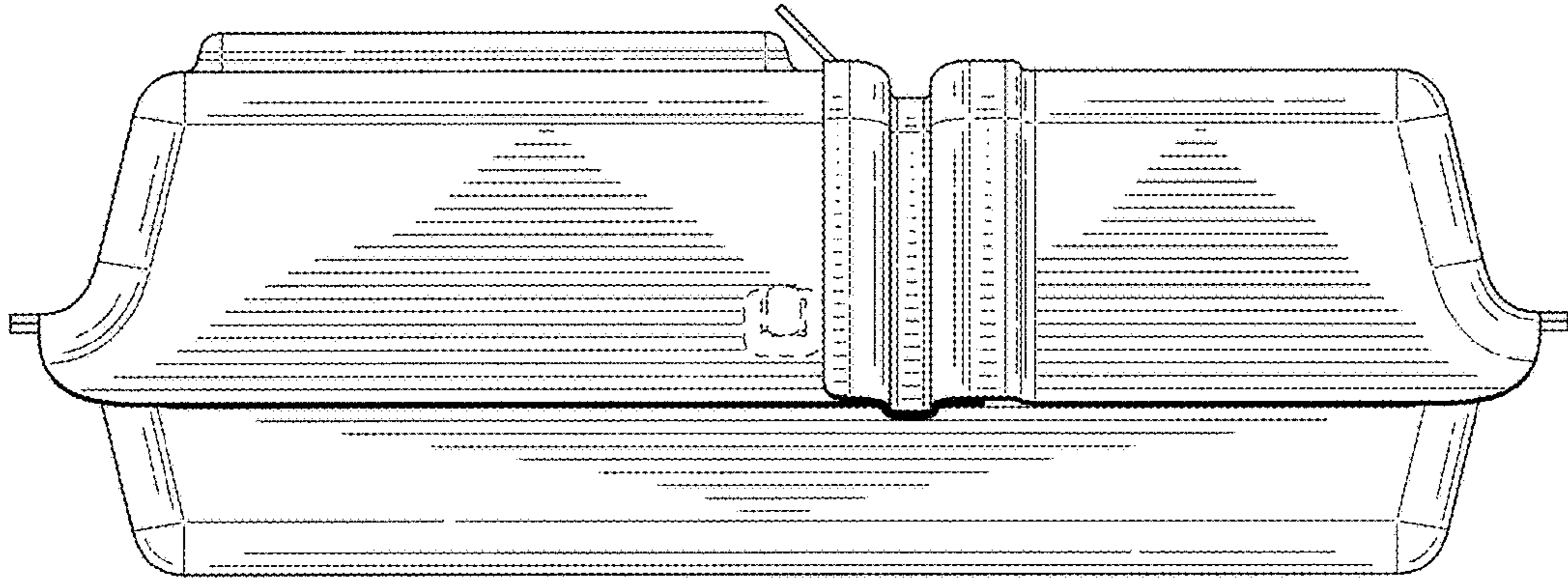


FIG. 4

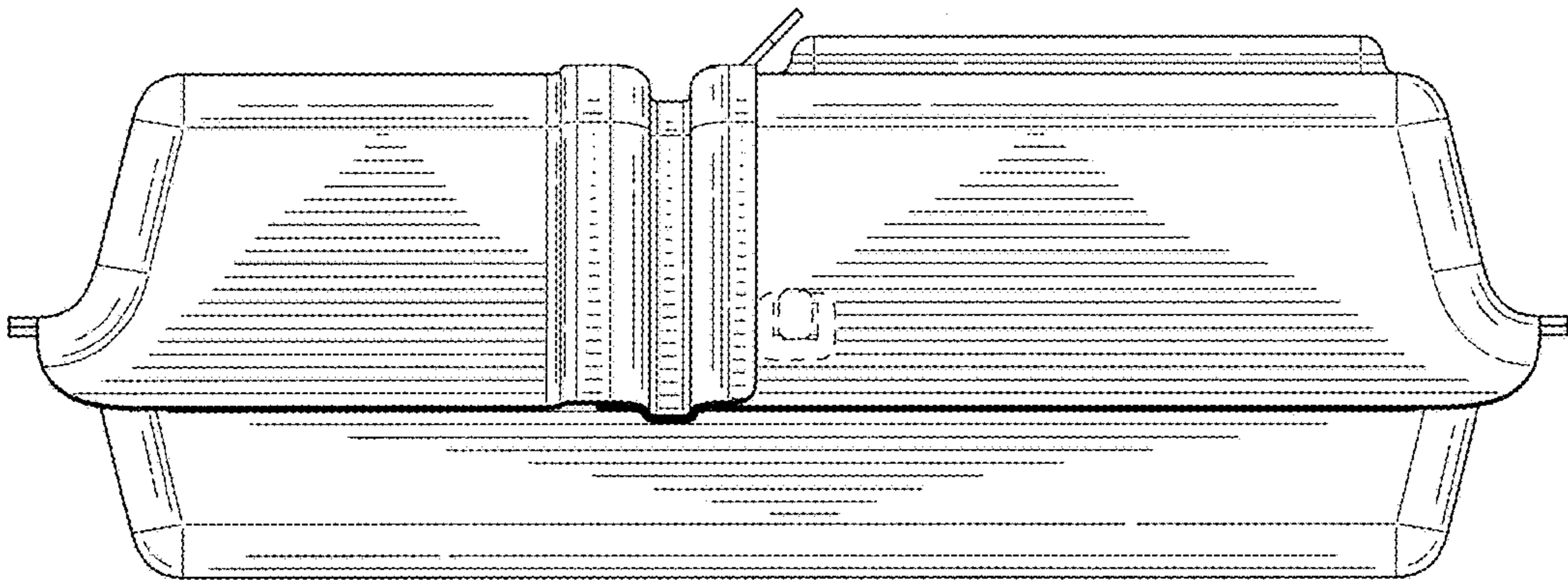


FIG. 5

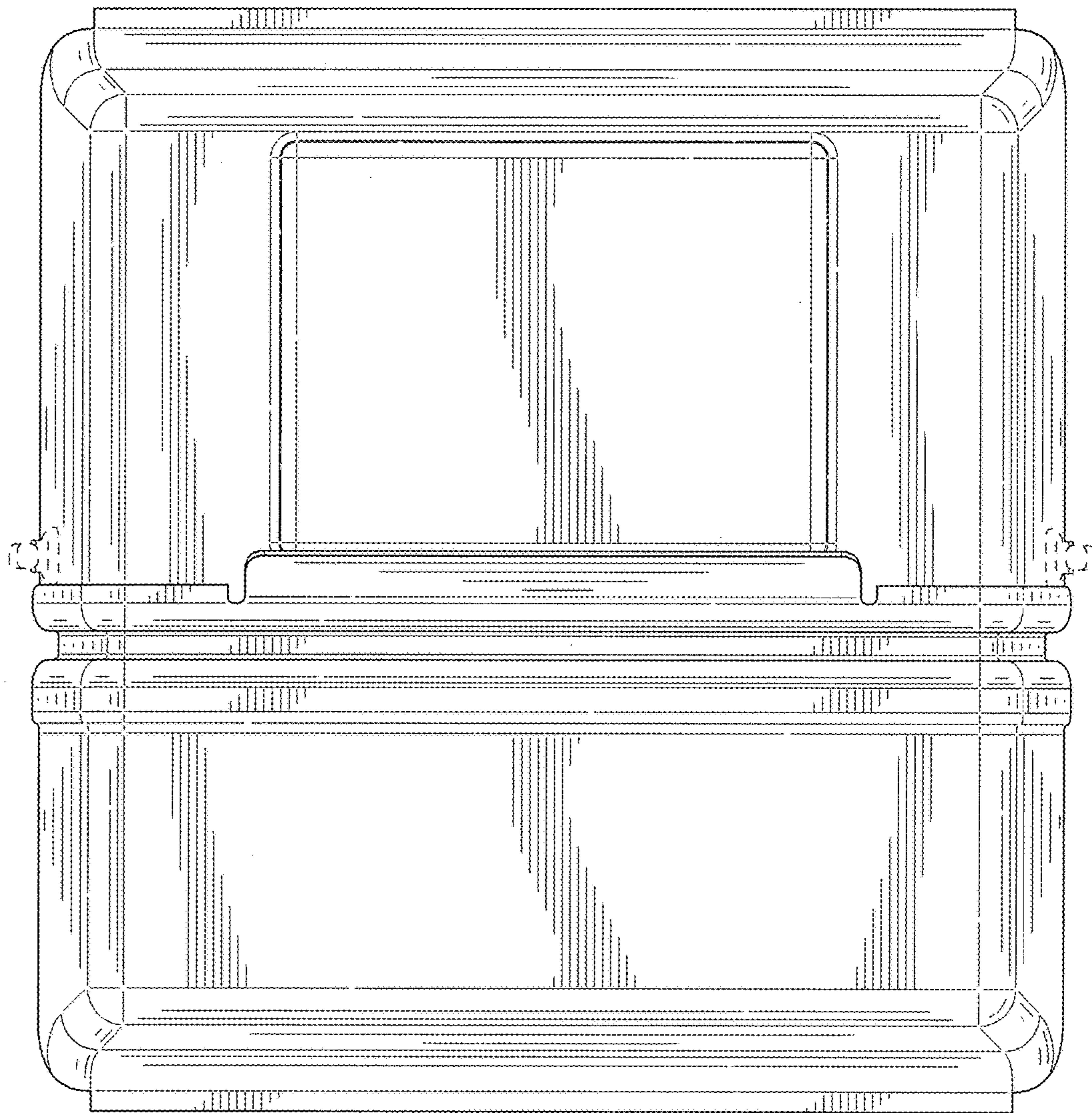


FIG. 6

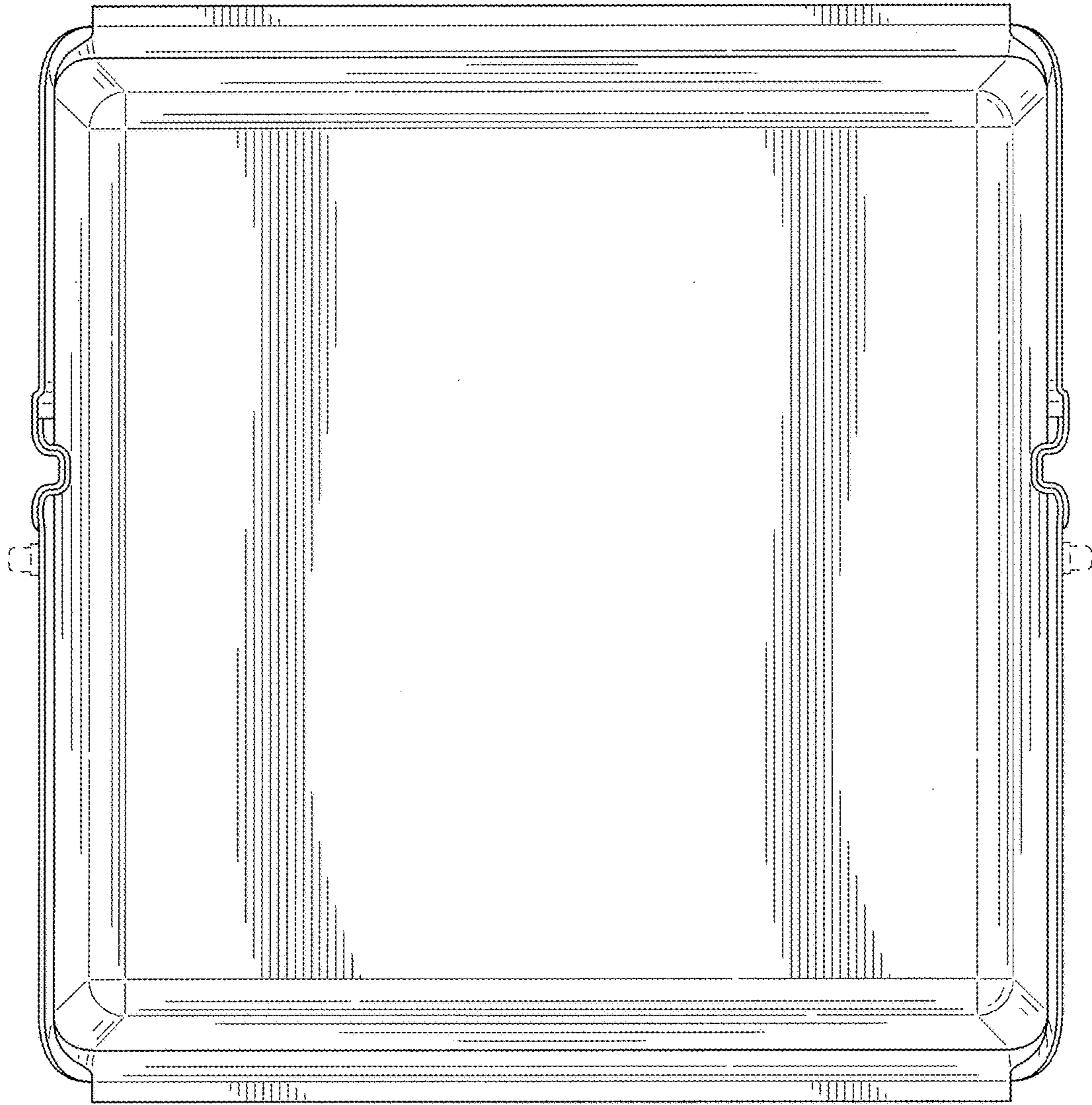


FIG. 7