



US00D808794S

(12) **United States Design Patent**
Yessin

(10) **Patent No.:** **US D808,794 S**

(45) **Date of Patent:** **** Jan. 30, 2018**

(54) **STORAGE CONTAINER**

(71) Applicant: **Dart Industries Inc.**, Orlando, FL (US)

(72) Inventor: **Julie L. Yessin**, Berkeley, CA (US)

(73) Assignee: **Dart Industries Inc.**, Orlando, FL (US)

(**) Term: **15 Years**

(21) Appl. No.: **29/587,401**

(22) Filed: **Dec. 13, 2016**

(51) **LOC (11) Cl.** **09-03**

(52) **U.S. Cl.**
USPC **D9/425**

(58) **Field of Classification Search**

USPC D7/396.1, 538-545, 602, 608, 629;
D9/414, 420, 424-429, 432, 761;

(Continued)

(56) **References Cited**

U.S. PATENT DOCUMENTS

D279,252 S * 6/1985 Daenen D7/602
D457,784 S * 5/2002 Torniainen D7/543

(Continued)

OTHER PUBLICATIONS

Carlisle StorPlus Stackable Square Food Storage Container, announced Jun. 2015, [online], site visited Oct. 12, 2017. Available from Internet, URL: <http://www.amazon.com> (Year: 2015).*

Primary Examiner — Derrick E Holland

Assistant Examiner — Janice Julia Patyk

(74) *Attorney, Agent, or Firm* — Taylor J. Ross

(57) **CLAIM**

The ornamental design for a storage container, as shown and described.

DESCRIPTION

This application is related to co-pending Ser. No. 29/587,400, filed Dec. 13, 2016, which is incorporated herein by reference.

FIG. 1 is a top, front and left side perspective view of the first embodiment of a storage container showing my new design;

FIG. 2 is a bottom, front and right side perspective view thereof;

FIG. 3 is a top plan view thereof;

FIG. 4 is a bottom plan view thereof;

FIG. 5 is a front elevation view thereof;

FIG. 6 is a rear elevation view thereof;

FIG. 7 is a left side elevation view thereof;

FIG. 8 is a right side elevation view thereof;

FIG. 9 is a cross-sectional view taken along line 9-9 of FIG. 3;

FIG. 10 is a cross-sectional view taken along line 10-10 of FIG. 3;

FIG. 11 is a top, front and left side perspective view of the second embodiment of a storage container showing my new design;

FIG. 12 is a bottom, front and right side perspective view thereof;

FIG. 13 is a top plan view thereof;

FIG. 14 is a bottom plan view thereof;

FIG. 15 is a front elevation view thereof;

FIG. 16 is a rear elevation view thereof;

FIG. 17 is a left side elevation view thereof;

FIG. 18 is a right side elevation view thereof;

FIG. 19 is a cross-sectional view taken along line 19-19 of FIG. 13;

FIG. 20 is a cross-sectional view taken along line 20-20 of FIG. 13;

FIG. 21 is a top, front and left side perspective view of the third embodiment of a storage container showing my new design;

FIG. 22 is a bottom, front and right side perspective view thereof;

FIG. 23 is a top plan view thereof;

FIG. 24 is a bottom plan view thereof;

FIG. 25 is a front elevation view thereof;

FIG. 26 is a rear elevation view thereof;

FIG. 27 is a left side elevation view thereof;

FIG. 28 is a right side elevation view thereof;

FIG. 29 is a cross-sectional view taken along line 29-29 of FIG. 23;

(Continued)

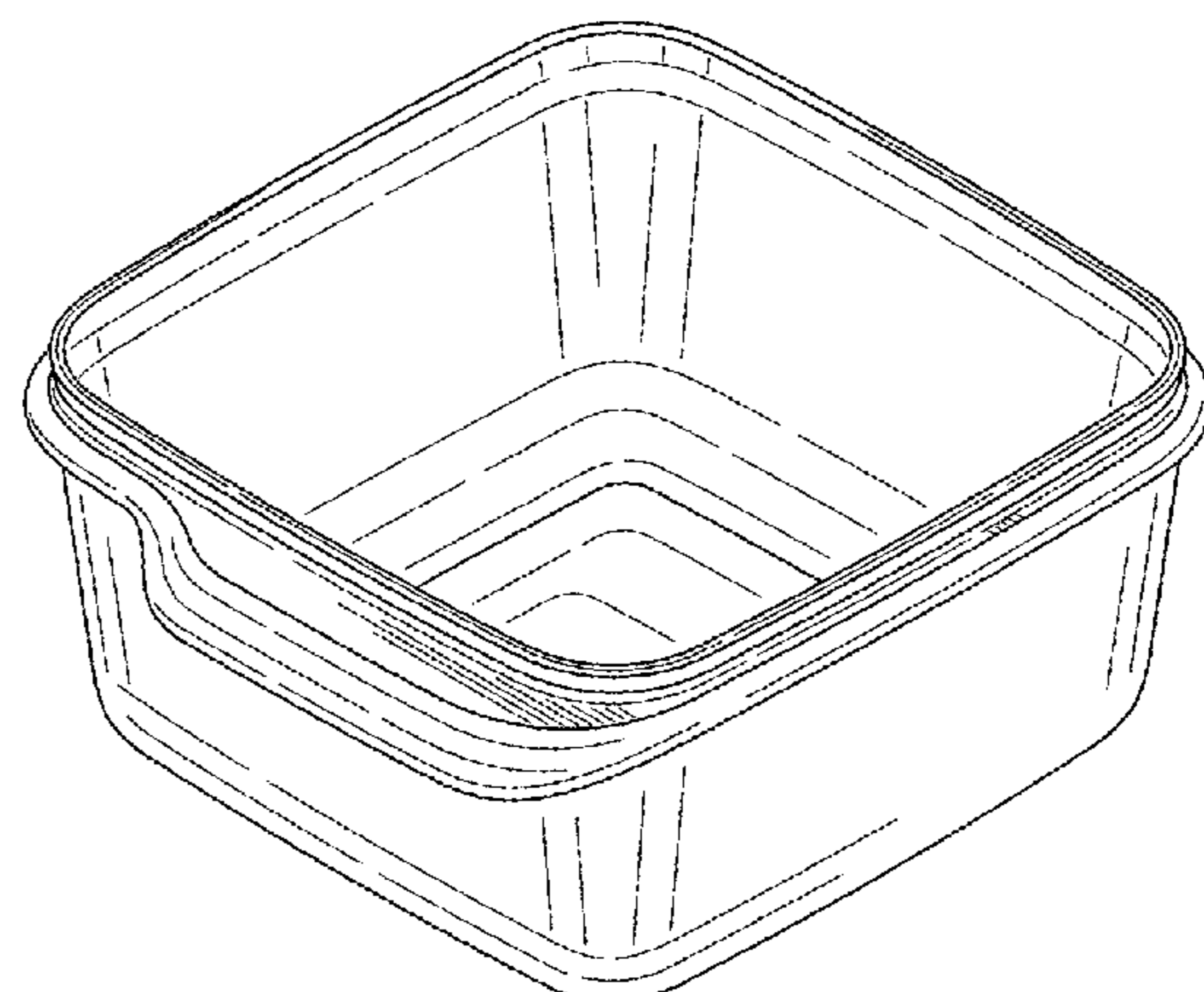
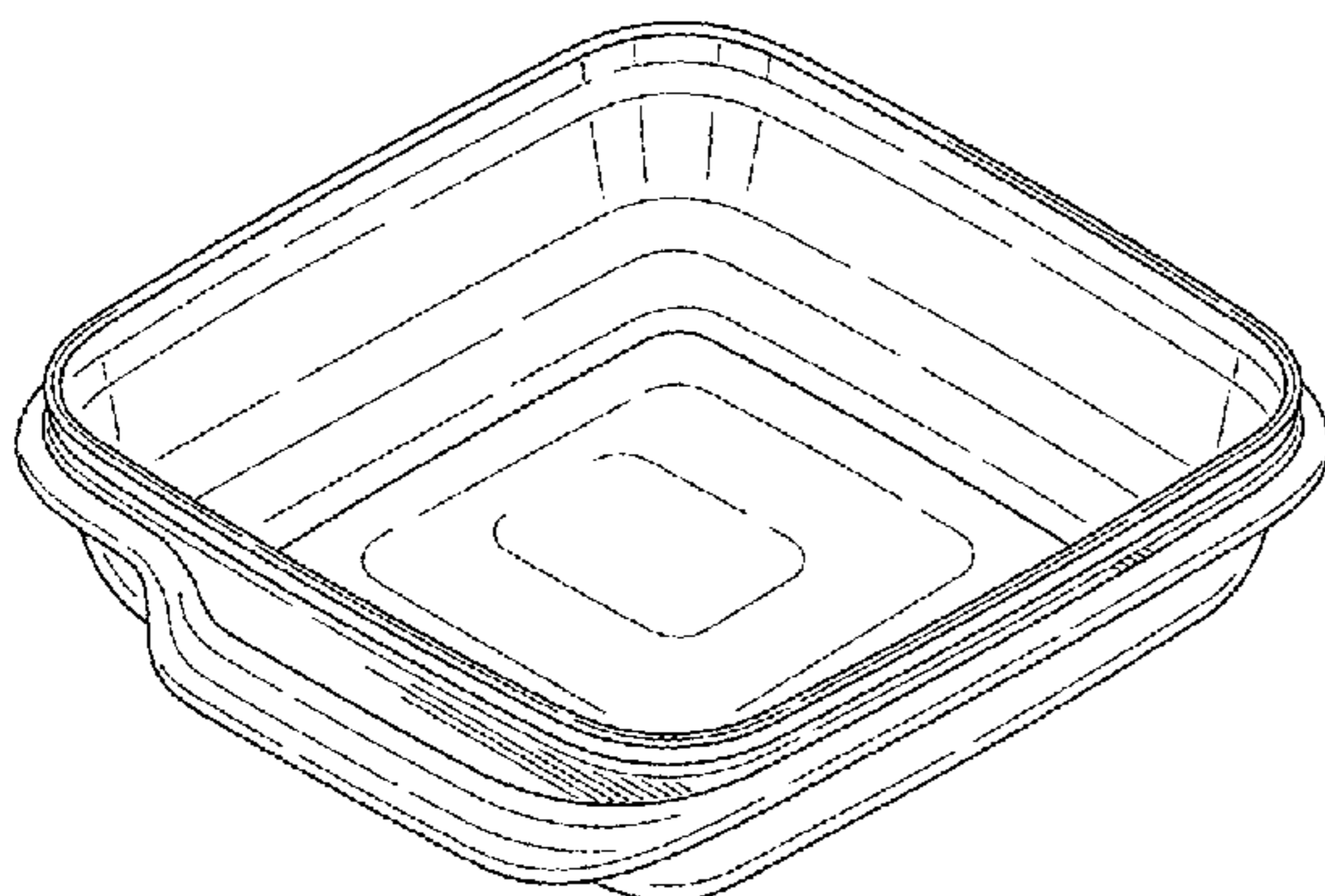


FIG. 30 is a cross-sectional view taken along line 30-30 of FIG. 23;
 FIG. 31 is a top, front and left side perspective view of the fourth embodiment of a storage container showing my new design;
 FIG. 32 is a bottom, front and right side perspective view thereof;
 FIG. 33 is a top plan view thereof;
 FIG. 34 is a bottom plan view thereof;
 FIG. 35 is a front elevation view thereof;
 FIG. 36 is a rear elevation view thereof;
 FIG. 37 is a left side elevation view thereof;
 FIG. 38 is a right side elevation view thereof;
 FIG. 39 is a cross-sectional view taken along line 39-39 of FIG. 33; and,
 FIG. 40 is a cross-sectional view taken along line 30-30 of FIG. 33.

1 Claim, 16 Drawing Sheets

(58) **Field of Classification Search**

USPC D24/176; 206/499, 508, 557; 220/23.4, 220/23.6, 315, 500, 659, 669, 674, 675, 220/696, 752, 760, 790, 793; 229/105, 229/117.09, 117.26, 189, 406, 407, 902, 229/905

CPC ... B65D 1/26; B65D 1/34; B65D 1/36; B65D 1/40; B65D 1/0223; B65D 25/04; B65D 43/0212

See application file for complete search history.

(56)

References Cited

U.S. PATENT DOCUMENTS

D470,018	S	2/2003	Claypool	
D606,811	S *	12/2009	Furlong	7/602
D630,900	S *	1/2011	Samartgis	D7/602
D631,300	S *	1/2011	Samartgis	D7/602
D655,576	S *	3/2012	Samartgis	D7/602
8,127,961	B2 *	3/2012	Vovan	B65D 43/0206 220/212
8,146,766	B2 *	4/2012	Vovan	B65D 43/021 220/212
D700,480	S	3/2014	Yessin et al.	
D700,481	S	3/2014	Yessin et al.	
D700,482	S	3/2014	Yessin et al.	
D700,483	S	3/2014	Yessin et al.	
2007/0007298	A1 *	1/2007	Tucker	B65D 43/0206 220/791
2009/0120937	A1 *	5/2009	Vovan	B65D 43/0206 220/266

* cited by examiner

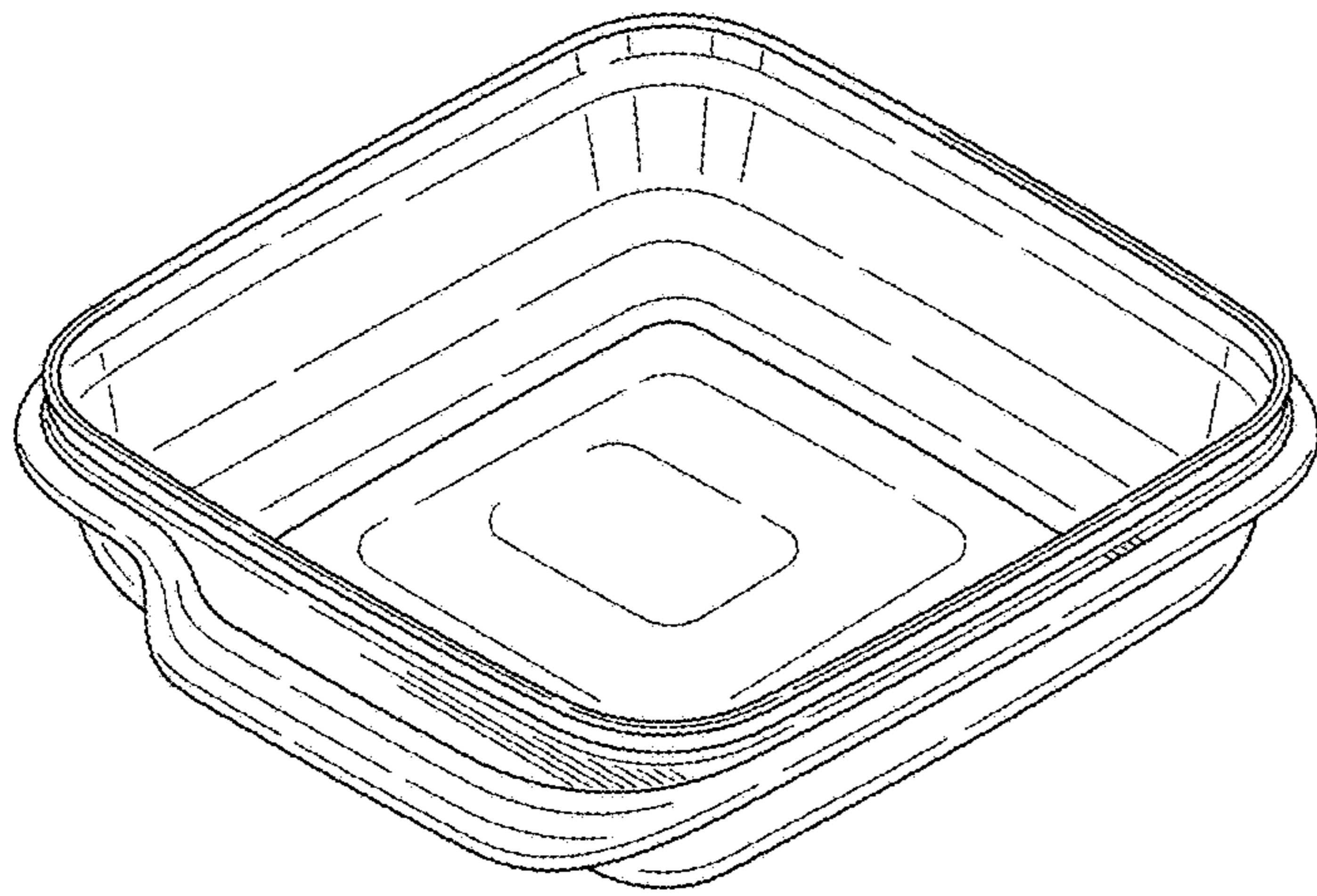


FIG. 1

FIG. 2

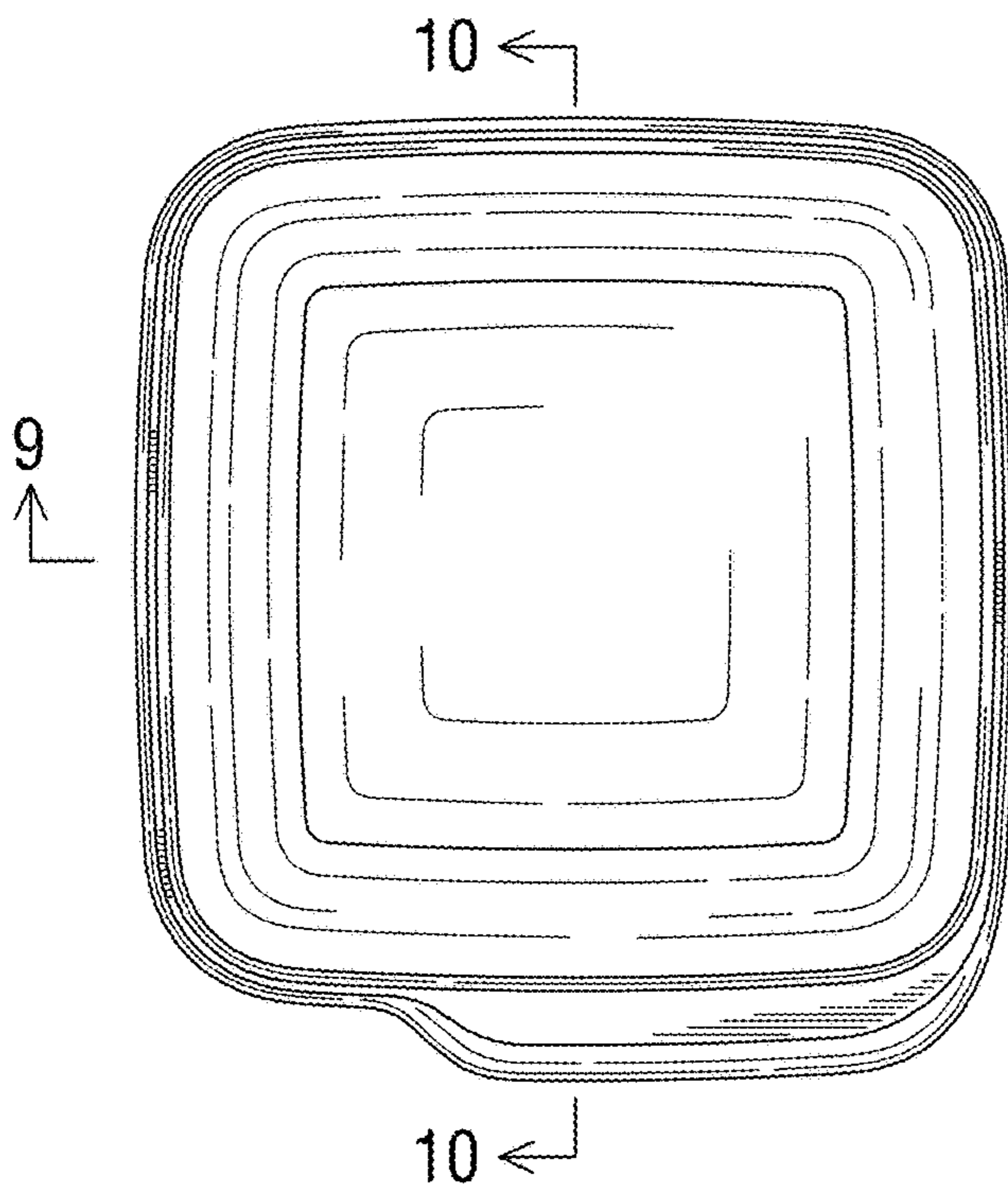
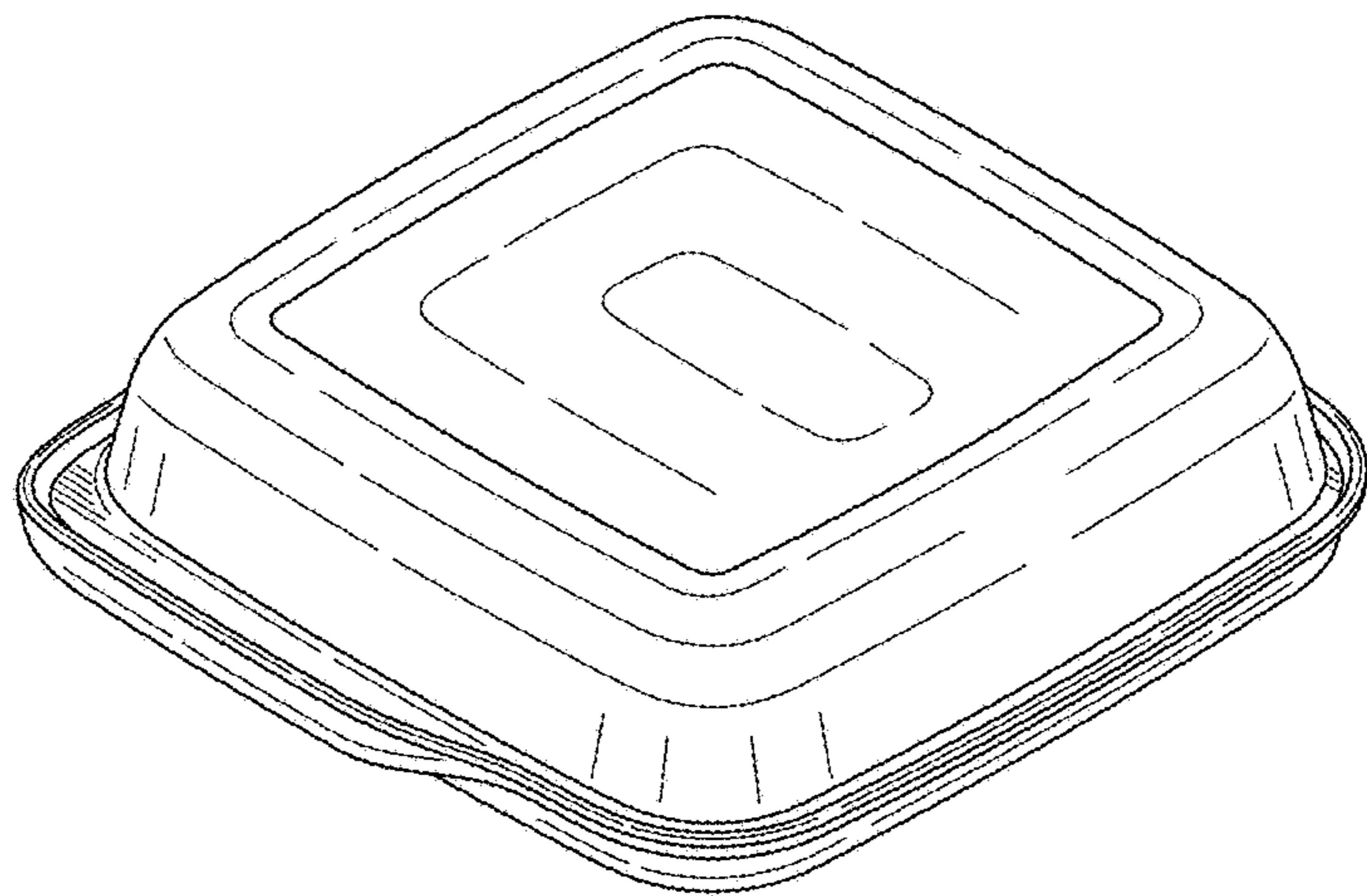


FIG. 3

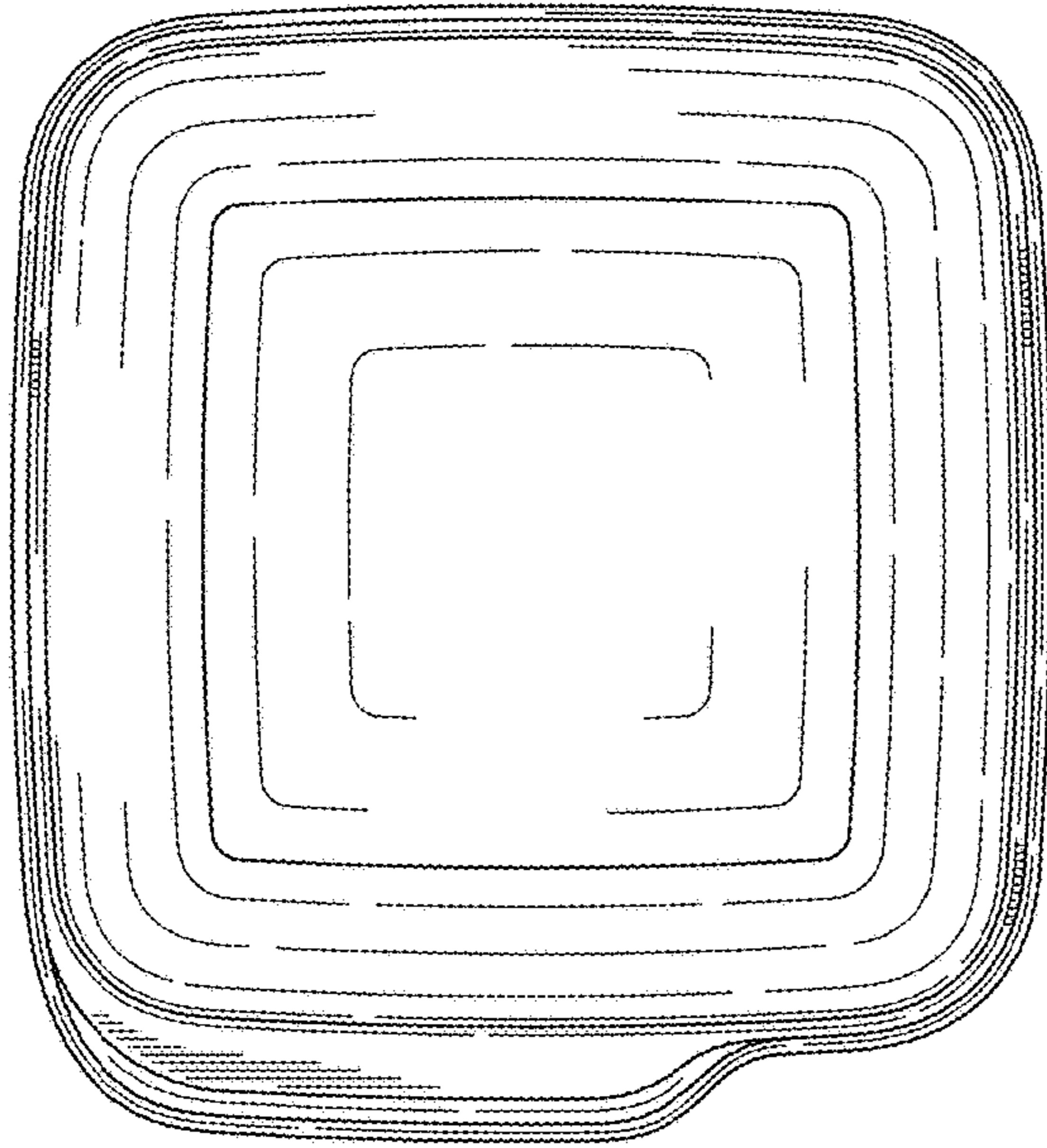


FIG. 4

FIG. 5

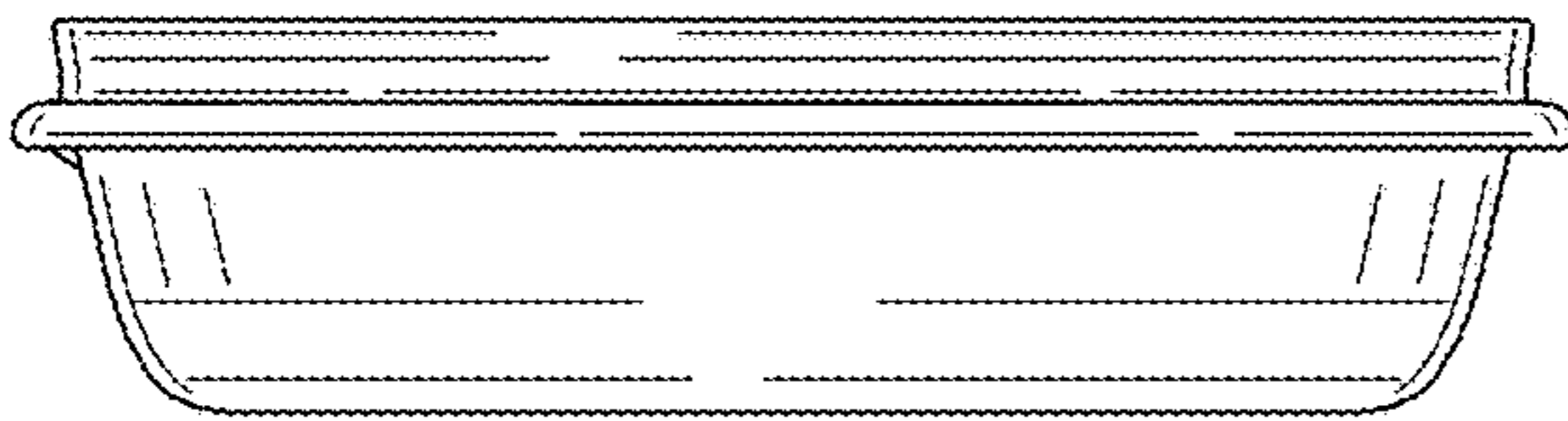
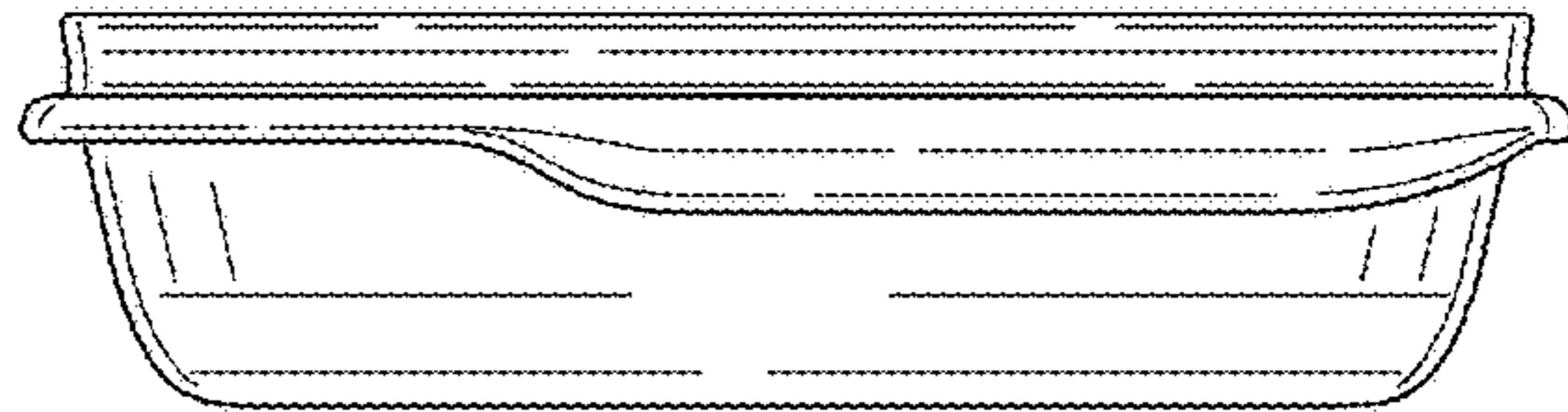


FIG. 6

FIG. 7

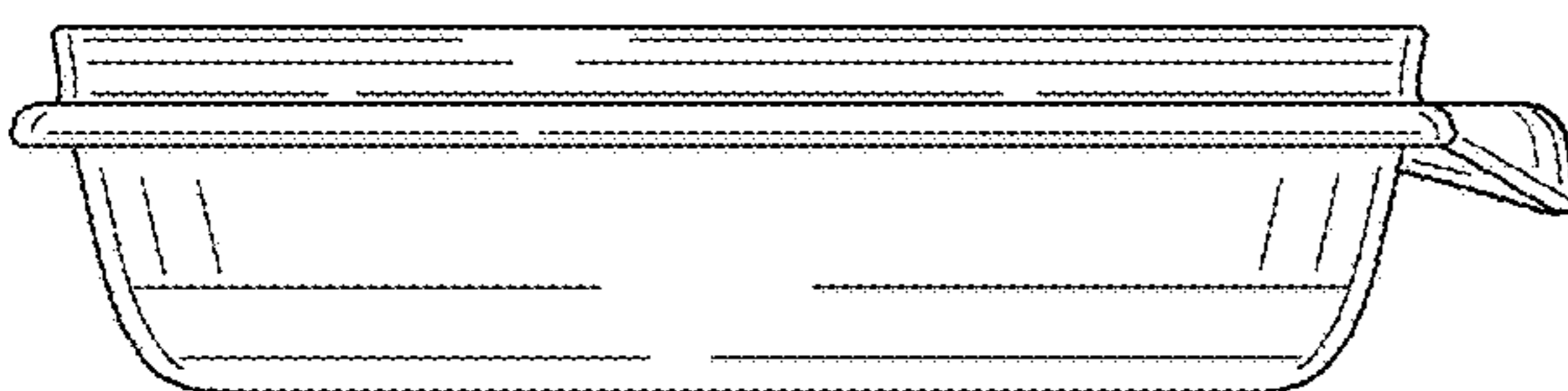
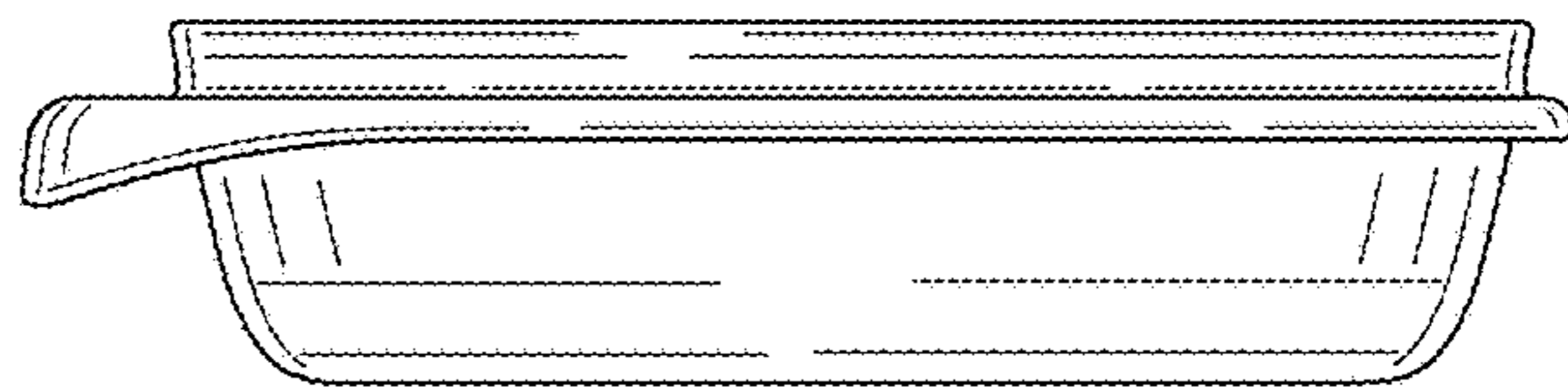


FIG. 8

FIG. 9

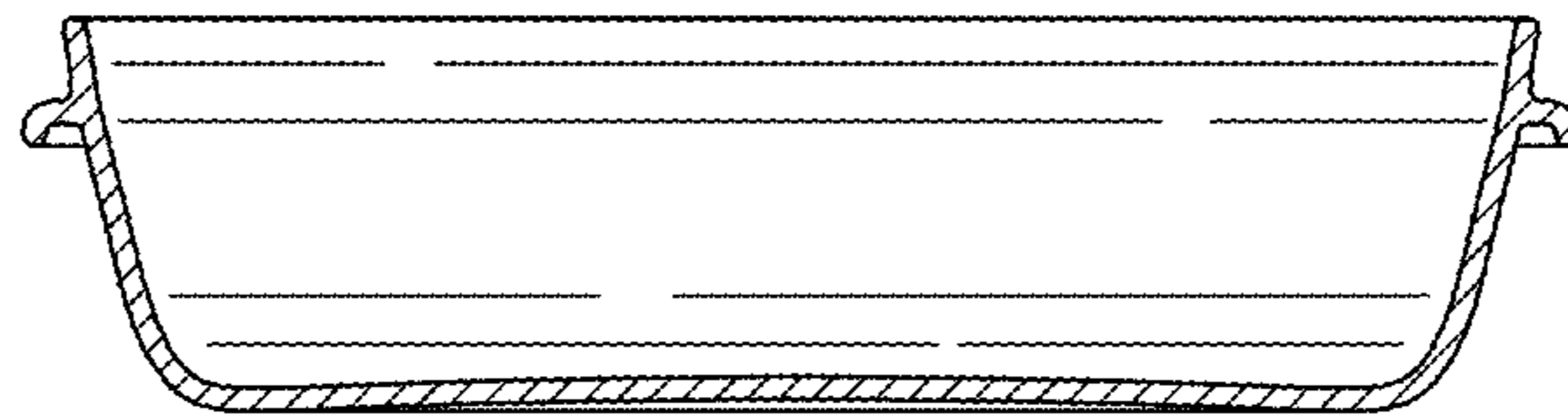
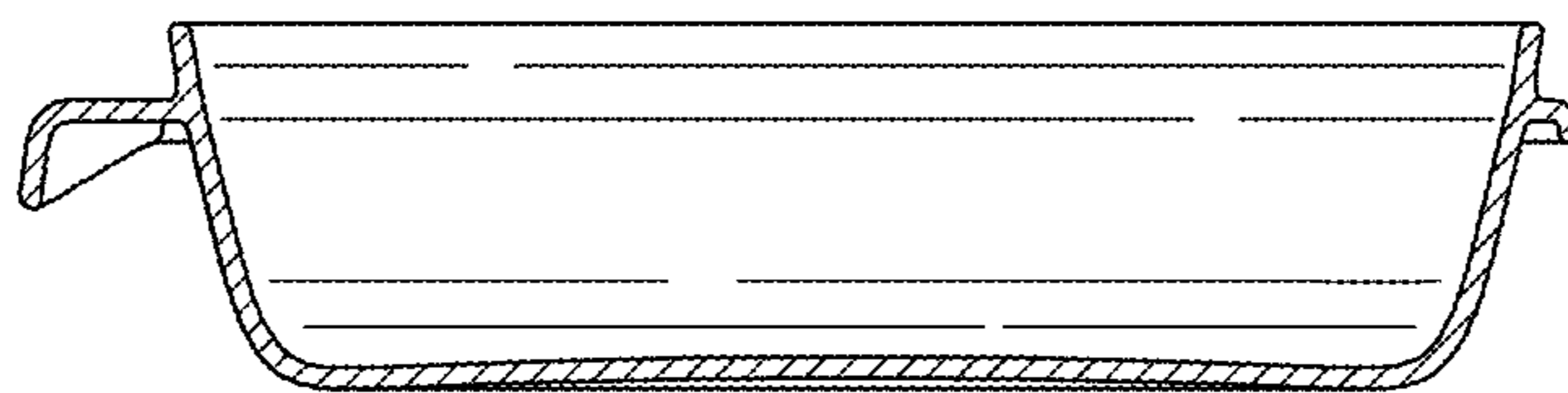


FIG. 10



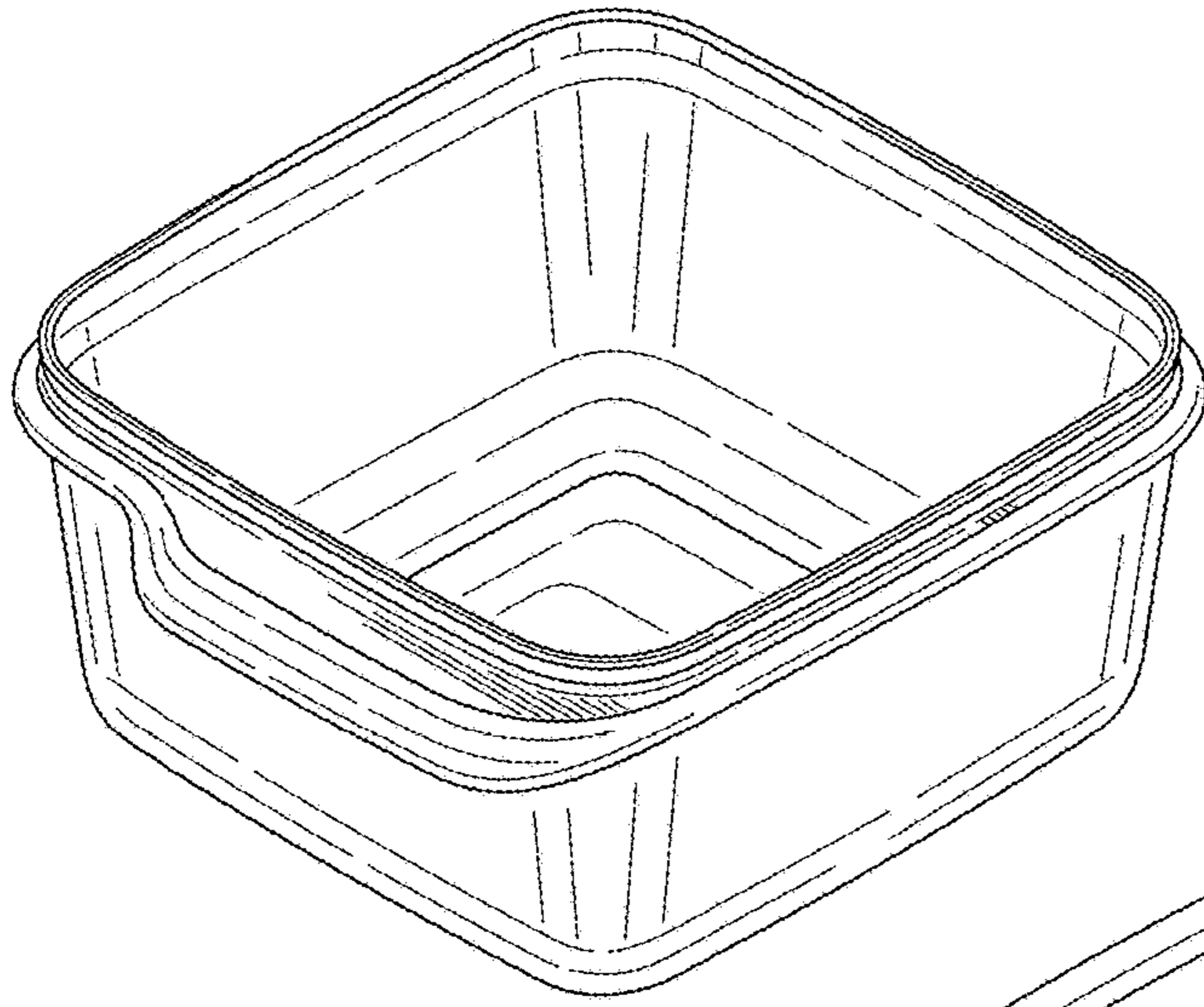


FIG. 11

FIG. 12

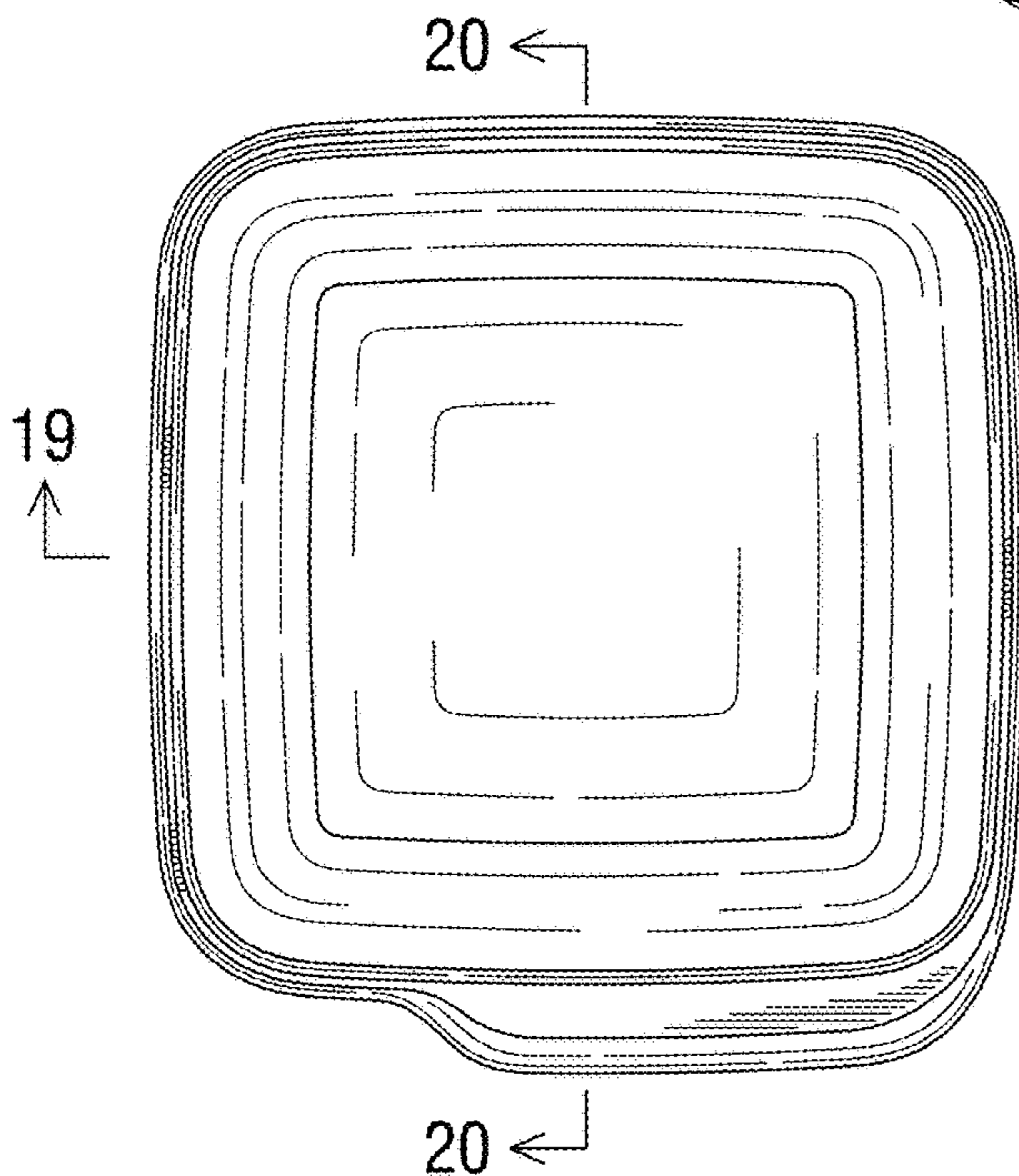
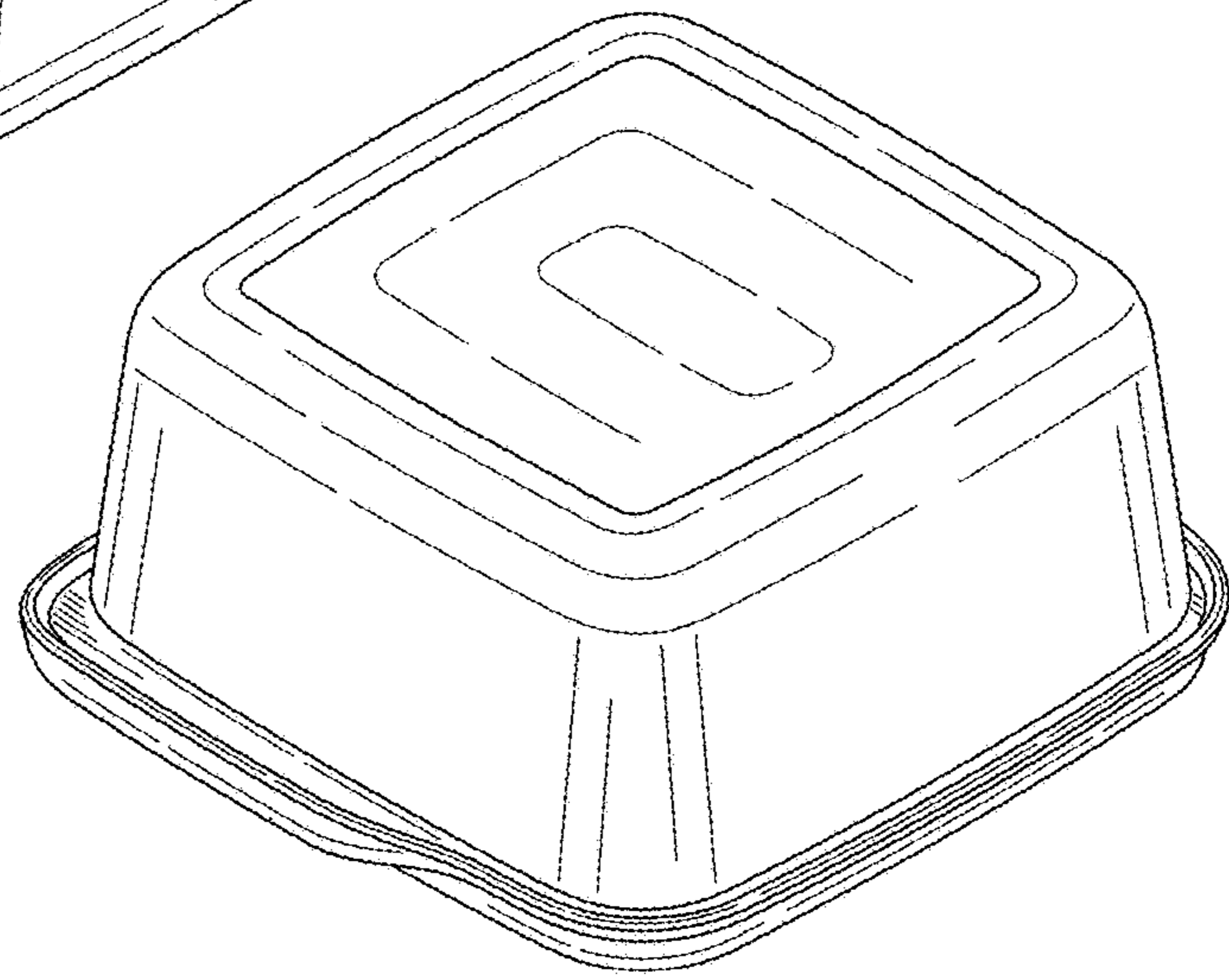


FIG. 13

FIG. 14

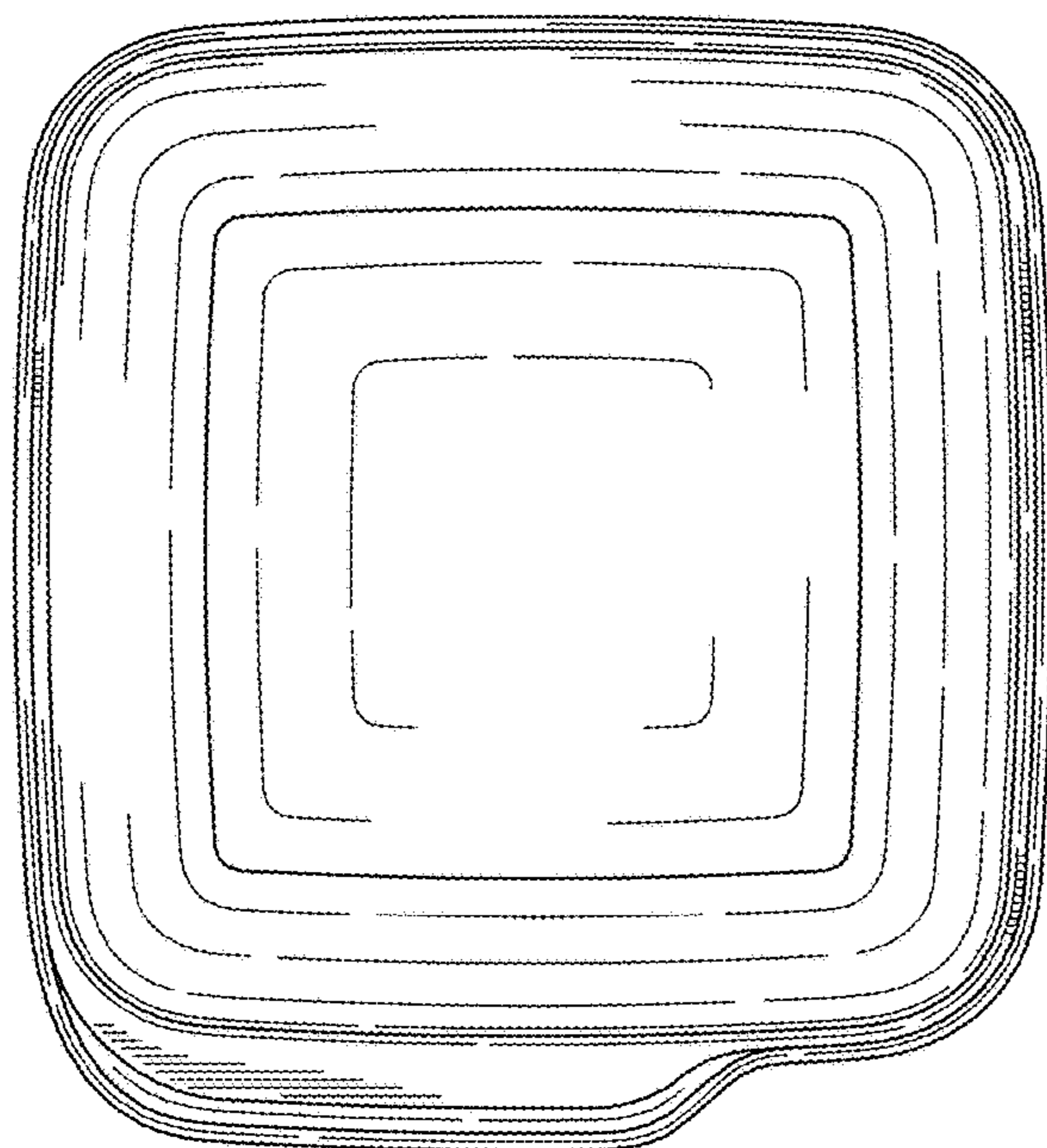


FIG. 15

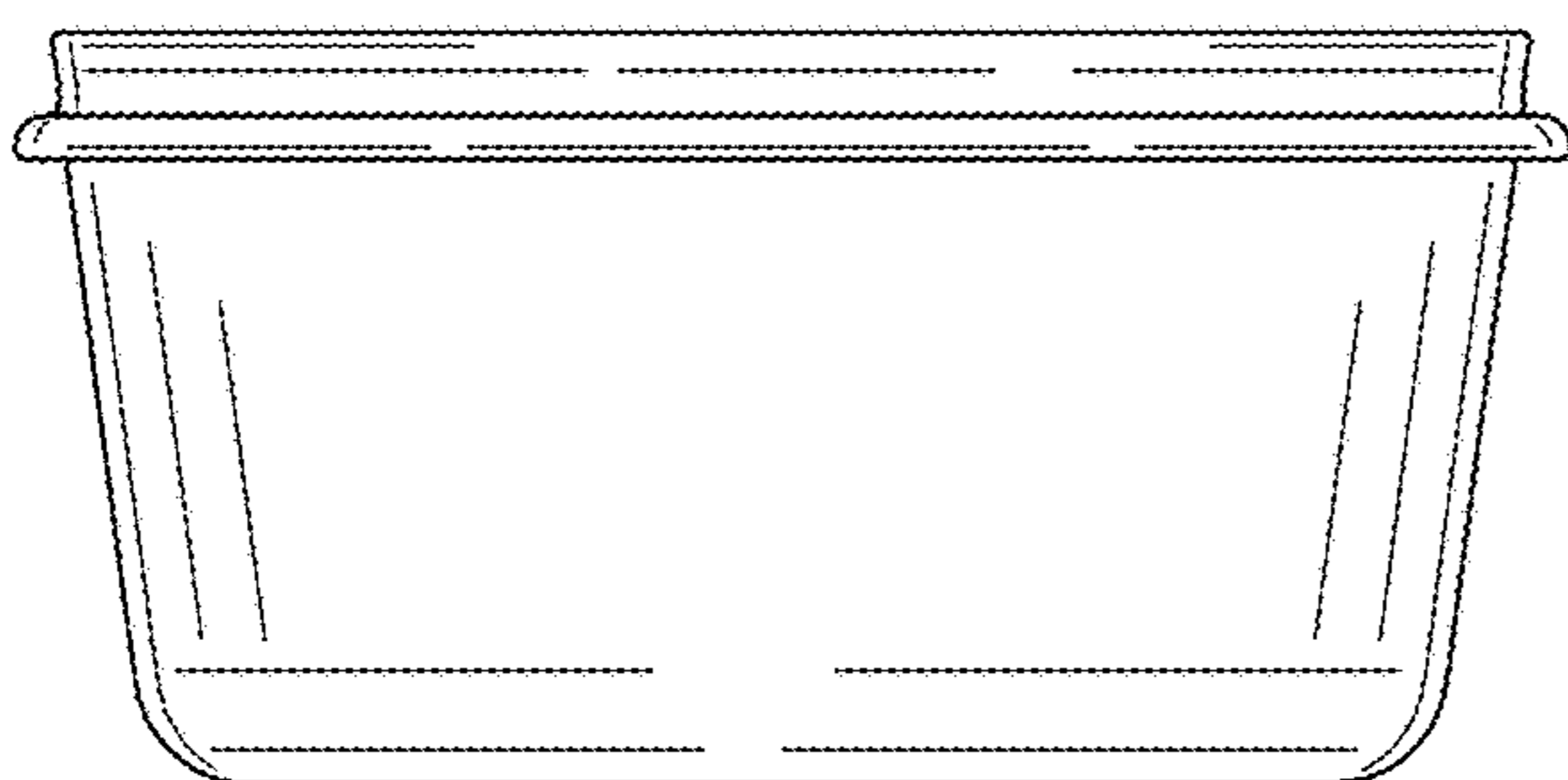
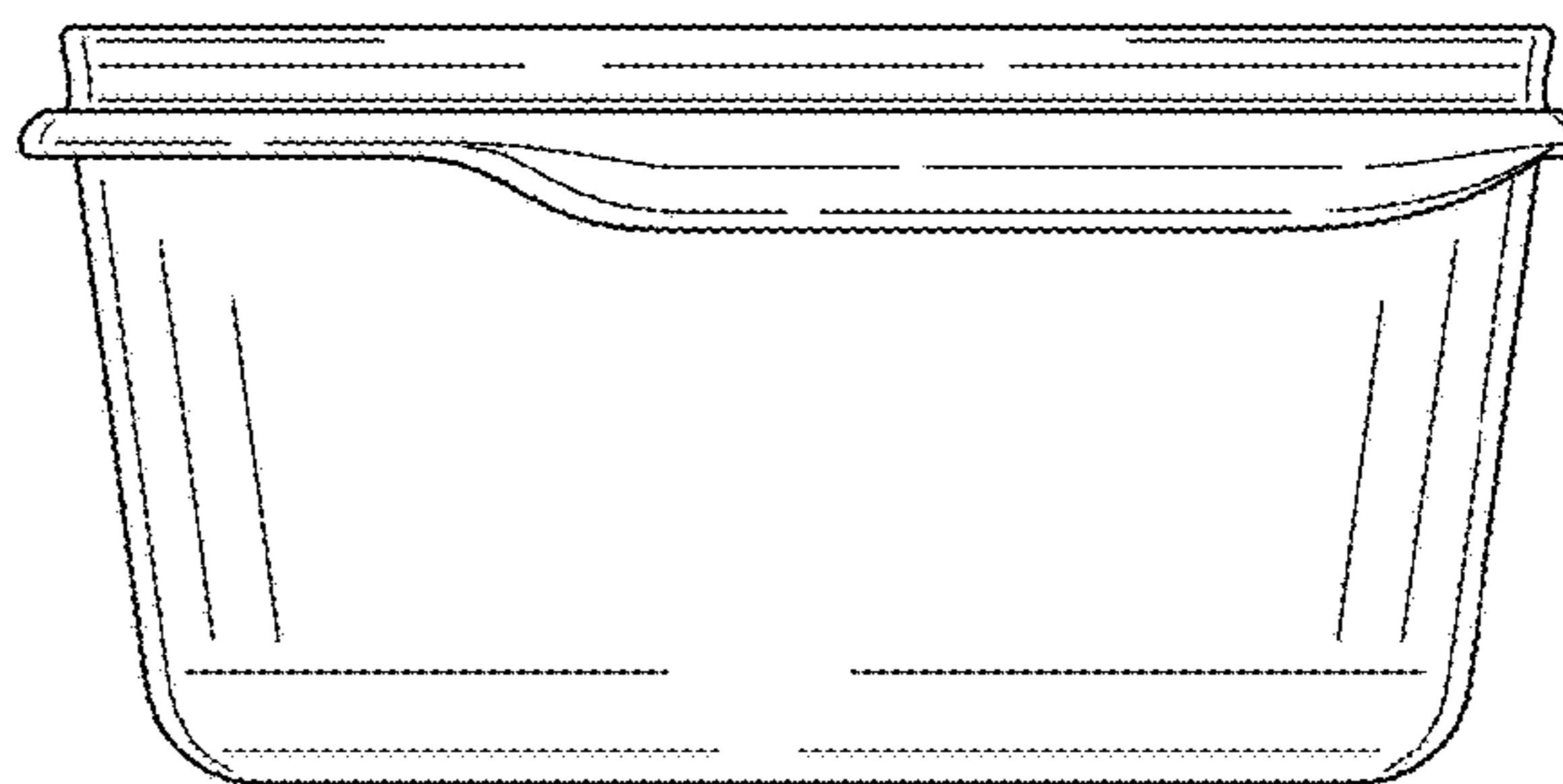


FIG. 16

FIG. 17

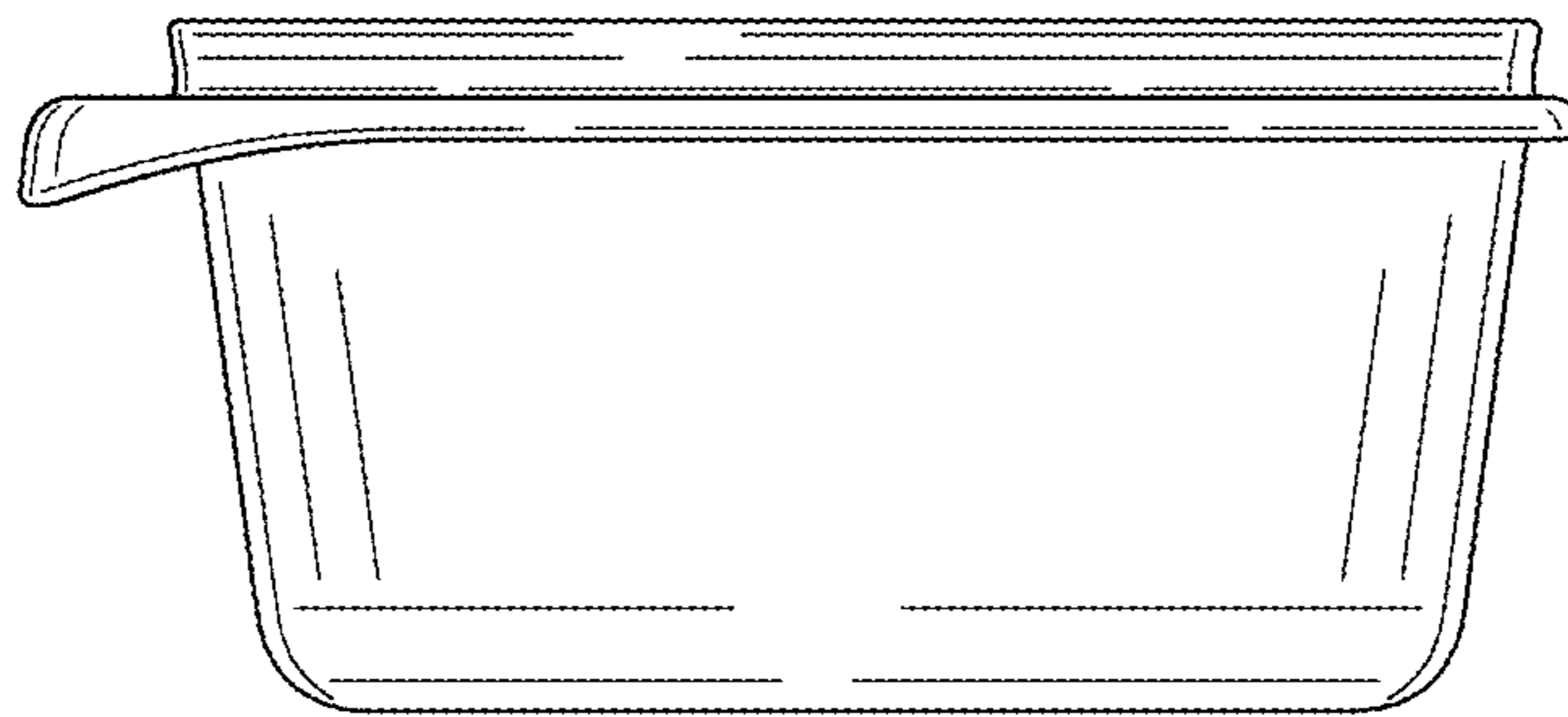


FIG. 18

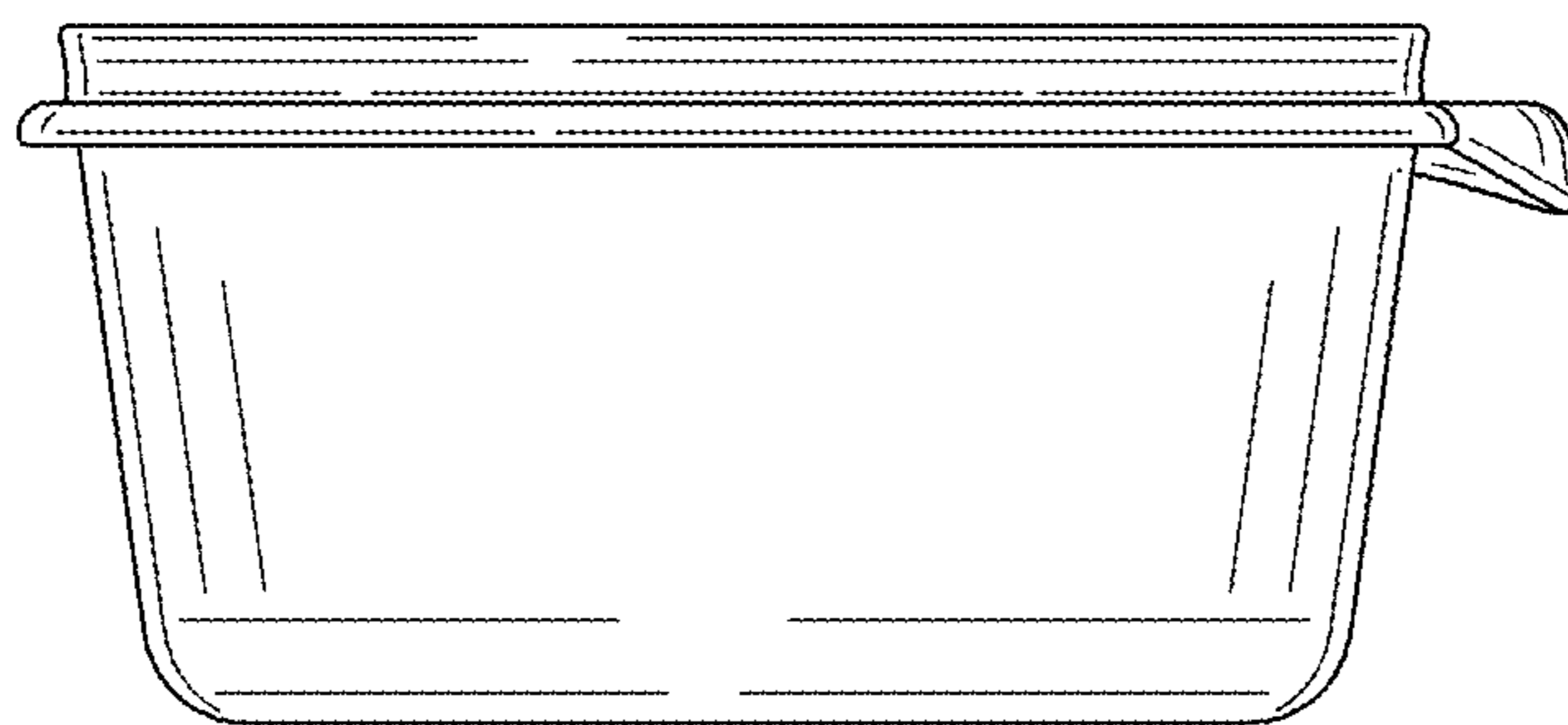


FIG. 19

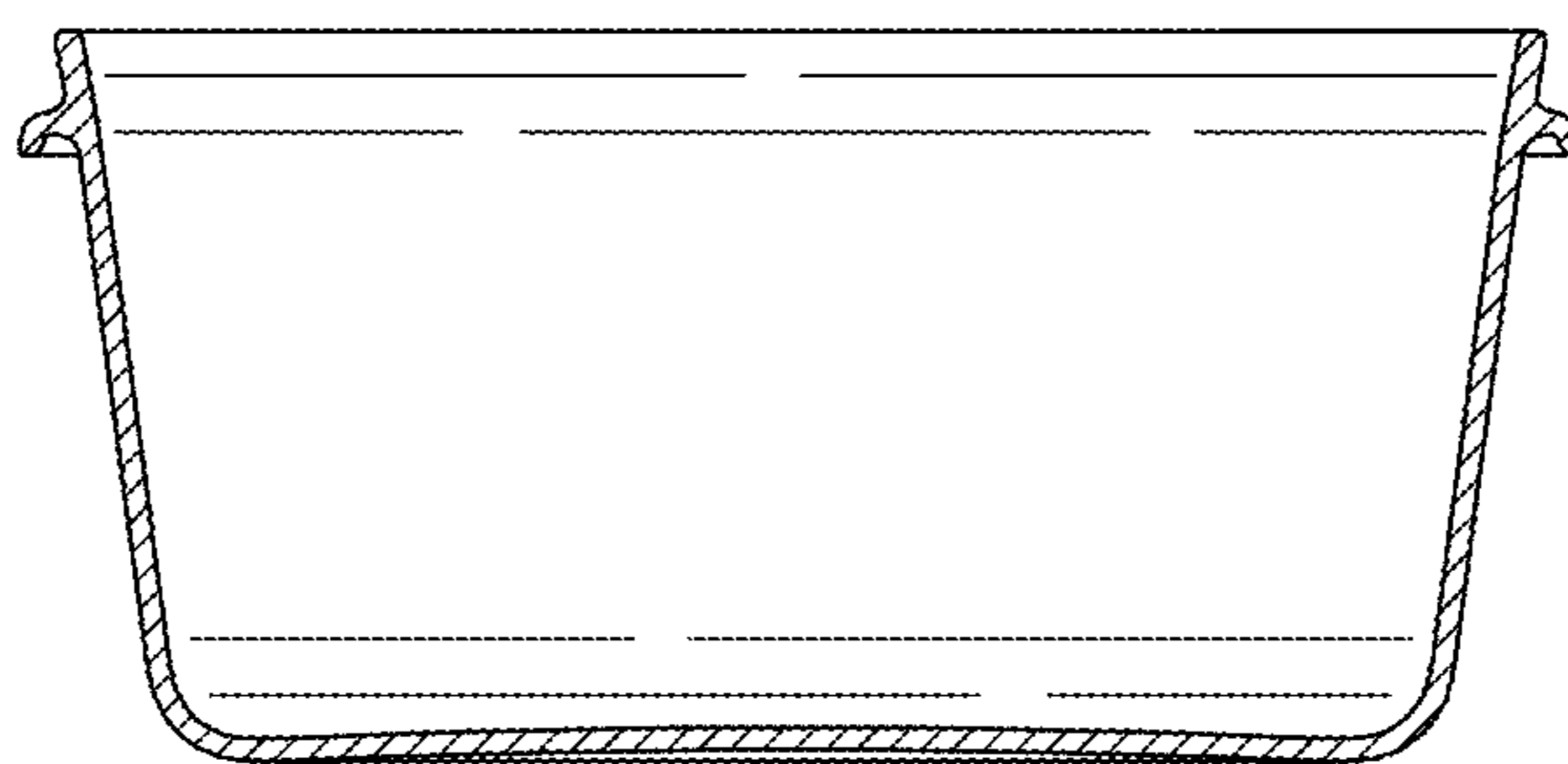


FIG. 20

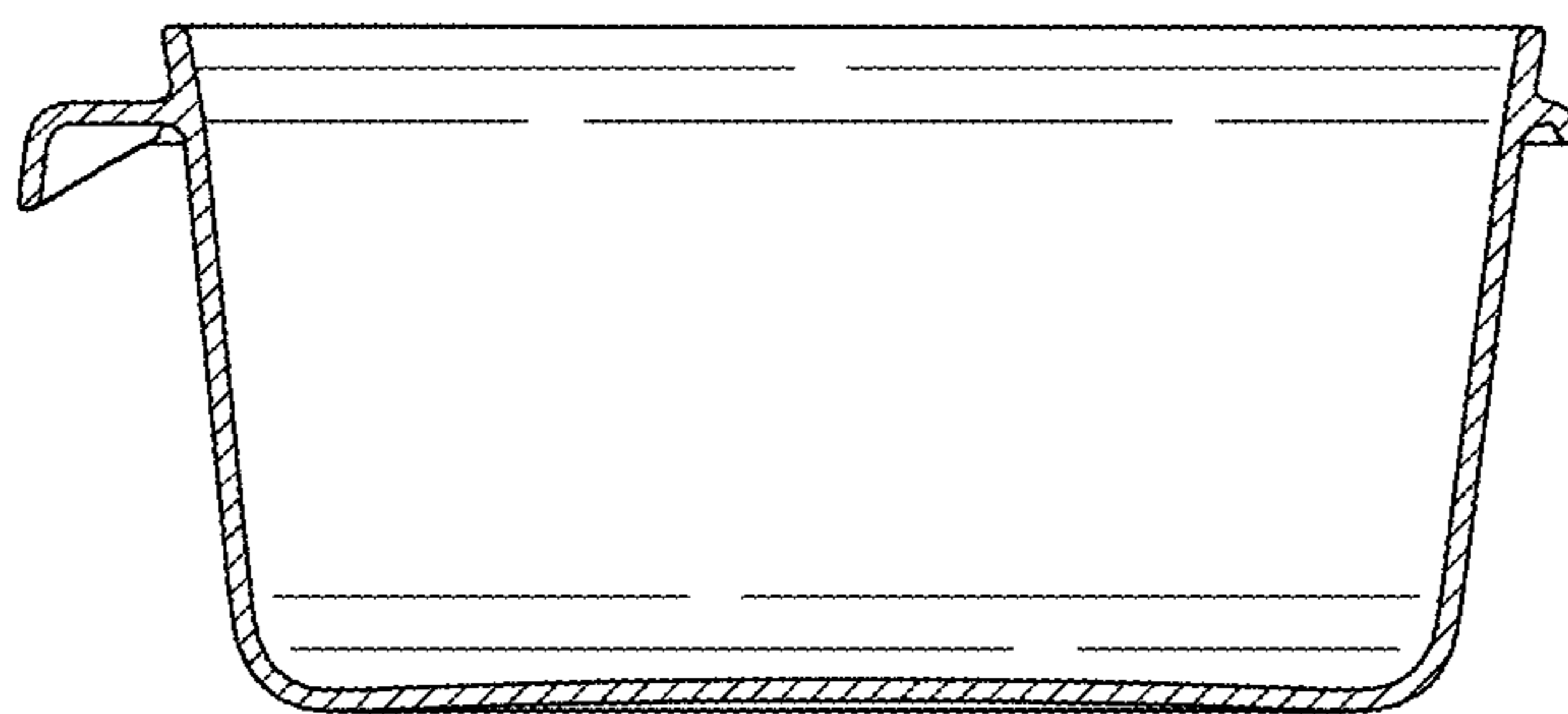


FIG. 21

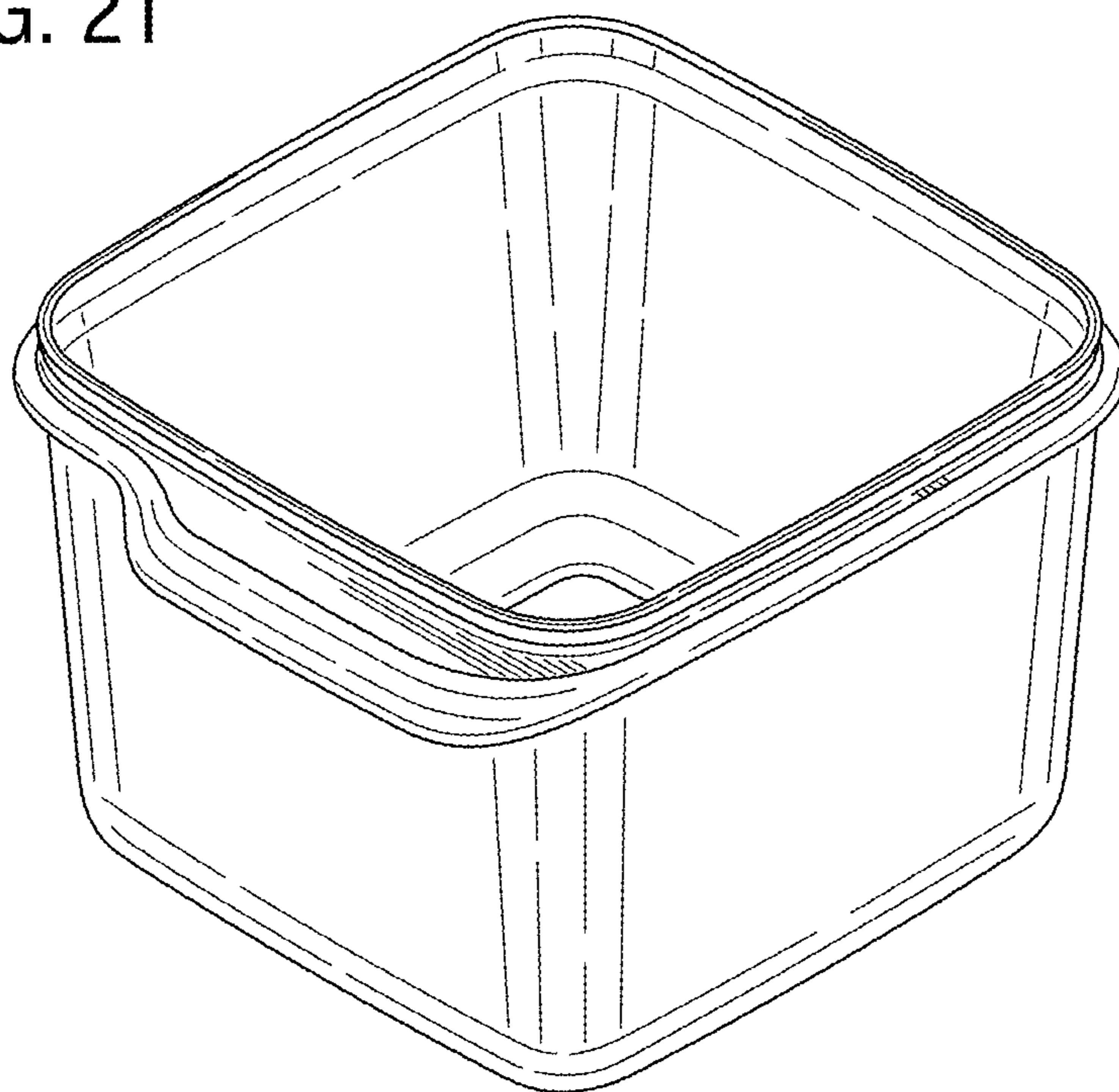
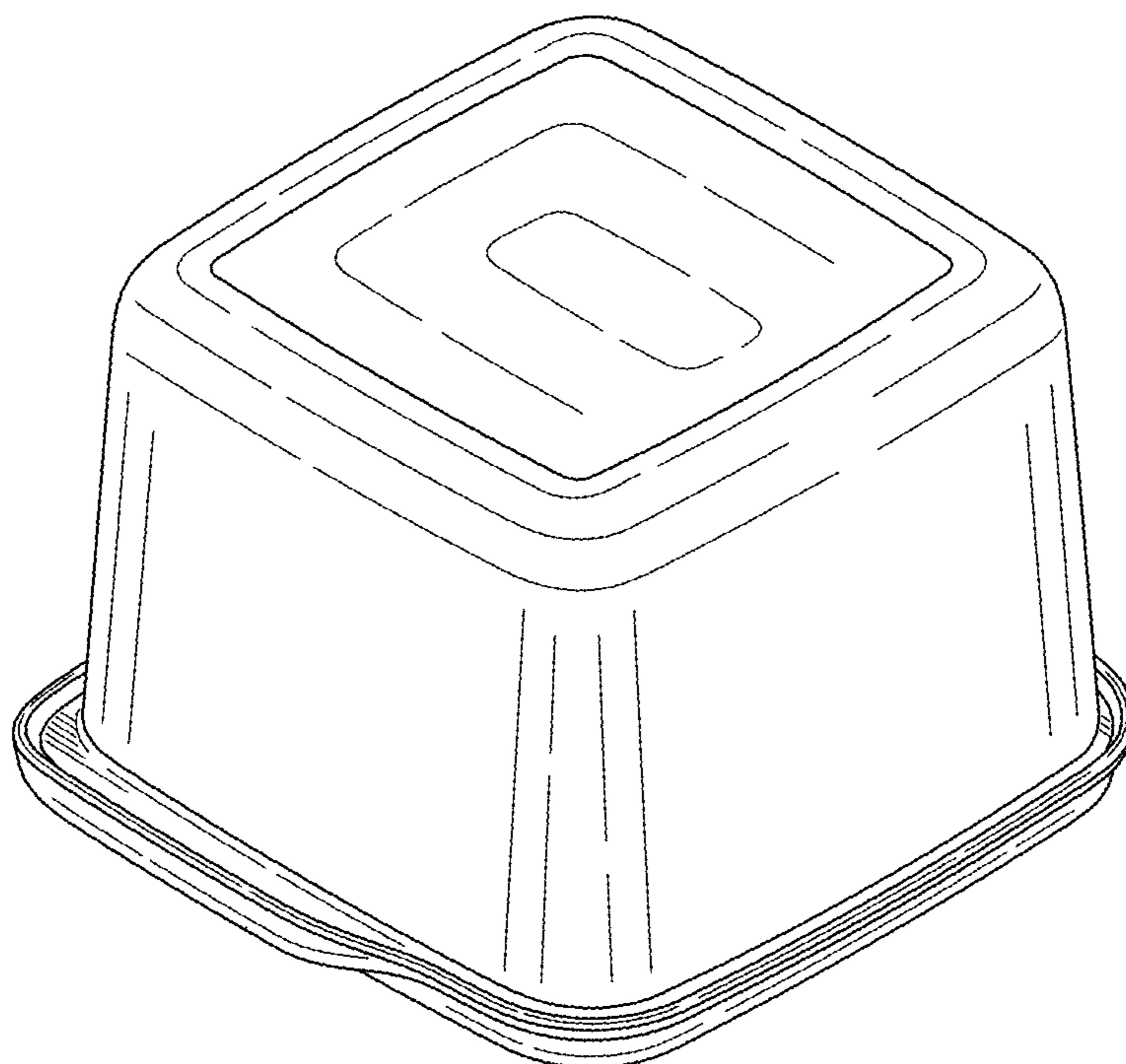


FIG. 22



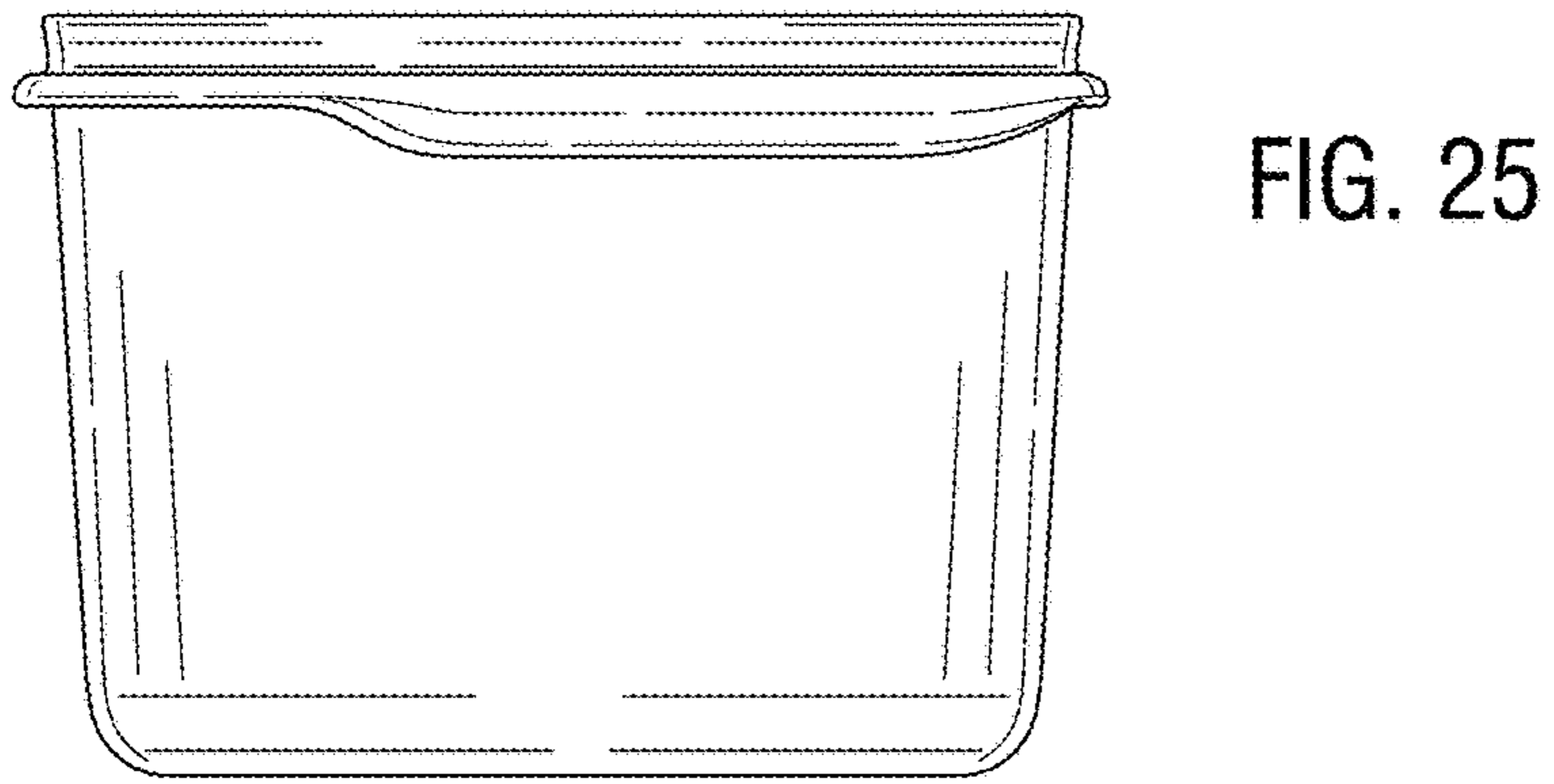
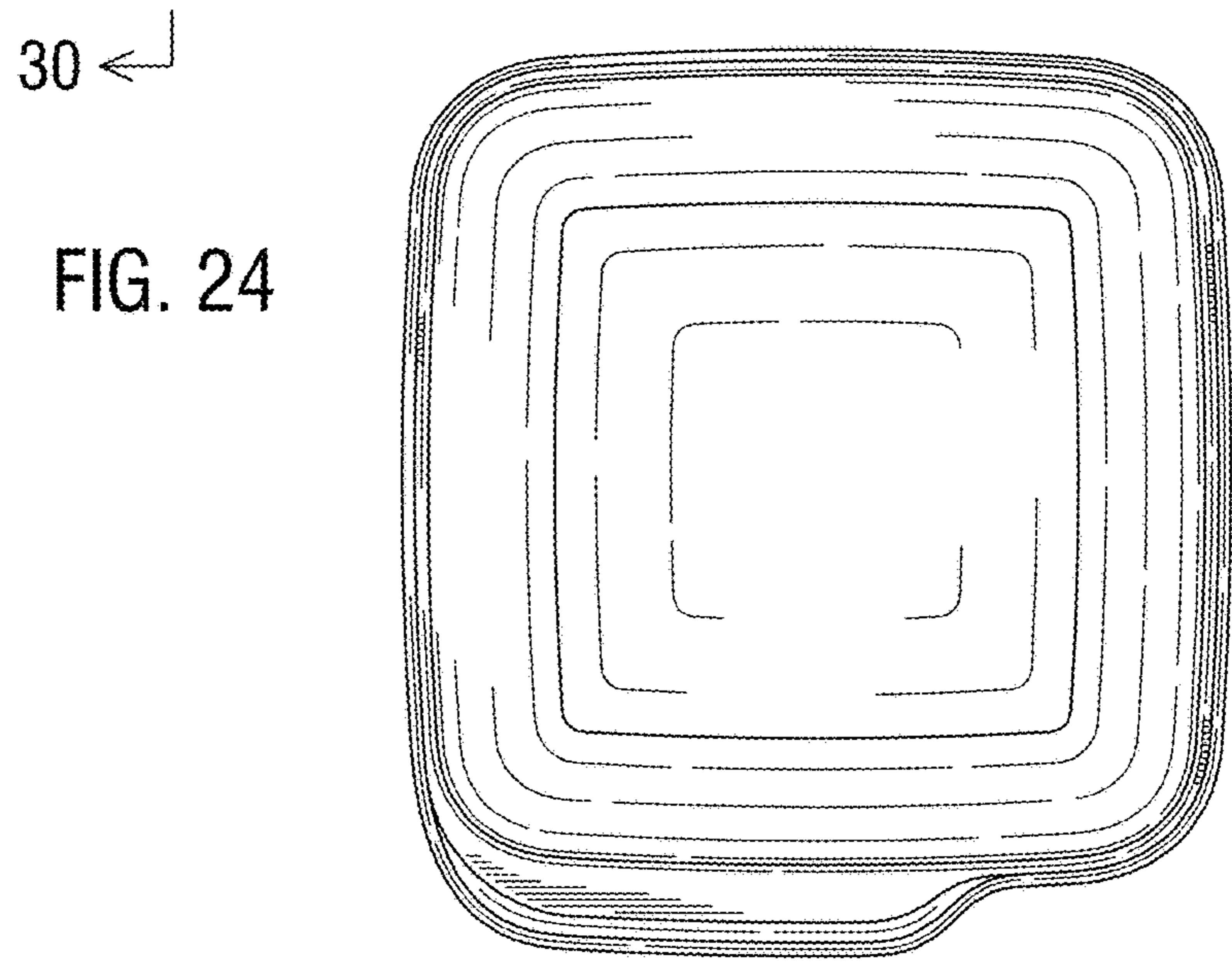
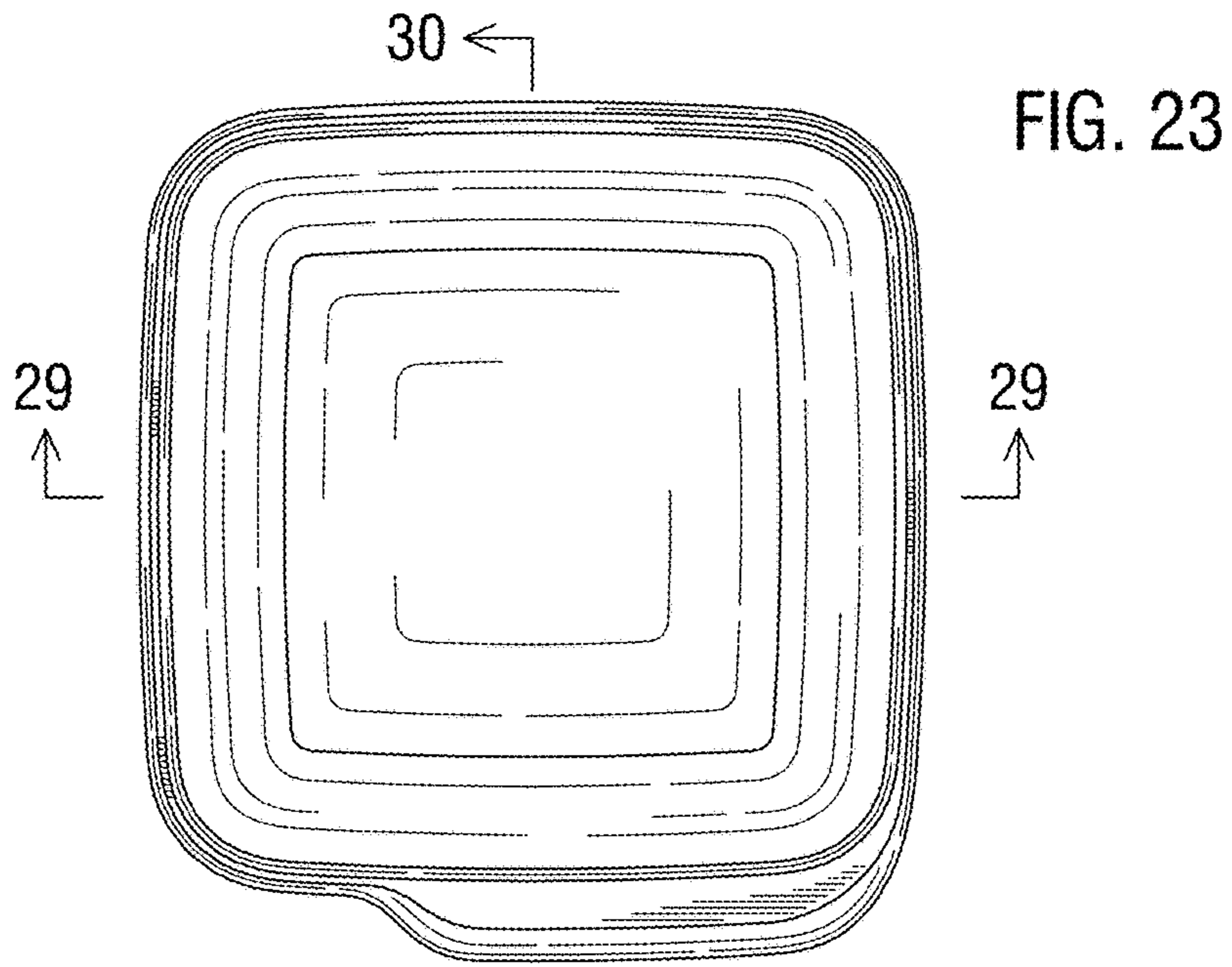


FIG. 26

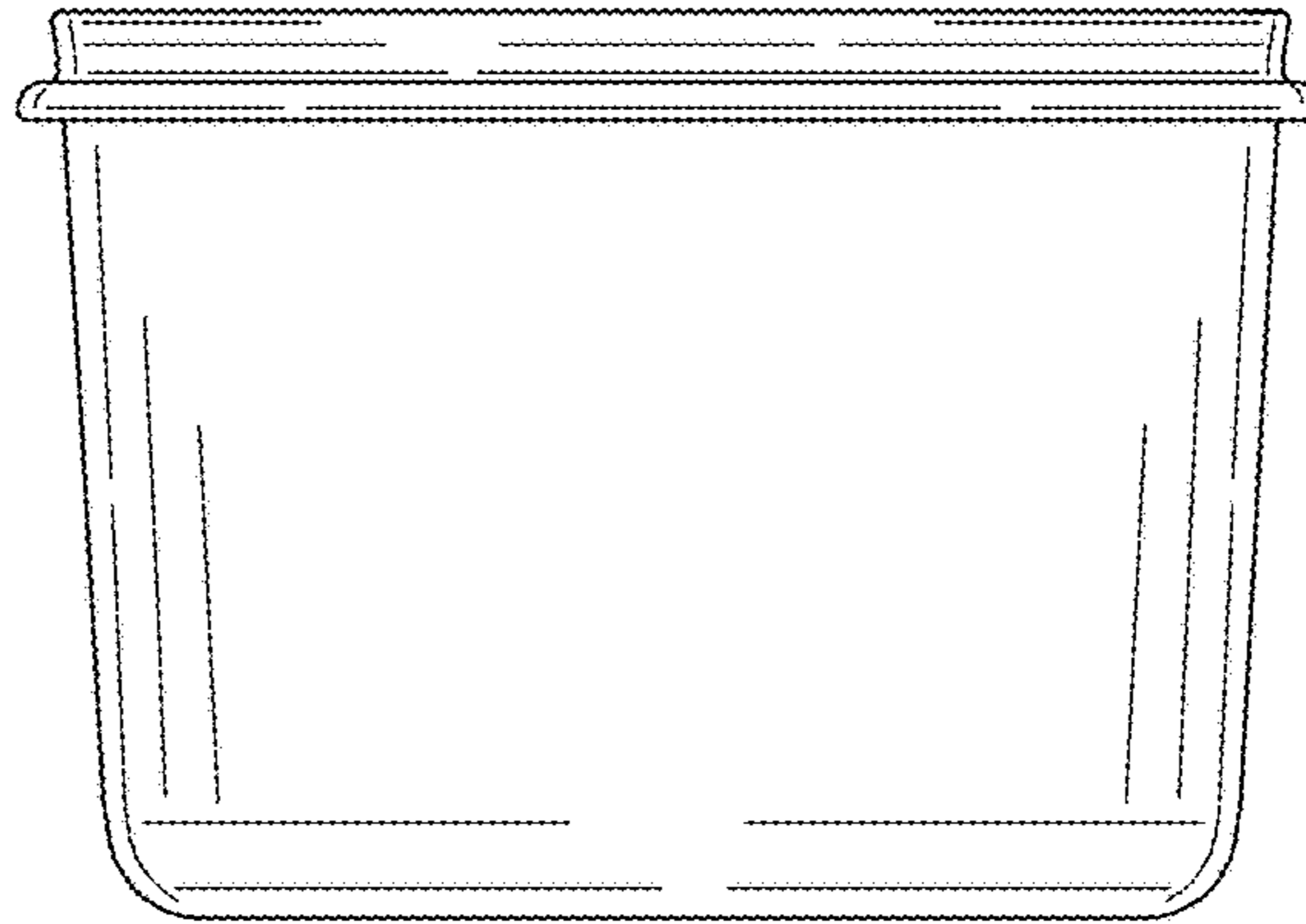


FIG. 27

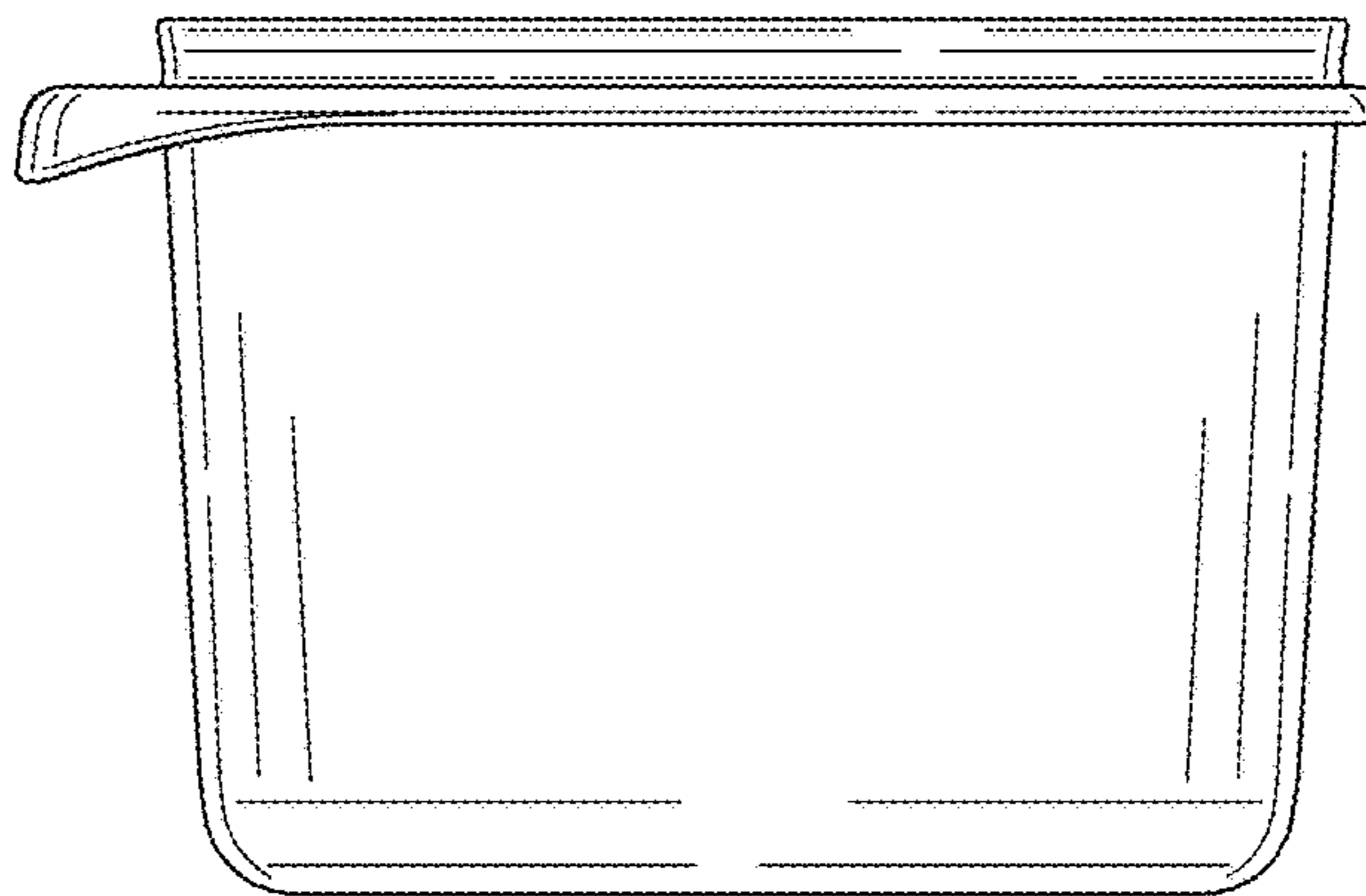


FIG. 28

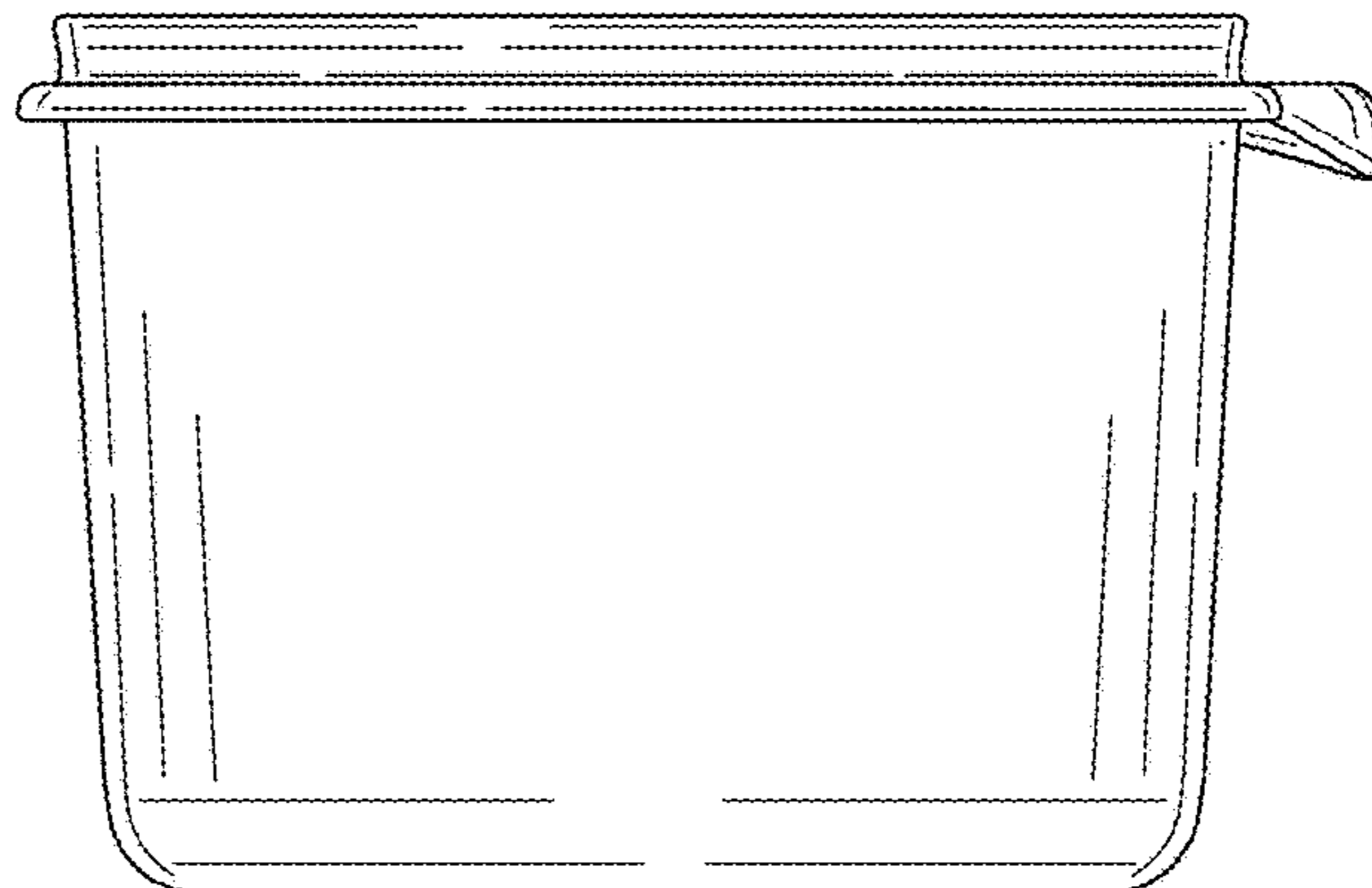


FIG. 29

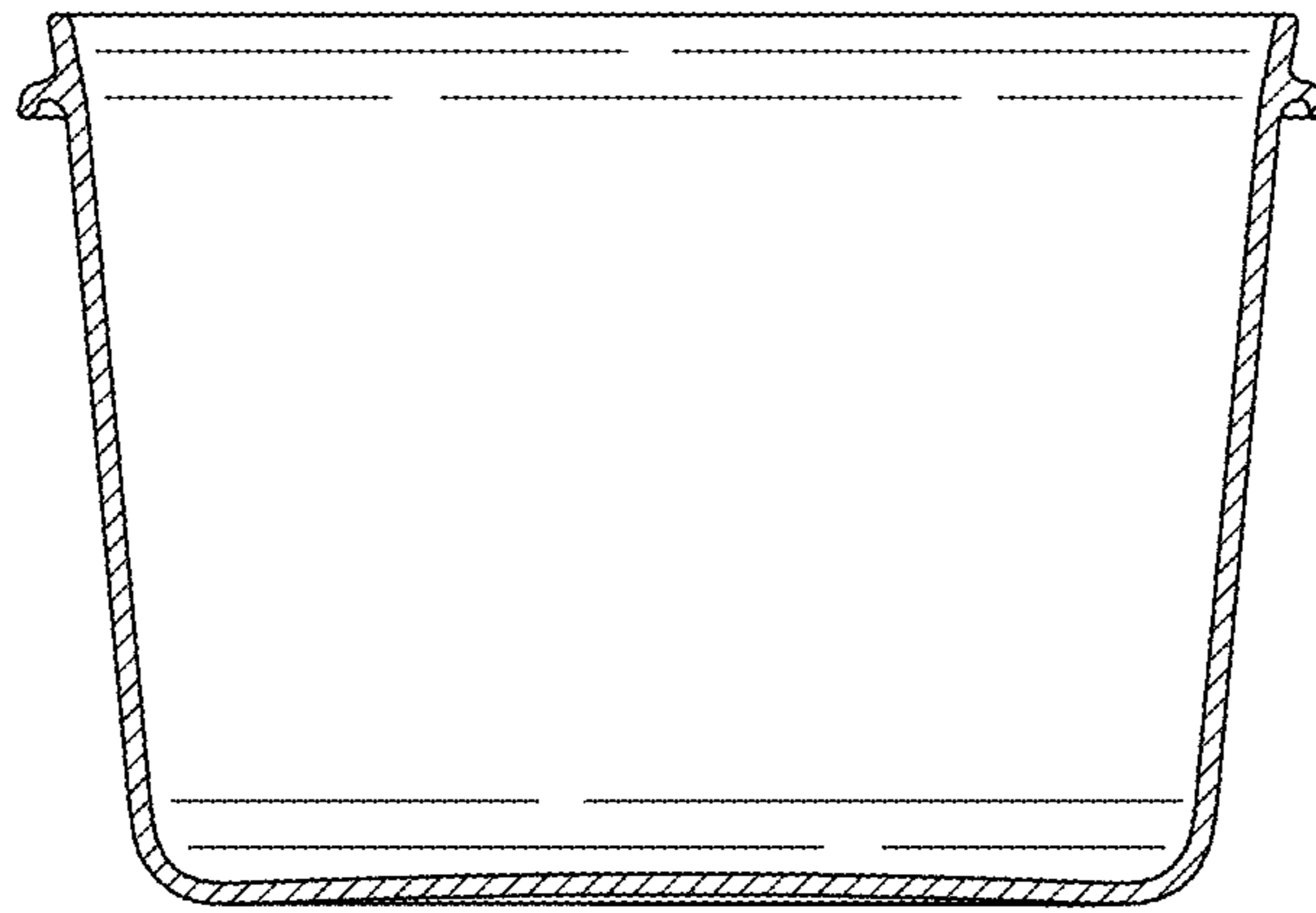


FIG. 30

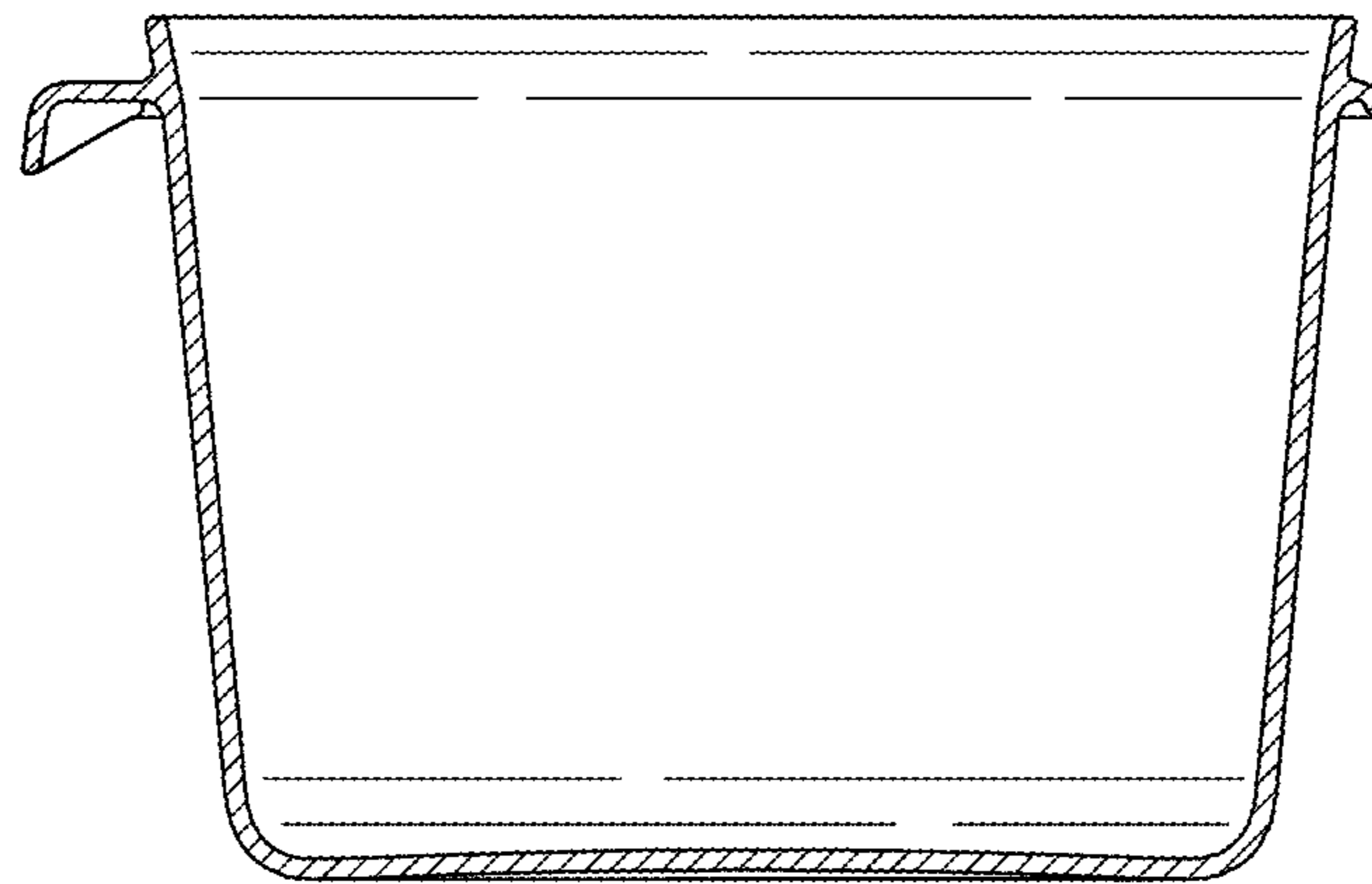


FIG. 31

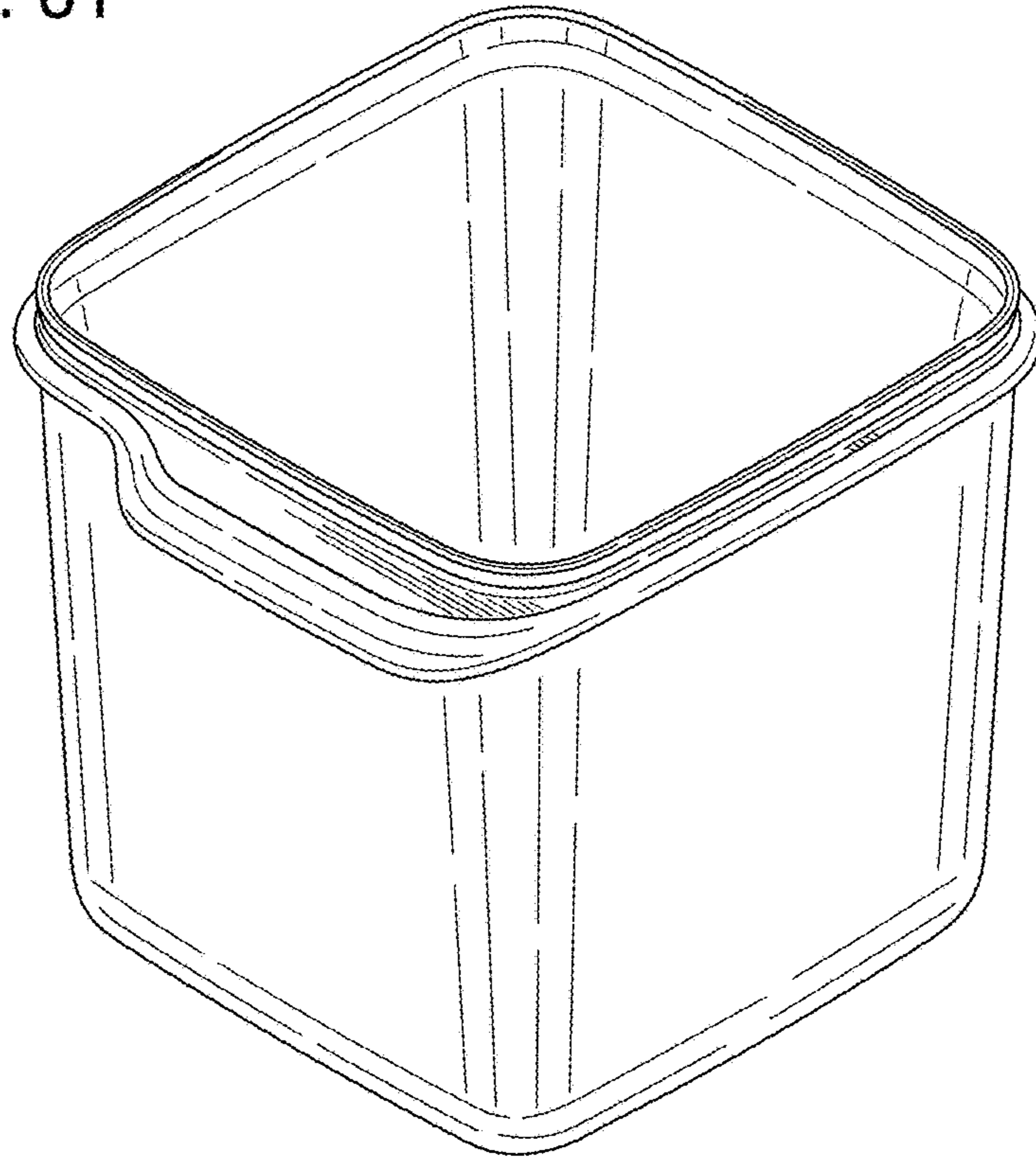


FIG. 22

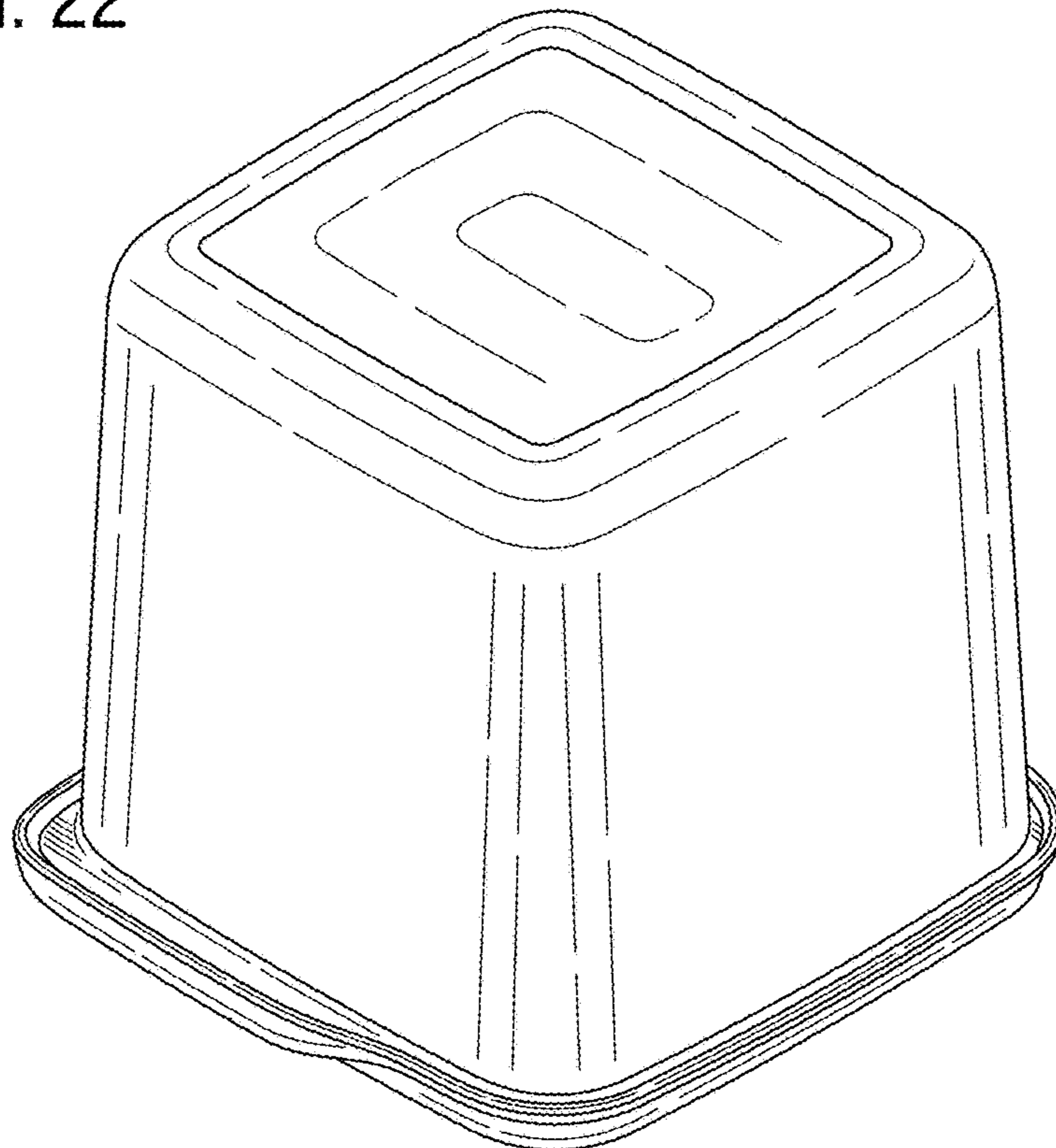


FIG. 33

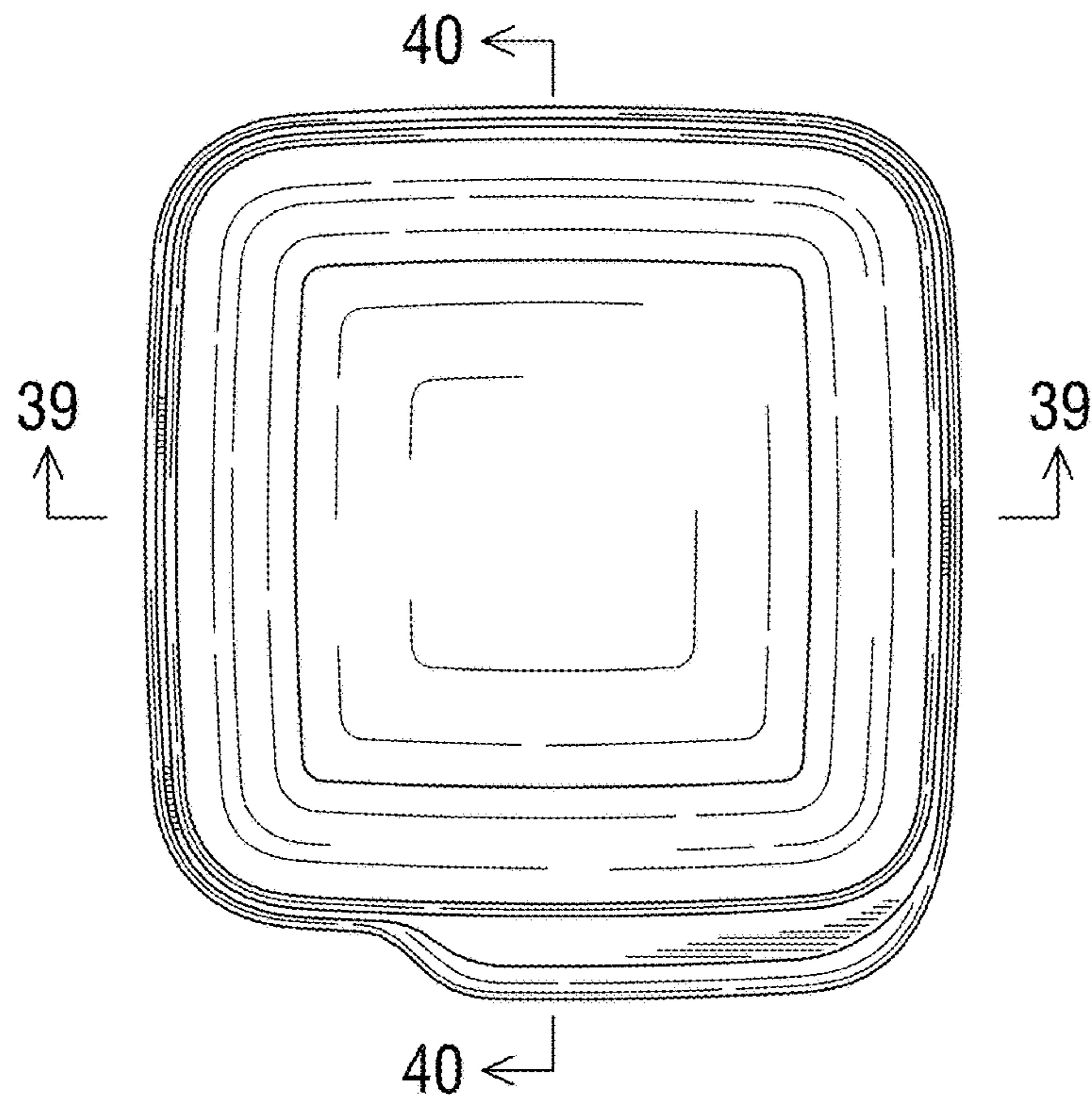


FIG. 34

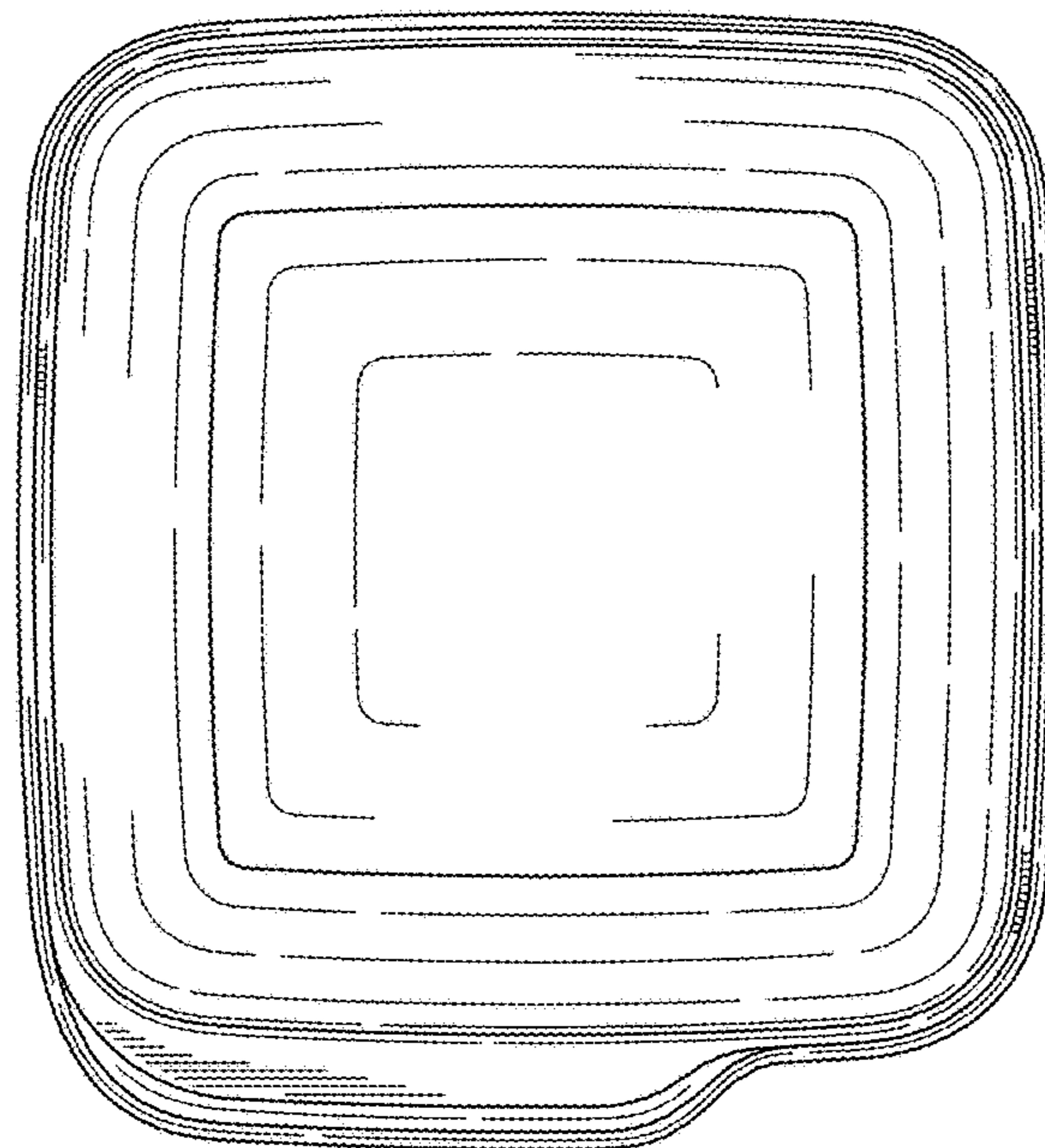


FIG. 35

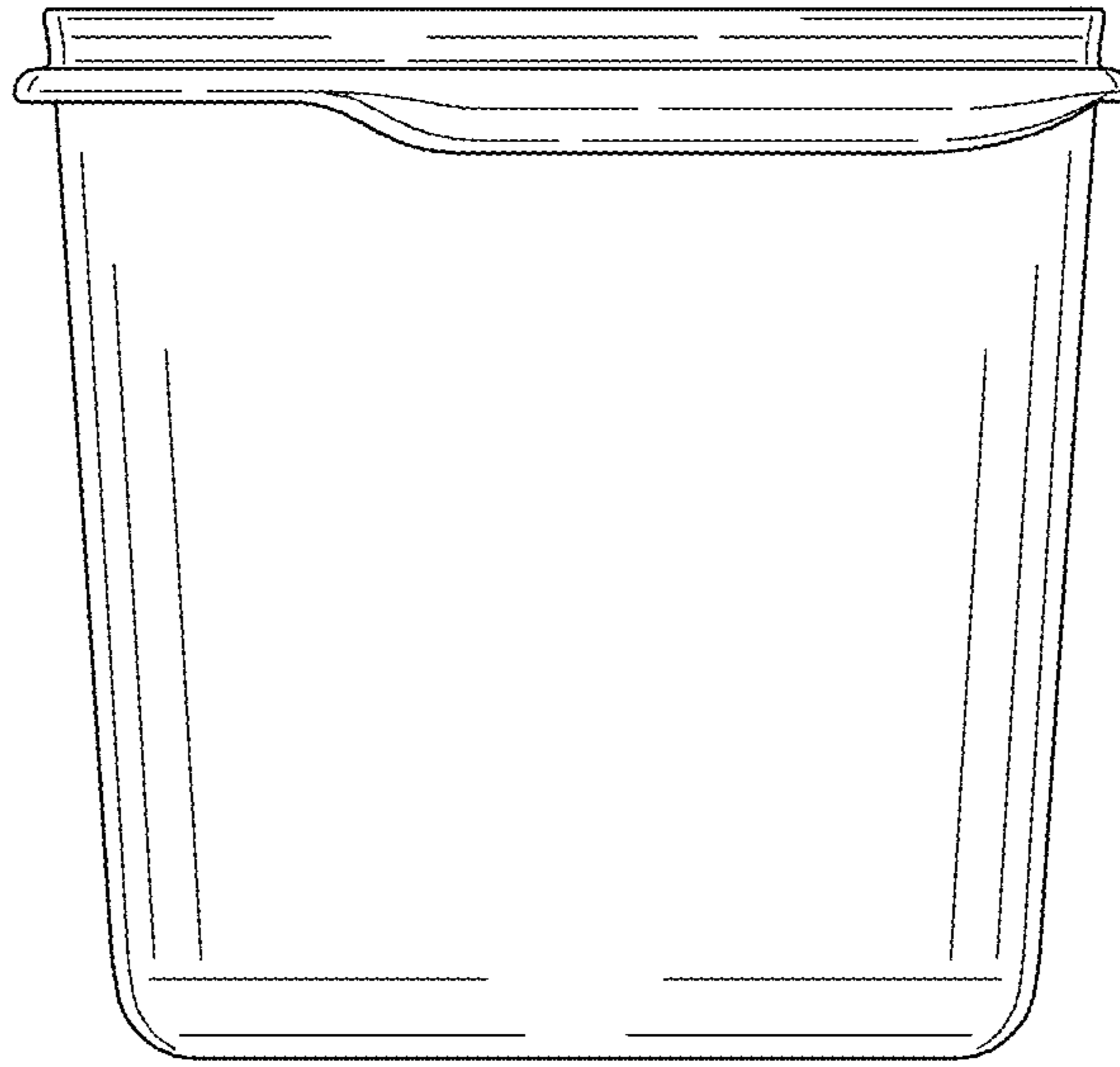


FIG. 36

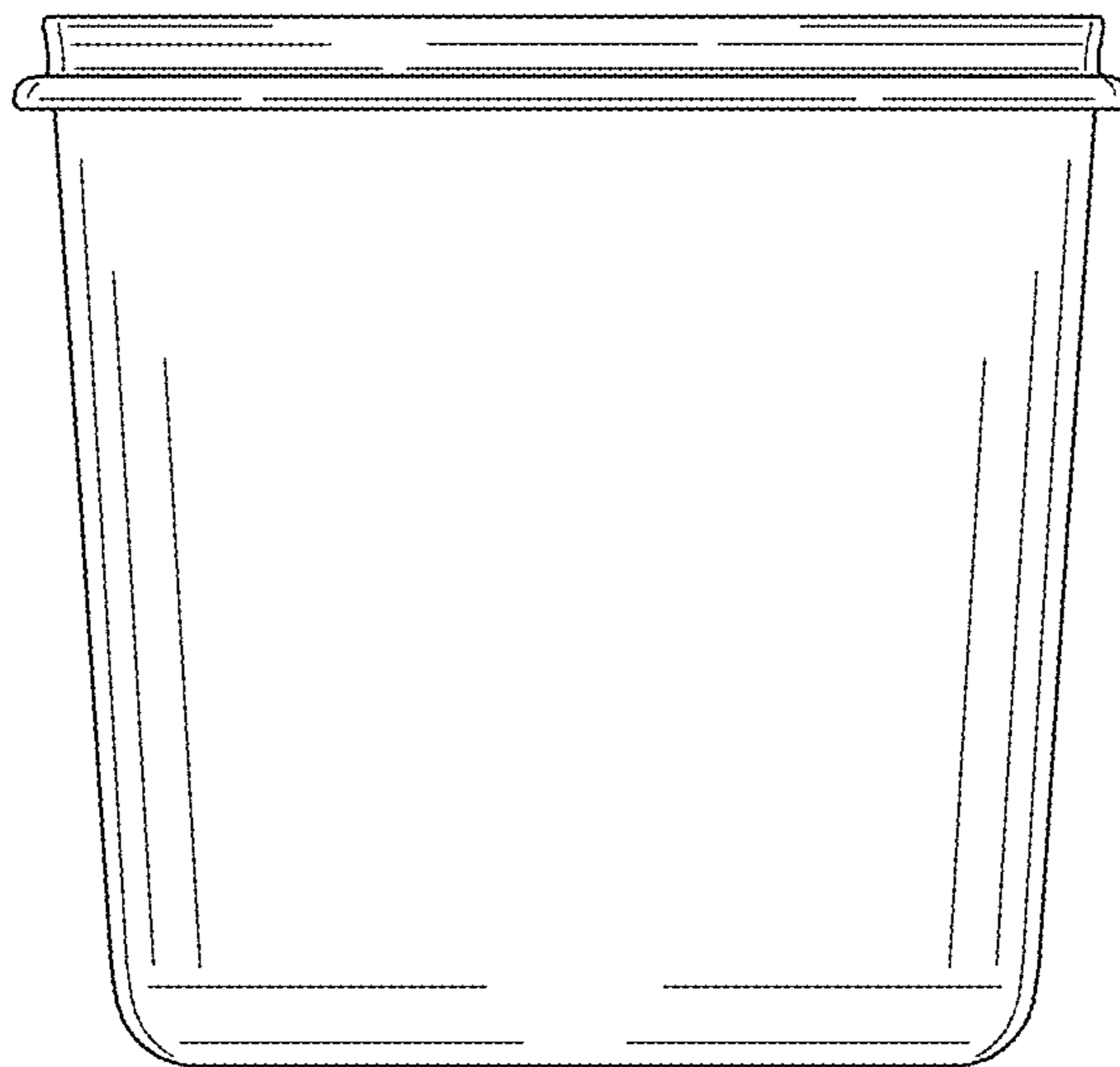


FIG. 37

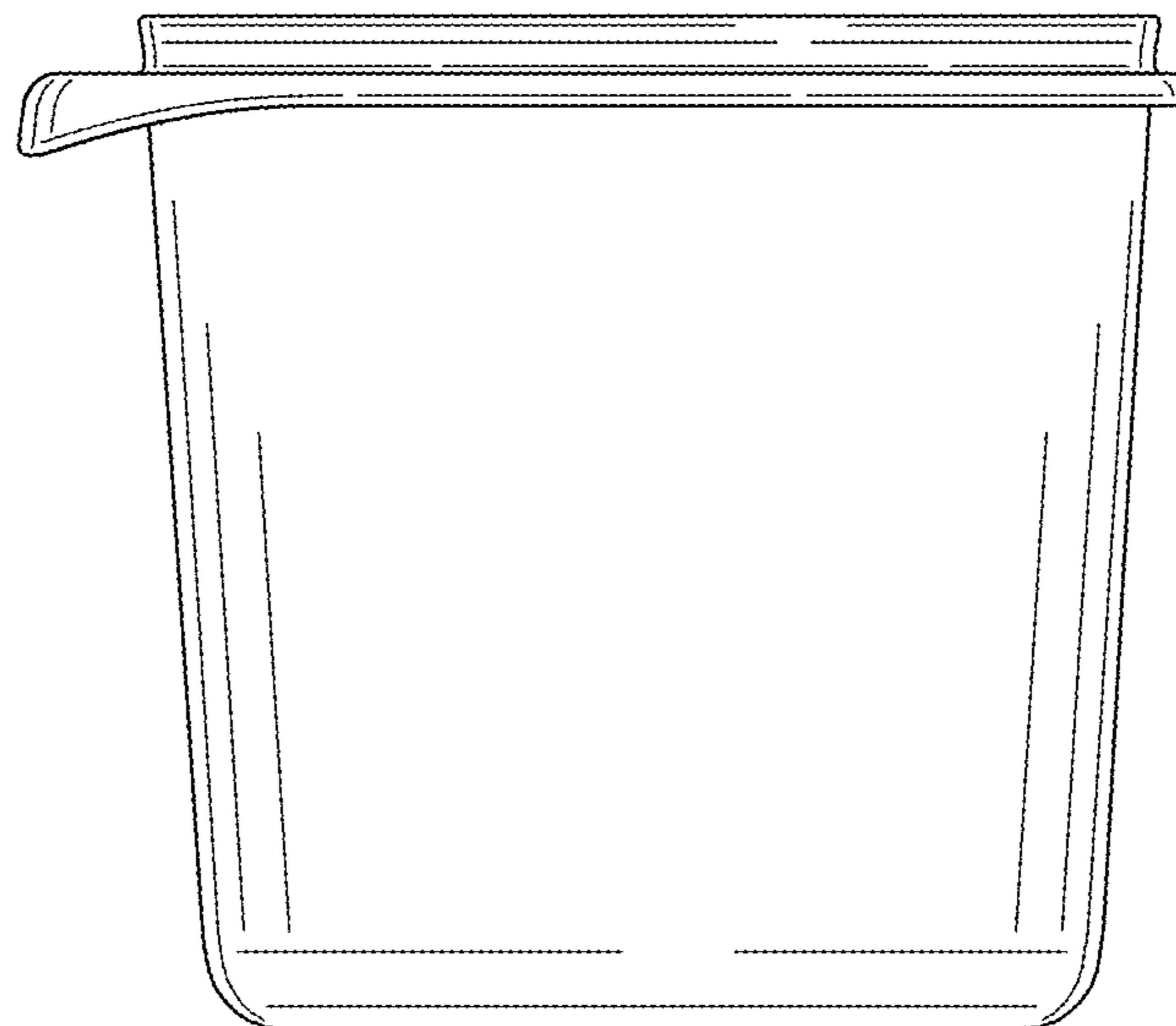


FIG. 38

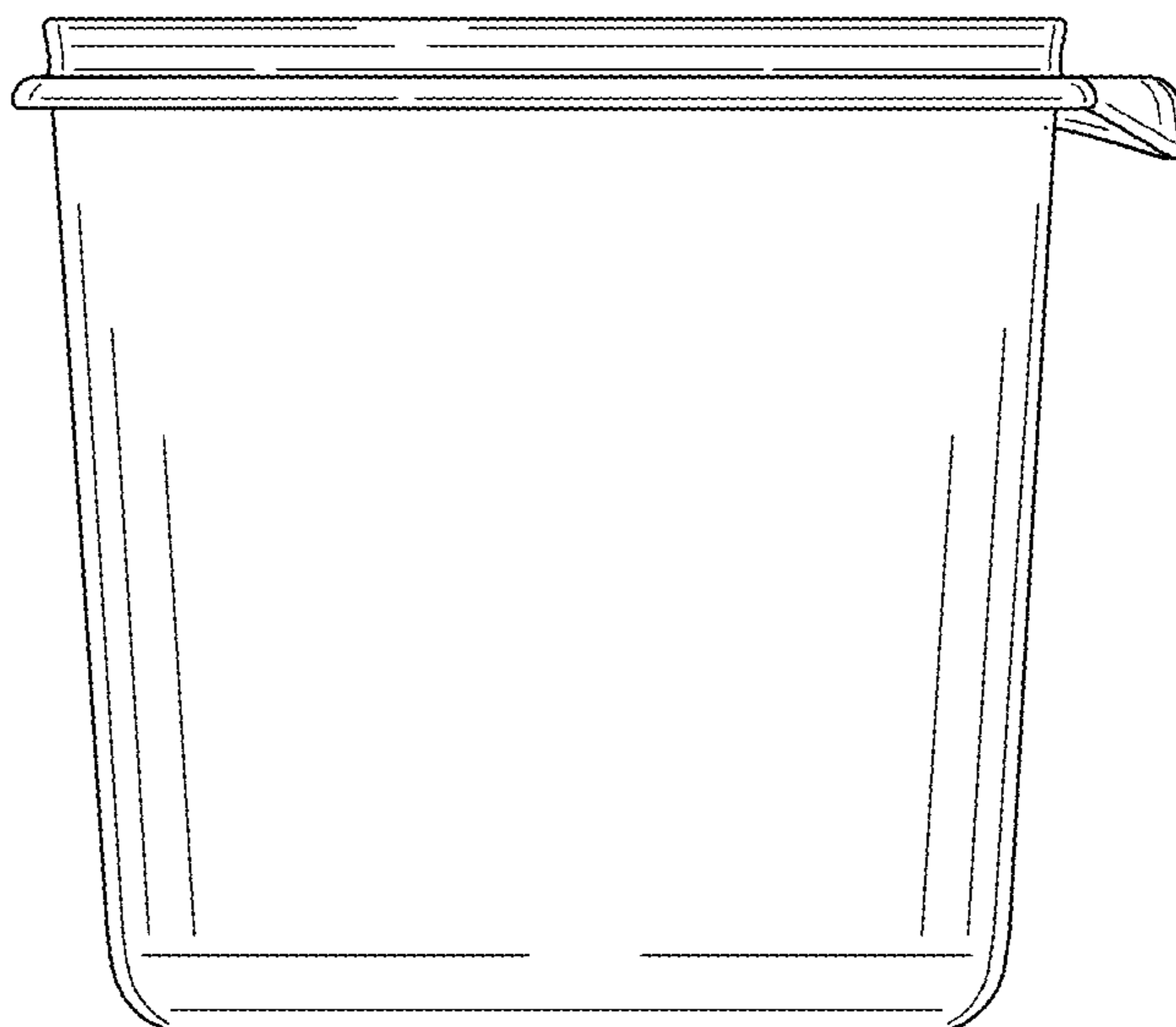


FIG. 39

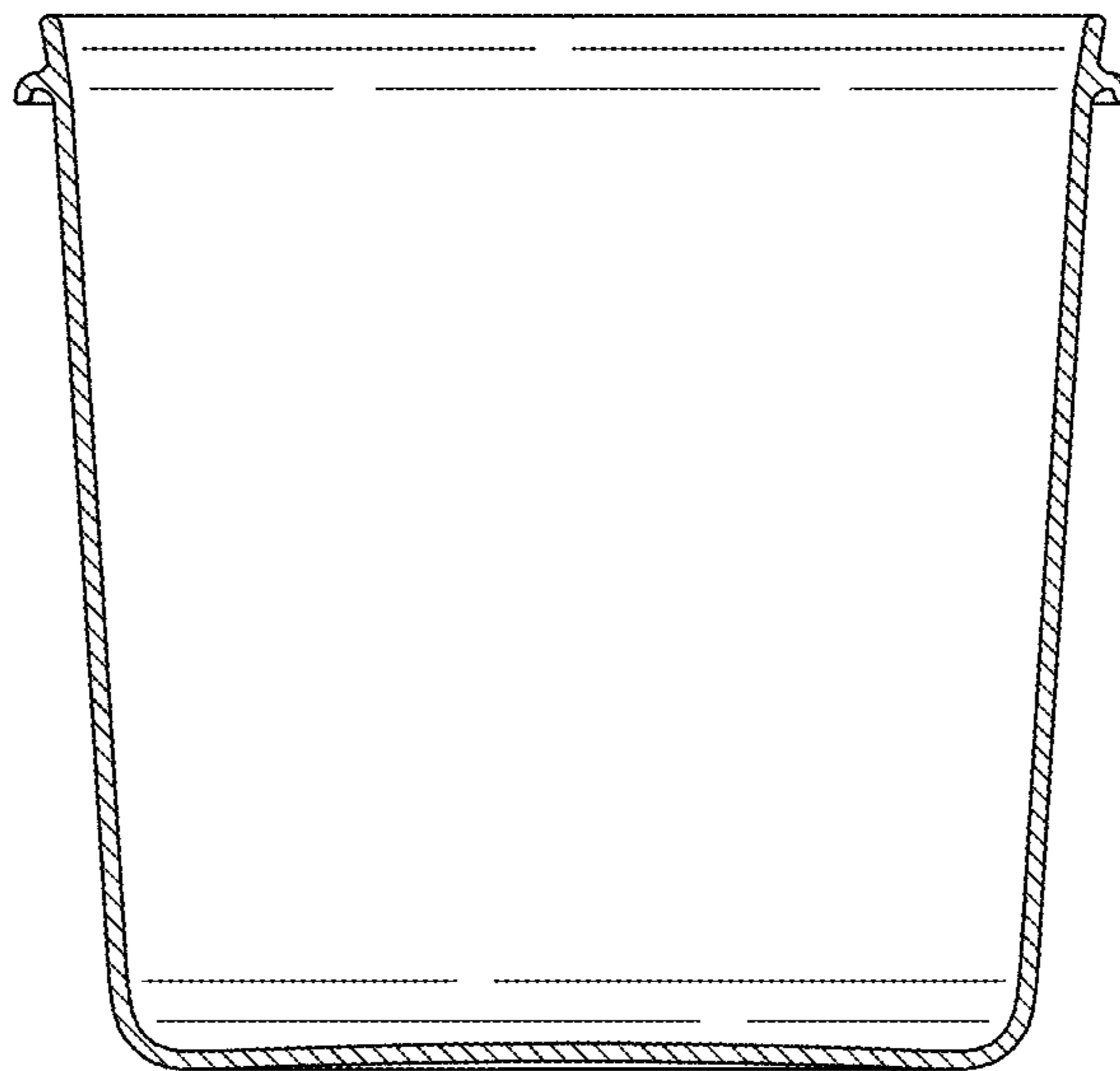


FIG. 40

