



US00D808789S

(12) **United States Design Patent** (10) **Patent No.:** **US D808,789 S**
Franklin et al. (45) **Date of Patent:** **** Jan. 30, 2018**

(54) **VALVE BRACKET FOR MOUNTING FUEL SYSTEM COMPONENTS**

2,502,065 A * 3/1950 Shobe E03D 1/34
384/27

D163,892 S 7/1951 Mitchell
2,686,029 A * 8/1954 Raymond E04H 12/32
248/201

(71) Applicant: **Eaton Corporation**, Cleveland, OH
(US)

(Continued)

(72) Inventors: **Max Russell Franklin**, Birmingham,
MI (US); **Tamara Orshanskaya**,
Farmington Hills, MI (US)

FOREIGN PATENT DOCUMENTS

CN 301645790 * 8/2011
JP D1429948 12/2011
JP D1510119 * 10/2014

(73) Assignee: **Eaton Corporation**, Cleveland, OH
(US)

OTHER PUBLICATIONS

(**) Term: **15 Years**

BMW E36 Z3 Cabrio Fuel Tank Breather Valve Bracket eBay
website 2017, <http://www.ebay.com/itm/Genuine-BMW-E36-Z3-Cabrio-Fuel-Tank-Breather-Valve-Bracket-OEM-13901435567-/201587418040>, [site visited Sep. 12, 2017 6:03:16 PM].*

(21) Appl. No.: **29/573,467**

(Continued)

(22) Filed: **Aug. 5, 2016**

Related U.S. Application Data

(63) Continuation-in-part of application No. 29/516,018,
filed on Jan. 28, 2015, now abandoned.

(51) **LOC (11) Cl.** **08-08**

(52) **U.S. Cl.**
USPC **D8/396**

(58) **Field of Classification Search**
USPC D8/394-396; 428/588, 602
CPC F16K 5/0647; B60K 15/063; B60K 15/03
See application file for complete search history.

Primary Examiner — John Windmuller

Assistant Examiner — John R Yeh

(74) *Attorney, Agent, or Firm* — RMCK Law Group PLC

(57) **CLAIM**

The ornamental design for a valve bracket for mounting fuel
system components, as shown and described.

DESCRIPTION

FIG. 1 is a top perspective view of our design for a valve
bracket for mounting fuel system components;
FIG. 2 is a bottom perspective view thereof;
FIG. 3 is a top view thereof;
FIG. 4 is a bottom view thereof;
FIG. 5 is a first side view thereof;
FIG. 6 is a second side view thereof;
FIG. 7 is a front view thereof; and,
FIG. 8 is a rear view thereof.

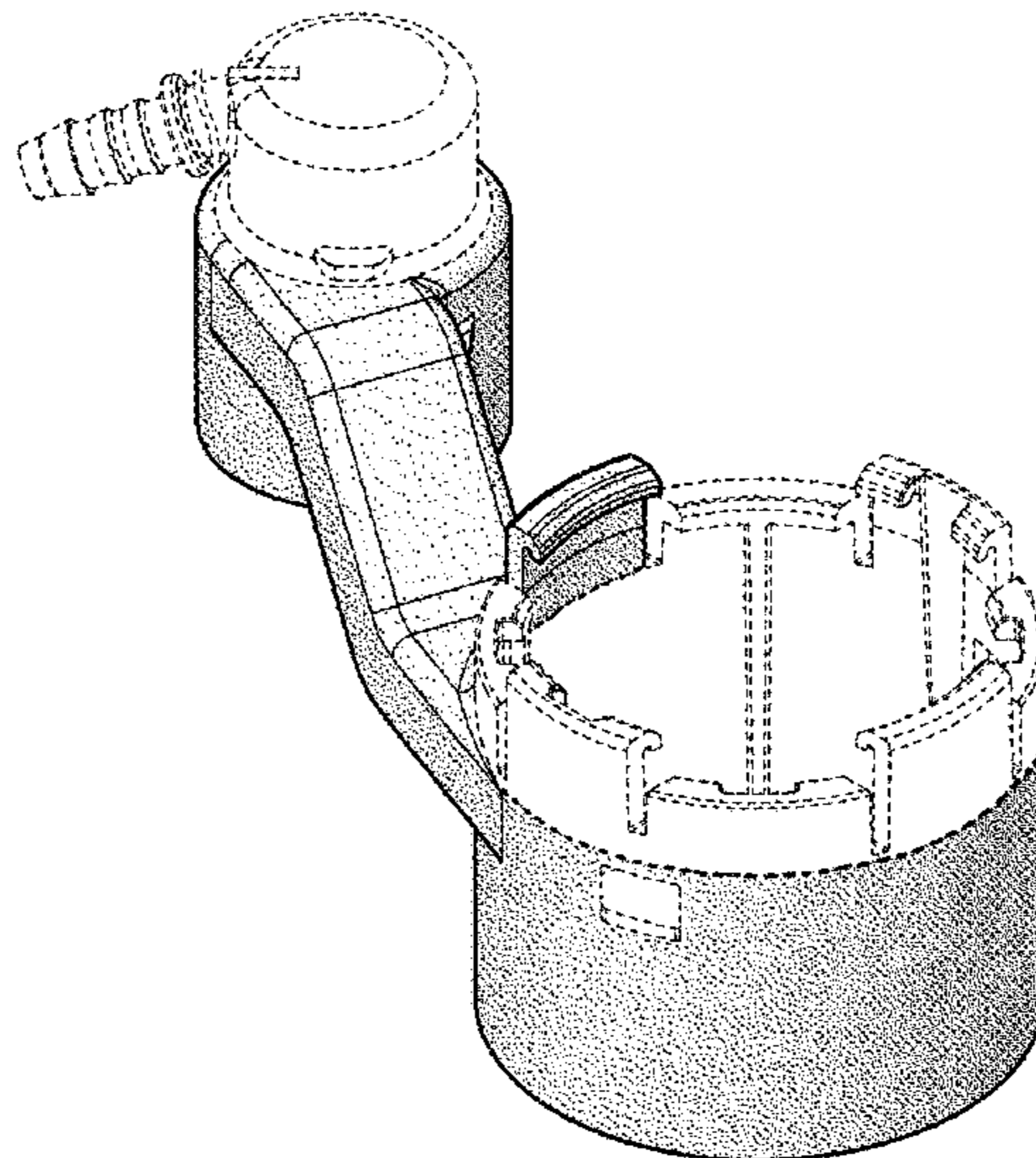
The broken lines in the figures depict portions of the valve
bracket for mounting fuel system components that form no
part of the claimed design.

(56) **References Cited**

U.S. PATENT DOCUMENTS

229,670 A * 7/1880 Carrick F16C 25/02
248/229.24
553,182 A * 1/1896 Wegner B60K 15/063
180/69.4
1,991,907 A * 2/1935 Platt E03D 1/34
384/27

1 Claim, 5 Drawing Sheets



(56)

References Cited

U.S. PATENT DOCUMENTS

2,699,915 A * 1/1955 Goepfrich F16K 31/06
251/121
3,195,561 A 7/1965 Sovitzky
3,349,927 A * 10/1967 Blatt B21D 43/18
24/463
D245,755 S 9/1977 Lewis
4,479,661 A * 10/1984 Weigl B62K 21/00
248/513
4,693,223 A 9/1987 Eshleman et al.
D320,548 S * 10/1991 Blatt D8/396
D340,183 S * 10/1993 Rumpel D8/349
D411,440 S * 6/1999 Stahel D8/396
6,068,229 A 5/2000 Wang et al.
6,148,797 A 11/2000 Gmelin
6,178,950 B1 1/2001 Stockner et al.
D443,815 S * 6/2001 Adriaenssens D4/199
D449,973 S 11/2001 Ferrer
D466,984 S 12/2002 Yang
D488,705 S 4/2004 Mendelsohn et al.
D527,802 S 9/2006 Schaffeld et al.
D538,889 S 3/2007 Marstorp
D587,341 S 2/2009 Stetson
D630,570 S 1/2011 Greenthal
D632,544 S 2/2011 Garcia et al.
D634,187 S * 3/2011 Kozel D8/396
D647,788 S * 11/2011 Weaver D8/396
D650,316 S 12/2011 Pirolo et al.
D652,365 S 1/2012 Lindloff
D652,487 S 1/2012 Brewer et al.
D660,690 S * 5/2012 Mixides D8/396
8,286,612 B2 10/2012 Biasci et al.
8,297,576 B2 10/2012 McLeod
D686,696 S 7/2013 Lai
D711,510 S 8/2014 Halldorsson

D714,911 S 10/2014 Cai
D724,697 S 3/2015 Johnson
D730,165 S * 5/2015 Refior D8/349
D732,009 S * 6/2015 Bak D14/229
D735,554 S 8/2015 Solberg
D749,940 S 2/2016 Hermle
D766,711 S * 9/2016 Babbage D8/394
D770,033 S * 10/2016 Ksiazek D23/411
9,463,690 B2 * 10/2016 Yager B60K 15/04
2003/0066981 A1 4/2003 Cross et al.
2005/0279892 A1 12/2005 Kovac et al.
2009/0095238 A1 4/2009 Lak et al.
2010/0140521 A1 * 6/2010 Burgess F16K 5/0621
251/315.1
2011/0132469 A1 6/2011 Achor et al.
2013/0319549 A1 * 12/2013 Schoenfuss B60K 15/03
137/544
2015/0008351 A1 * 1/2015 Hartman F16K 5/0647
251/315.08
2016/0023299 A1 1/2016 Moss
2016/0159192 A1 * 6/2016 Myers B60G 11/465
280/124.16
2017/0211531 A1 * 7/2017 Klaffki F02M 37/103

OTHER PUBLICATIONS

Amazon ACDelco 21009427 GM Fuel Injection Pressure Regulator Kit with Bracket, online, review date May 26, 2013.
Amazon.com: ACDelco 217-3029 GM Fuel Injector Kit with Bracket, online, review date Mar. 24, 2010.
Amazon.com: Lokar XSRK Steel Carburetor Bracket, online, review dates 2015.
Amazon.com: Toyota 23205-35101 Fuel Pump Mounting Bracket: online, review date Jan. 22, 2016.

* cited by examiner

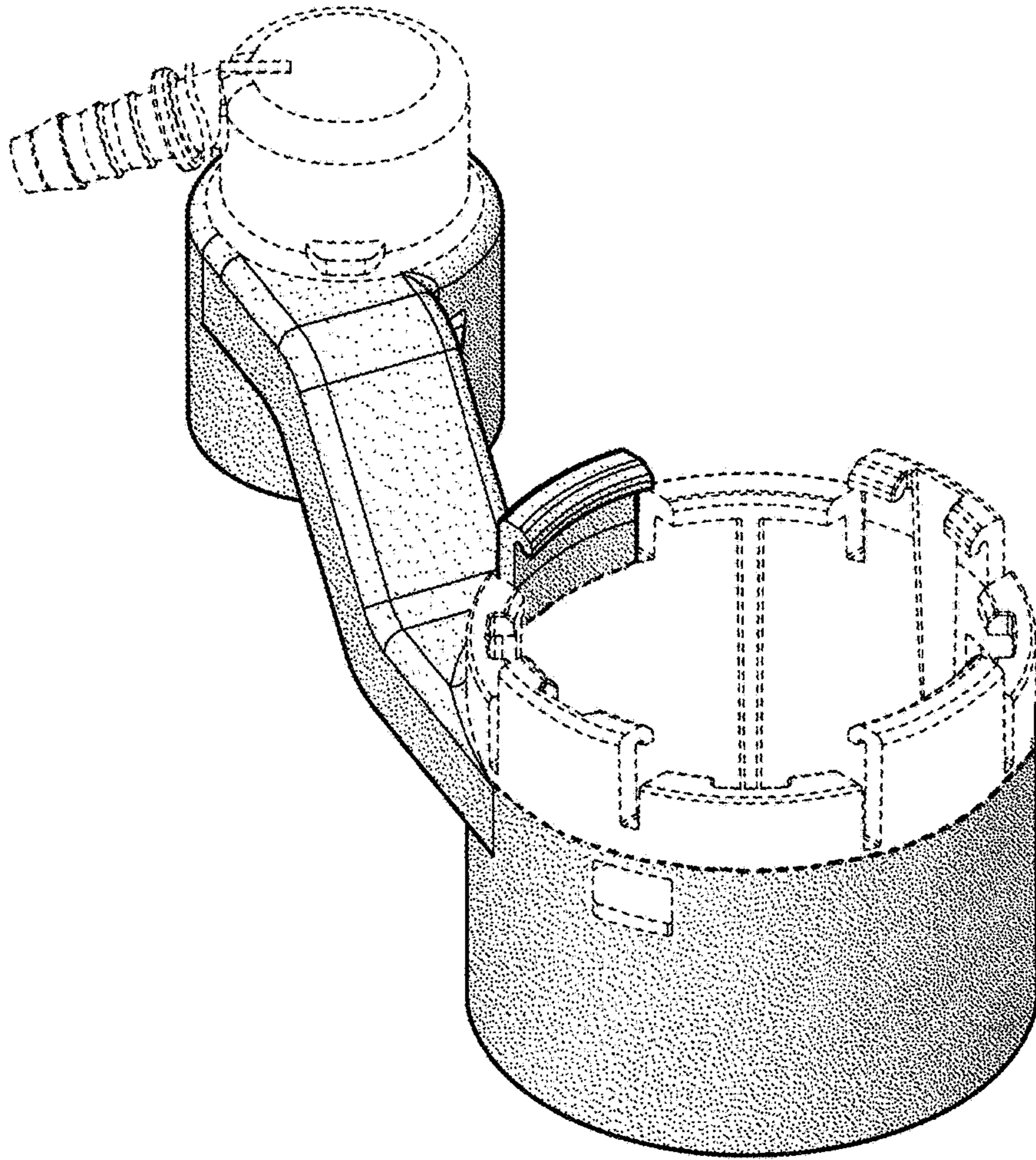


FIG. 1

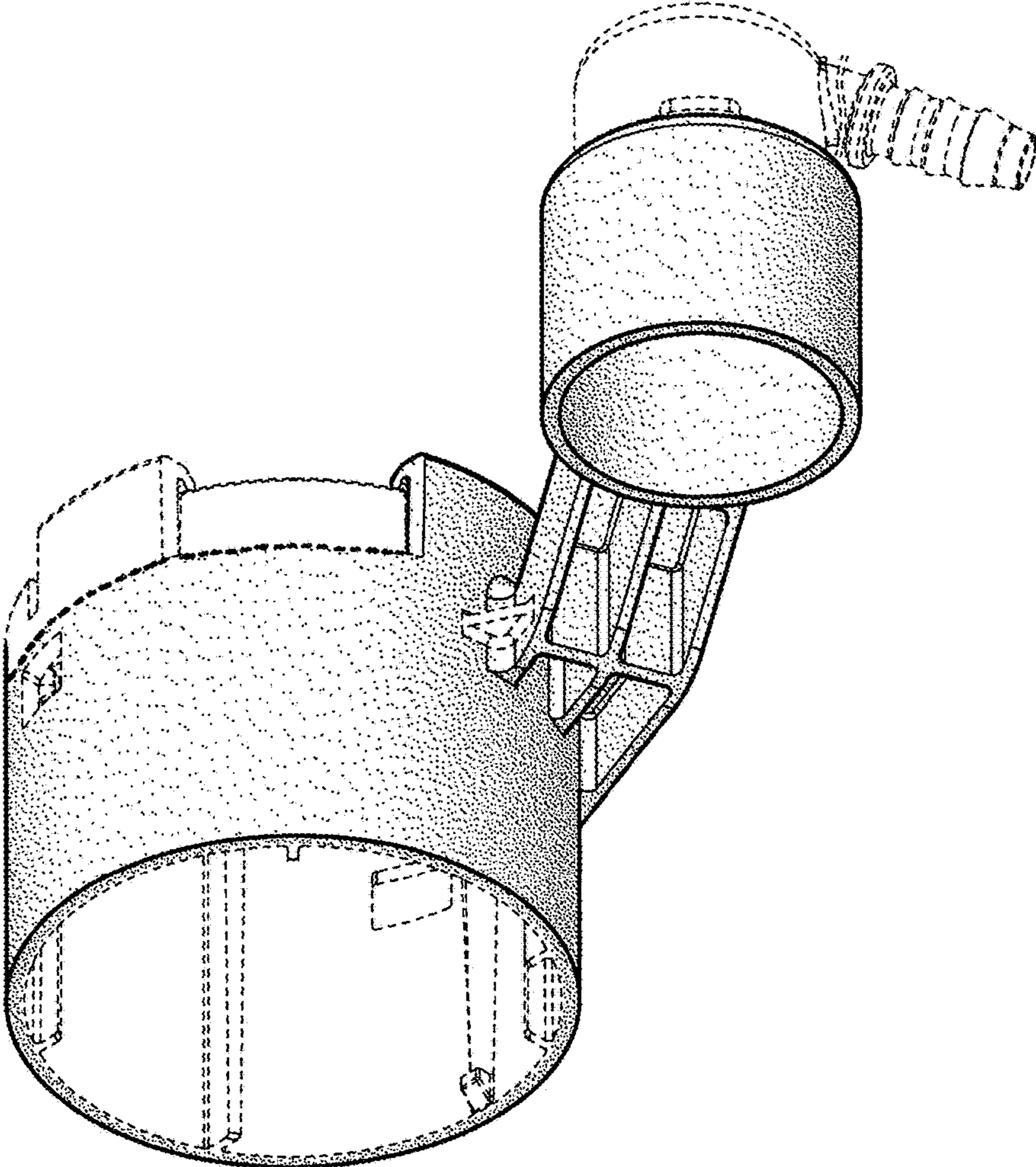


FIG. 2

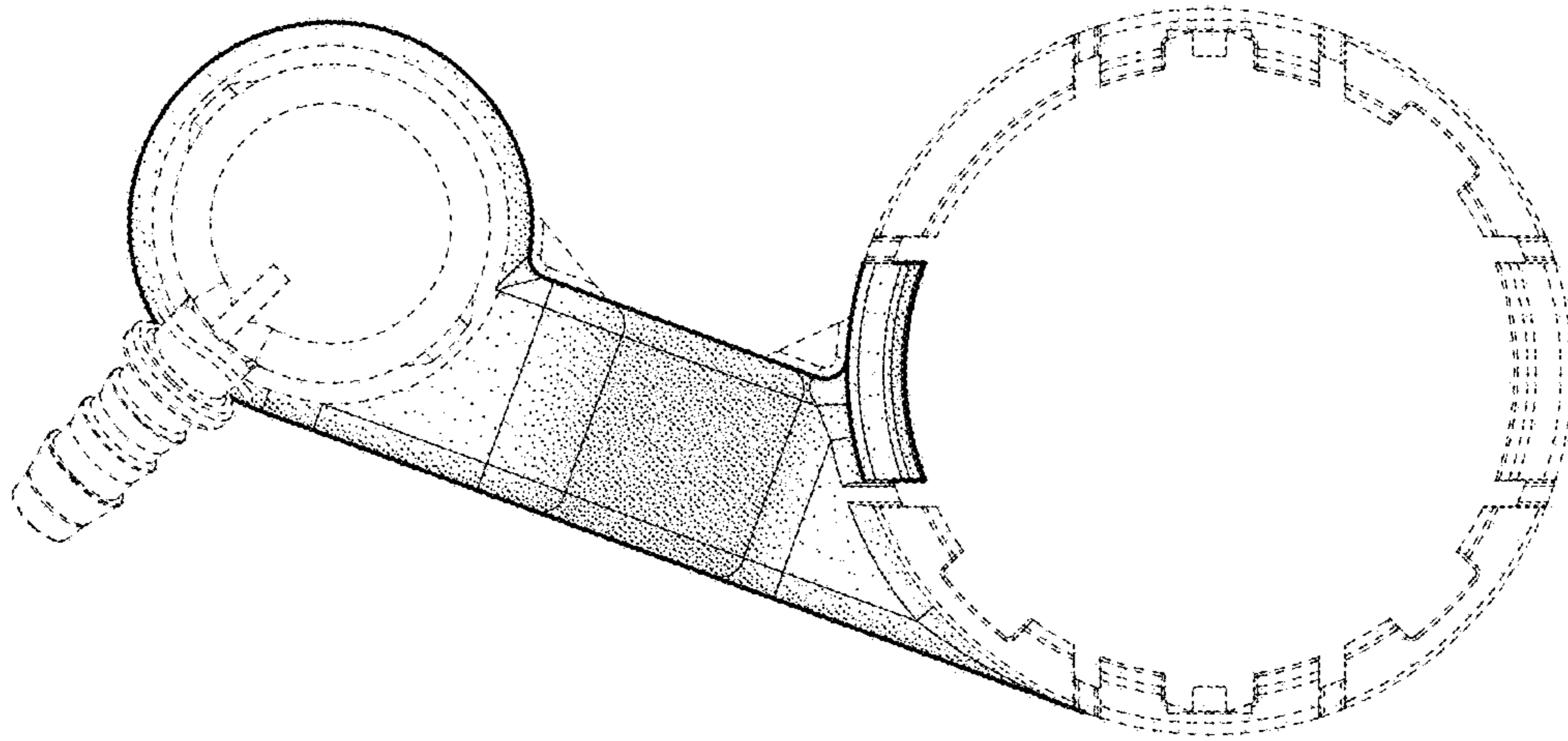


FIG. 3

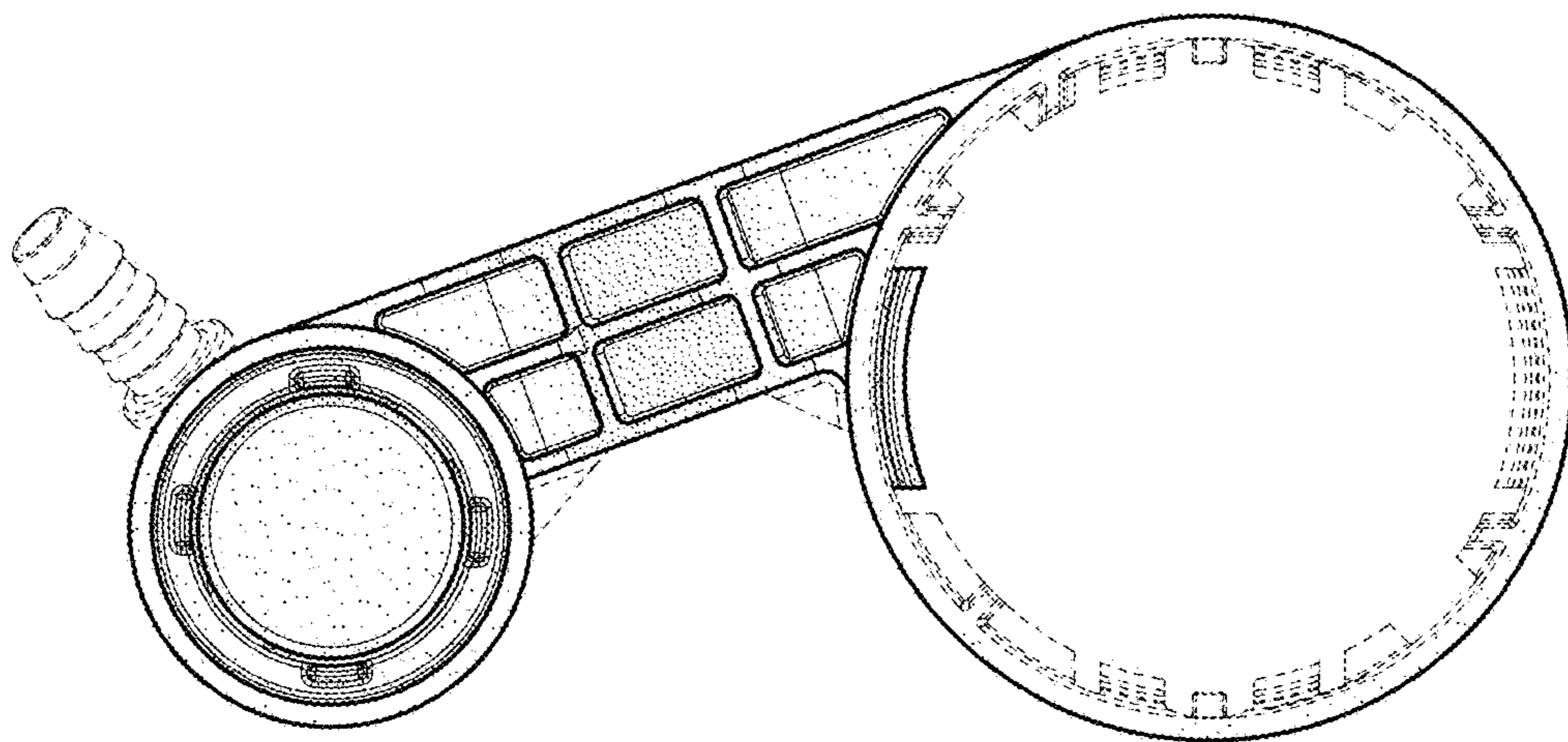


FIG. 4

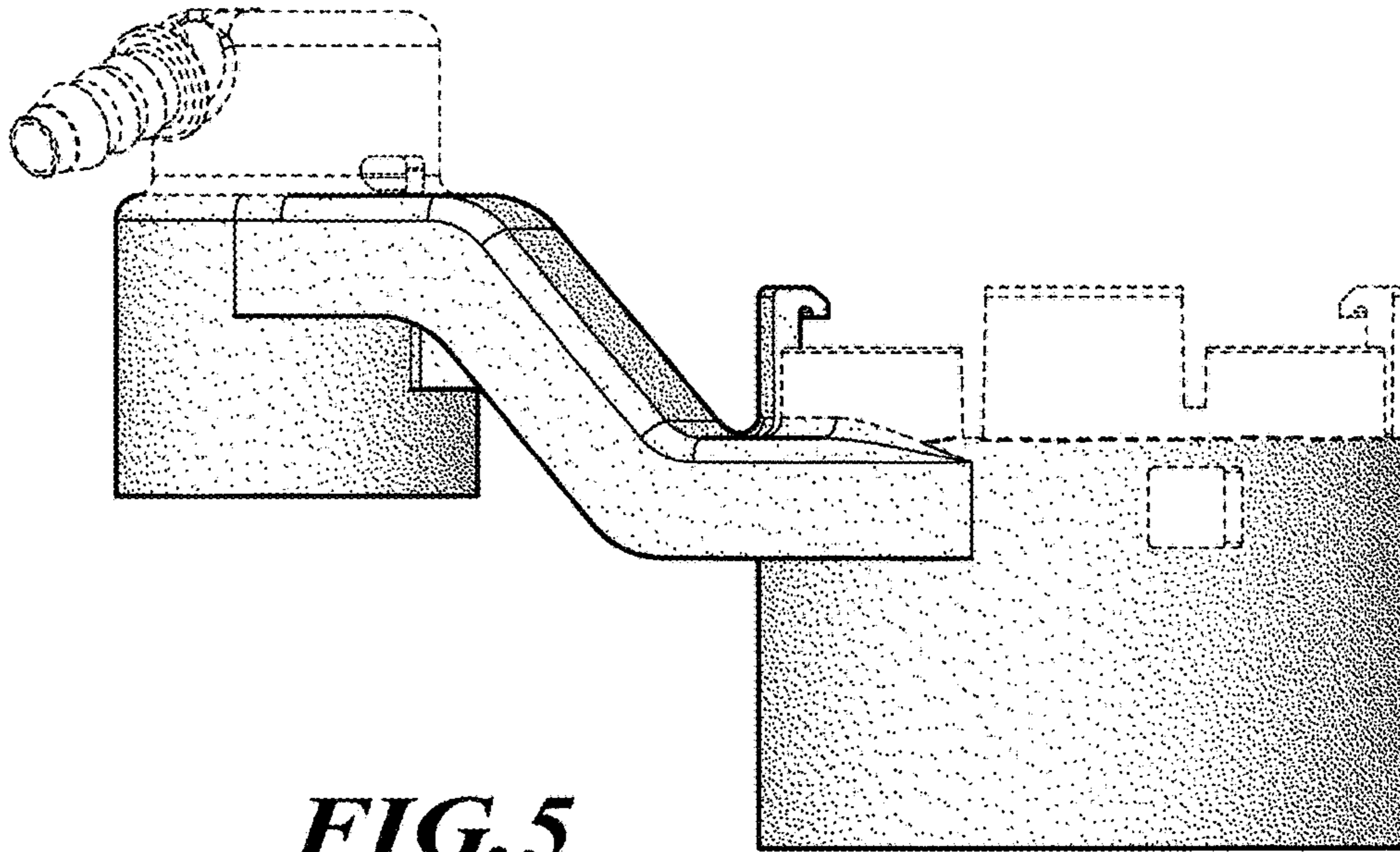


FIG. 5

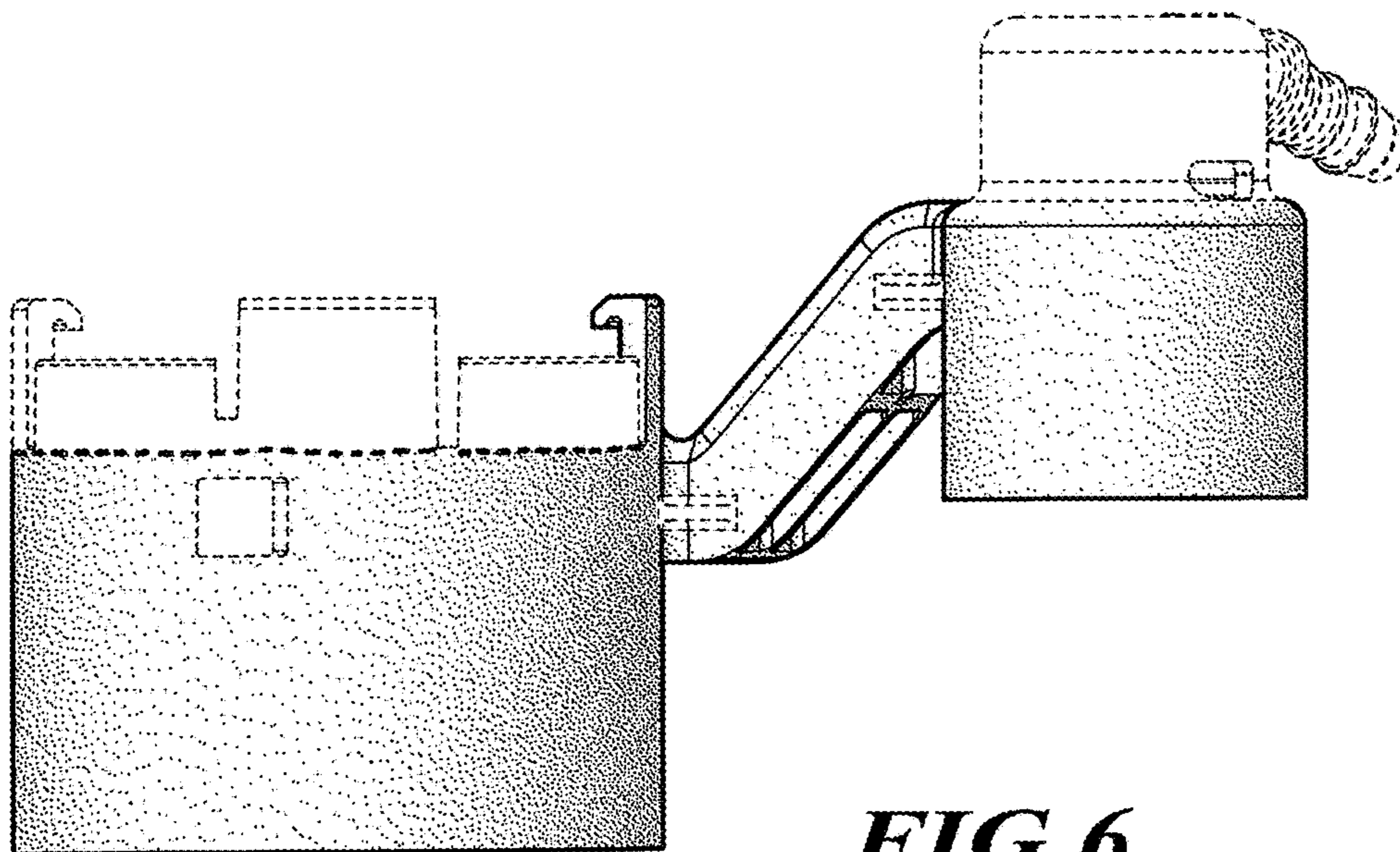


FIG. 6

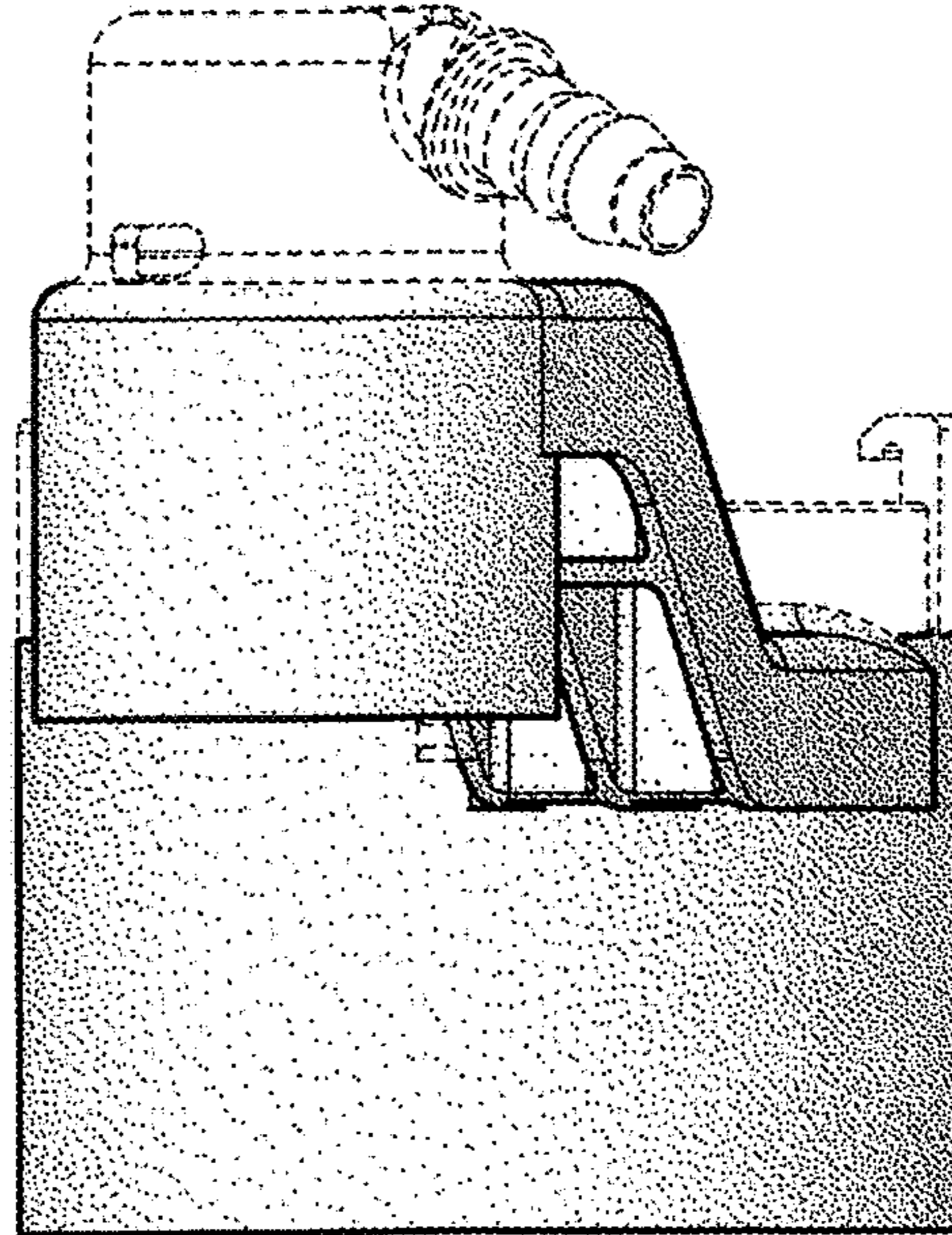


FIG. 7

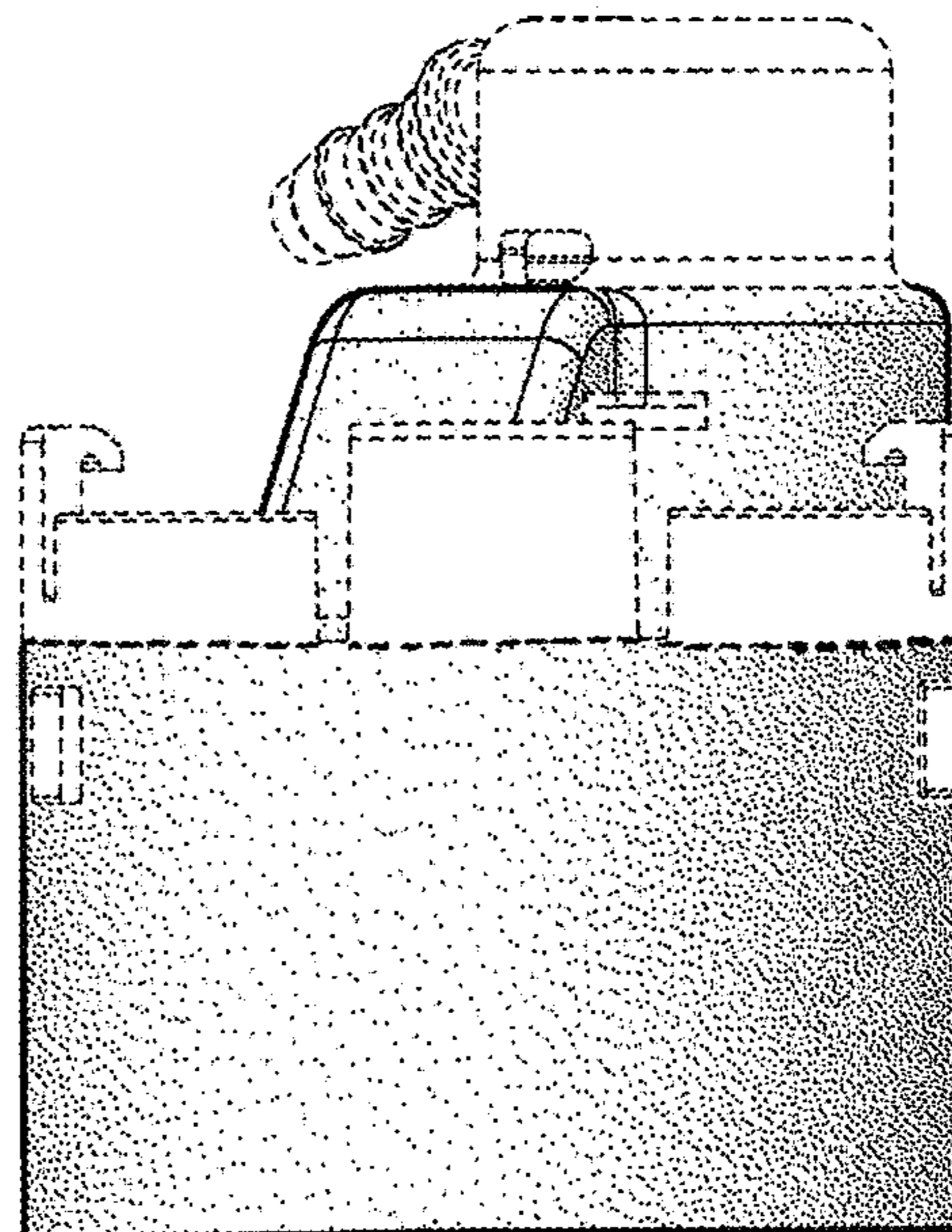


FIG. 8