



US00D808787S

(12) **United States Design Patent** (10) **Patent No.:** **US D808,787 S**
Kinskey (45) **Date of Patent:** **** Jan. 30, 2018**

(54) **CLIP**

D591,044 S * 4/2009 Lakhiani D3/249
D619,451 S * 7/2010 Carlesso D16/237
D631,737 S * 2/2011 Haas D8/395

(71) Applicant: **L.F. Centennial Ltd.**, Road Town,
Tortola (VG)

(Continued)

(72) Inventor: **Terrence P. Kinskey**, Alpharetta, GA
(US)

FOREIGN PATENT DOCUMENTS

CN 301837836 * 2/2012
KR 300774847.0000 * 12/2014

(73) Assignee: **L.F. CENTENNIAL LTD.**, Road
Town, Tortola (VG)

OTHER PUBLICATIONS

(**) Term: **15 Years**

Heavy Duty Fitted Case with Locking Swivel Clip, Black Samsung
Rugby, website 2017, http://www.mrhit.com/Heavy_Duty_Fitted_Case_Black_Samsung_Rugby_3_p/31003.htm, [site visited
Sep. 12, 2017 10:34:41 PM].*

(21) Appl. No.: **29/558,107**

(Continued)

(22) Filed: **Mar. 15, 2016**

(51) **LOC (11) Cl.** **08-08**

Primary Examiner — John Windmuller

(52) **U.S. Cl.**

Assistant Examiner — John R Yeh

USPC **D8/395**

(74) *Attorney, Agent, or Firm* — Duane Morris LLP; J.
Rodman Steele, Jr.; Gregory M. Lefkowitz

(58) **Field of Classification Search**

(57) **CLAIM**

USPC D8/394–396
CPC F25D 2400/26; H01Q 1/08; A47B 96/06;
A24F 19/0092

The ornamental design for a clip, as shown and described.

See application file for complete search history.

DESCRIPTION

(56) **References Cited**

FIG. 1 is a right perspective view in accordance with a new
clip design;

U.S. PATENT DOCUMENTS

3,956,701 A * 5/1976 James, Jr. G08B 3/1058
224/197
D265,381 S * 7/1982 Borja D18/34.9
5,188,609 A * 2/1993 Bayless A61M 25/02
604/174
5,944,696 A * 8/1999 Bayless A61M 25/02
128/DIG. 26
5,988,577 A * 11/1999 Phillips A45F 5/02
224/197
6,038,742 A * 3/2000 Patterson A45F 5/02
24/3.11
D429,068 S * 8/2000 Kleinsmith D3/247
D447,048 S * 8/2001 Beloff D8/395

FIG. 2 is a front view of the design of FIG. 1;

FIG. 3 is a back view of the design of FIG. 1;

FIG. 4 is a right side view of the design of FIG. 1;

FIG. 5 is a left side view of the design of FIG. 1;

FIG. 6 is a top view of the design of FIG. 1;

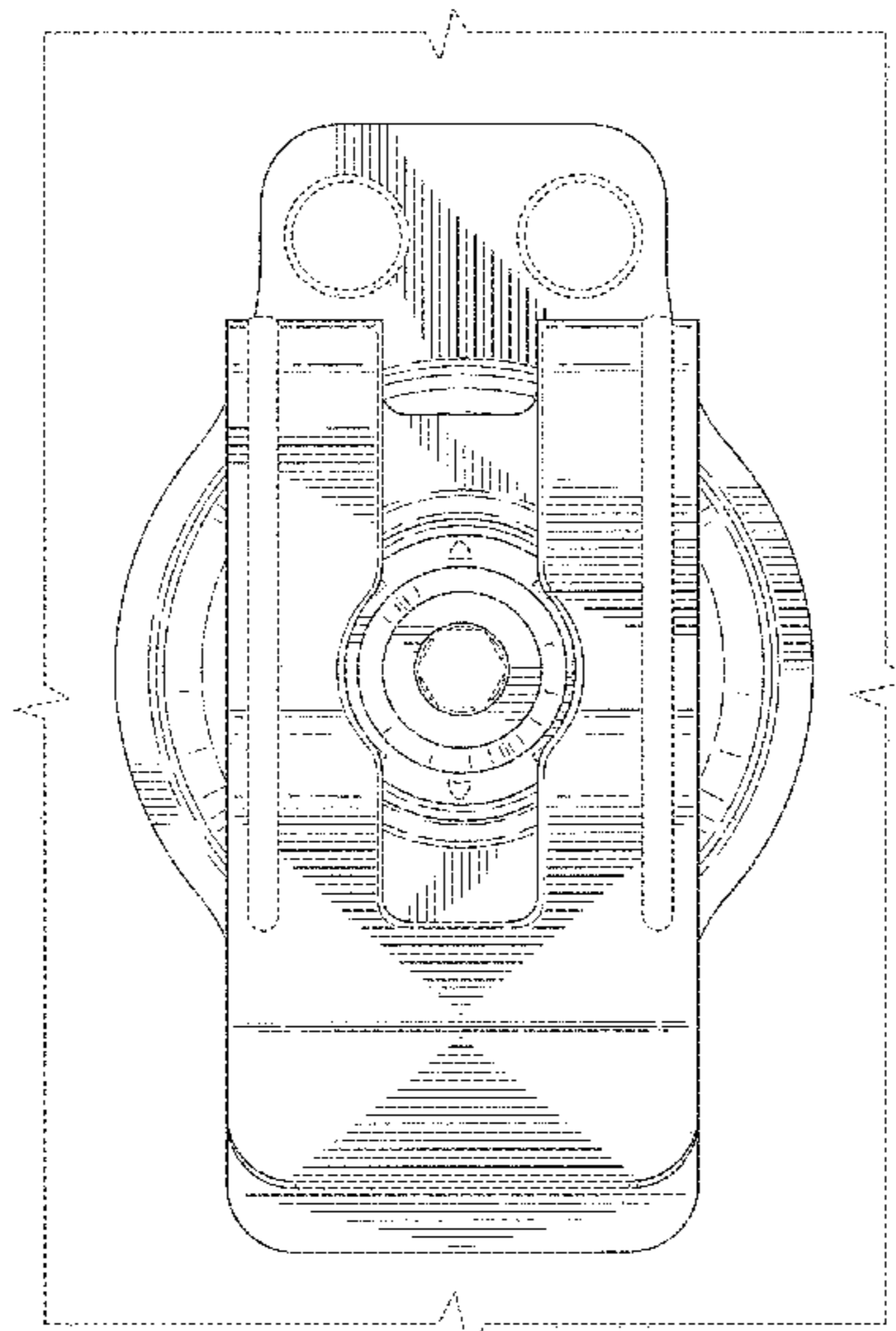
FIG. 7 is a bottom view of the design of FIG. 1;

FIG. 8 is a front view showing the clip portion rotated 90
degrees clockwise; and,

FIG. 9 is a front view showing the clip portion rotated 90
degrees counter-clockwise.

The broken lines in the figures depict environment and
portions of the clip that form no part of the claimed design.

1 Claim, 7 Drawing Sheets



(56)

References Cited

U.S. PATENT DOCUMENTS

D636,293 S * 4/2011 Dolce D11/222
7,921,527 B2 * 4/2011 Moy A47K 10/14
24/462
D672,223 S * 12/2012 Thompson D8/356
D677,193 S * 3/2013 MacDonald D11/78.1
D710,741 S * 8/2014 Hirschorn D11/78.1
D715,631 S * 10/2014 Szymanski D8/395
D715,686 S * 10/2014 Crafton D11/202
D737,169 S * 8/2015 Hirschorn D11/78.1
D740,113 S * 10/2015 Olenick D8/399
D752,340 S * 3/2016 Webb D3/208
D757,533 S * 5/2016 Ormsbee D8/395
D782,816 S * 4/2017 Boyd D3/218
2009/0229292 A1 * 9/2009 Sweeney A45F 5/02
62/259.3
2014/0374555 A1 * 12/2014 Sukman A47B 96/06
248/222.14

OTHER PUBLICATIONS

Ops-Core Goggle Swivel Clip—Leafgear, website 2017, <http://www.leafgear.com/ops-core-goggle-swivel-clip.html>, [site visited Dec. 9, 2017 10:31:20 PM].*

* cited by examiner

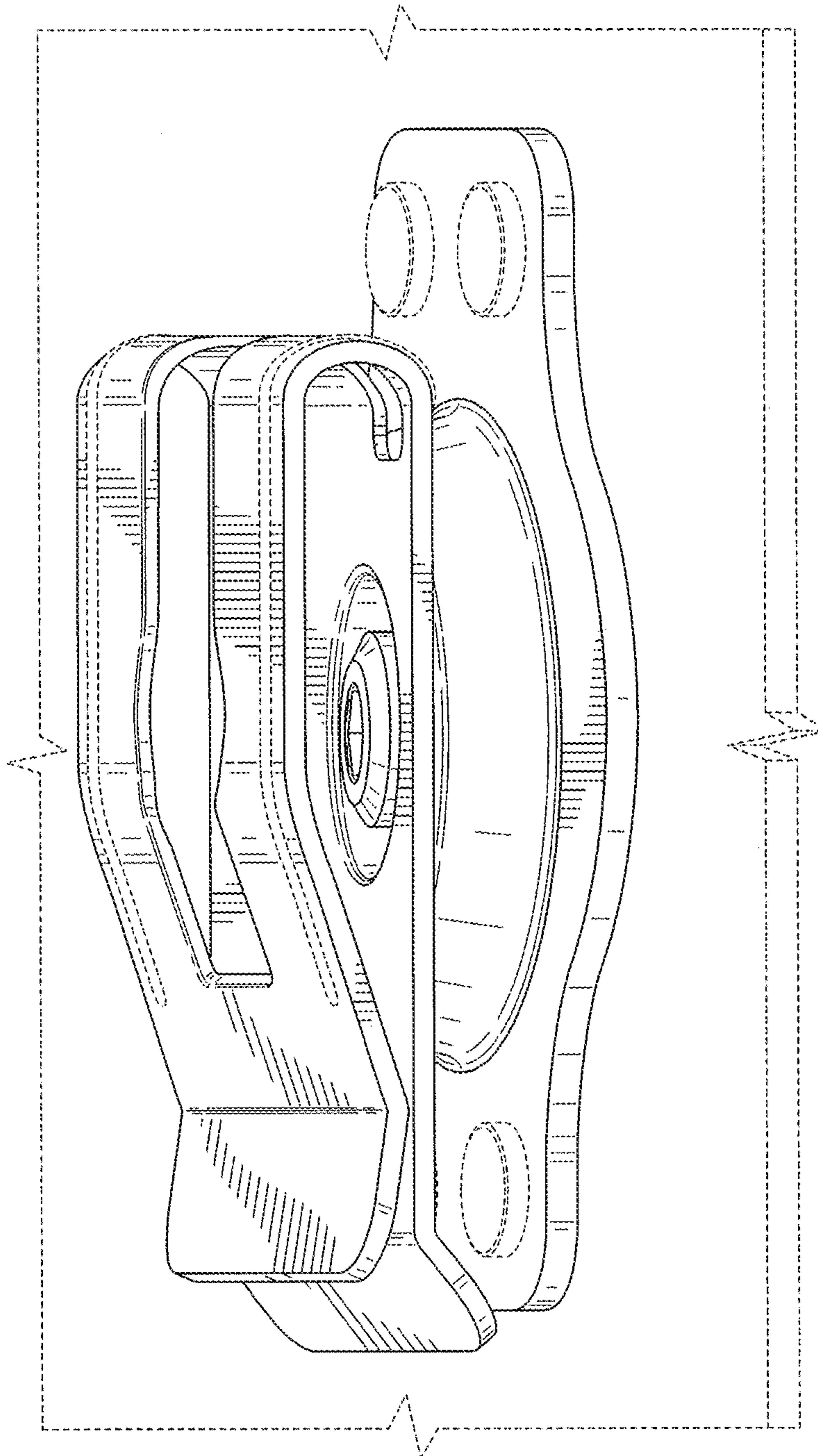


FIG. 1

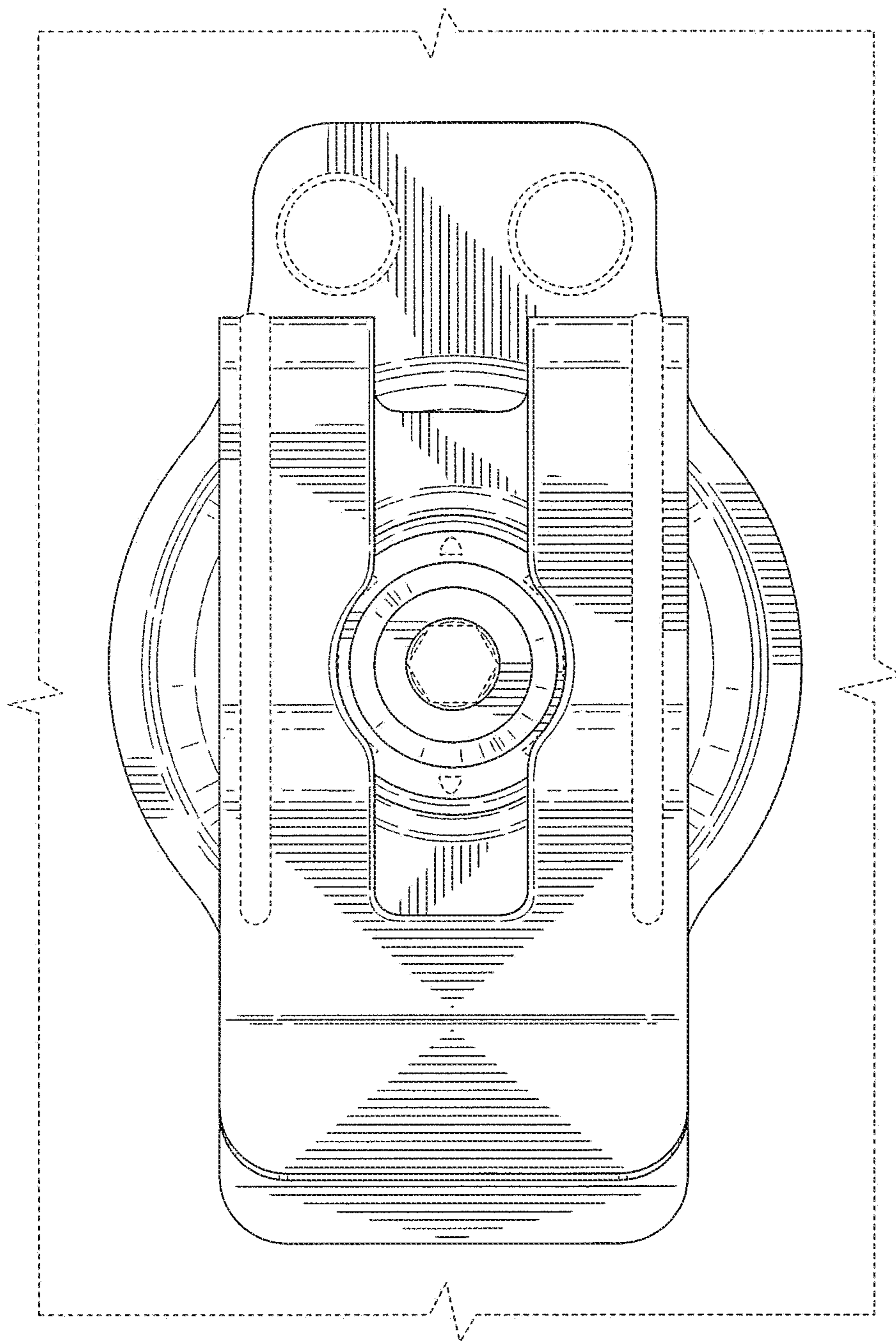


FIG. 2

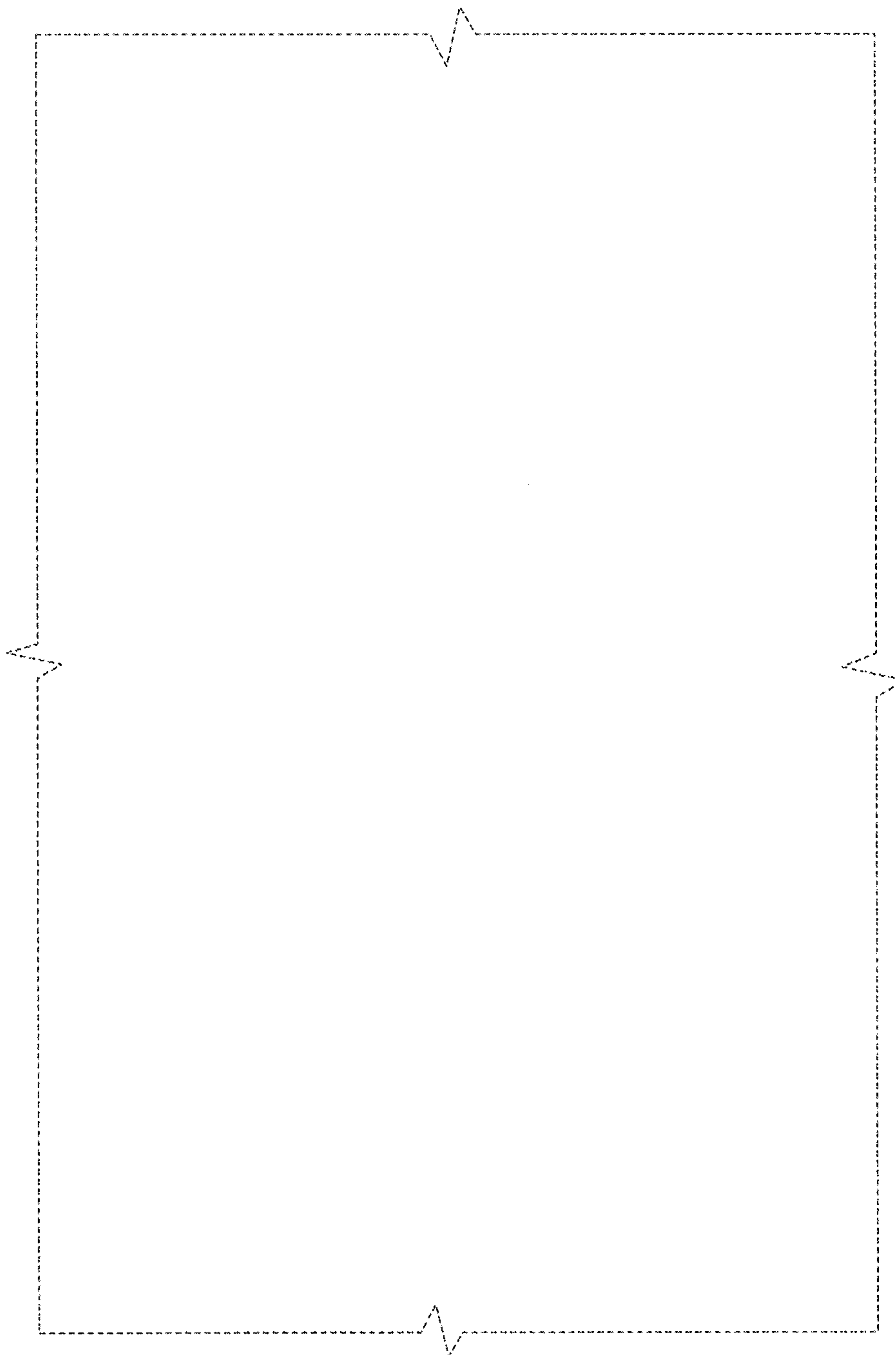


FIG. 3

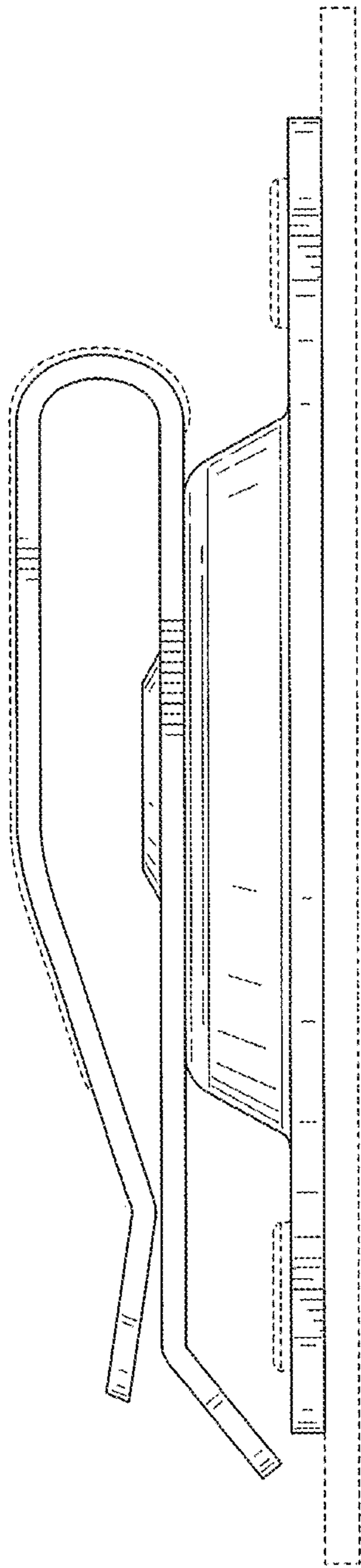


FIG. 4

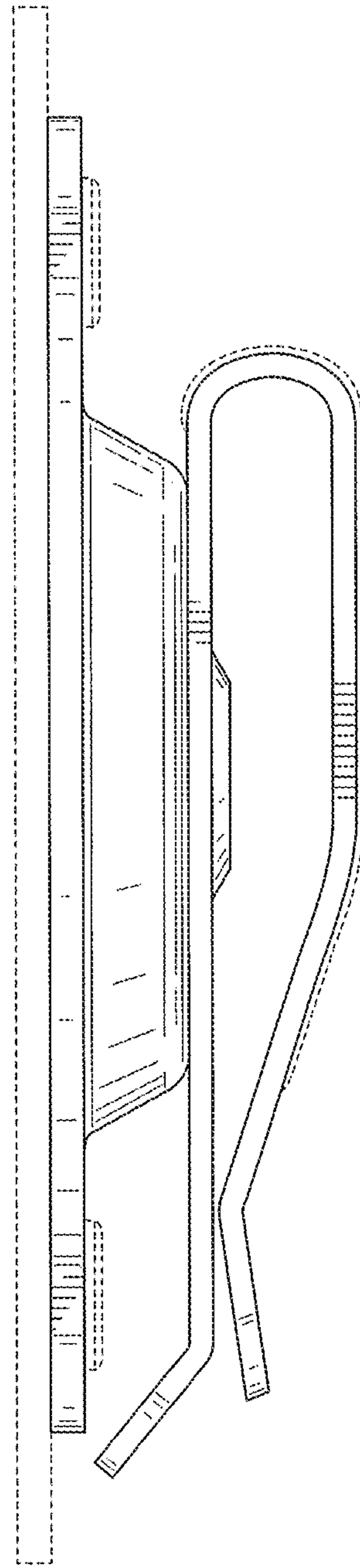


FIG. 5

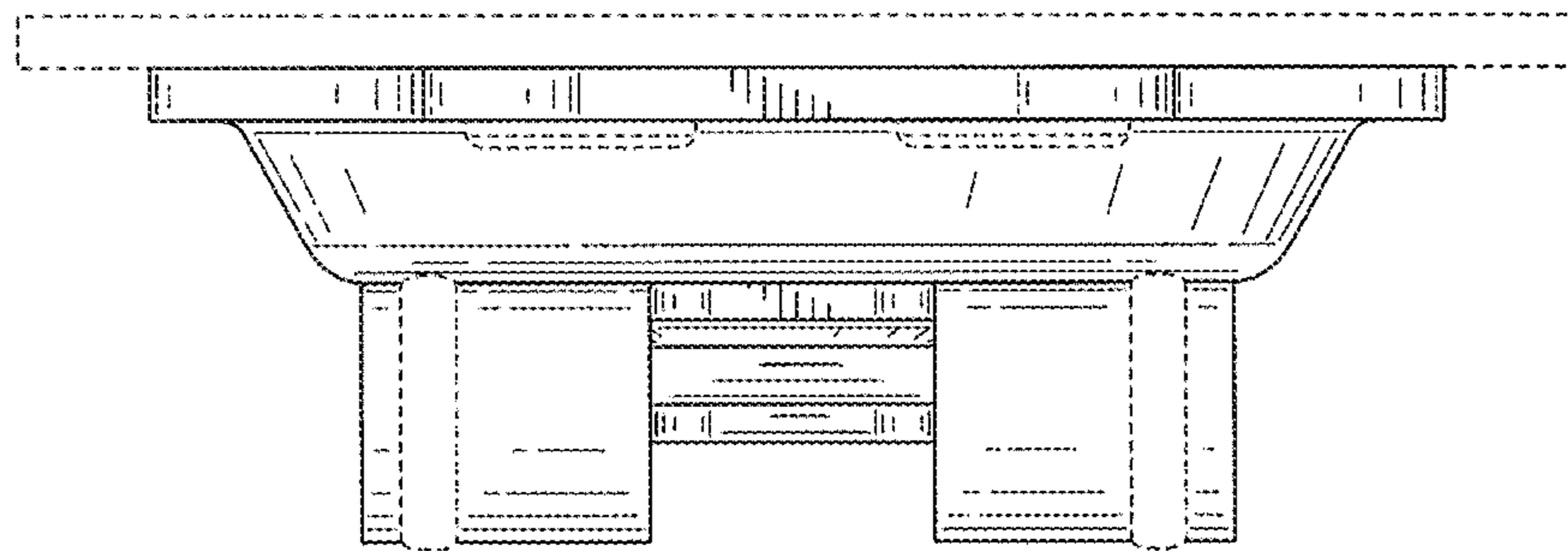


FIG. 6

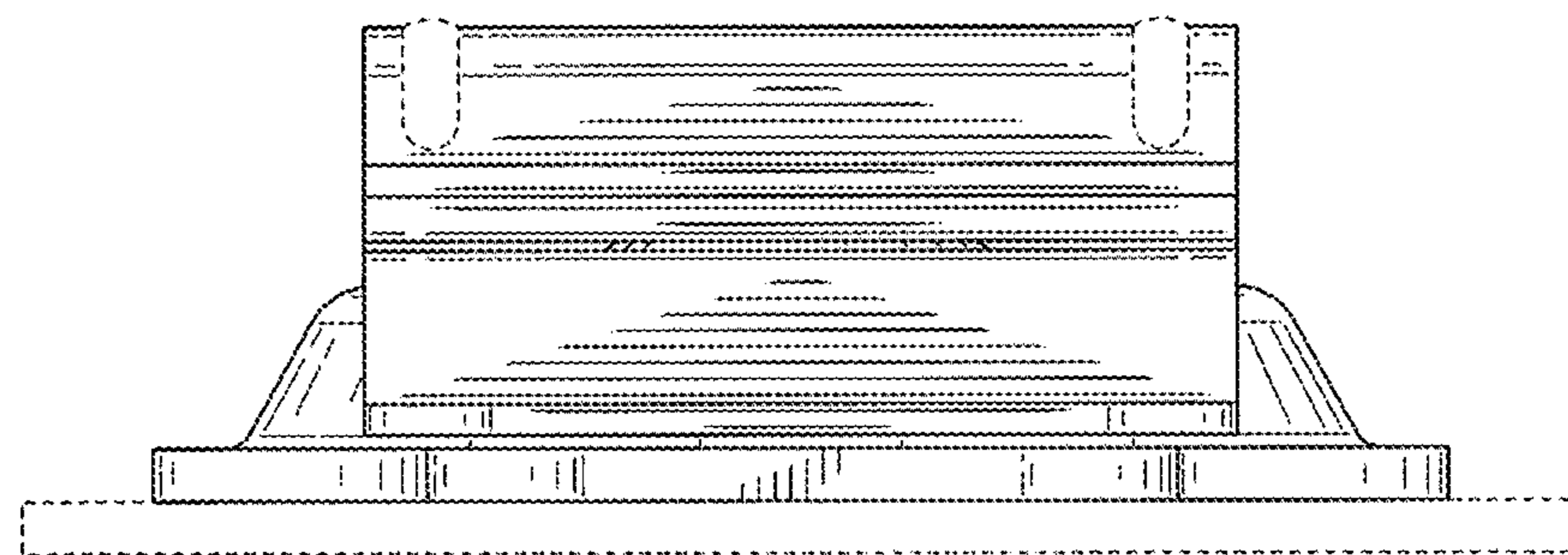


FIG. 7

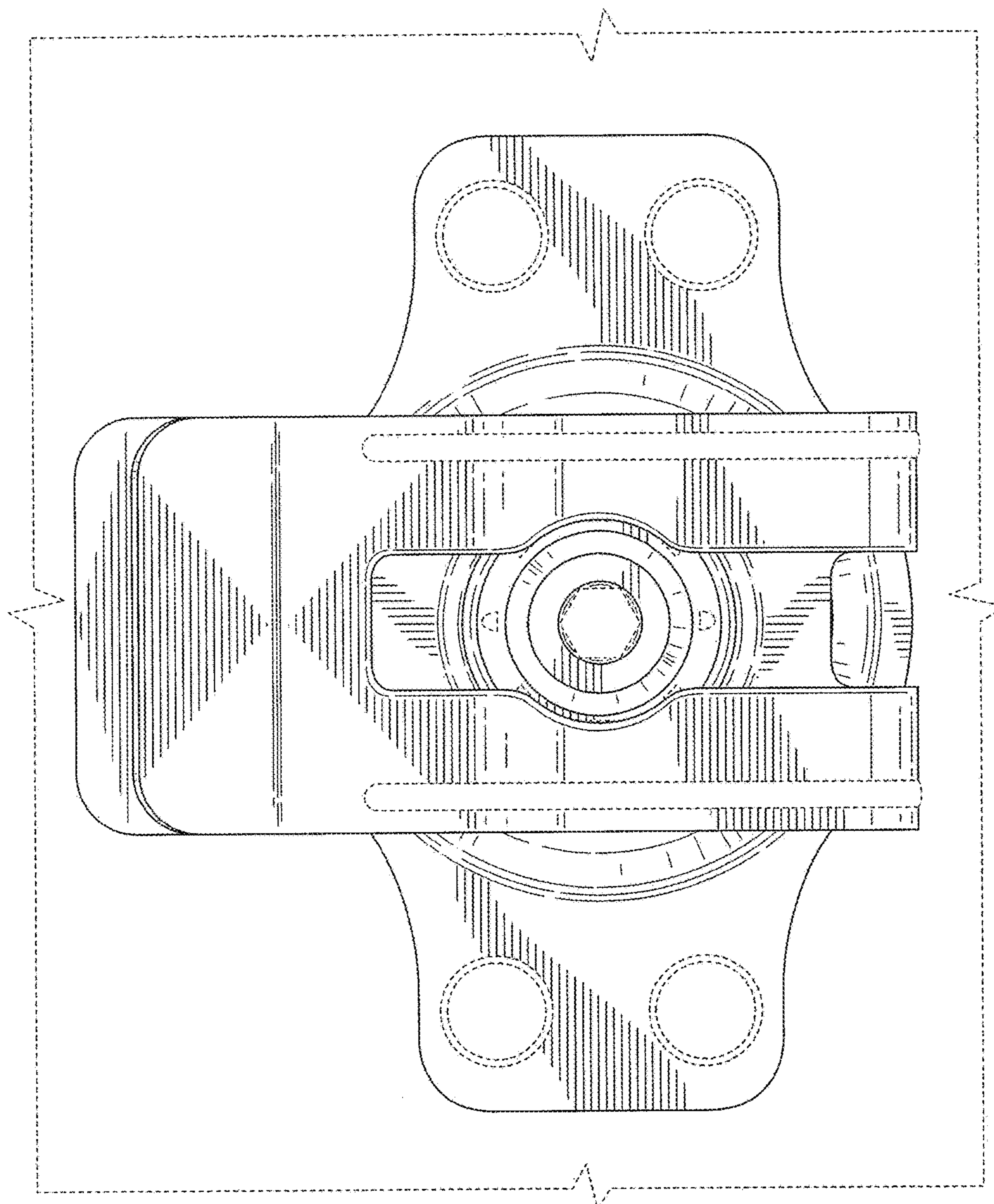


FIG. 8

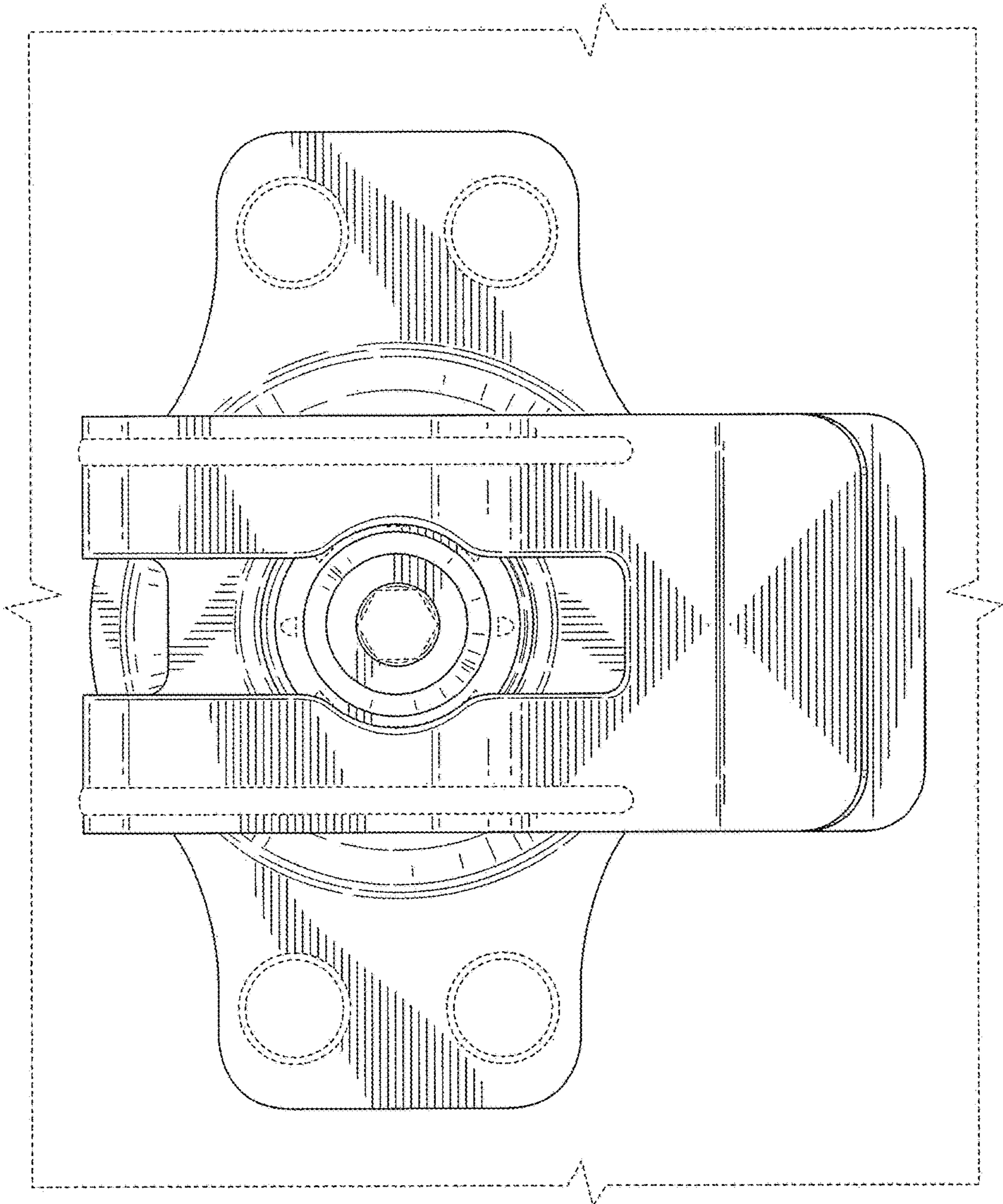


FIG. 9