



US00D808786S

(12) **United States Design Patent**  
**Nehl**

(10) **Patent No.:** **US D808,786 S**  
(45) **Date of Patent:** **\*\* Jan. 30, 2018**

(54) **ANCHOR**

FOREIGN PATENT DOCUMENTS

(71) Applicant: **fischerwerke GmbH & Co. KG**,  
Waldachtal (DE)

EM 001074355-0001 1/2009  
EM 002522052 8/2014

(Continued)

(72) Inventor: **Wolfgang Nehl**, Waldachtal (DE)

OTHER PUBLICATIONS

(73) Assignee: **Fischerwerke GmbH & Co. KG**,  
Waldachtal (DE)

“8 chevilles Universelles + vis a verrouillage de forme Red Head, 6x37mm”, <<http://www.leroymerlin.fr/v3/p/produits/8-chevilles-universelles-vis-a-verrouillage-de-forme-red-head-6-x-37mm-e1400138838>> [retrieved on Feb. 13, 2015].

(Continued)

(\*\*) Term: **15 Years**

(21) Appl. No.: **29/573,433**

(22) Filed: **Aug. 5, 2016**

*Primary Examiner* — Sandra Snapp

*Assistant Examiner* — Jeisha Price

(30) **Foreign Application Priority Data**

Feb. 8, 2016 (EM) ..... 002976654

(74) *Attorney, Agent, or Firm* — Renner, Otto, Boisselle and Sklar, LLP

(51) **LOC (11) Cl.** ..... **08-08**

(52) **U.S. Cl.**

USPC ..... **D8/385**

(58) **Field of Classification Search**

USPC ..... D8/382, 385, 387, 388, 383, 499  
CPC .... F16B 13/124; F16B 13/045; F16B 13/126;  
F16B 13/00; F16B 13/06; F16B 13/12;  
F16B 13/001; F16B 13/08; F16B 13/128;  
F16B 13/005; Y10S 411/908

See application file for complete search history.

(57) **CLAIM**

The ornamental design for an anchor, as shown and described.

**DESCRIPTION**

(56) **References Cited**

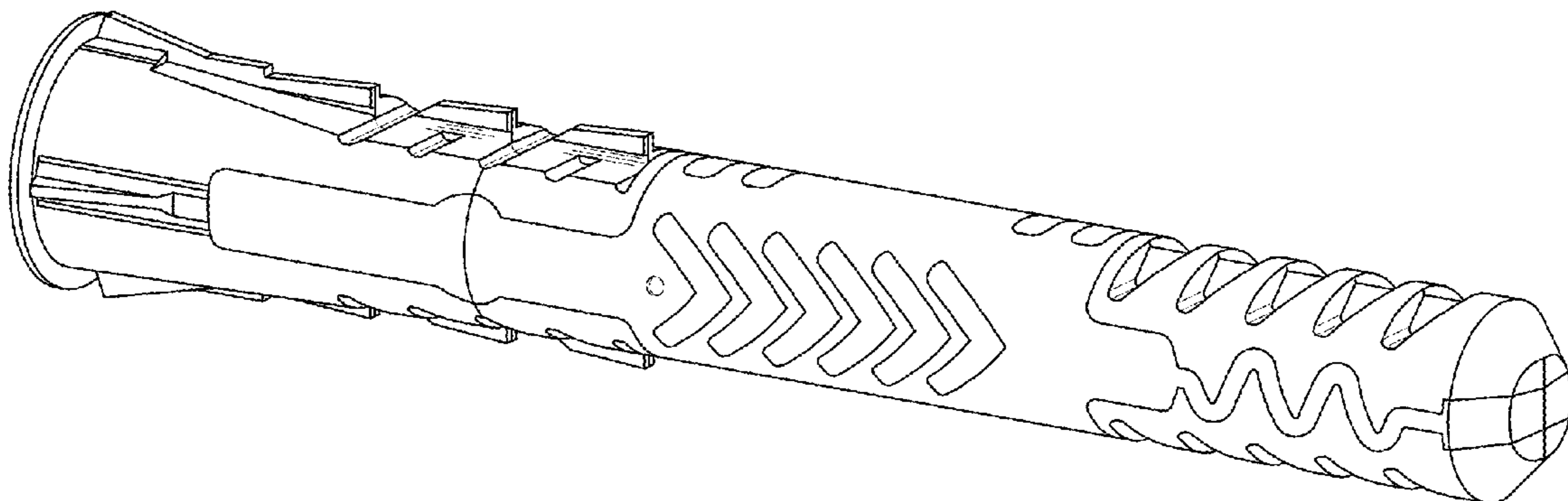
U.S. PATENT DOCUMENTS

4,142,440 A \* 3/1979 Schefer ..... F16B 13/124  
411/42  
4,642,009 A 2/1987 Fischer  
D371,294 S \* 7/1996 Anquetin ..... D8/382  
D759,472 S \* 6/2016 Nehl ..... D8/385  
D769,703 S \* 10/2016 Kempf ..... D8/385  
D771,482 S \* 11/2016 Nehl ..... D8/385  
2002/0122710 A1 \* 9/2002 Nehl ..... F16B 13/061  
411/36  
2002/0176761 A1 \* 11/2002 Nehl ..... F16B 13/124  
411/36

FIG. 1 is a top, left, front perspective view of an anchor showing my new design;  
FIG. 2 is a top plan view thereof;  
FIG. 3 is a left side elevation view thereof;  
FIG. 4 is a bottom plan view thereof;  
FIG. 5 is a right side elevation view thereof;  
FIG. 6 is a front elevation view thereof;  
FIG. 7 is a rear elevation view thereof; and,  
FIG. 8 is a bottom, left, front perspective view thereof.  
The broken line showing is for the purpose of illustrating portions of the article that form no part of the claimed design.

(Continued)

**1 Claim, 8 Drawing Sheets**



(56)

**References Cited**

U.S. PATENT DOCUMENTS

2005/0158139 A1\* 7/2005 Hepworth ..... F16B 13/124  
411/55  
2009/0092459 A1\* 4/2009 Daly ..... F16B 13/124  
411/80.1  
2015/0211563 A1\* 7/2015 Daly ..... F16B 13/124  
411/80.1  
2017/0204891 A1\* 7/2017 Nehl ..... F16B 13/061  
2017/0211605 A1\* 7/2017 Nehl ..... F16B 13/124

FOREIGN PATENT DOCUMENTS

EM 002631531 2/2015  
EP 0 169 335 B1 3/1988  
EP 1 275 860 A1 1/2003  
EP 1 183 475 B1 12/2004  
EP 2 119 920 A2 11/2009  
WO WO 2011/098241 A1 8/2011

OTHER PUBLICATIONS

“Fischer Universaldubel UX”, fischer Befestigungssysteme,  
Hauptkatalog 2002, [http://www.fischer.de/Home/Produkte/  
Produktkategorie.aspx/cpage-details/pcategory-1000998530/  
usetemplate-productdetails/](http://www.fischer.de/Home/Produkte/Produktkategorie.aspx/cpage-details/pcategory-1000998530/usetemplate-productdetails/).

“Fischer-Universaldubel FU”, fischerdubel, Neuheiten 1985.

“Fischer XS—eine Klasse für sich” and “fischer FH—packt doppelt  
zu”, Befestigungstechnik von ihrer, innovativsten Seite, 1999.

\* cited by examiner

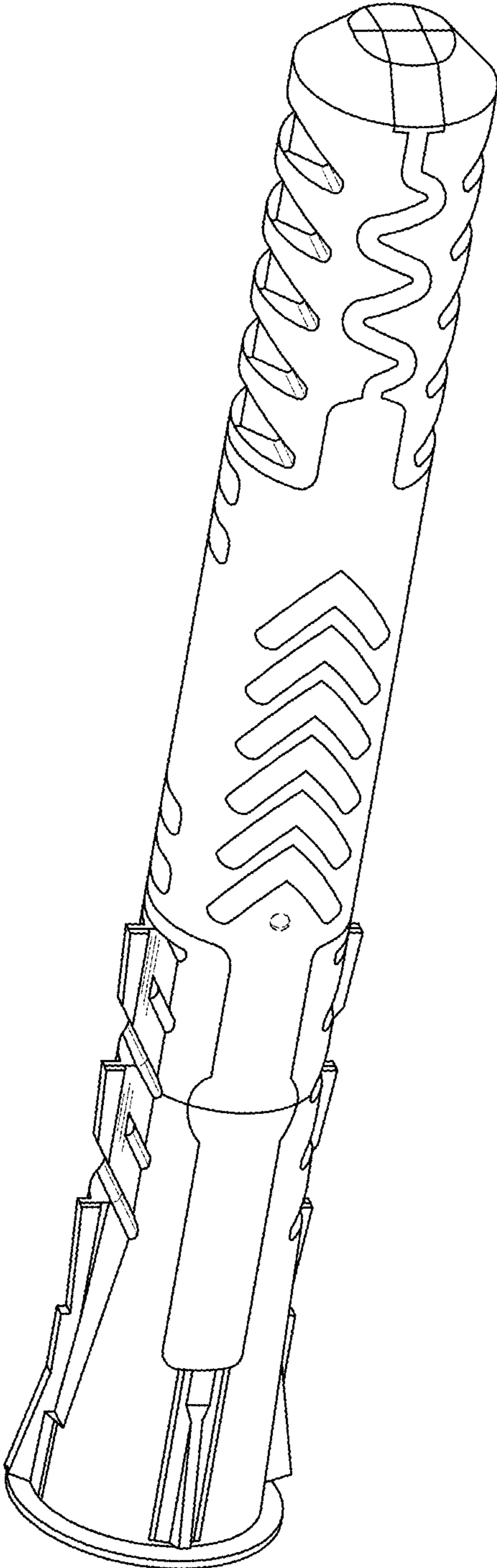


FIG. 1

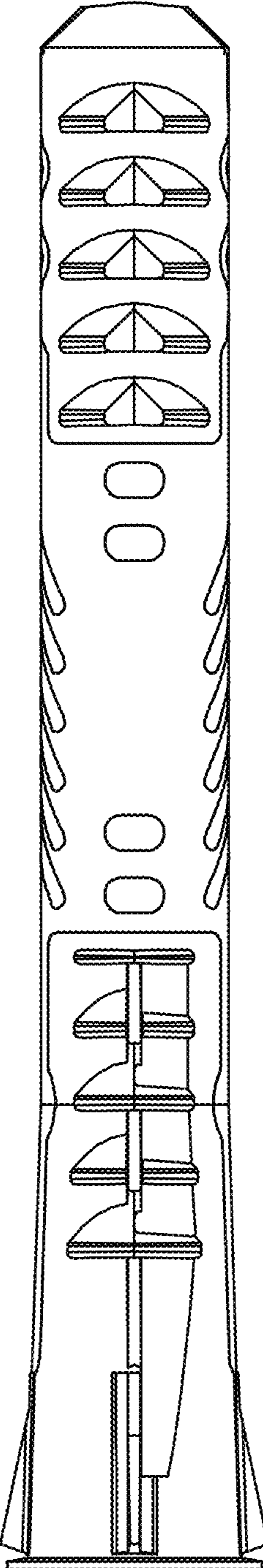


FIG. 2

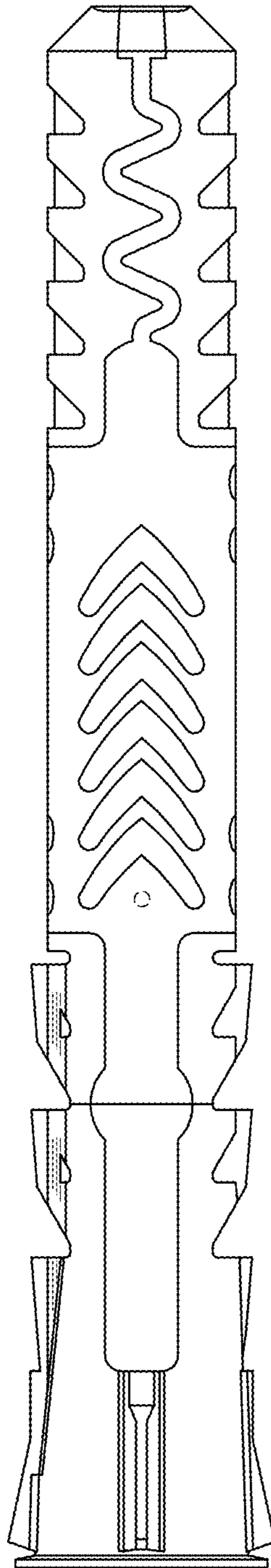


FIG. 3

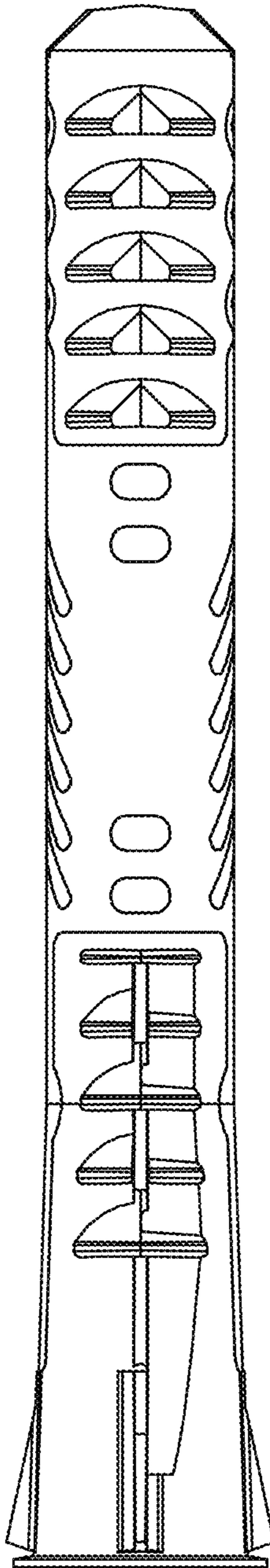


FIG. 4

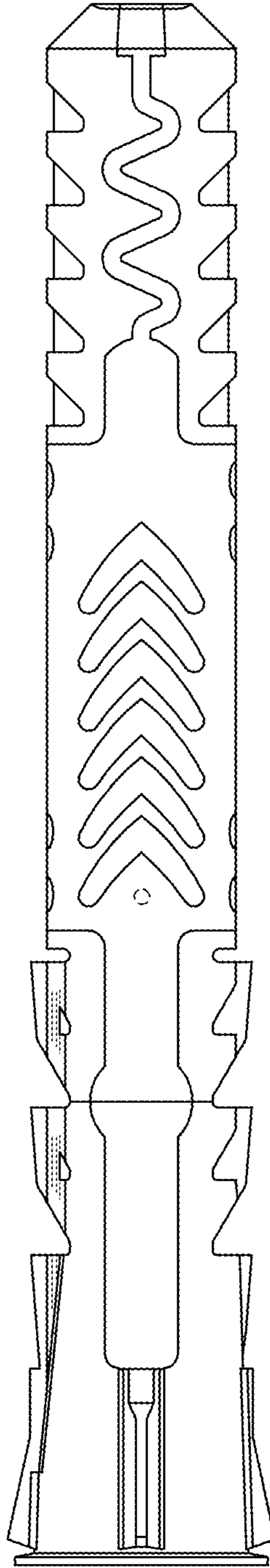


FIG. 5

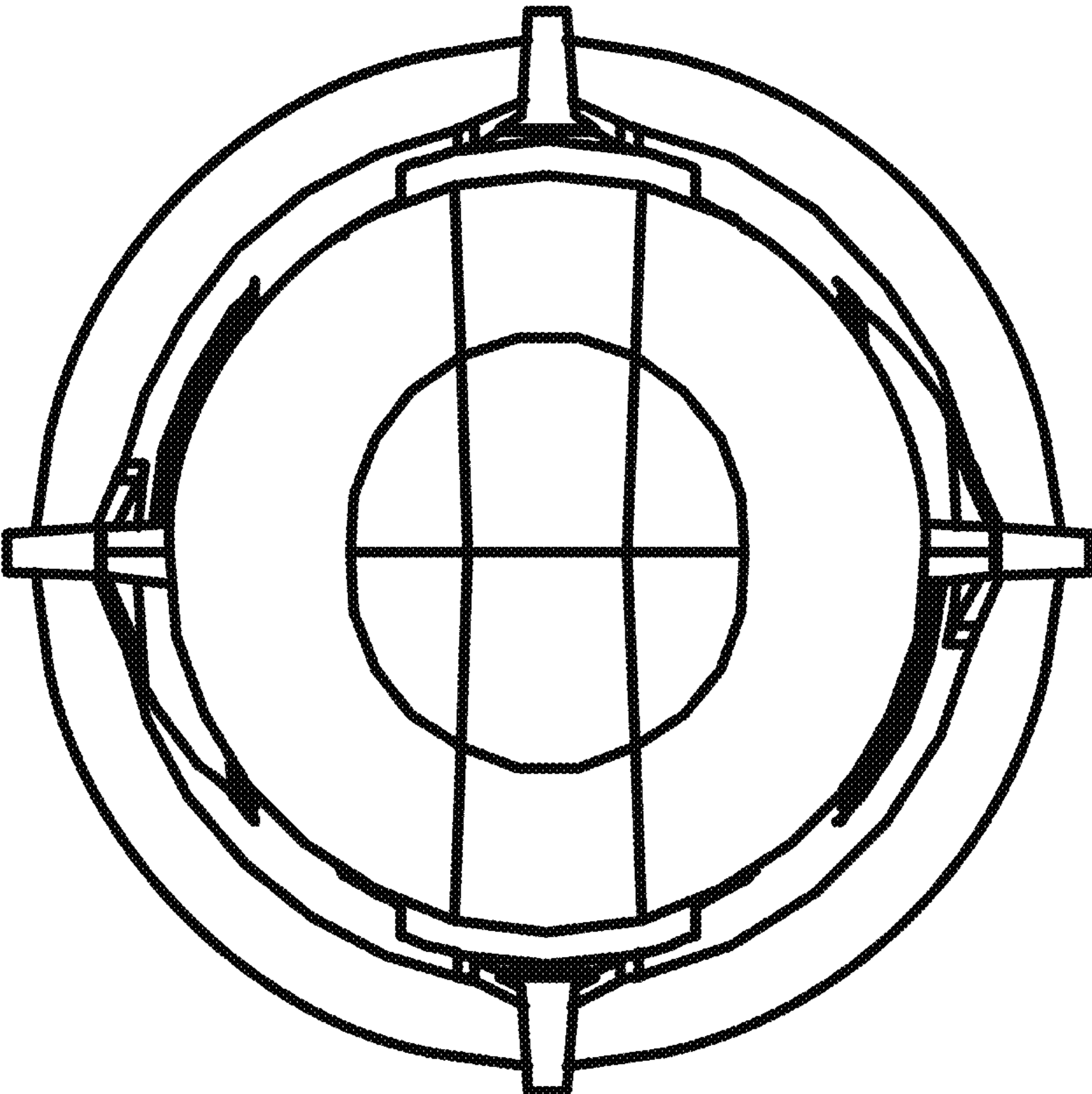


FIG. 6



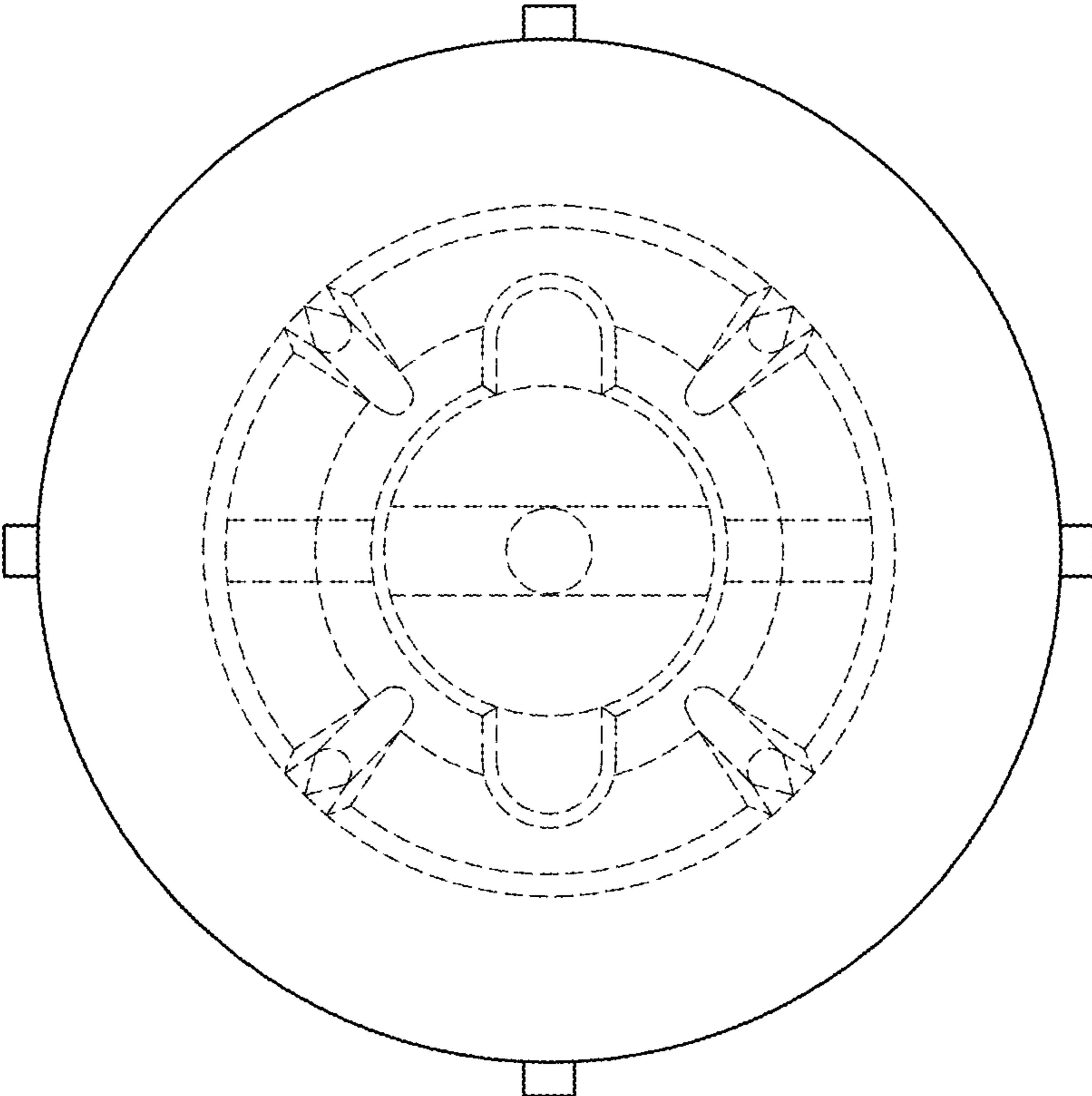


FIG. 7

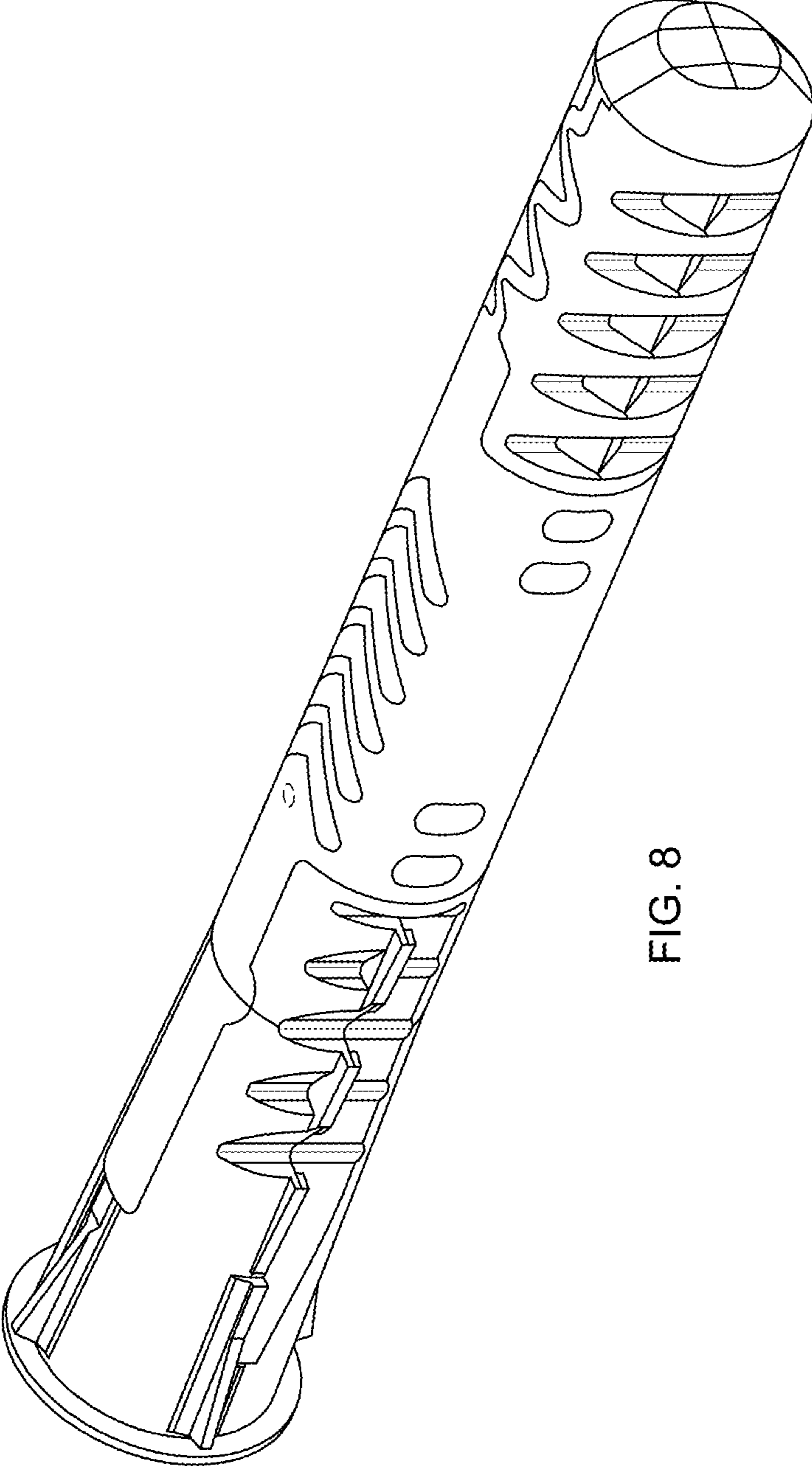


FIG. 8