



US00D808785S

(12) **United States Design Patent**
Locatell

(10) **Patent No.:** **US D808,785 S**

(45) **Date of Patent:** **** Jan. 30, 2018**

- (54) **REMOVABLE FORM TIE**
- (71) Applicant: **Frank Locatell**, Arcadia, CA (US)
- (72) Inventor: **Frank Locatell**, Arcadia, CA (US)
- (**) Term: **15 Years**
- (21) Appl. No.: **29/611,676**
- (22) Filed: **Jul. 24, 2017**

D621,691	S *	8/2010	Tezak	D8/349
D667,288	S *	9/2012	Preda	D8/354
8,763,982	B1	7/2014	Murrell		
9,091,056	B2 *	7/2015	Stauffer	E04B 1/40
D740,589	S *	10/2015	Ng	D6/580
D746,125	S *	12/2015	Miller	D8/356
D789,563	S *	6/2017	Lopez	D25/199
2004/0107658	A1 *	6/2004	White	E04B 1/762
					52/309.11
2007/0199274	A1 *	8/2007	Rice	E04B 2/7457
					52/712

Related U.S. Application Data

- (62) Division of application No. 29/596,599, filed on Mar. 9, 2017, now Pat. No. Des. 798,137.
- (51) **LOC (11) Cl.** **08-08**
- (52) **U.S. Cl.**
USPC **D8/384**
- (58) **Field of Classification Search**
USPC D8/16, 19, 71, 349, 354, 382, 384, 385,
D8/499, 364, 366, 381, 373, 380;
D25/68, 133, 199
CPC . E04G 17/14; E04G 17/0752; E04G 17/0751;
E04G 2017/0627; E04G 17/06; E04B
2/8652; E04B 2002/8688
See application file for complete search history.

OTHER PUBLICATIONS

Concrete Tie, Product Manual dated 1998, Introduction to Chapter 2 (65 total pages).

* cited by examiner

Primary Examiner — Sandra S Snapp

Assistant Examiner — Ieisha N Price

(74) *Attorney, Agent, or Firm* — Todd R. Miller

(57) **CLAIM**

The ornamental design for a removable form tie, as shown and described.

DESCRIPTION

FIG. 1 is a perspective view embodying the inventive design;

FIG. 2 is a front view thereof;

FIG. 3 is a right view thereof;

FIG. 4 is a rear view thereof;

FIG. 5 is a left view thereof;

FIG. 6 is a top view thereof;

FIG. 7 is a bottom view thereof; and,

FIG. 8 is a perspective view thereof showing the inventive design in use.

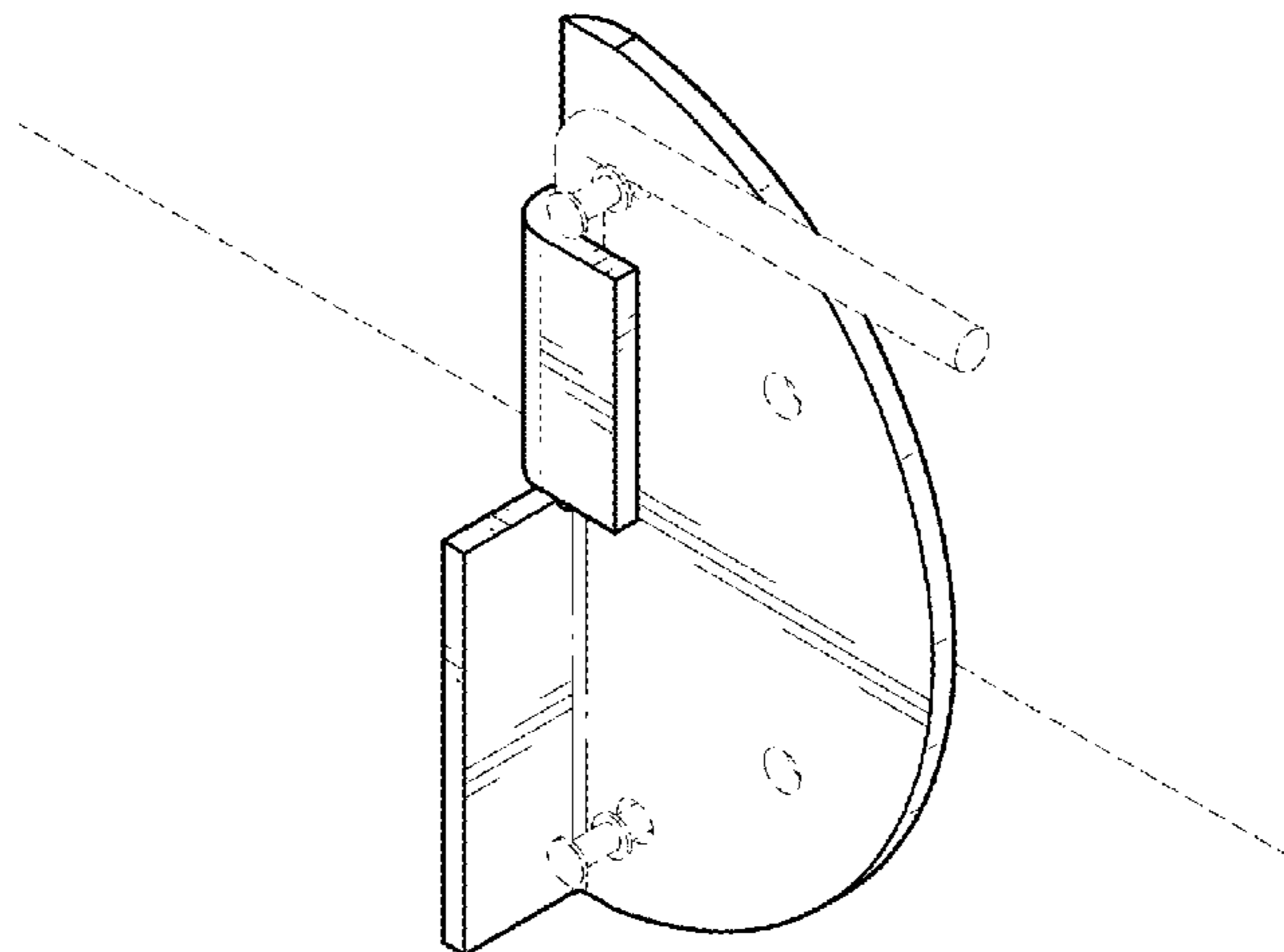
The broken lines in the figures are shown for illustrative purposes only and form no part of the claimed design.

1 Claim, 3 Drawing Sheets

(56) **References Cited**

U.S. PATENT DOCUMENTS

4,706,429	A	11/1987	Young		
4,726,560	A	2/1988	Dotson		
4,936,540	A	6/1990	Boeshart		
D357,405	S *	4/1995	Philippi	D6/567
D357,855	S	5/1995	Keith		
D373,902	S *	9/1996	Wang	D3/318
D378,049	S	2/1997	Boeshart		
D387,970	S *	12/1997	Enslin	D8/349
D536,952	S *	2/2007	Vejmarker	D8/354
D547,164	S *	7/2007	Xayoiphonh	D8/363
7,429,023	B2 *	9/2008	Morrow	E04B 1/003
					248/200
D611,327	S *	3/2010	Chawgo	H01R 4/36
					D8/356



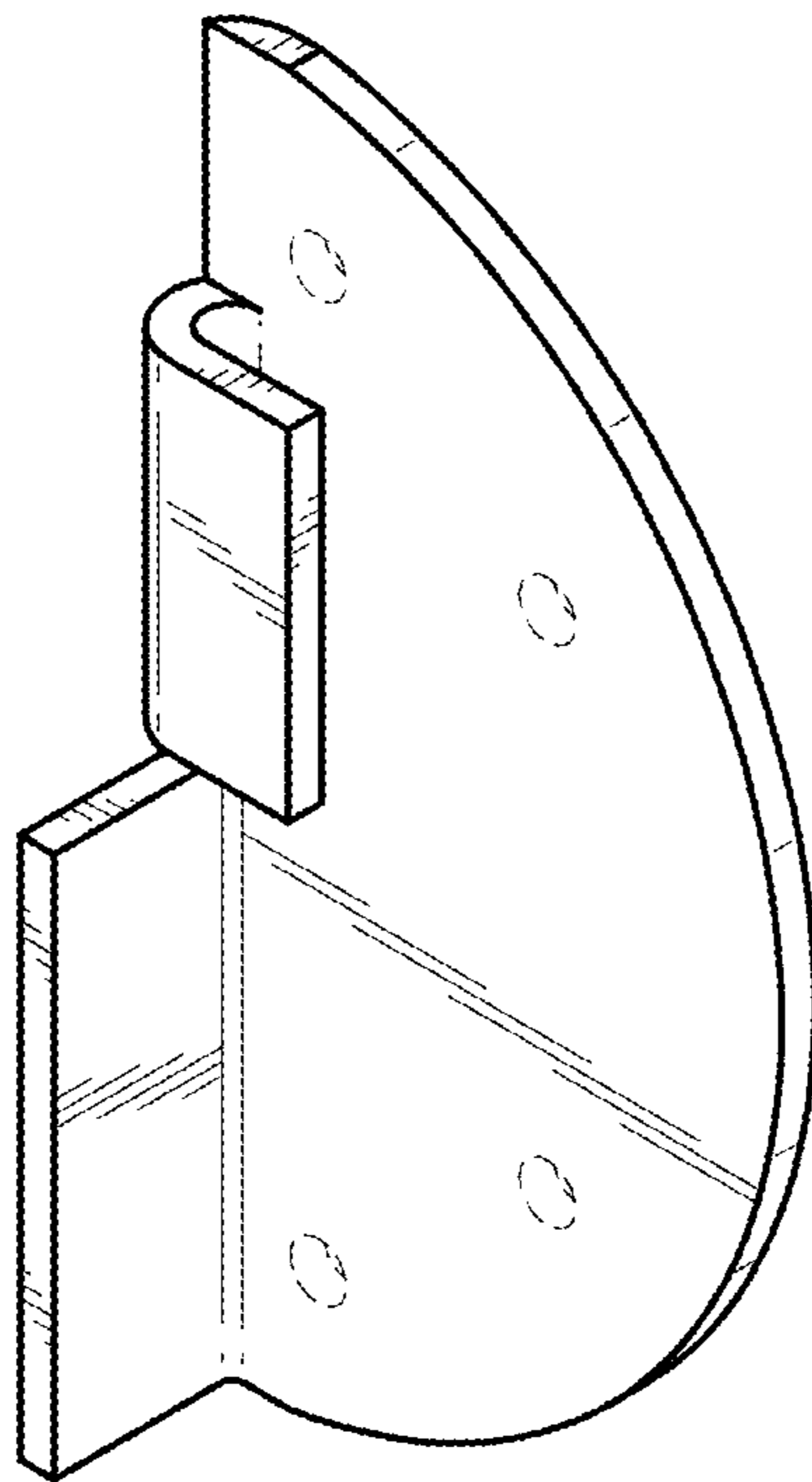


FIG. 1

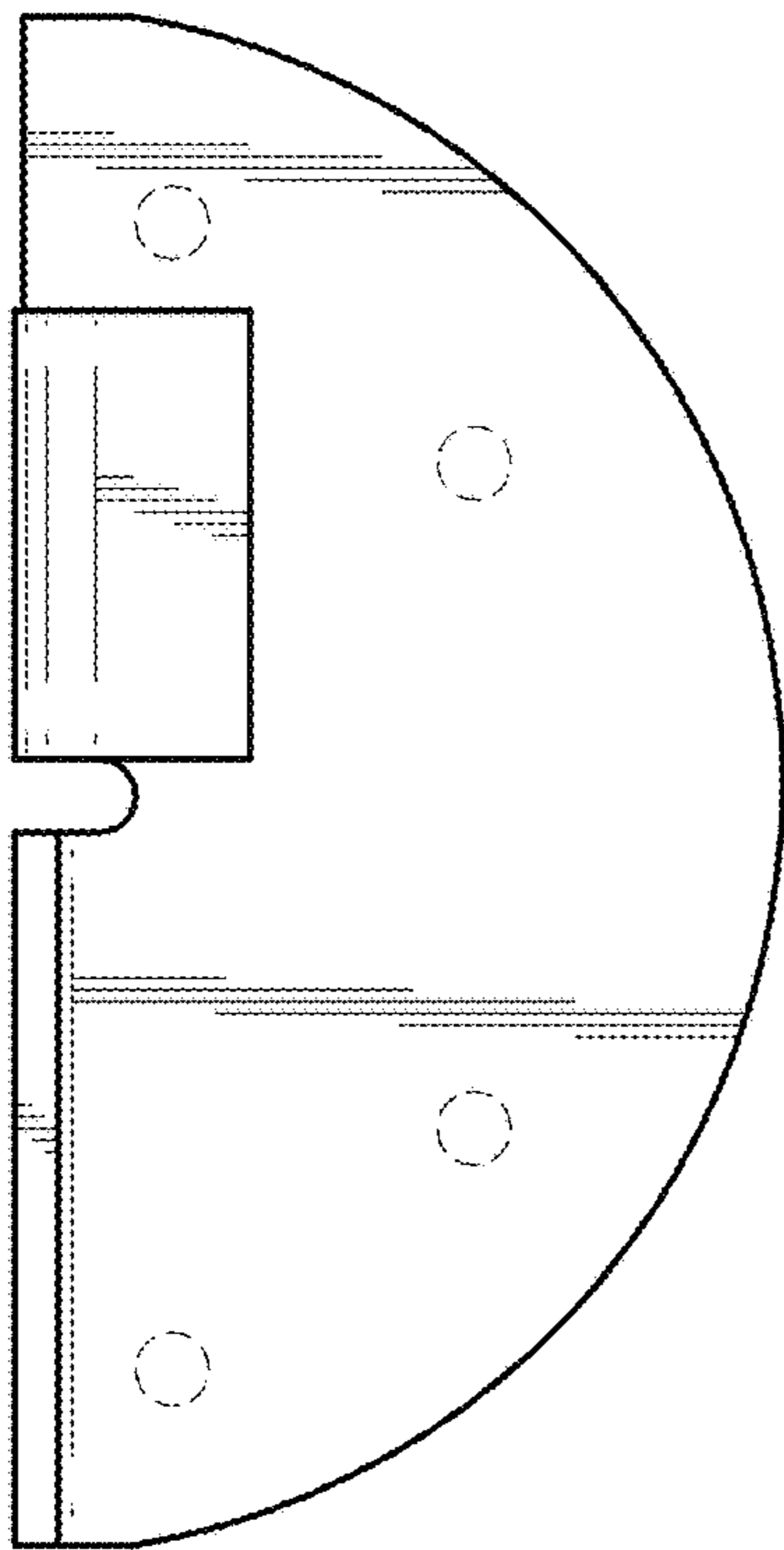


FIG. 2

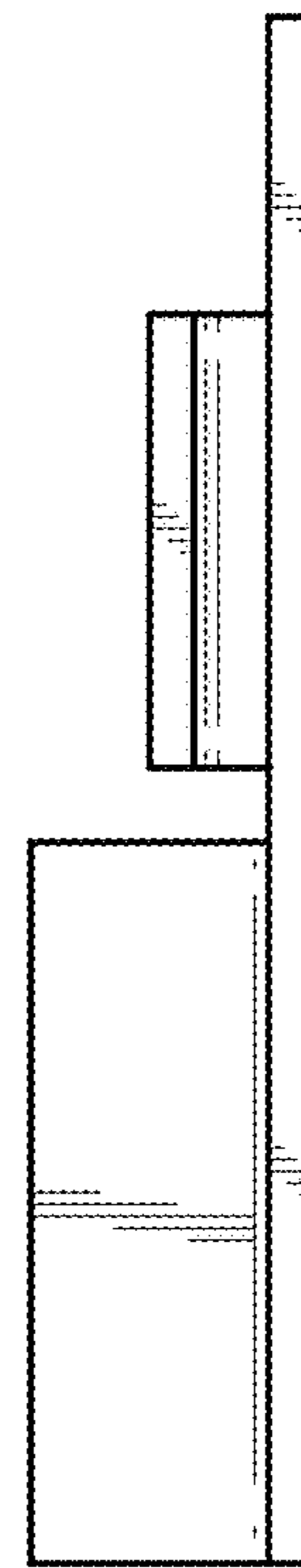


FIG. 3

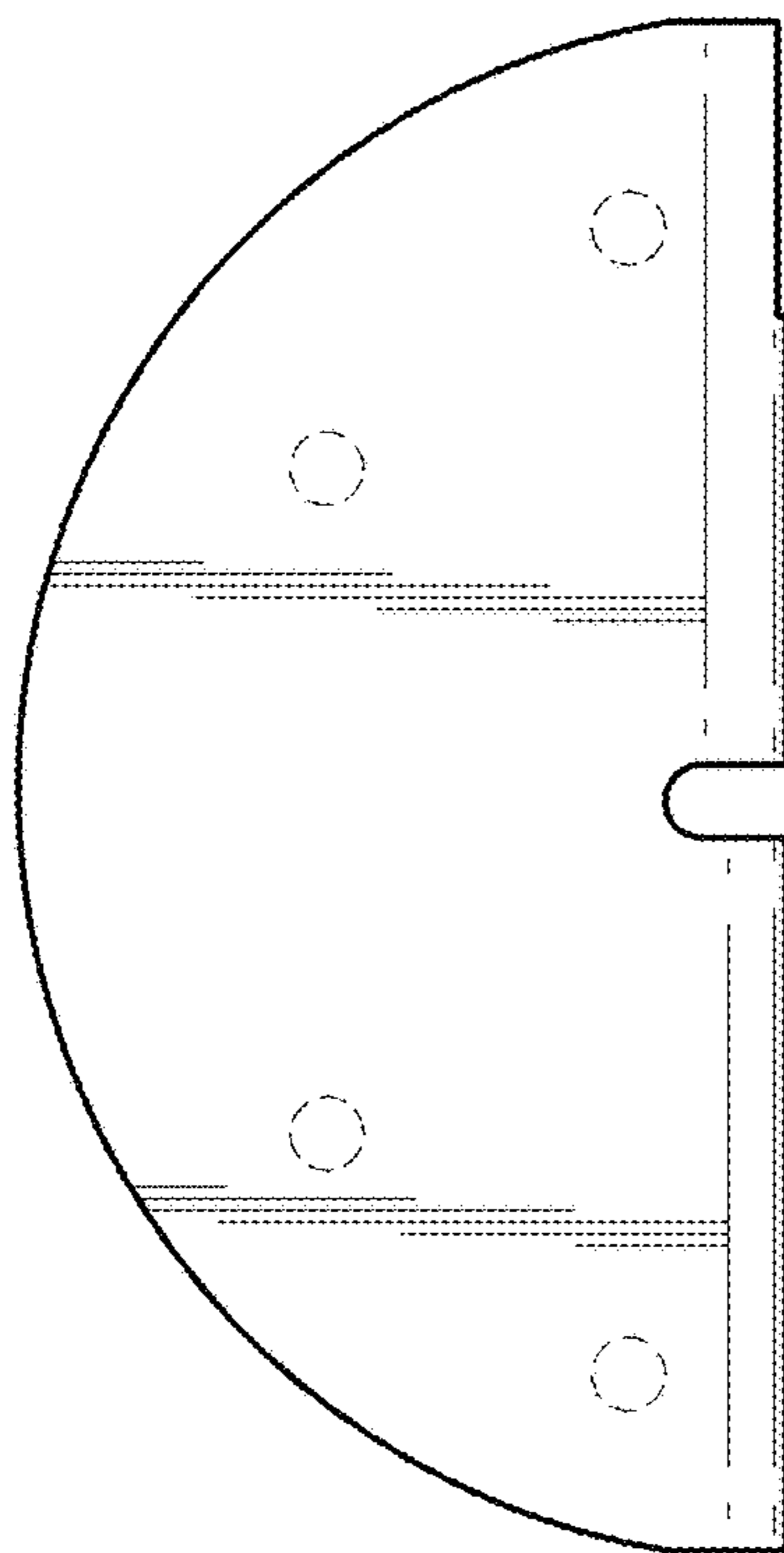


FIG. 4

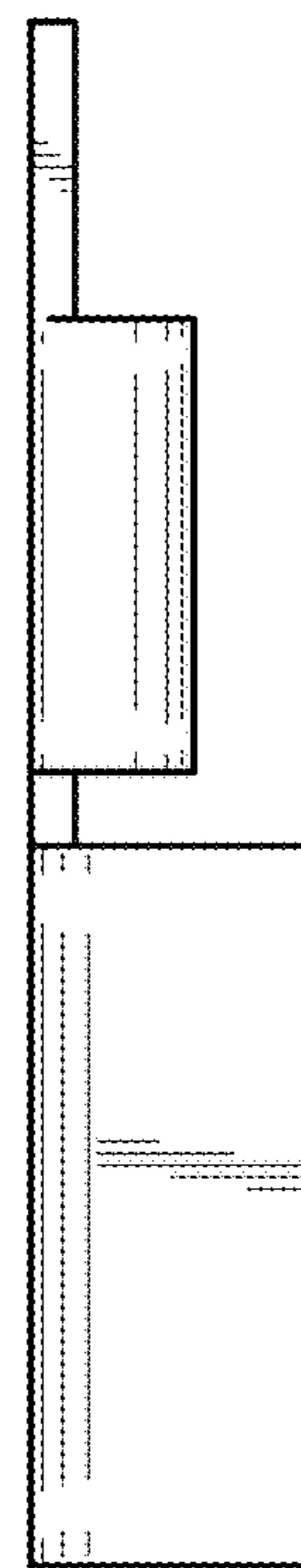


FIG. 5

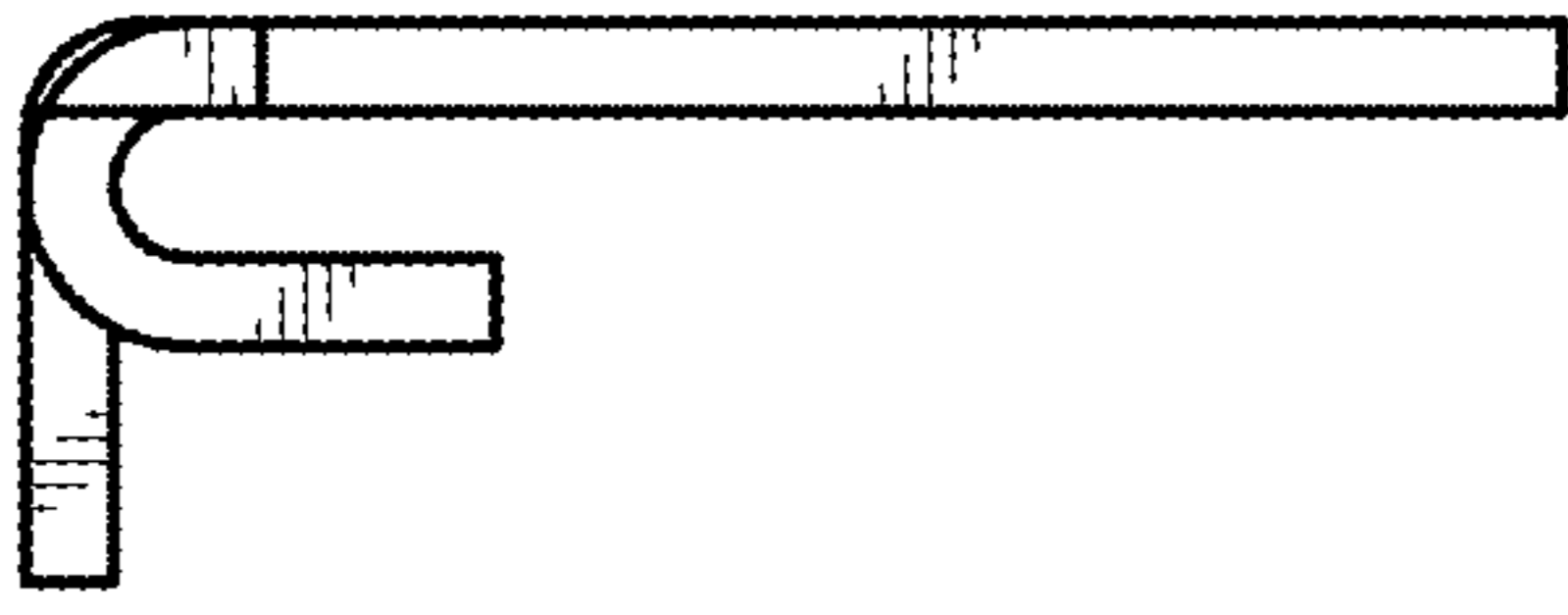


FIG. 6

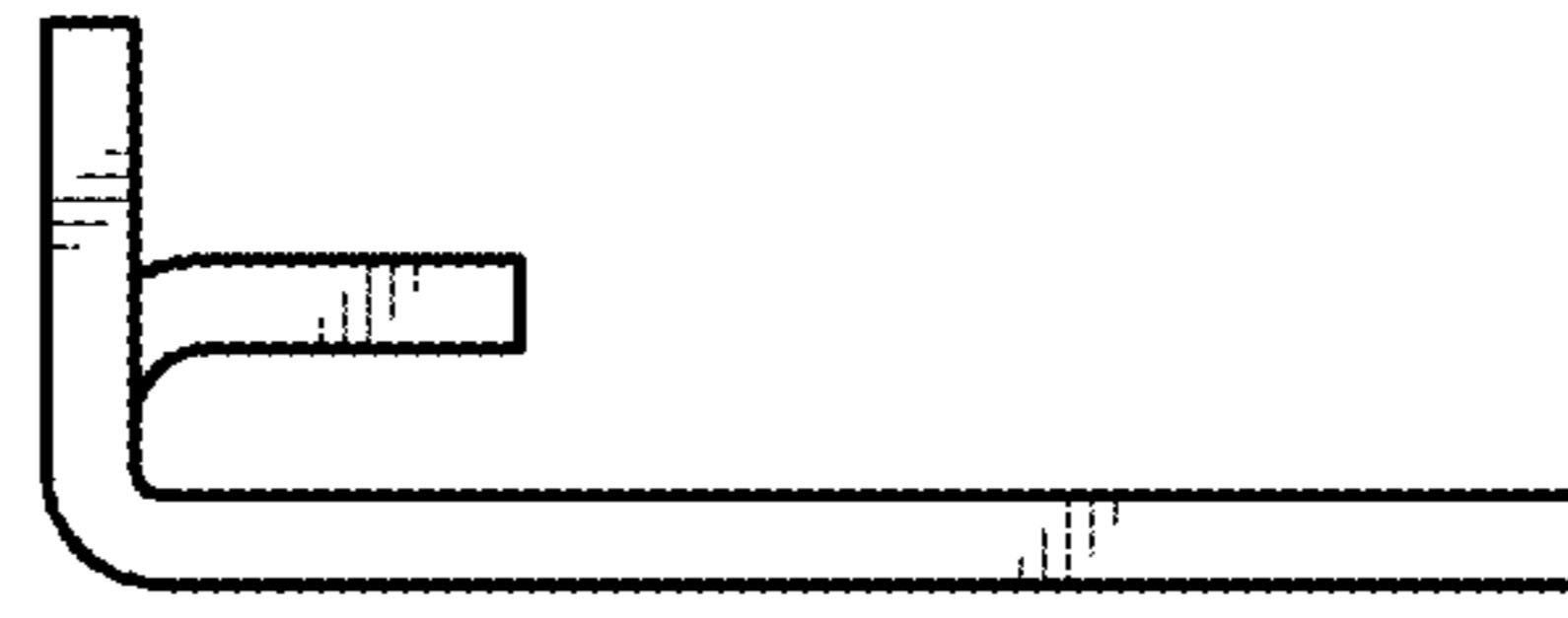


FIG. 7

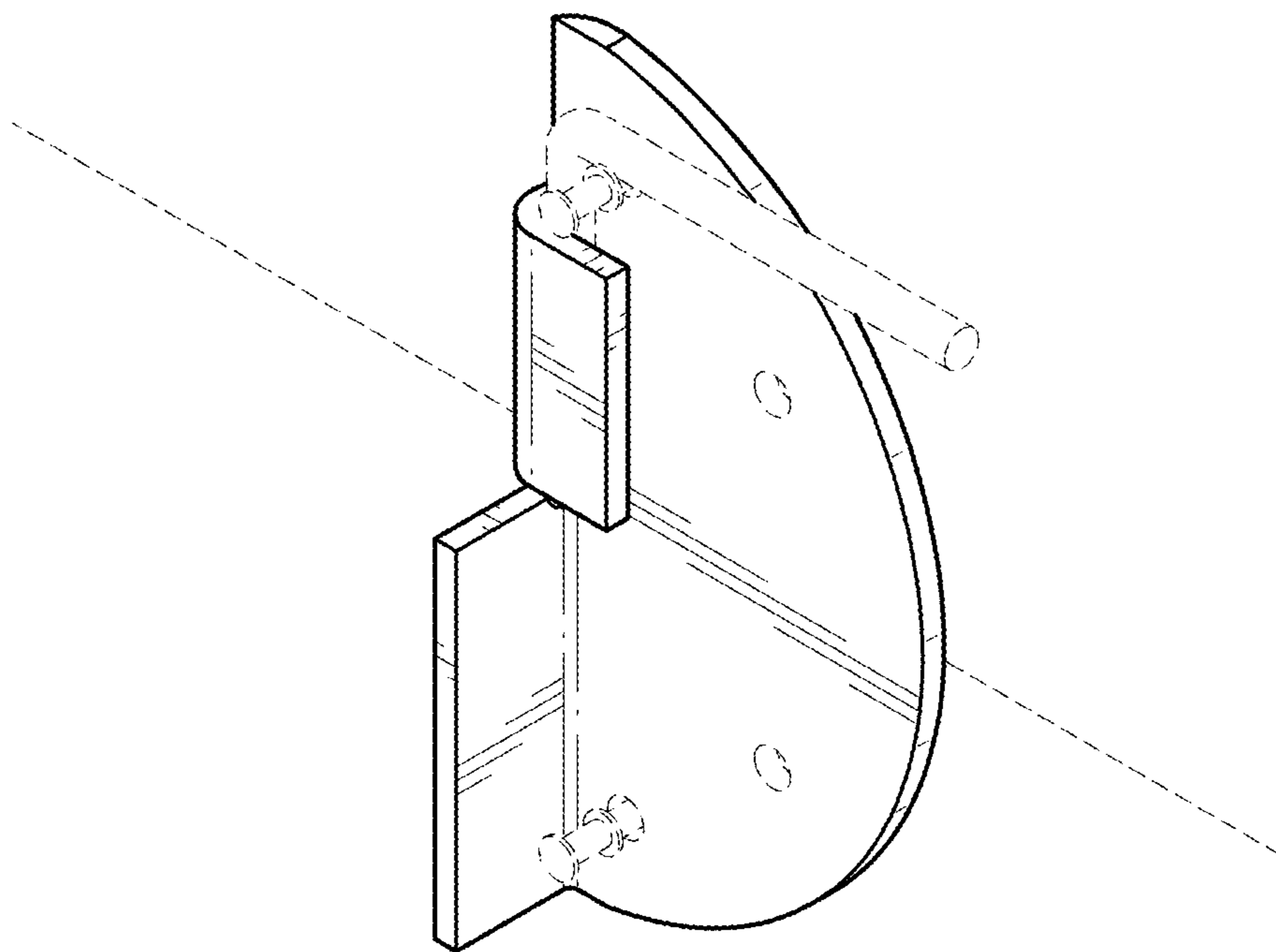


FIG. 8