



US00D808784S

(12) **United States Design Patent**
Suzuki

(10) **Patent No.:** **US D808,784 S**

(45) **Date of Patent:** **** Jan. 30, 2018**

(54) **WALL BOARD ATTACHMENT LUG**

D656,393 S * 3/2012 Honda D8/349
8,979,052 B2 * 3/2015 Uota E04F 13/0846

(71) Applicant: **Nichiha Corporation**, Nagoya-shi,
Aichi (JP)

2003/0126820 A1 * 7/2003 Callahan E04B 5/12
52/514

(72) Inventor: **Kenji Suzuki**, Nagoya (JP)

2005/0102944 A1 * 5/2005 Hikai E04F 13/0889
52/511

(73) Assignee: **NICHIHA CORPORATION**,
Nagoya-Shi (JP)

2006/0272261 A1 * 12/2006 Ito E04F 13/0846
52/586.1
2016/0040433 A1 * 2/2016 Sawada E04F 13/085
52/506.05

(**) Term: **15 Years**

FOREIGN PATENT DOCUMENTS

(21) Appl. No.: **29/576,302**

JP 1077229 S 7/2000

(22) Filed: **Sep. 1, 2016**

* cited by examiner

(30) **Foreign Application Priority Data**

Mar. 3, 2016 (JP) 2016-004672

(51) **LOC (11) Cl.** **08-08**

(52) **U.S. Cl.**

USPC **D8/384**; D8/382

(58) **Field of Classification Search**

USPC D8/16, 19, 71, 349, 354, 373, 380, 382,
D8/384, 499; D25/102, 199

CPC E04F 13/0837; E04F 13/08; E04B
2002/7475; E04B 2001/405; E04B
2/7457; Y10S 52/06

See application file for complete search history.

(56) **References Cited**

U.S. PATENT DOCUMENTS

6,315,489 B1 * 11/2001 Watanabe E04F 13/0846
248/220.21

D472,791 S * 4/2003 Callahan D8/349

D591,585 S * 5/2009 Hikai D8/382

D610,899 S * 3/2010 Hikai D8/382

D620,784 S * 8/2010 Hikai D8/382

D626,407 S * 11/2010 Tedesco D8/380

D649,015 S * 11/2011 Honda D8/349

Primary Examiner — Sandra Snapp

Assistant Examiner — Ieisha Price

(74) *Attorney, Agent, or Firm* — Birch, Stewart, Kolasch
& Birch, LLP

(57) **CLAIM**

The ornamental design for a wall board attachment lug, as shown and described.

DESCRIPTION

FIG. 1 is a front view of a wall board attachment lug showing my new design;

FIG. 2 is a back view thereof;

FIG. 3 is a top view thereof;

FIG. 4 is a bottom view thereof;

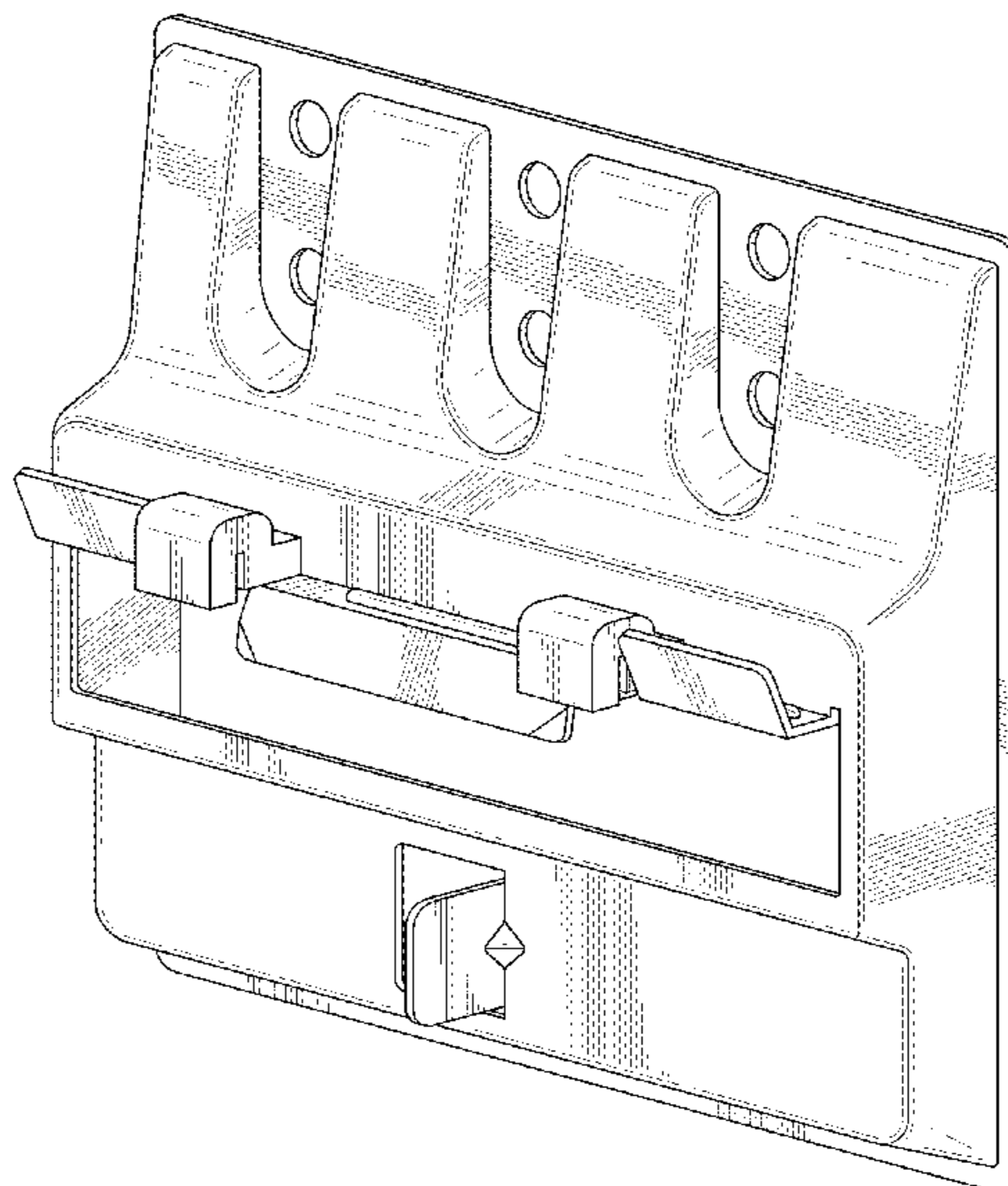
FIG. 5 is a right side view thereof;

FIG. 6 is a left side view thereto; and,

FIG. 7 is a front, right perspective view thereof.

The broken lines in the drawings illustrate portions of the wall board attachment lug and form no part of the claimed design.

1 Claim, 7 Drawing Sheets



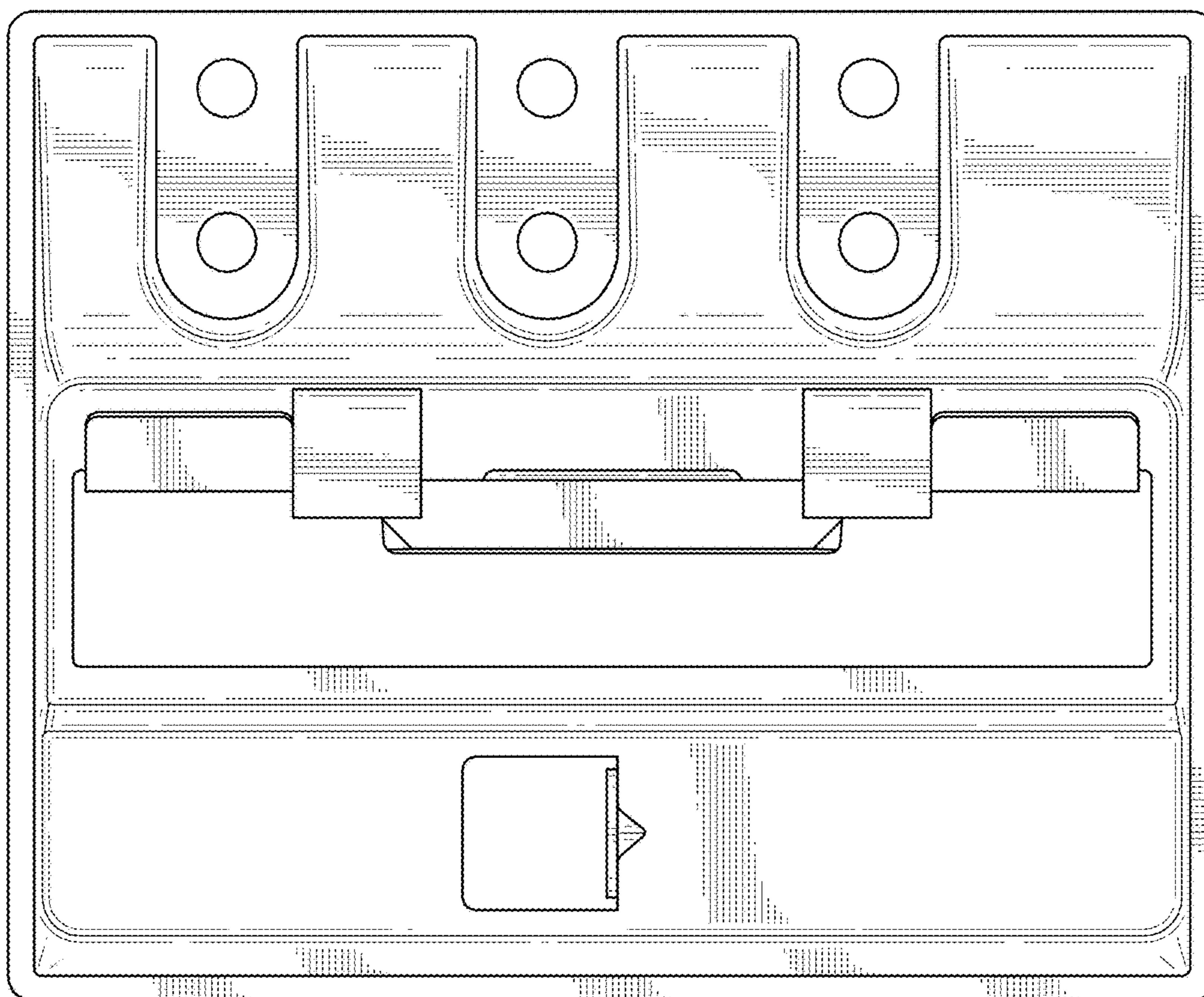


FIG.1

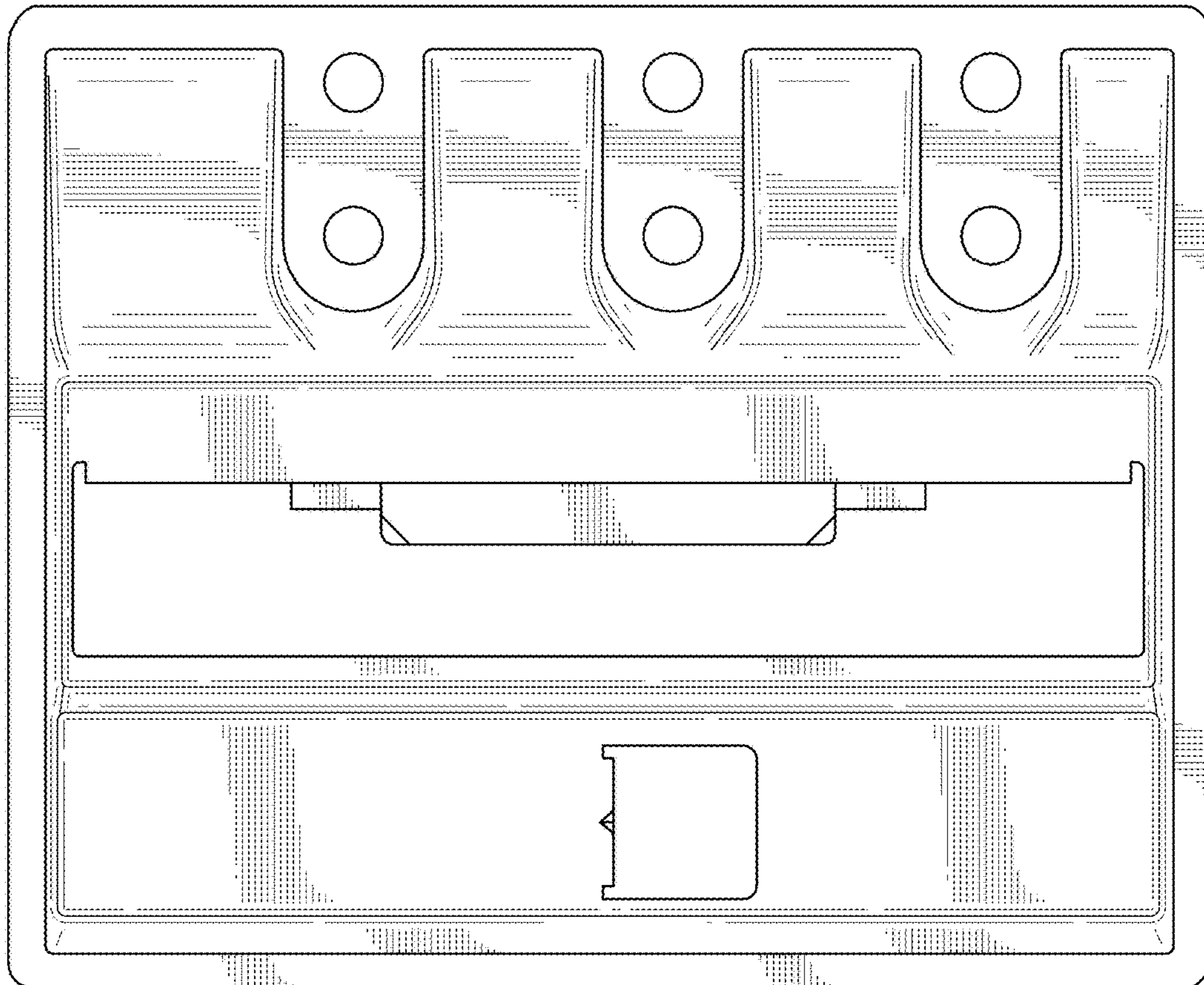


FIG.2

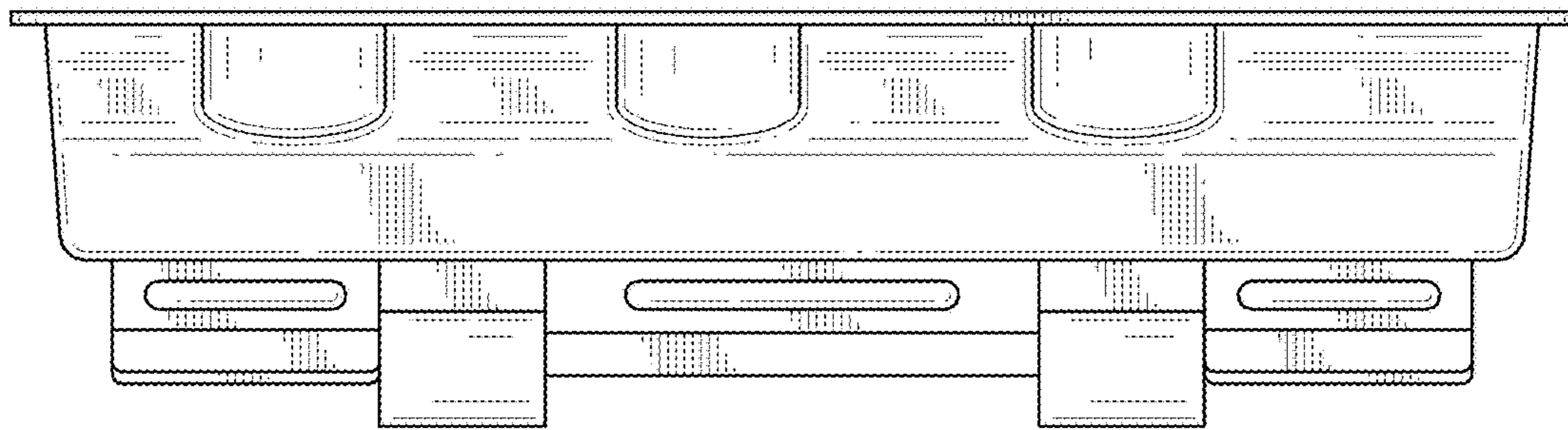


FIG.3

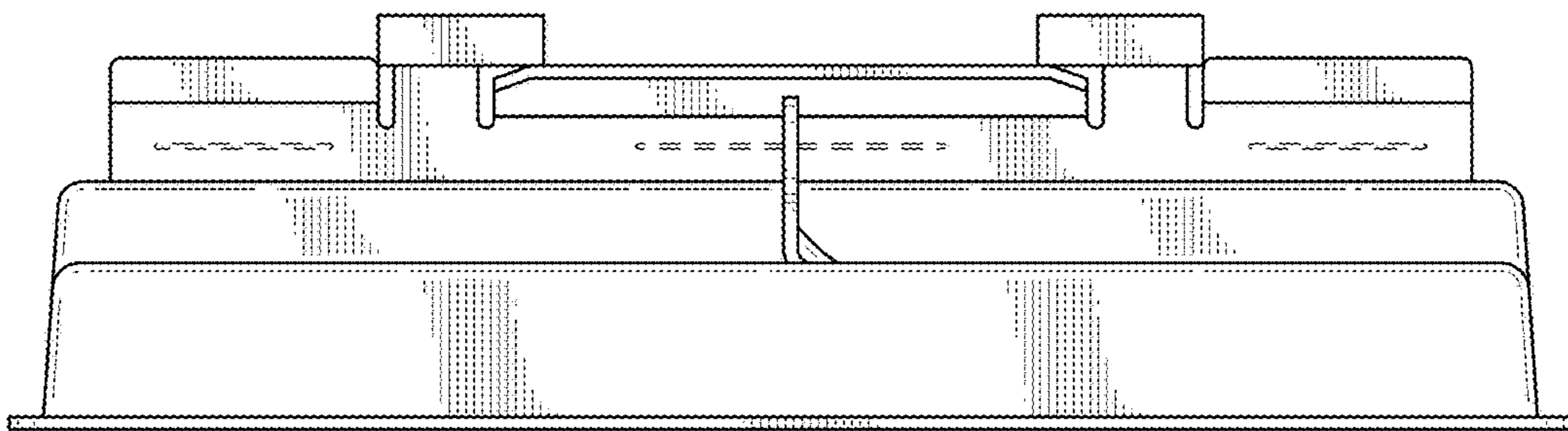


FIG.4

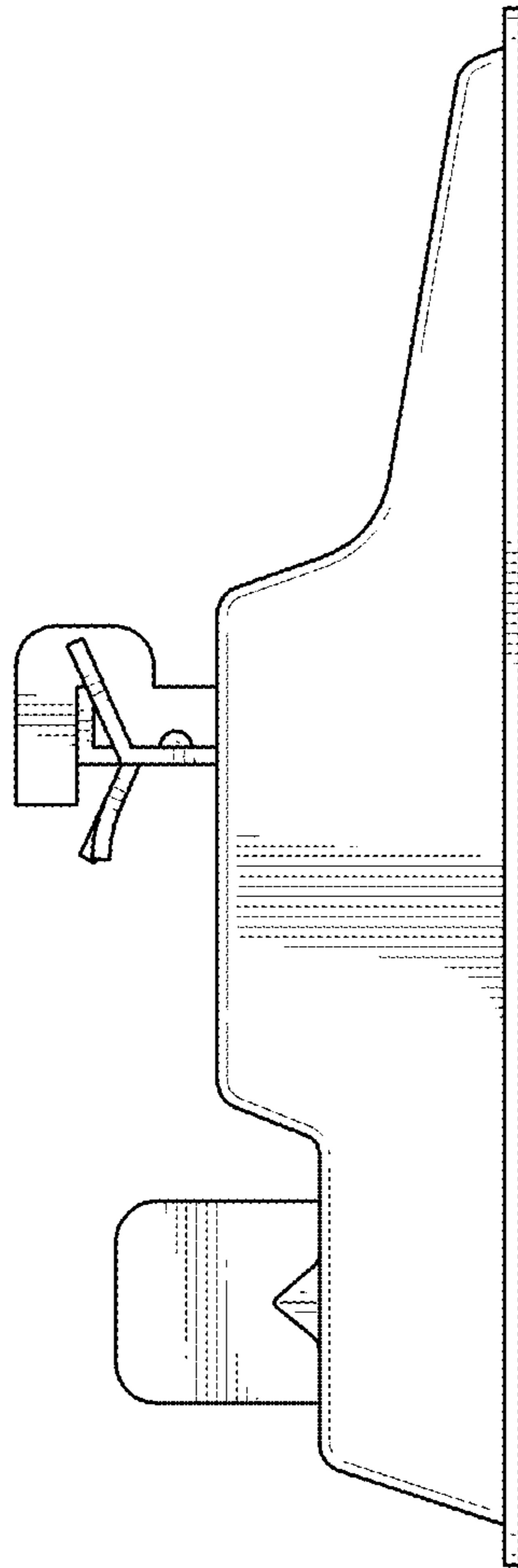


FIG.5

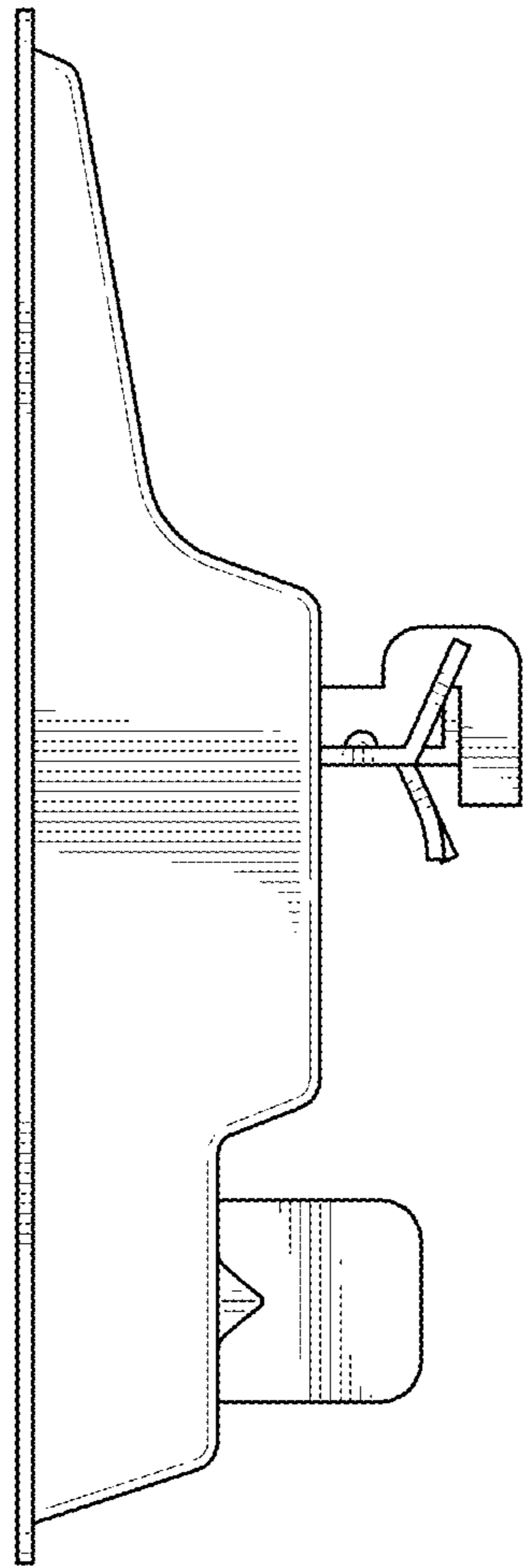


FIG.6

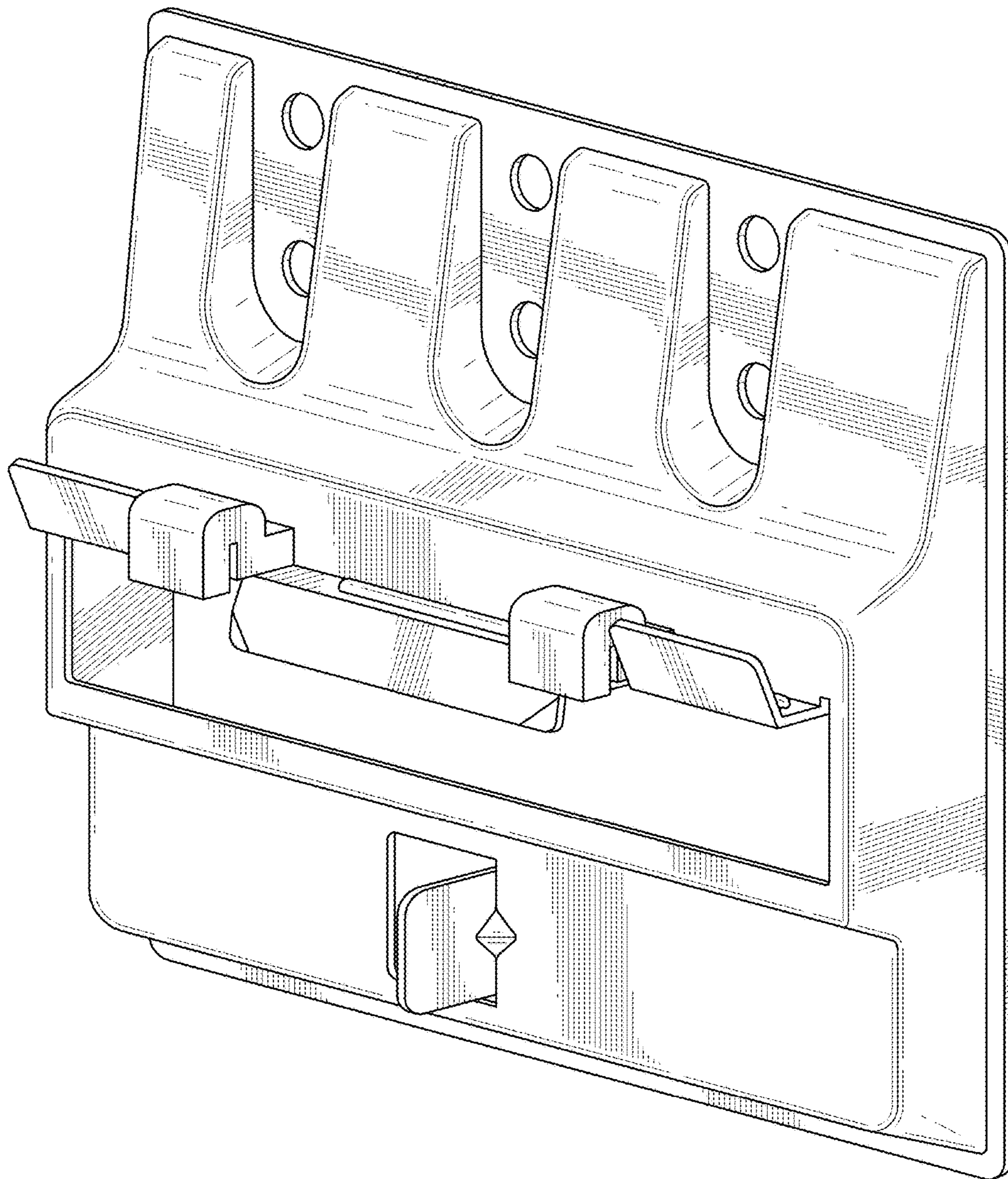


FIG.7