



US00D808783S

(12) **United States Design Patent**
Heindl

(10) **Patent No.: US D808,783 S**

(45) **Date of Patent: ** *Jan. 30, 2018**

(54) **CONNECTING ELEMENT FOR SHEET PILES**

(71) Applicant: **Richard Heindl**, Graefelfing (DE)

(72) Inventor: **Richard Heindl**, Graefelfing (DE)

(*) Notice: This patent is subject to a terminal disclaimer.

(**) Term: **15 Years**

(21) Appl. No.: **29/578,584**

(22) Filed: **Sep. 22, 2016**

(30) **Foreign Application Priority Data**

Mar. 23, 2016 (EP) 003038850-0011

(51) **LOC (11) Cl. 08-08**

(52) **U.S. Cl.**
USPC **D8/382**

(58) **Field of Classification Search**
USPC D8/382, 394, 395; D25/119
CPC E02D 5/02; E02D 5/04; E02D 5/06; E02D 5/08; E02D 5/12; Y10T 403/73
See application file for complete search history.

(56) **References Cited**

U.S. PATENT DOCUMENTS

- 976,573 A * 11/1910 Jones E02D 5/04
405/278
- 1,770,652 A * 7/1930 Meiser E02D 5/04
405/277
- 1,771,224 A * 7/1930 Kohler E02D 5/04
405/277
- 1,835,367 A * 12/1931 Becker E02D 5/04
405/277
- 1,835,417 A * 12/1931 Mauterer E02D 5/04
405/277
- 1,841,779 A * 1/1932 Becker E02D 5/04
405/279

- 1,860,205 A * 5/1932 Schenker E01D 19/10
238/349
- 1,985,795 A * 12/1934 Prielipp E02D 5/04
405/277
- 2,093,208 A * 9/1937 Nolte E02D 5/04
29/897.3
- 2,099,542 A * 11/1937 Stevens E02D 5/04
405/278
- D246,889 S * 1/1978 Eckerline D25/121
- D289,983 S * 5/1987 Mino D12/50
- 6,042,306 A * 3/2000 Arndts E02D 5/08
405/278
- 6,092,346 A * 7/2000 Even E02D 5/06
403/363
- D465,291 S * 11/2002 Marshall D25/119
- D782,903 S * 4/2017 Heindl D8/382
- D788,573 S * 6/2017 Heindl D8/382
- 2005/0238443 A1 * 10/2005 Heindl E02D 5/08
405/277
- 2006/0179771 A1 * 8/2006 Heindl E02D 5/04
52/588.1
- 2006/0283139 A1 * 12/2006 Wall E02D 5/04
52/782.1

(Continued)

Primary Examiner — Sandra Snapp

Assistant Examiner — Ieisha Price

(74) *Attorney, Agent, or Firm* — Shuttleworth & Ingersoll, PLC; Timothy Klima

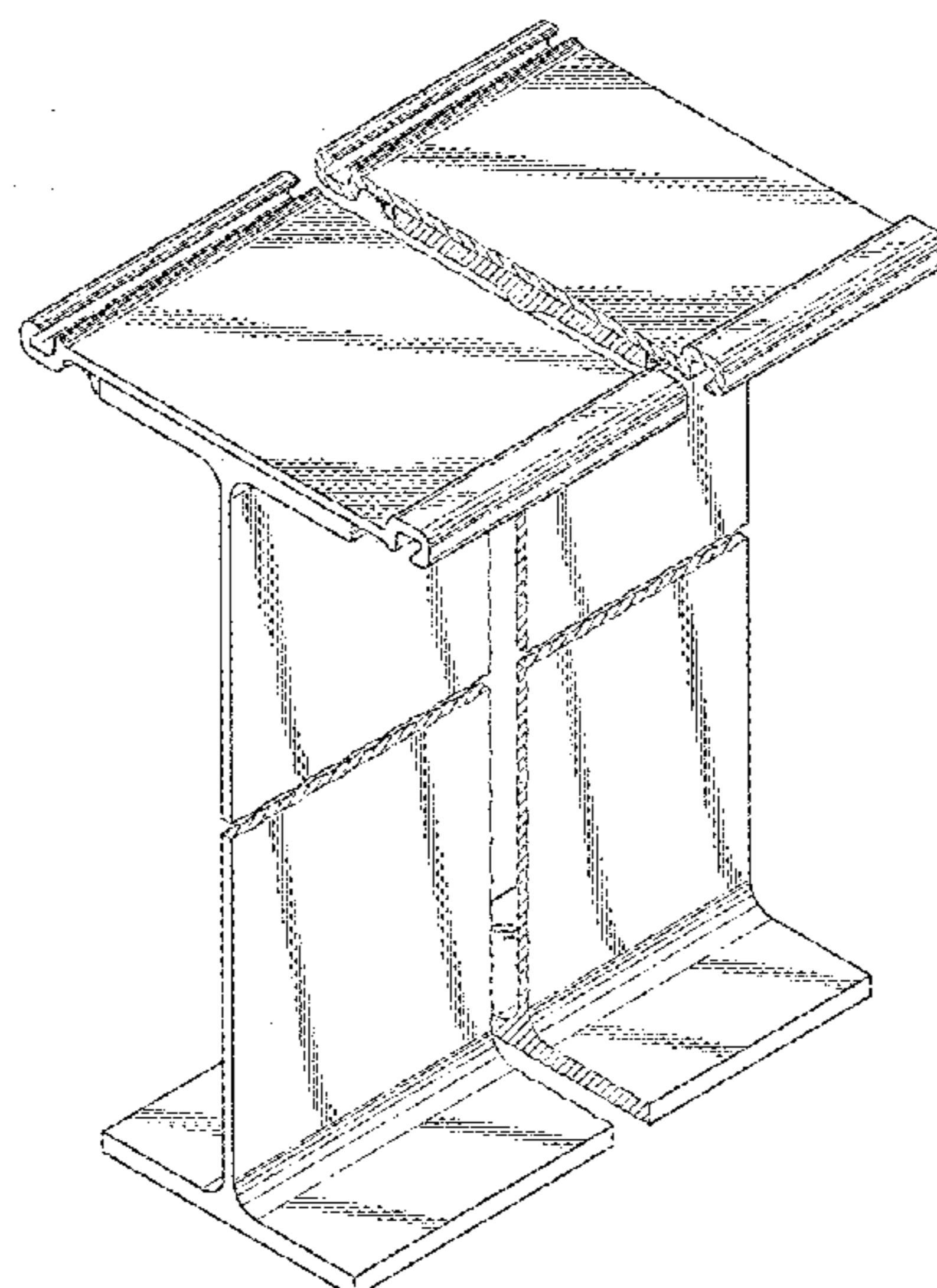
(57) **CLAIM**

The ornamental design for a connecting element for sheet piles, as shown and described.

DESCRIPTION

FIG. 1 is a perspective view of a connecting element for sheet piles; and,
FIG. 2 is a front view thereof.
All portions of the connecting element for sheet piles located between the break lines, shown throughout the drawing disclosure, form no part of the claimed design.

1 Claim, 2 Drawing Sheets



(56)

References Cited

U.S. PATENT DOCUMENTS

2007/0077129	A1 *	4/2007	Hermes	E02D 5/08 405/278
2008/0145153	A1 *	6/2008	Wendt	E02B 3/108 405/274
2008/0175674	A1 *	7/2008	Heindl	E02D 5/08 405/278
2010/0151269	A1 *	6/2010	Hermes	E02D 5/04 428/598
2010/0166508	A1 *	7/2010	Tanaka	E02D 5/04 405/276
2010/0290843	A1 *	11/2010	Irvine	E02D 5/02 405/274

* cited by examiner

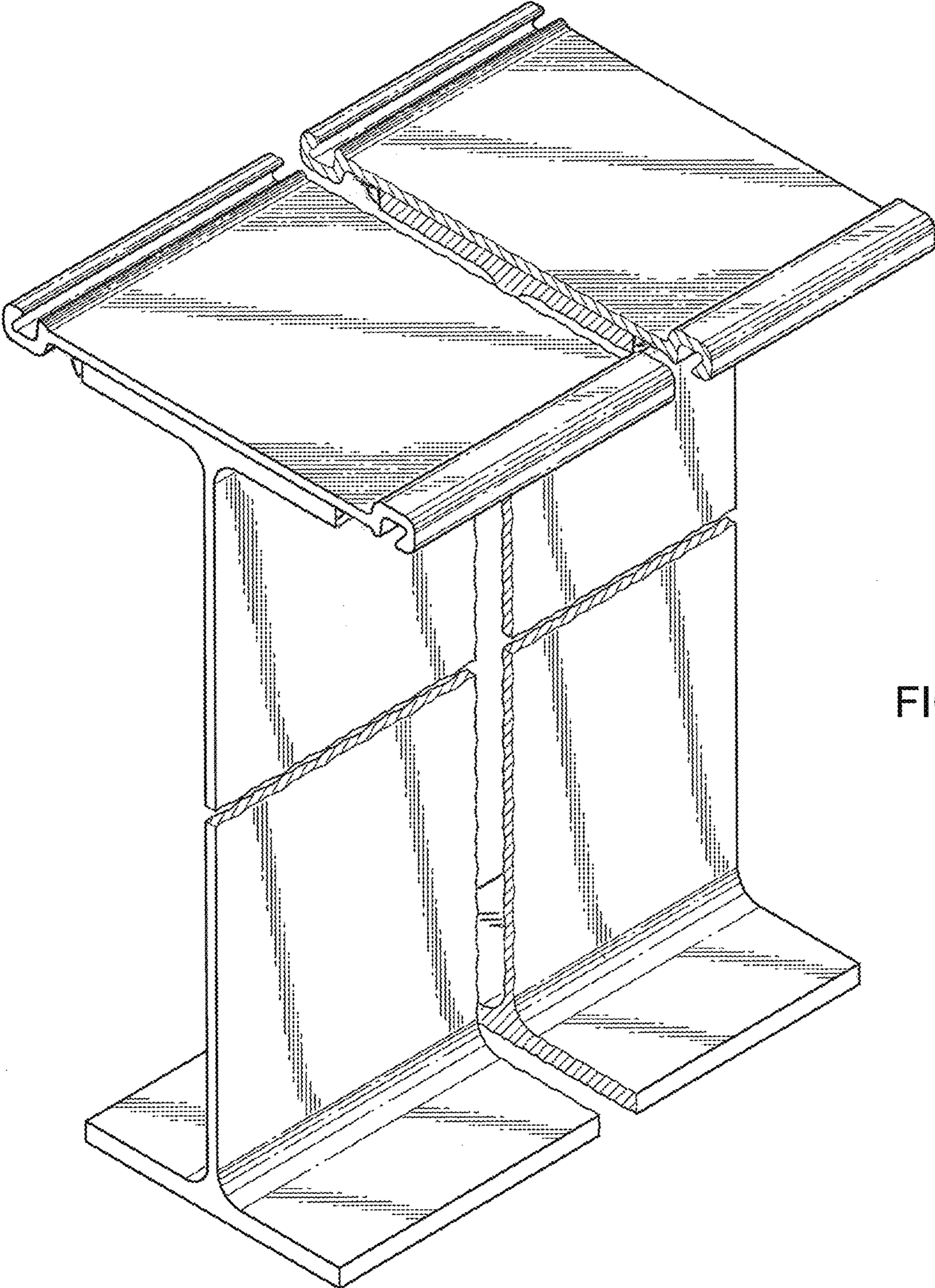


FIG. 1

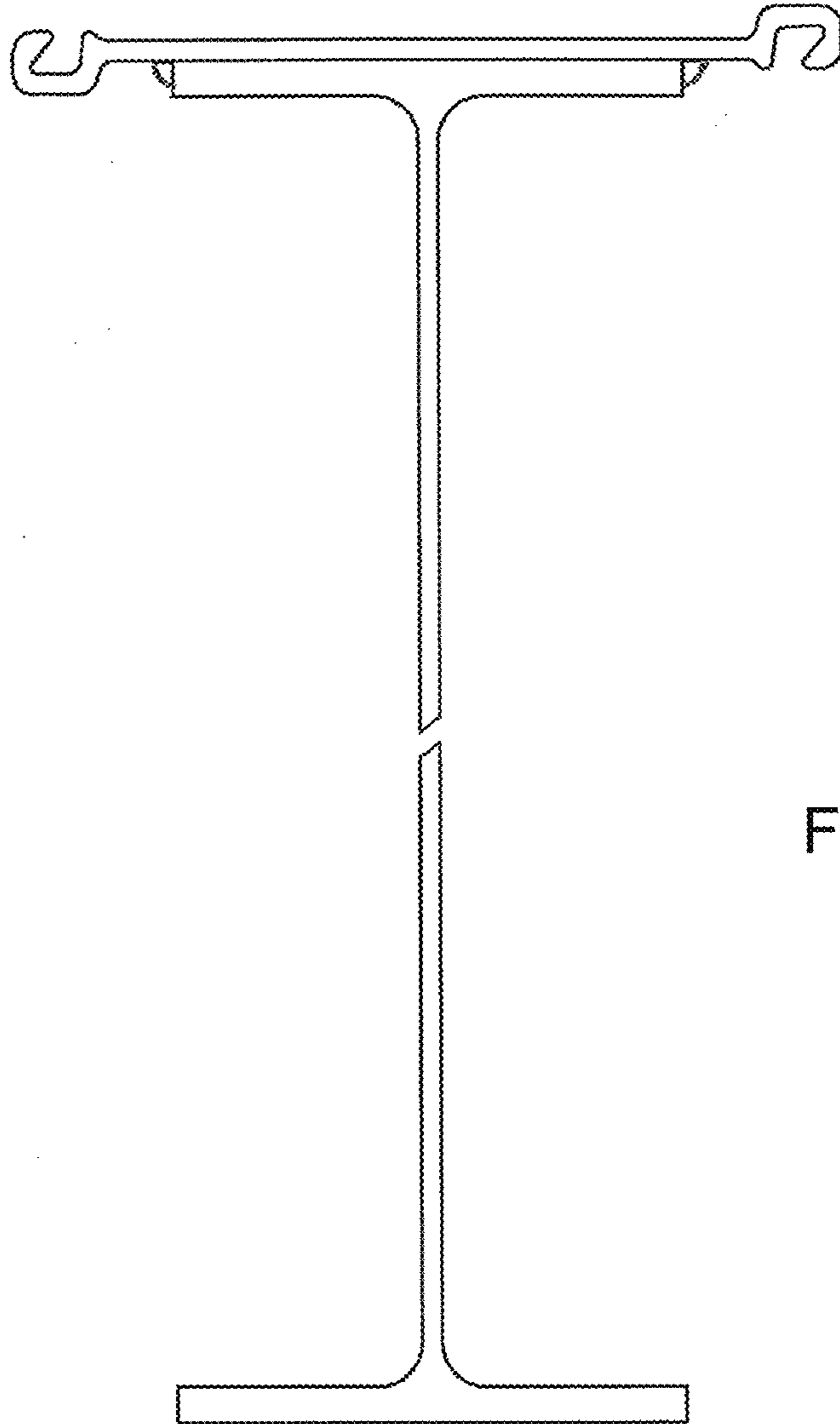


FIG. 2