



US00D808782S

(12) **United States Design Patent**  
**Heindl**

(10) **Patent No.:** **US D808,782 S**  
(45) **Date of Patent:** **\*\* Jan. 30, 2018**

(54) **CONNECTING ELEMENT FOR SHEET PILES**

(71) Applicant: **Richard Heindl**, Graefelfing (DE)

(72) Inventor: **Richard Heindl**, Graefelfing (DE)

(\*\*) Term: **15 Years**

(21) Appl. No.: **29/578,579**

(22) Filed: **Sep. 22, 2016**

(30) **Foreign Application Priority Data**

Mar. 23, 2016 (EM) ..... 003038850-0010

(51) **LOC (11) Cl.** ..... **08-08**

(52) **U.S. Cl.**  
USPC ..... **D8/382**

(58) **Field of Classification Search**  
USPC ..... D8/382, 394, 395; D25/119  
CPC .... E02D 5/02; E02D 5/04; E02D 5/06; E02D  
5/08; E02D 5/12; Y10T 403/73  
See application file for complete search history.

(56) **References Cited**

**U.S. PATENT DOCUMENTS**

- 976,573 A \* 11/1910 Jones ..... E02D 5/04  
405/278
- 1,770,652 A \* 7/1930 Meiser ..... E02D 5/04  
405/277
- 1,771,224 A \* 7/1930 Kohler ..... E02D 5/04  
405/277
- 1,835,367 A \* 12/1931 Becker ..... E02D 5/04  
405/277
- 1,835,417 A \* 12/1931 Mauterer ..... E02D 5/04  
405/277
- 1,841,779 A \* 1/1932 Becker ..... E02D 5/04  
405/279
- 1,860,205 A \* 5/1932 Schenker ..... E01D 19/10  
238/349

- 1,985,795 A \* 12/1934 Prielipp ..... E02D 5/04  
405/277
- 2,093,208 A \* 9/1937 Nolte ..... E02D 5/04  
29/897.3
- 2,099,542 A \* 11/1937 Stevens ..... E02D 5/04  
405/278
- D246,889 S \* 1/1978 Eckerline ..... D25/121
- D289,983 S \* 5/1987 Mino ..... D12/50
- 6,042,306 A \* 3/2000 Arndts ..... E02D 5/08  
405/278
- 6,092,346 A \* 7/2000 Even ..... E02D 5/06  
403/363
- D465,291 S \* 11/2002 Marshall ..... D25/119
- D782,903 S \* 4/2017 Heindl ..... D8/382
- D788,573 S \* 6/2017 Heindl ..... D8/382
- 2005/0238443 A1 \* 10/2005 Heindl ..... E02D 5/08  
405/277
- 2006/0179771 A1 \* 8/2006 Heindl ..... E02D 5/04  
52/588.1
- 2006/0283139 A1 \* 12/2006 Wall ..... E02D 5/04  
52/782.1
- 2007/0077129 A1 \* 4/2007 Hermes ..... E02D 5/08  
405/278

(Continued)

*Primary Examiner* — Sandra Snapp

*Assistant Examiner* — Ieisha Price

(74) *Attorney, Agent, or Firm* — Shuttleworth & Ingersoll, PLC; Timothy Klima

(57) **CLAIM**

The ornamental design for a connecting element for sheet piles, as shown and described.

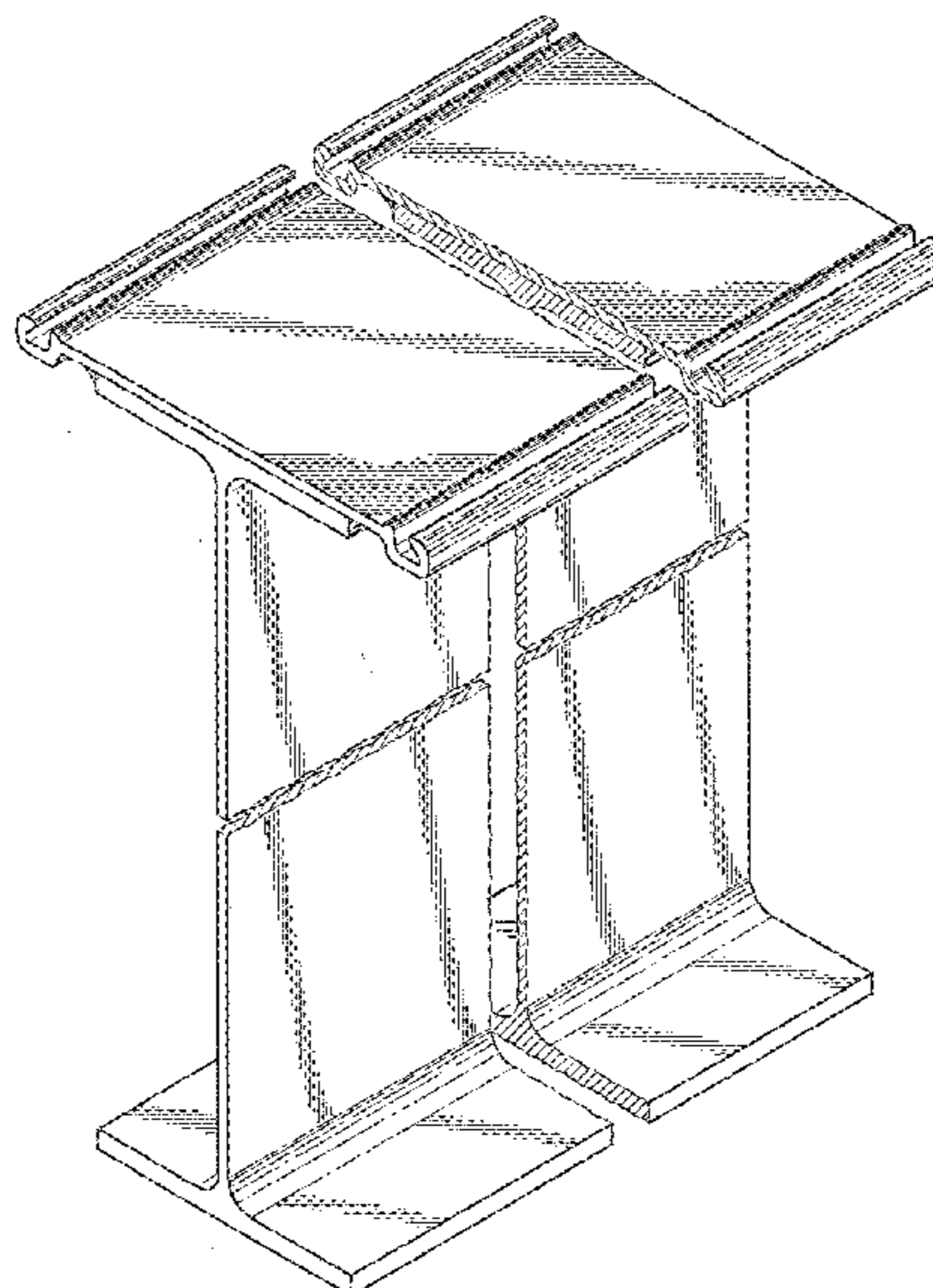
**DESCRIPTION**

FIG. 1 is a perspective view of a connecting element for sheet piles; and,

FIG. 2 is a front view thereof.

All portions of the connecting element for sheet piles located between the break lines, shown throughout the drawing disclosure, form no part of the claimed design.

**1 Claim, 2 Drawing Sheets**



(56)

**References Cited**

U.S. PATENT DOCUMENTS

2008/0145153 A1\* 6/2008 Wendt ..... E02B 3/108  
405/274  
2008/0175674 A1\* 7/2008 Heindl ..... E02D 5/08  
405/278  
2010/0151269 A1\* 6/2010 Hermes ..... E02D 5/04  
428/598  
2010/0166508 A1\* 7/2010 Tanaka ..... E02D 5/04  
405/276  
2010/0290843 A1\* 11/2010 Irvine ..... E02D 5/02  
405/274

\* cited by examiner

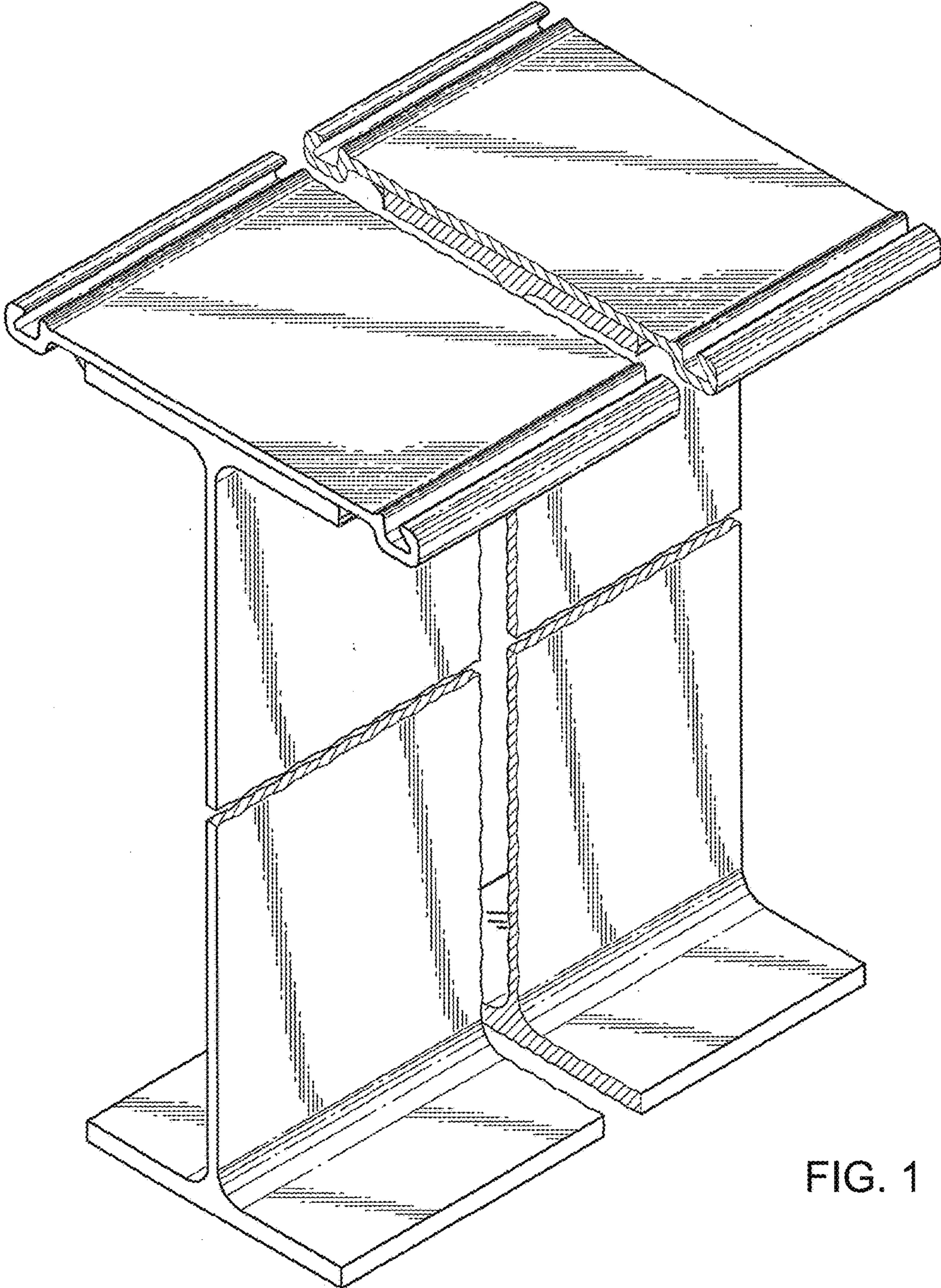


FIG. 1

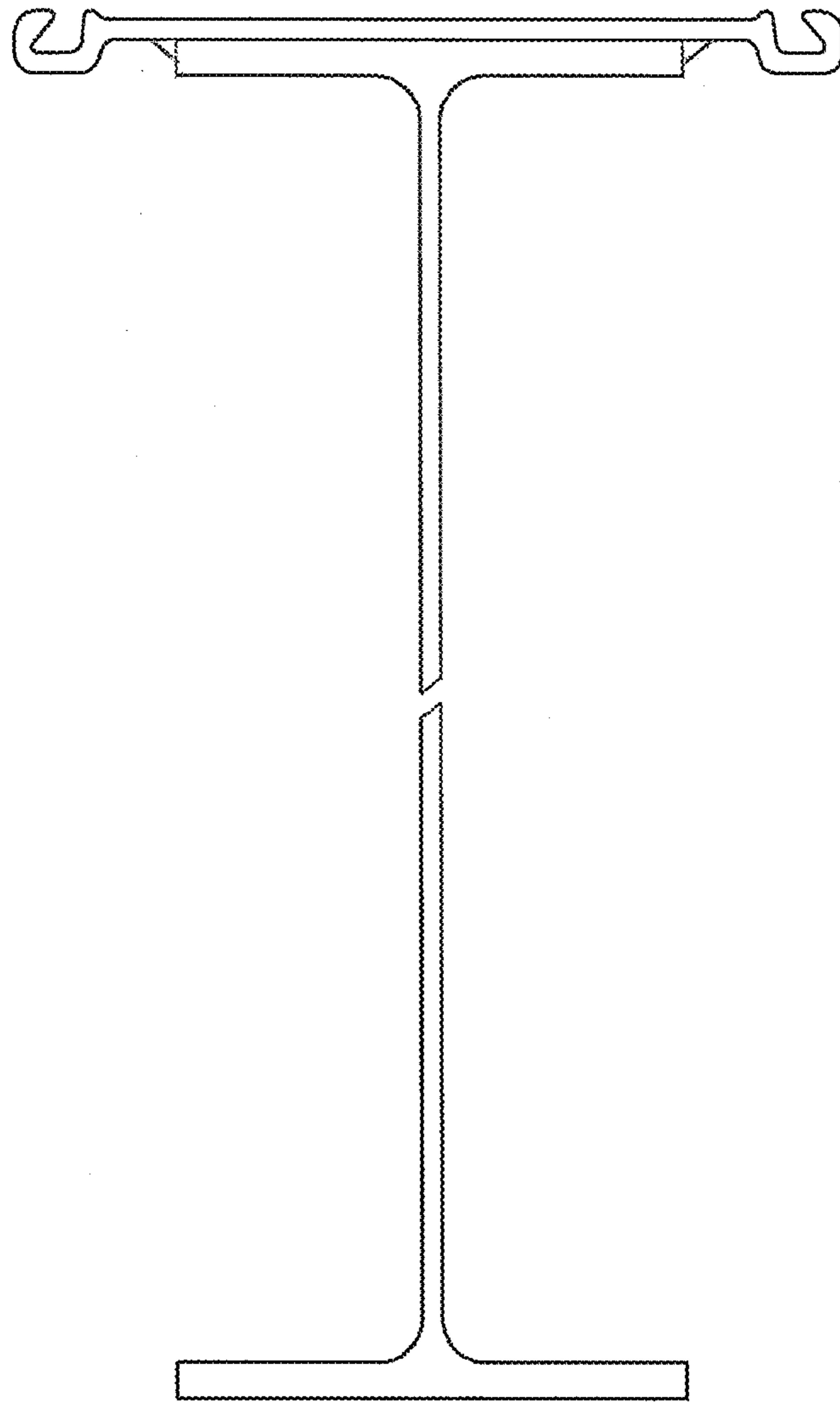


FIG. 2