



US00D808780S

(12) **United States Design Patent**
Kim et al.

(10) **Patent No.:** **US D808,780 S**
(45) **Date of Patent:** **** Jan. 30, 2018**

- (54) **HOOK RAIL HOOK**
- (71) Applicant: **THE HILLMAN GROUP, INC.,**
Cincinnati, OH (US)
- (72) Inventors: **Hyunchul Kim,** Chicago, IL (US);
Holly Prouty, Chicago, IL (US)
- (73) Assignee: **THE HILLMAN GROUP, INC.,**
Cincinnati, OH (US)
- (**) Term: **15 Years**
- (21) Appl. No.: **29/576,445**
- (22) Filed: **Sep. 2, 2016**
- (51) **LOC (11) Cl.** **08-05**
- (52) **U.S. Cl.**
USPC **D8/367**
- (58) **Field of Classification Search**
USPC D8/367, 354, 349, 394, 372, 398, 382,
D8/356; D3/228; 224/247, 197;
248/220.43, 220.42; D13/156; D34/27
CPC F16L 3/13; F16L 3/26; A47G 23/0225;
A47G 25/06; A47G 1/16; A47F 5/0846;
A47F 5/02; A47F 5/0823; H02G 11/003;
D06F 55/00; E04H 17/10; A45F 5/02;
F16B 45/02
See application file for complete search history.

- D435,971 S 1/2001 Solowiej
- D435,972 S 1/2001 Moore
- D436,452 S 1/2001 Gastelum et al.
- D438,715 S 3/2001 Milrud et al.
- D442,056 S 5/2001 Duggan
- D453,271 S 2/2002 Gilbert et al.
- D456,150 S 4/2002 Moore
- D462,844 S 9/2002 Chou
- D465,096 S 11/2002 Ouyoung
- D465,340 S 11/2002 Hoernig
- D465,661 S 11/2002 Hoernig
- D472,060 S 3/2003 Hoernig
- D477,150 S 7/2003 Hoernig
- D478,731 S 8/2003 Hoernig
- D485,156 S 1/2004 Moore
- D496,258 S 9/2004 Fields
- D500,602 S 1/2005 Solowiej
- D526,132 S 8/2006 Solowiej
- D526,493 S 8/2006 Fields
- D526,494 S 8/2006 Fields

(Continued)

Primary Examiner — Cynthia Underwood
(74) *Attorney, Agent, or Firm* — Thompson Hine LLP

(57) **CLAIM**

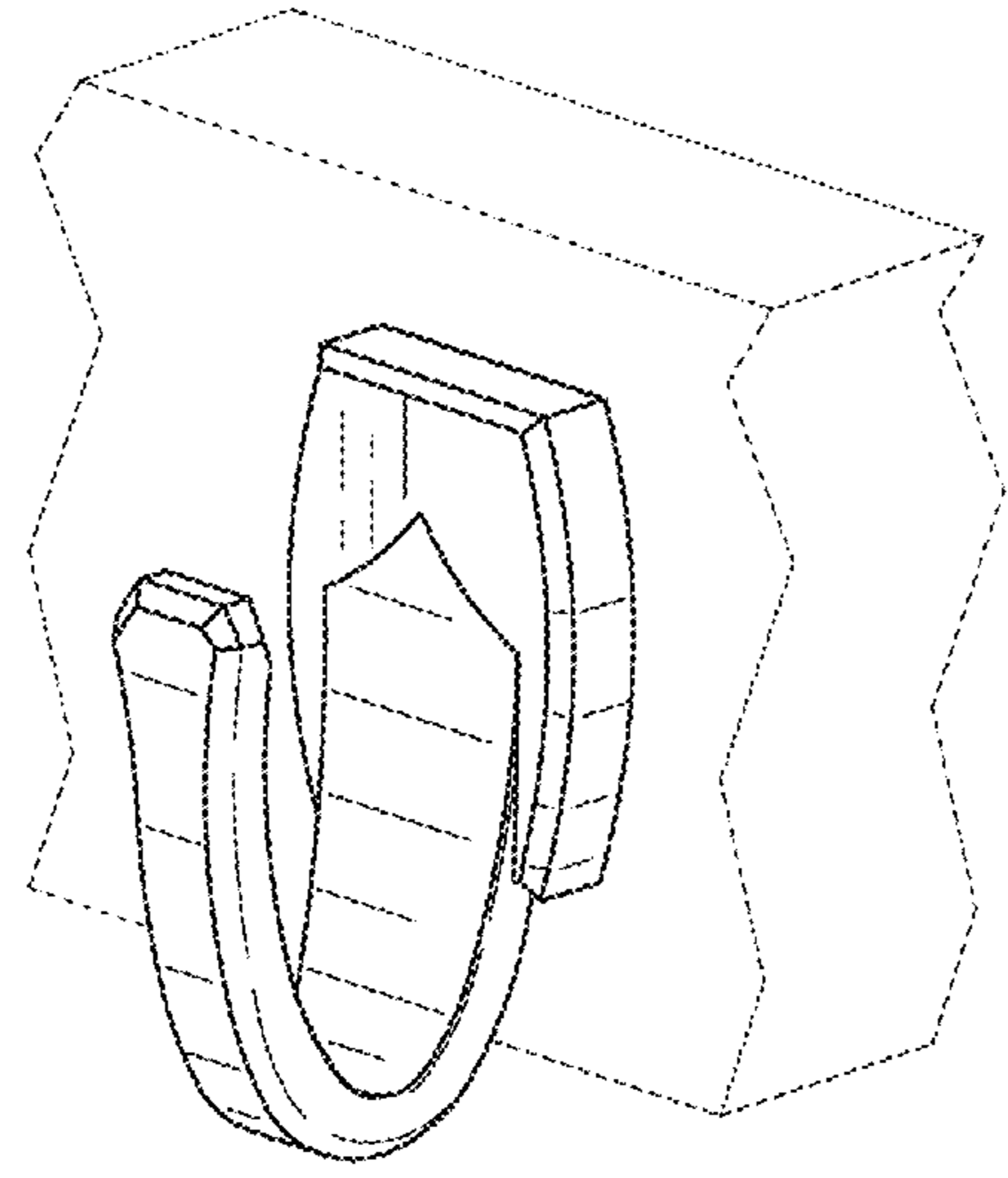
The ornamental design for a hook rail hook, as shown and described.

DESCRIPTION

FIG. 1 is a perspective view of a hook rail hook;
FIG. 2 is front elevation thereof;
FIG. 3 is a top view thereof;
FIG. 4 is a bottom view thereof;
FIG. 5 is one side view thereof; and,
FIG. 6 is another side view thereof.
The dash broken lines shown in the drawings are for purposes of illustrating portions of the hook rail that form no part of the claimed design. The rear portion of the hook is not visible during ordinary use and forms no part of the claimed design.

1 Claim, 2 Drawing Sheets

- (56) **References Cited**
U.S. PATENT DOCUMENTS
- D325,131 S 4/1992 Fujiwara
- D330,289 S 10/1992 Sharpe
- D330,636 S 11/1992 Sharpe
- D390,709 S 2/1998 Moore
- D397,256 S 8/1998 Moore et al.
- D398,451 S 9/1998 Sharpe
- D416,139 S 11/1999 Roth et al.
- D426,390 S 6/2000 Green et al.
- D432,316 S 10/2000 Duggan



(56)

References Cited

U.S. PATENT DOCUMENTS

D532,982 S	12/2006	Chang et al.	
D535,110 S	1/2007	Hoernig	
D542,038 S	5/2007	Tau	
D543,709 S	6/2007	Krumpe et al.	
D548,983 S	8/2007	Krumpe	
D563,109 S	3/2008	Krumpe et al.	
D566,532 S *	4/2008	Wolff	D8/367
D568,621 S	5/2008	Krumpe et al.	
D570,613 S	6/2008	Ricereto	
D573,357 S	7/2008	Bickler et al.	
D578,779 S	10/2008	Lee et al.	
D580,186 S	11/2008	Krumpe et al.	
D581,711 S *	12/2008	Goodman	D6/572
D607,650 S	1/2010	Krumpe	
D608,100 S	1/2010	Yoo	
D630,027 S	1/2011	Romero	
D665,653 S *	8/2012	Thompson	D8/367
D668,935 S	10/2012	Yoo	
D672,974 S	12/2012	Krumpe	
D678,041 S *	3/2013	Pan	D8/367
D692,244 S	10/2013	Romero et al.	
D694,097 S *	11/2013	Hammer	D8/372
D697,388 S *	1/2014	Pan	D8/367
D714,623 S *	10/2014	Pan	D8/367
D720,937 S	1/2015	Fritz	
D720,984 S *	1/2015	Privitera	D8/367
D750,390 S	3/2016	Bahler	
D751,372 S *	3/2016	Thompson	D8/372
D759,469 S	6/2016	Garland	
D764,901 S *	8/2016	Esparza	D8/367
D769,004 S	10/2016	Bahler	
D769,702 S *	10/2016	Kuniyoshi	D8/367

* cited by examiner

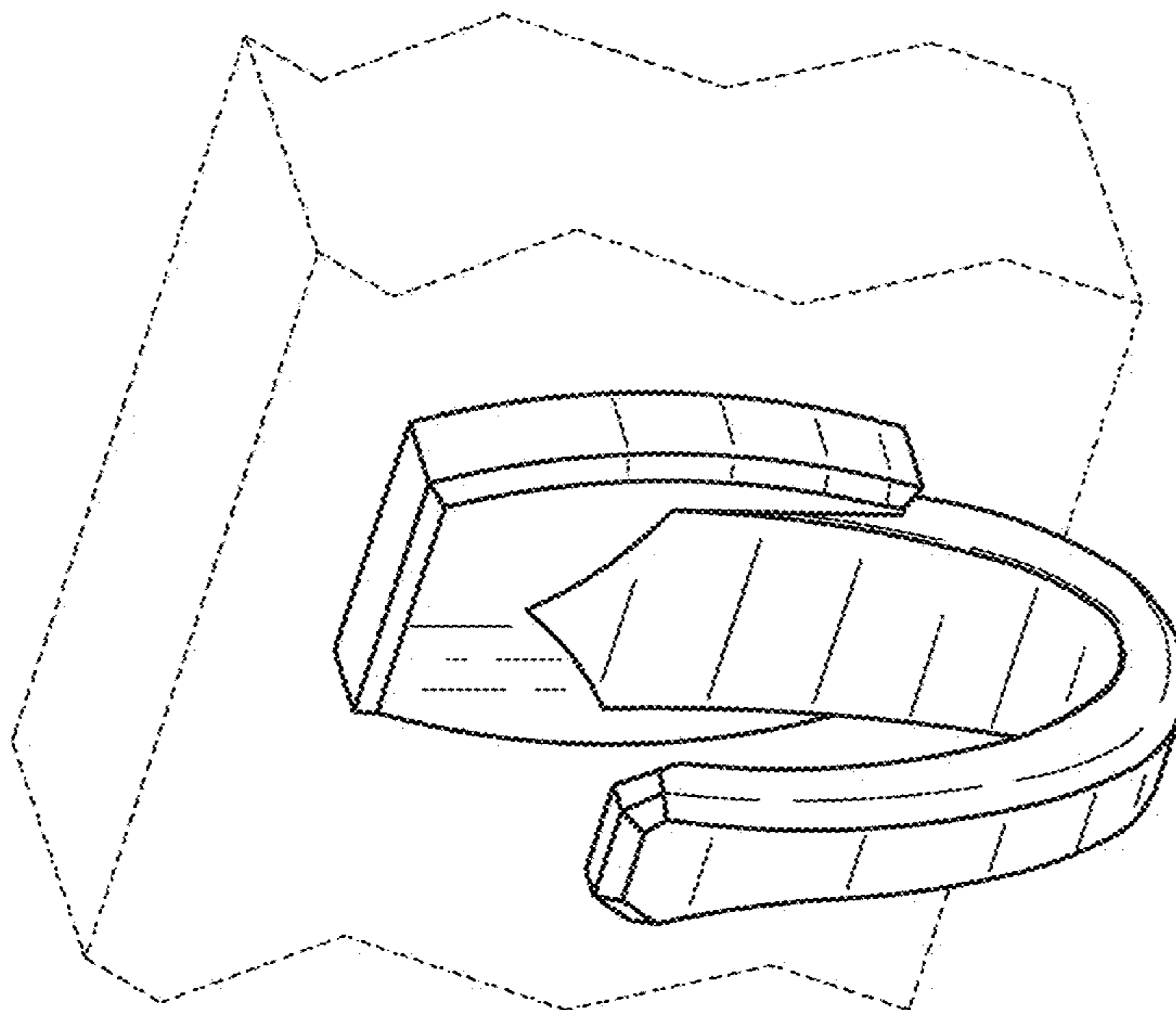


FIG. 1

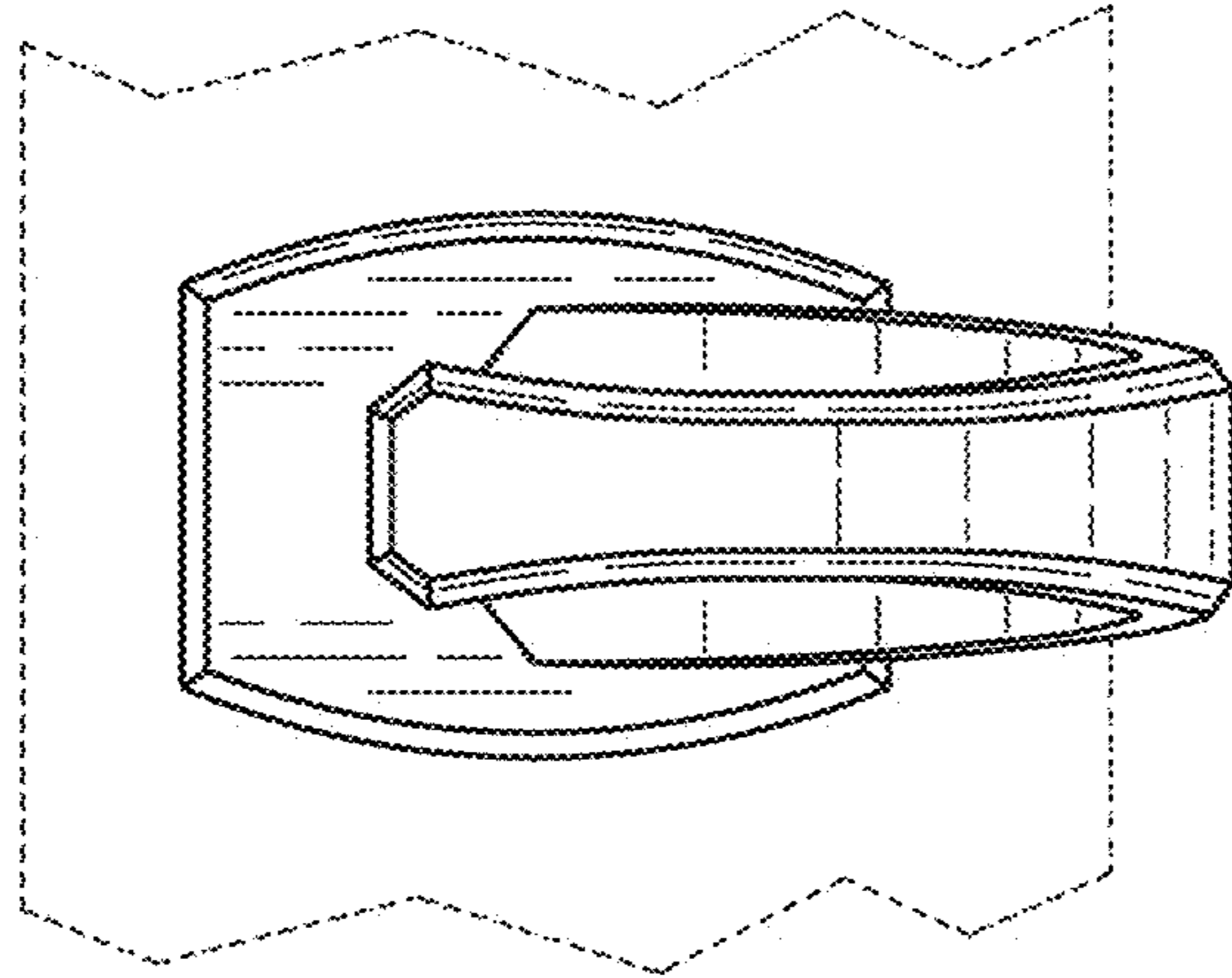


FIG. 2

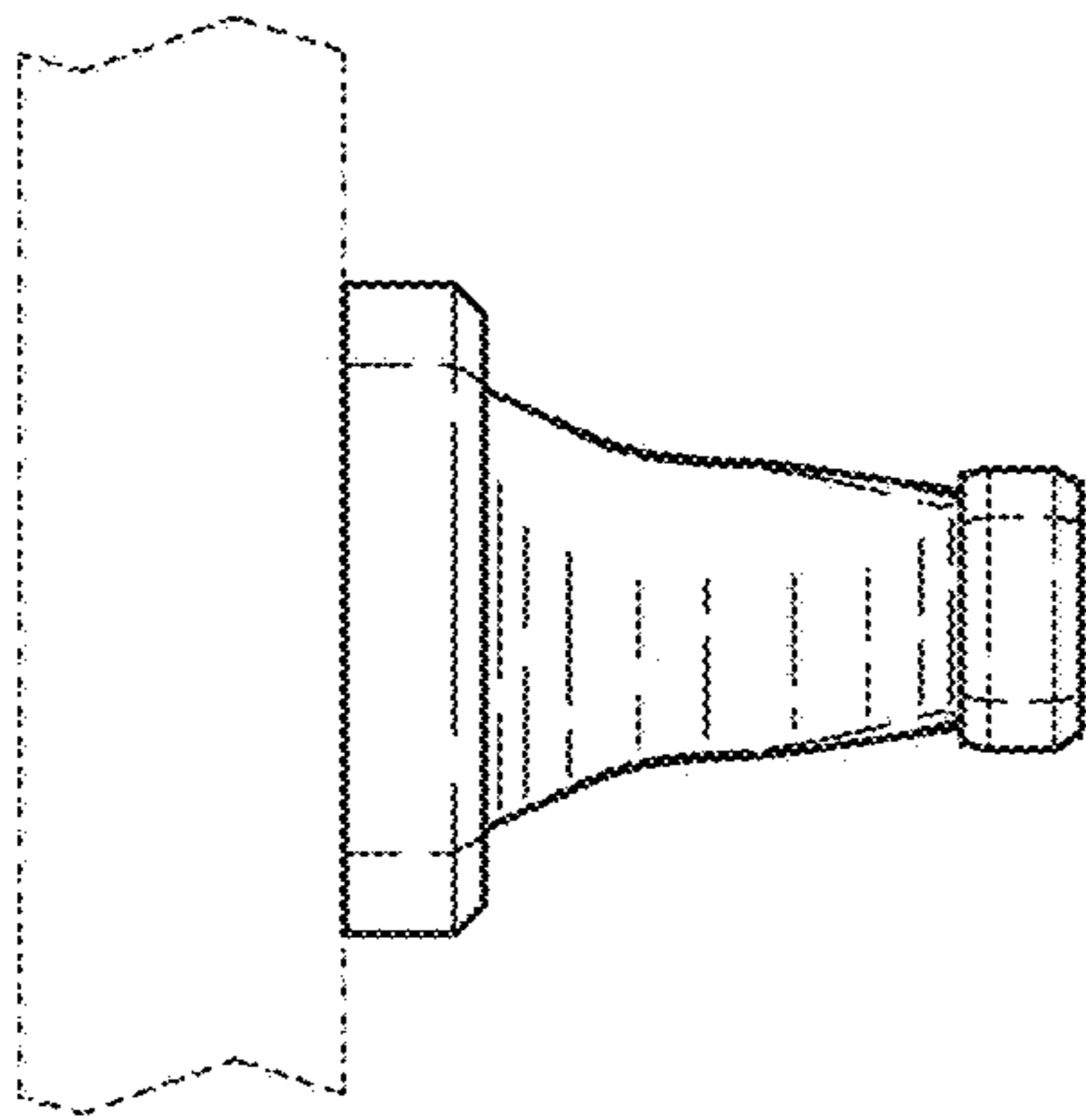


FIG. 3

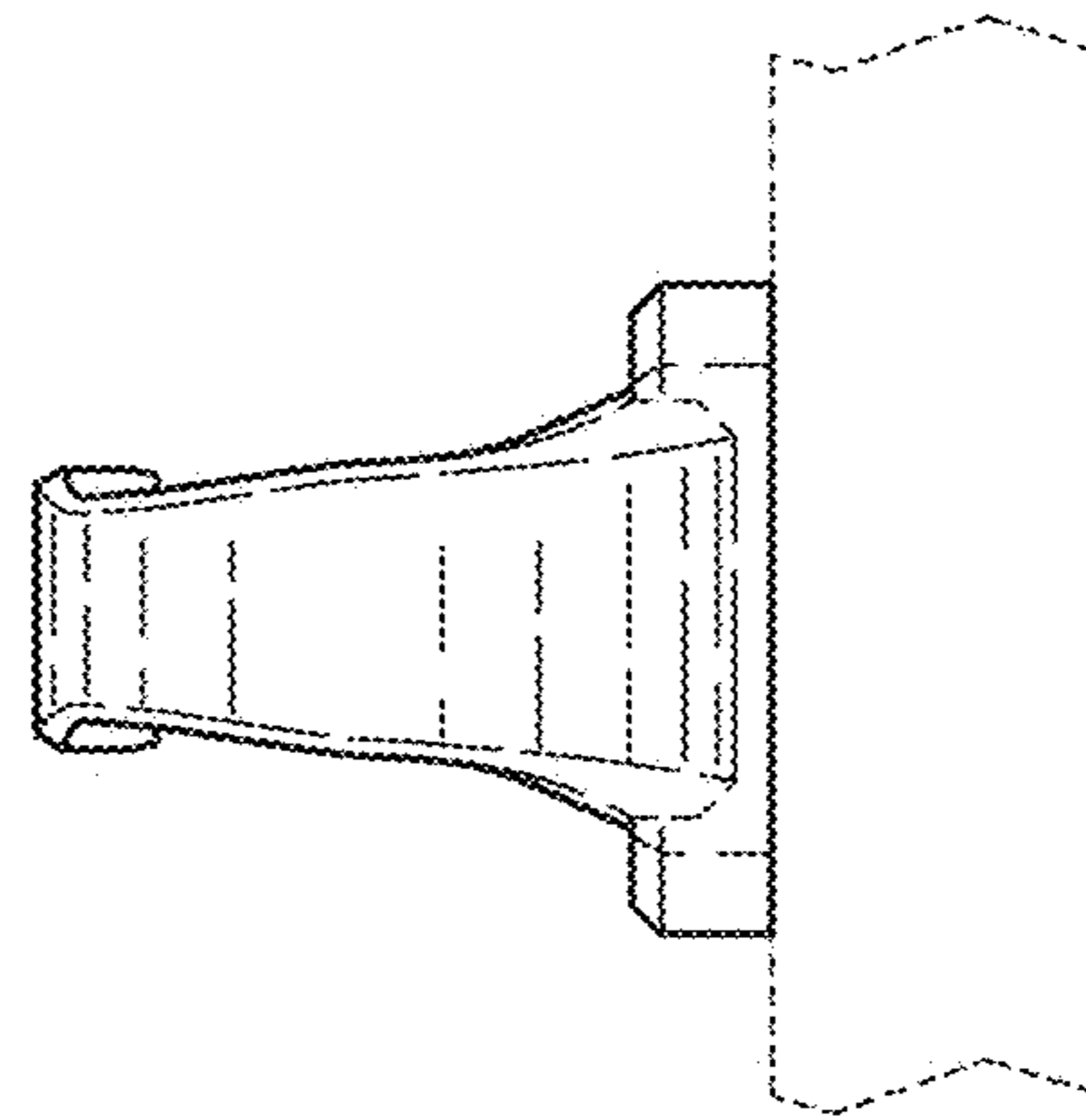


FIG. 4

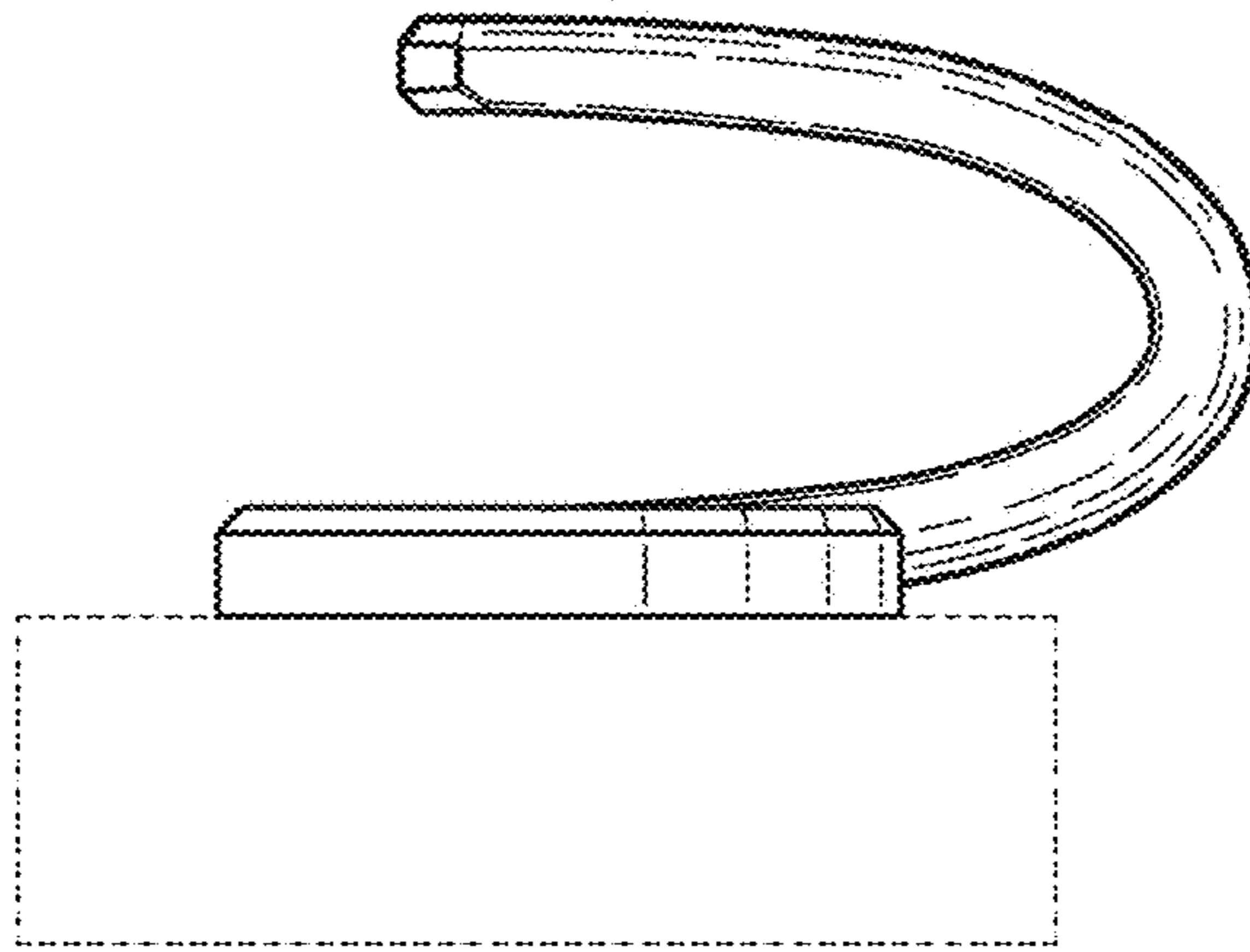


FIG. 5

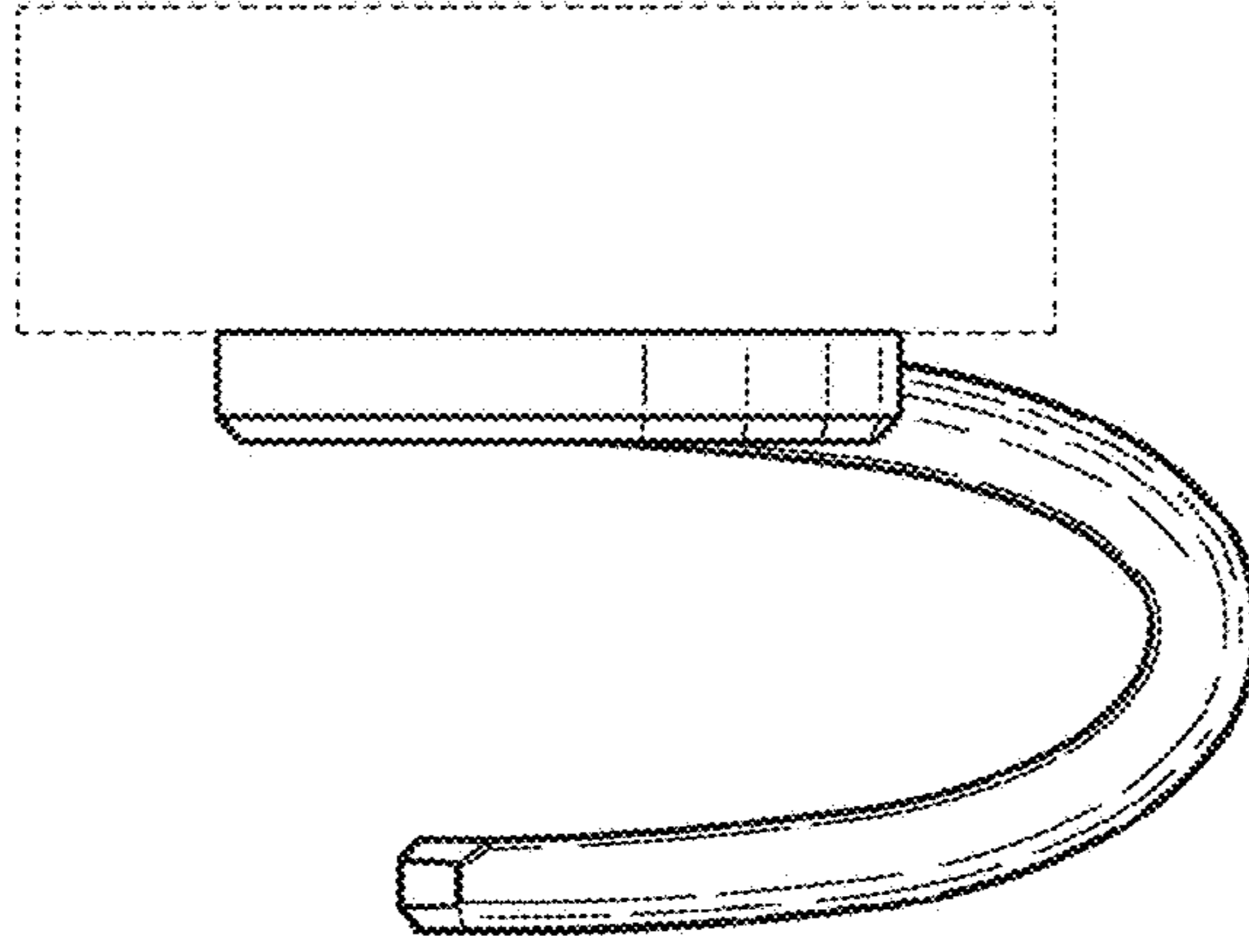


FIG. 6