



US00D808779S

(12) **United States Design Patent**
Shoenhair et al.

(10) **Patent No.:** **US D808,779 S**
(45) **Date of Patent:** **** Jan. 30, 2018**

- (54) **FASHION HOOK**
- (71) Applicant: **THE HILLMAN GROUP, INC.,**
Cincinnati, OH (US)
- (72) Inventors: **Jordan D. Shoenhair**, Tempe, AZ
(US); **Amy L. Miller-Blase**, Cincinnati,
OH (US)
- (73) Assignee: **THE HILLMAN GROUP, INC.,**
Cincinnati, OH (US)
- (**) Term: **15 Years**
- (21) Appl. No.: **29/576,433**
- (22) Filed: **Sep. 2, 2016**
- (51) **LOC (11) Cl.** **08-05**
- (52) **U.S. Cl.**
USPC **D8/367**
- (58) **Field of Classification Search**
USPC D8/367, 354, 349, 394
CPC F16L 3/13; F16L 3/26; A47G 23/0225;
A47G 25/06; A47G 1/16; A47F 5/0846;
A47F 5/02; H02G 11/003; D06F 55/00;
E04H 17/10
See application file for complete search history.

- 5,372,346 A * 12/1994 Upchurch F16B 21/04
248/222.52
- D361,930 S * 9/1995 Fillipp D8/367
- D390,014 S * 2/1998 Ho D6/323
- D390,709 S 2/1998 Moore
- D393,412 S * 4/1998 Bries D8/367

(Continued)

Primary Examiner — Cynthia Underwood
(74) *Attorney, Agent, or Firm* — Thompson Hine L.L.P.

(57) **CLAIM**

The ornamental design for a fashion hook, as shown and described.

DESCRIPTION

FIG. 1 is a perspective view of a fashion hook showing one embodiment of our new design;
 FIG. 2 is front elevation thereof;
 FIG. 3 is a top view thereof;
 FIG. 4 is a bottom view thereof;
 FIG. 5 is one side view thereof;
 FIG. 6 is another side view thereof;
 FIG. 7 is a perspective view of a fashion hook showing another embodiment of our new design;
 FIG. 8 is front elevation thereof;
 FIG. 9 is a top view thereof;
 FIG. 10 is a bottom view thereof;
 FIG. 11 is one side view thereof;
 FIG. 12 is another side view thereof;
 FIG. 13 is a perspective view of a fashion hook showing another embodiment of our new design;
 FIG. 14 is front elevation thereof;
 FIG. 15 is a top view thereof;
 FIG. 16 is a bottom view thereof;
 FIG. 17 is one side view thereof; and,
 FIG. 18 is another side view thereof.

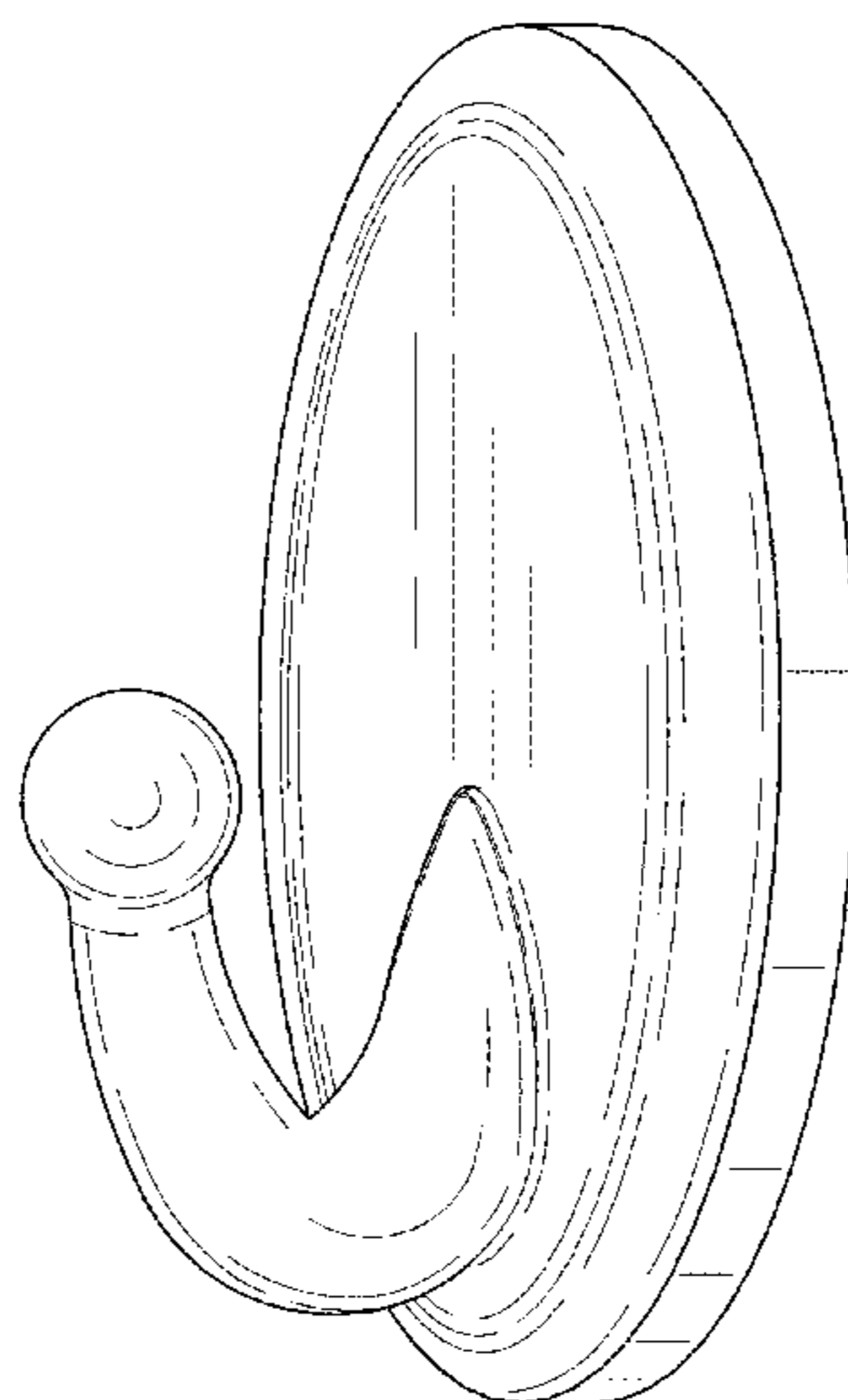
The rear portion of the embodiments of the fashion hook are not visible during ordinary use and form no part of the claimed design.

(56) **References Cited**

U.S. PATENT DOCUMENTS

- D241,206 S * 8/1976 Halsted D6/323
- D289,139 S * 4/1987 Chasen D6/323
- D289,255 S * 4/1987 Chasen D6/323
- D307,539 S * 5/1990 Goodman D8/367
- D312,384 S * 11/1990 Hamann 248/301
- D312,385 S * 11/1990 Hamann D8/367
- D312,959 S * 12/1990 Hamann 248/220.43
- D325,131 S 4/1992 Fujiwara
- D330,289 S 10/1992 Sharpe
- D330,636 S 11/1992 Sharpe
- D339,058 S * 9/1993 Greenhut D8/367
- D353,492 S * 12/1994 Goodman D6/323

1 Claim, 9 Drawing Sheets



(56)

References Cited

U.S. PATENT DOCUMENTS

D397,256 S 8/1998 Moore et al.
 D398,451 S 9/1998 Sharpe
 D416,139 S 11/1999 Roth et al.
 D417,385 S * 12/1999 Bries D8/367
 D426,390 S 6/2000 Green et al.
 D428,802 S * 8/2000 Villano D20/43
 D431,451 S * 10/2000 Kuo D8/367
 D432,316 S 10/2000 Duggan
 D435,971 S 1/2001 Solowiej
 D435,972 S 1/2001 Moore
 D436,452 S 1/2001 Gastelum et al.
 D438,715 S 3/2001 Milrud et al.
 D442,056 S 5/2001 Duggan
 D453,271 S 2/2002 Gilbert et al.
 D456,150 S 4/2002 Moore
 D462,844 S 9/2002 Chou
 D465,096 S 11/2002 Ouyoung
 D465,340 S 11/2002 Hoernig
 D465,661 S 11/2002 Hoernig
 D472,060 S 3/2003 Hoernig
 D477,150 S 7/2003 Hoernig
 D478,731 S 8/2003 Hoernig
 D480,292 S * 10/2003 Johansson D8/367
 D485,156 S 1/2004 Moore
 D494,452 S * 8/2004 Sheldon D8/367
 D496,258 S 9/2004 Fields
 D500,602 S 1/2005 Solowiej
 D505,545 S * 5/2005 Kay D3/228
 D526,132 S 8/2006 Solowiej
 D526,493 S 8/2006 Fields
 D526,494 S 8/2006 Fields
 D532,982 S 12/2006 Chang et al.
 D535,110 S 1/2007 Hoernig
 D542,038 S 5/2007 Tau
 D543,709 S 6/2007 Krumpe et al.
 D543,837 S * 6/2007 Newbould D8/367
 D548,983 S 8/2007 Krumpe
 D554,481 S * 11/2007 Newbould D8/367
 D554,482 S * 11/2007 Hager D8/367
 D558,034 S * 12/2007 Ernst D8/372
 D563,109 S 3/2008 Krumpe et al.
 D565,939 S * 4/2008 Newbould D8/367
 D568,621 S 5/2008 Krumpe et al.
 D570,613 S 6/2008 Ricereto
 D573,357 S 7/2008 Bickler et al.
 D578,779 S 10/2008 Lee et al.
 D579,322 S * 10/2008 Newbould D8/367

D580,186 S 11/2008 Krumpe et al.
 D583,653 S * 12/2008 Thompson D8/367
 D591,143 S * 4/2009 Ernst D8/370
 D603,688 S * 11/2009 Chiu D8/367
 D607,650 S 1/2010 Krumpe
 D608,100 S 1/2010 Yoo
 D609,995 S * 2/2010 Hager D8/367
 7,789,248 B1 * 9/2010 Salerno A47G 25/08
 211/106.01
 D627,995 S * 11/2010 Osterle D6/716
 D630,027 S 1/2011 Romero
 D632,951 S * 2/2011 McGreevy D8/367
 D641,228 S * 7/2011 Qiblawi D8/367
 D641,229 S * 7/2011 Qiblawi D8/367
 7,972,100 B2 * 7/2011 Horvath F16B 13/002
 248/304
 8,002,225 B1 * 8/2011 Malone A47B 81/00
 211/118
 D665,653 S * 8/2012 Thompson D8/367
 D668,935 S 10/2012 Yoo
 D670,997 S * 11/2012 Thompson D8/367
 D672,974 S 12/2012 Krumpe
 D678,041 S * 3/2013 Pan D8/367
 D680,804 S * 4/2013 Gilboe D7/367
 D692,244 S 10/2013 Romero et al.
 D697,387 S * 1/2014 Starck D8/367
 D697,388 S * 1/2014 Pan D8/367
 D697,389 S * 1/2014 Pan D8/367
 D715,133 S * 10/2014 Pan D8/367
 D715,625 S * 10/2014 Pan D8/367
 D715,626 S * 10/2014 Pan D8/367
 D720,937 S 1/2015 Fritz
 D734,133 S * 7/2015 Spindler F21V 21/0808
 D8/367
 D746,664 S * 1/2016 Najieb D23/411
 D750,390 S 3/2016 Bahler
 D751,371 S * 3/2016 Pan D8/372
 D751,372 S * 3/2016 Thompson D8/372
 D756,205 S * 5/2016 New D8/367
 D756,755 S * 5/2016 Kuehn D8/367
 D756,756 S * 5/2016 Kuehn D8/367
 D759,469 S * 6/2016 Garland D8/367
 D760,068 S * 6/2016 Sehl D8/367
 D762,108 S * 7/2016 Knight D8/372
 D764,901 S * 8/2016 Esparza D8/367
 D769,004 S 10/2016 Bahler
 D781,683 S * 3/2017 Yi D8/354
 2006/0022105 A1 * 2/2006 MacKay F16B 45/00
 248/304

* cited by examiner

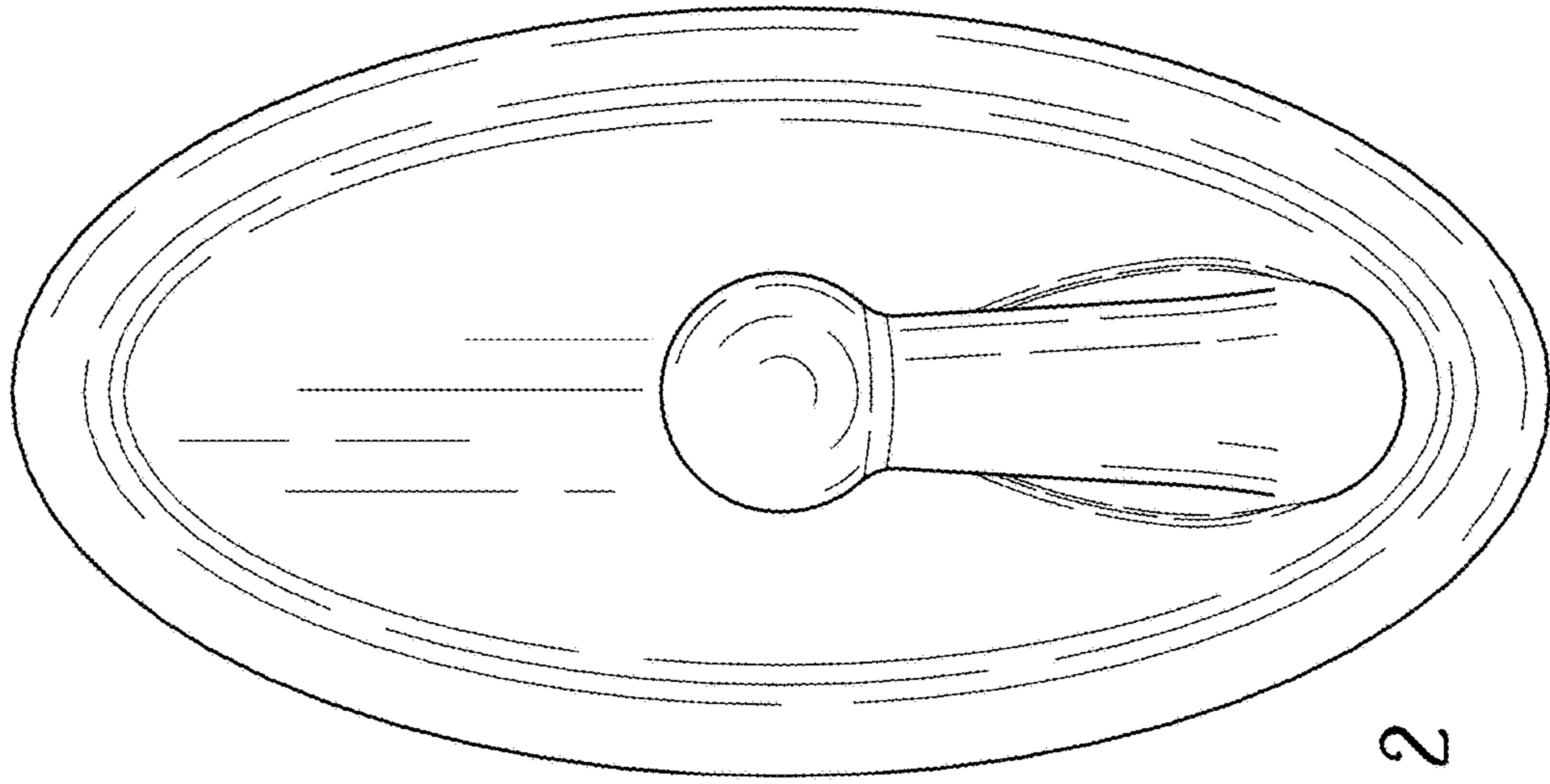


Fig. 2

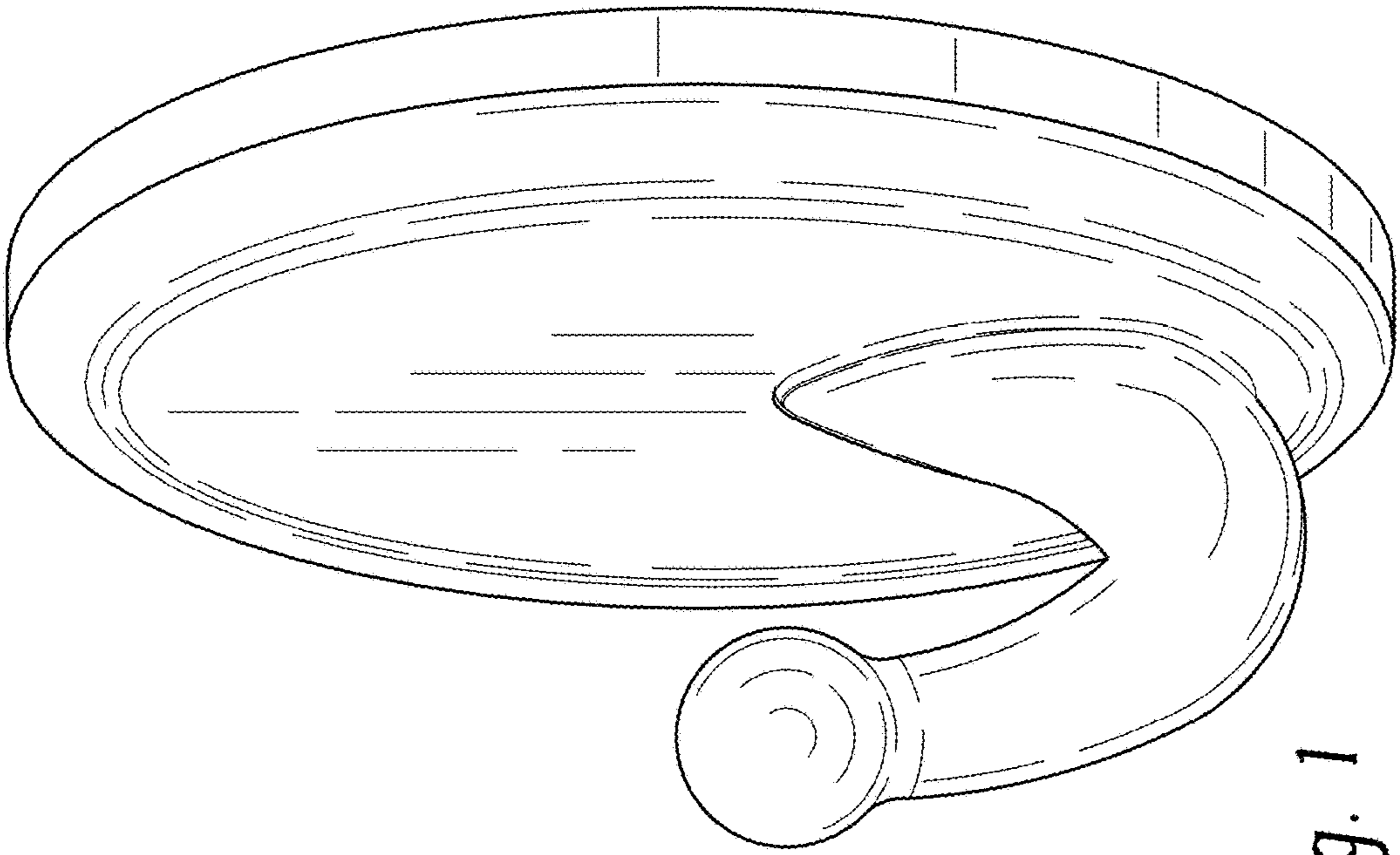


Fig. 1

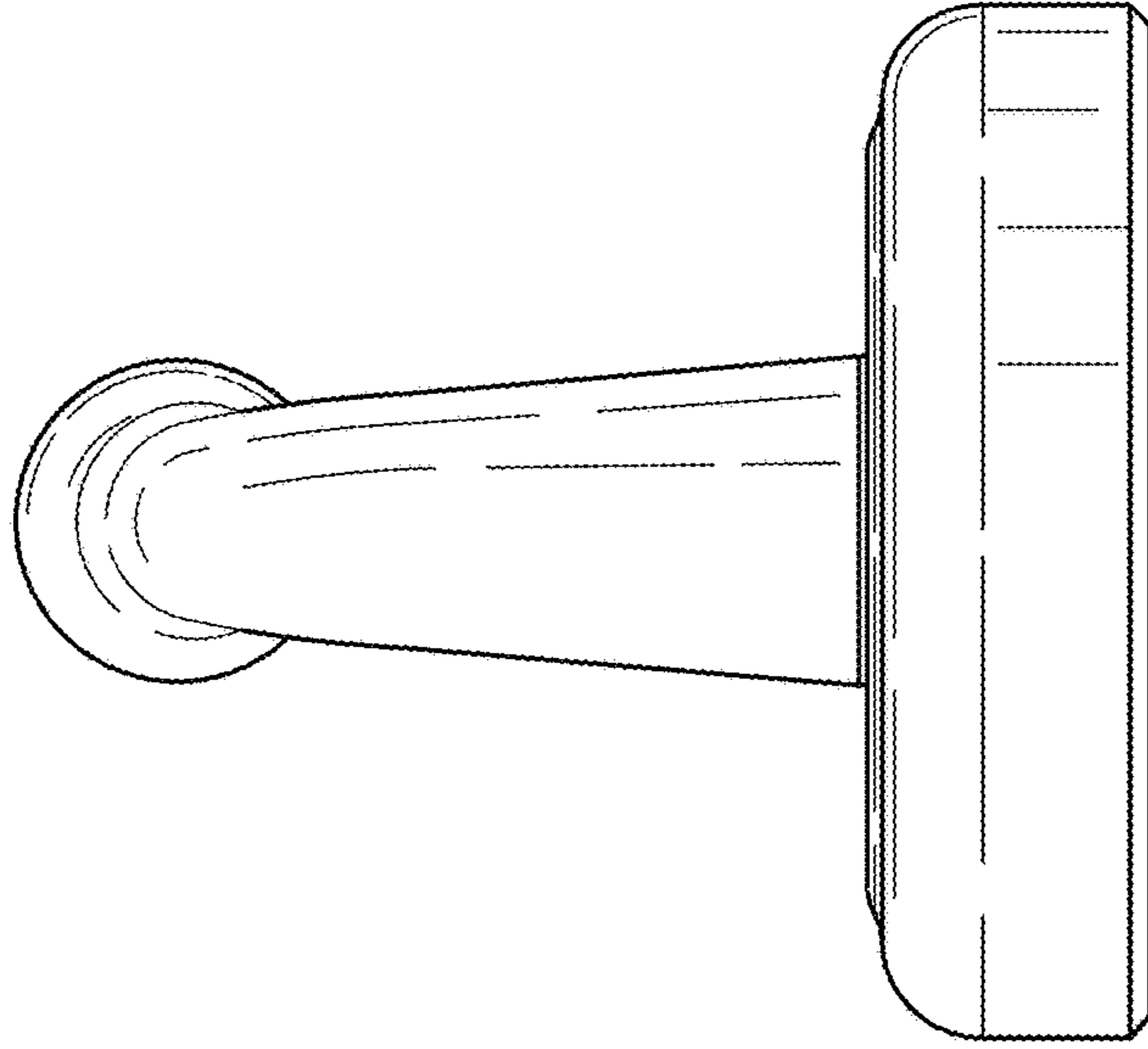


Fig. 4

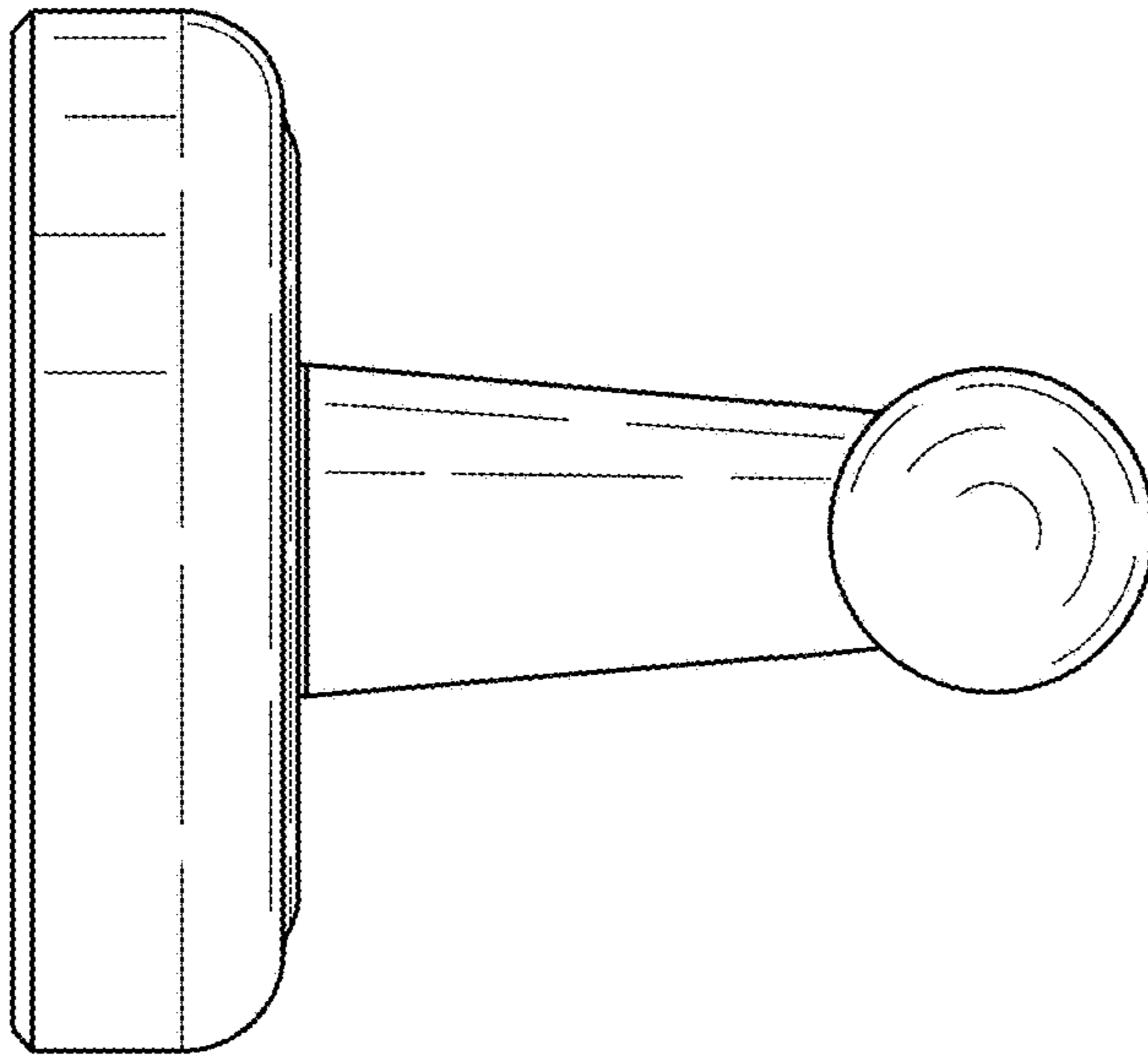


Fig. 3

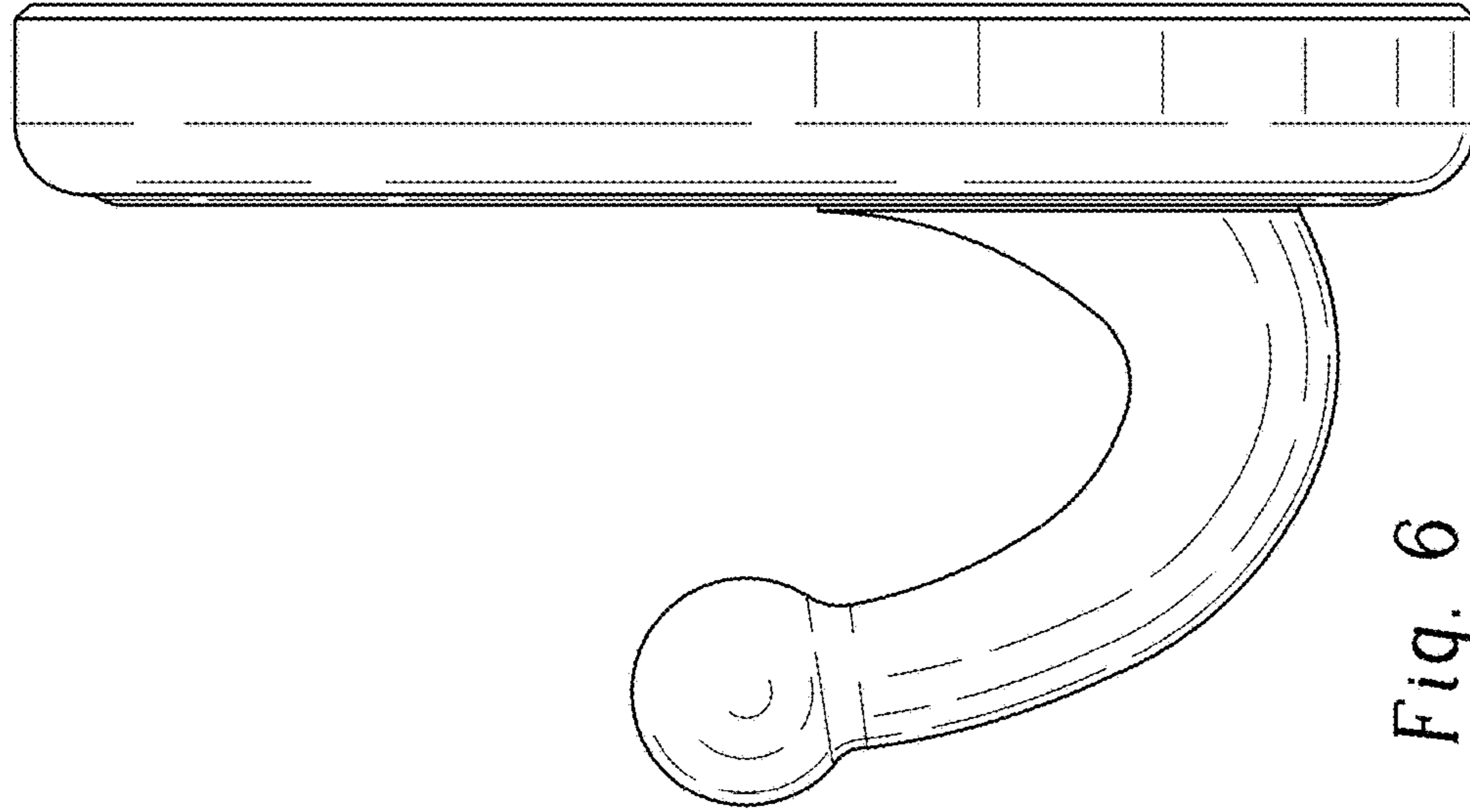


Fig. 6

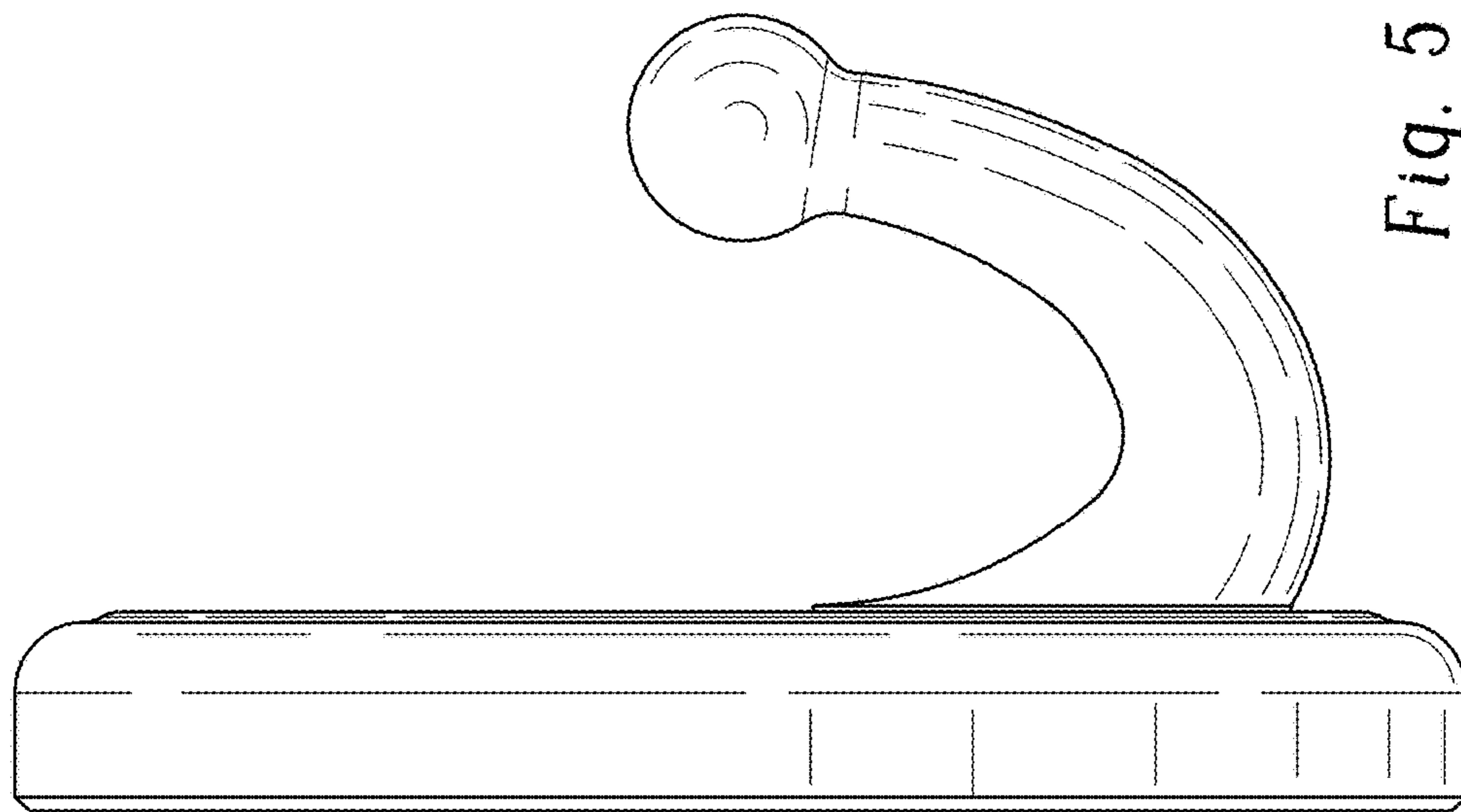


Fig. 5

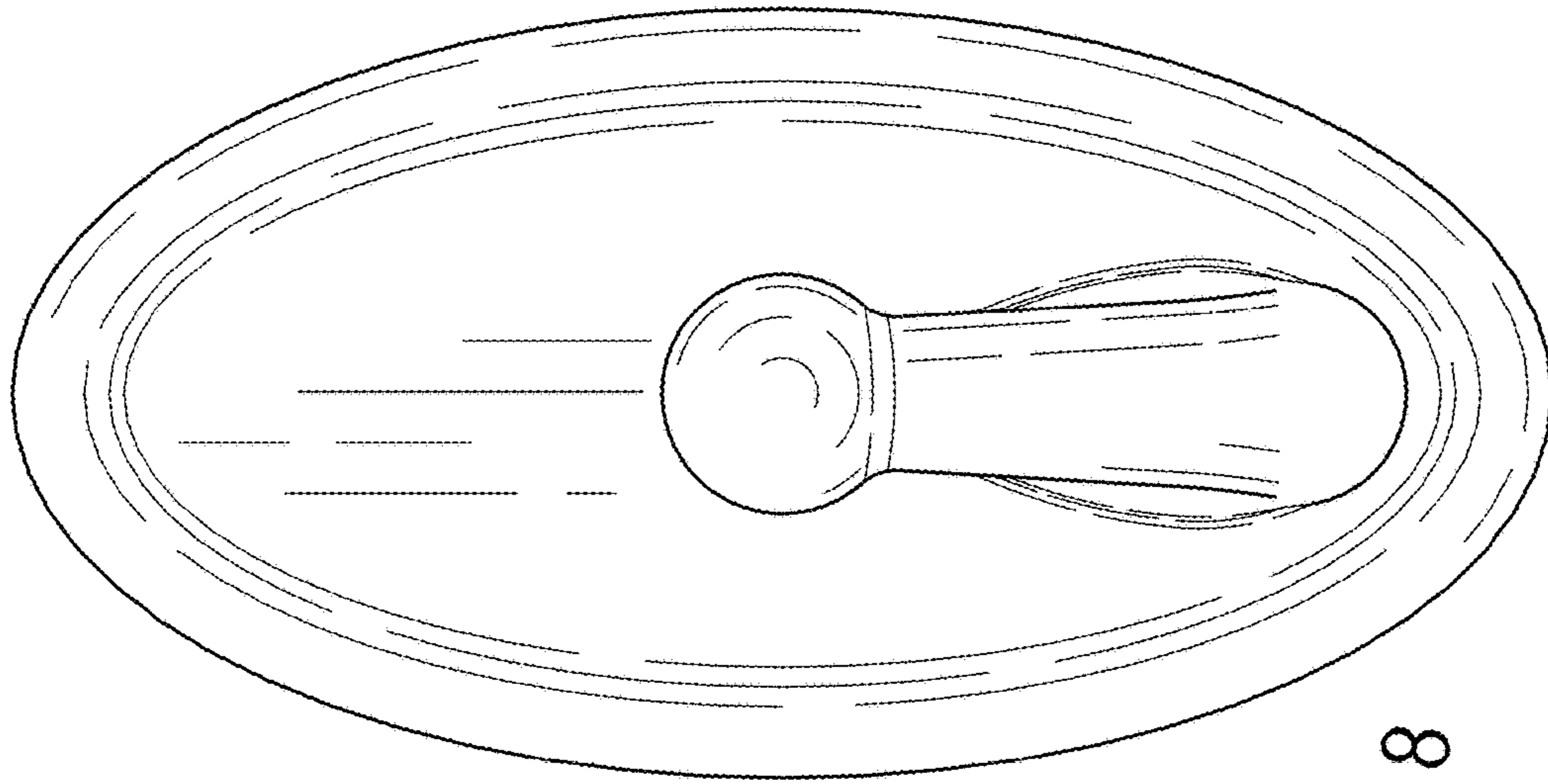


Fig. 8

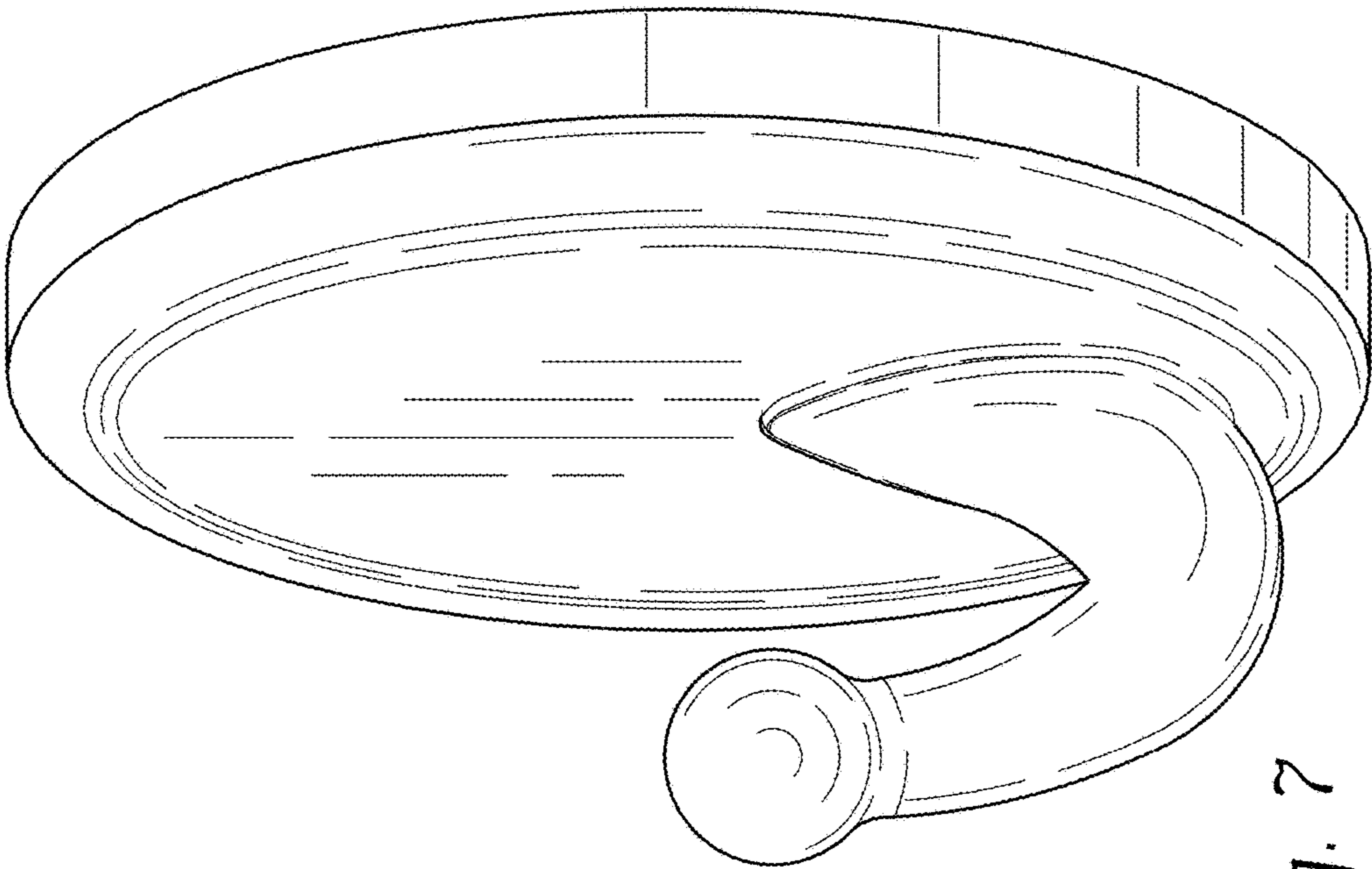


Fig. 7

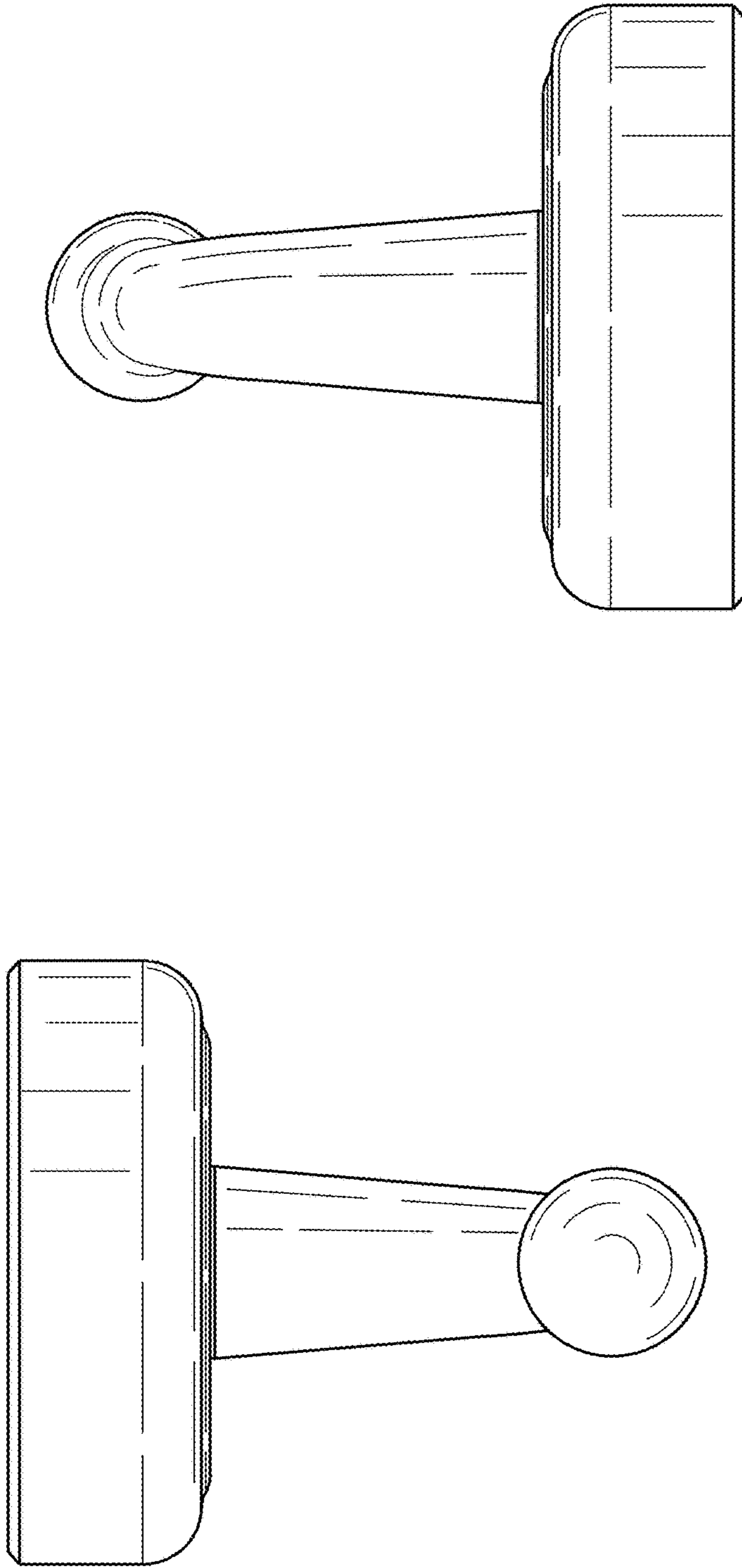


Fig. 10

Fig. 9

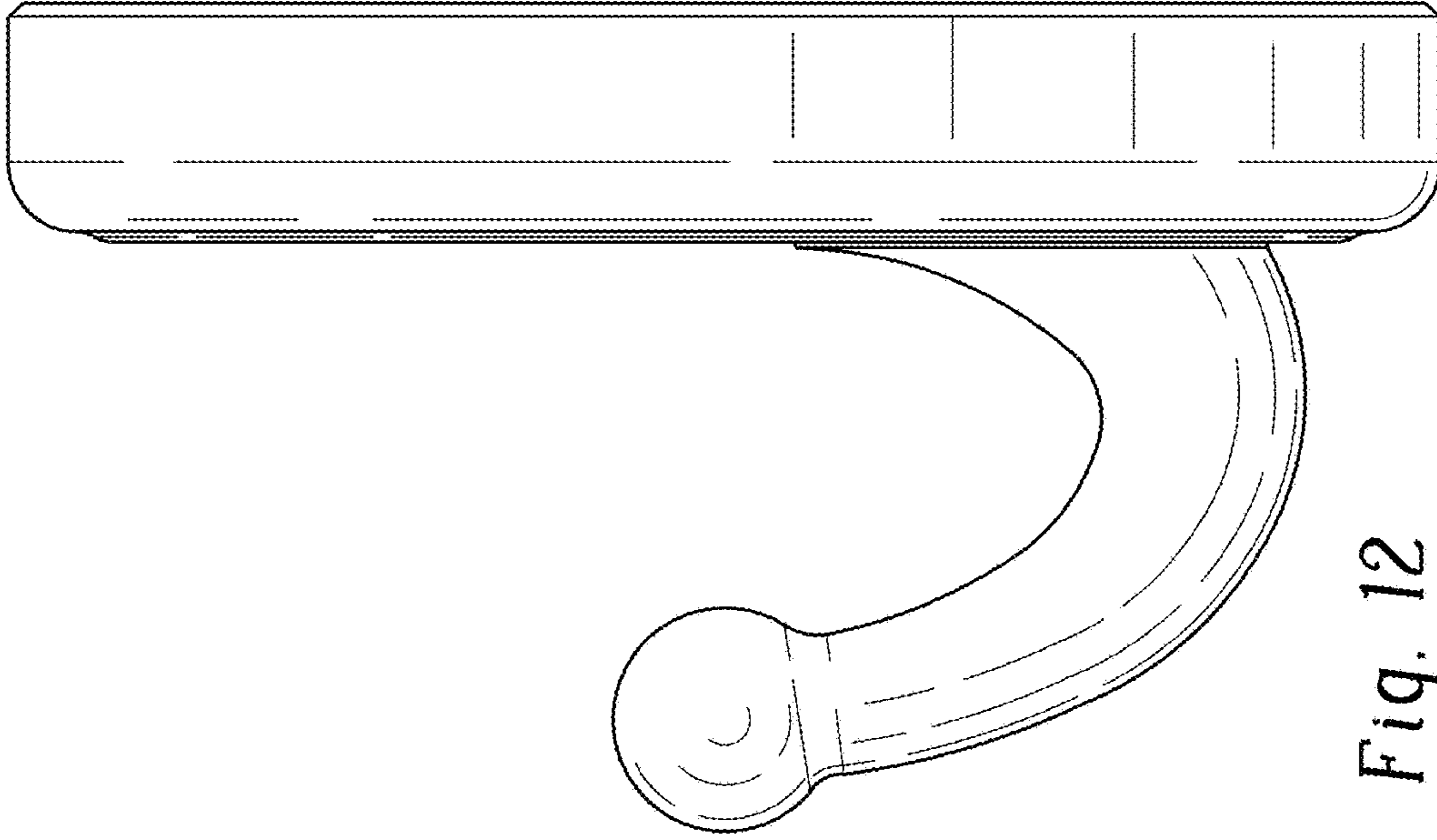


Fig. 11

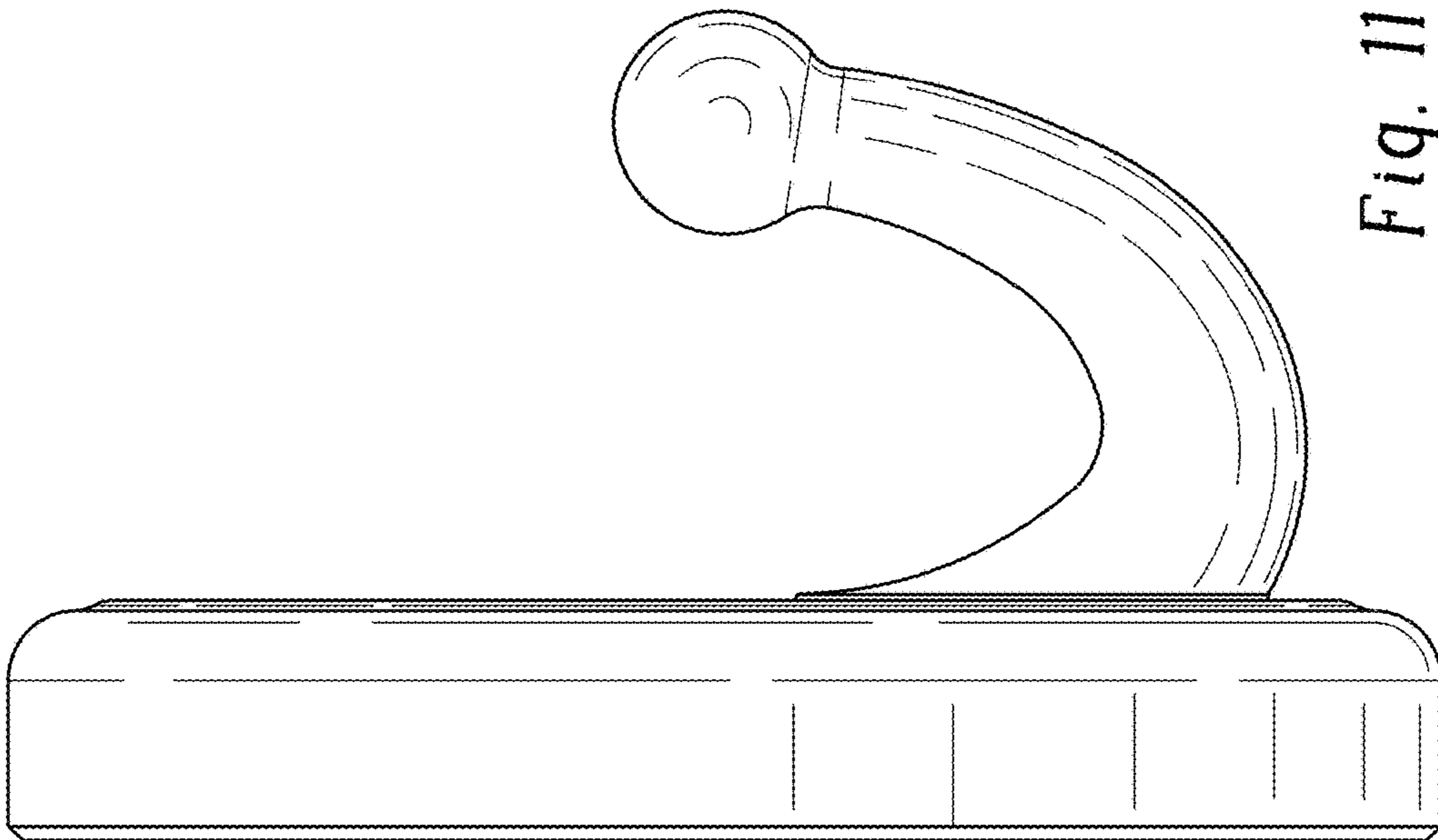


Fig. 12

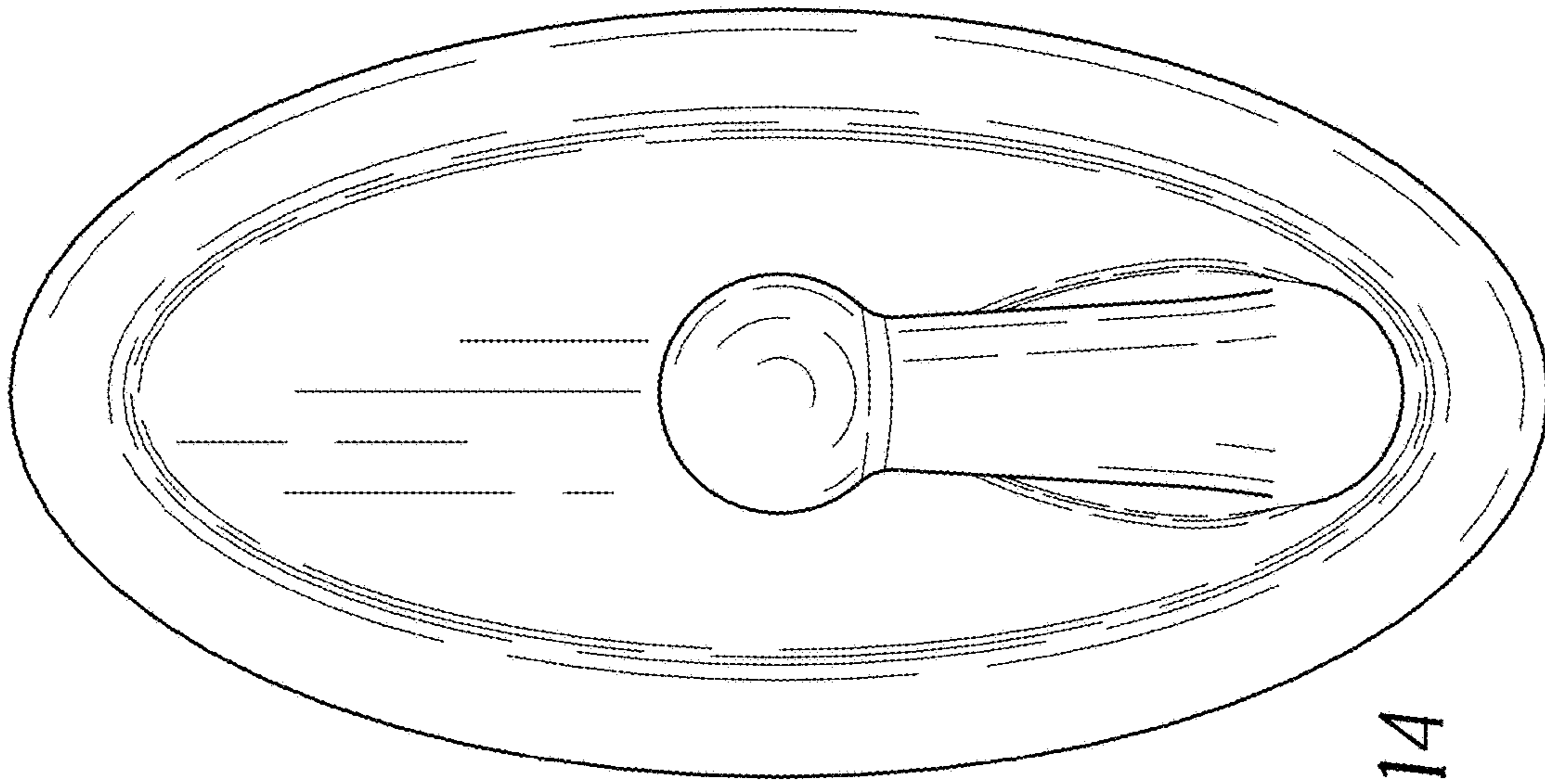


Fig. 14

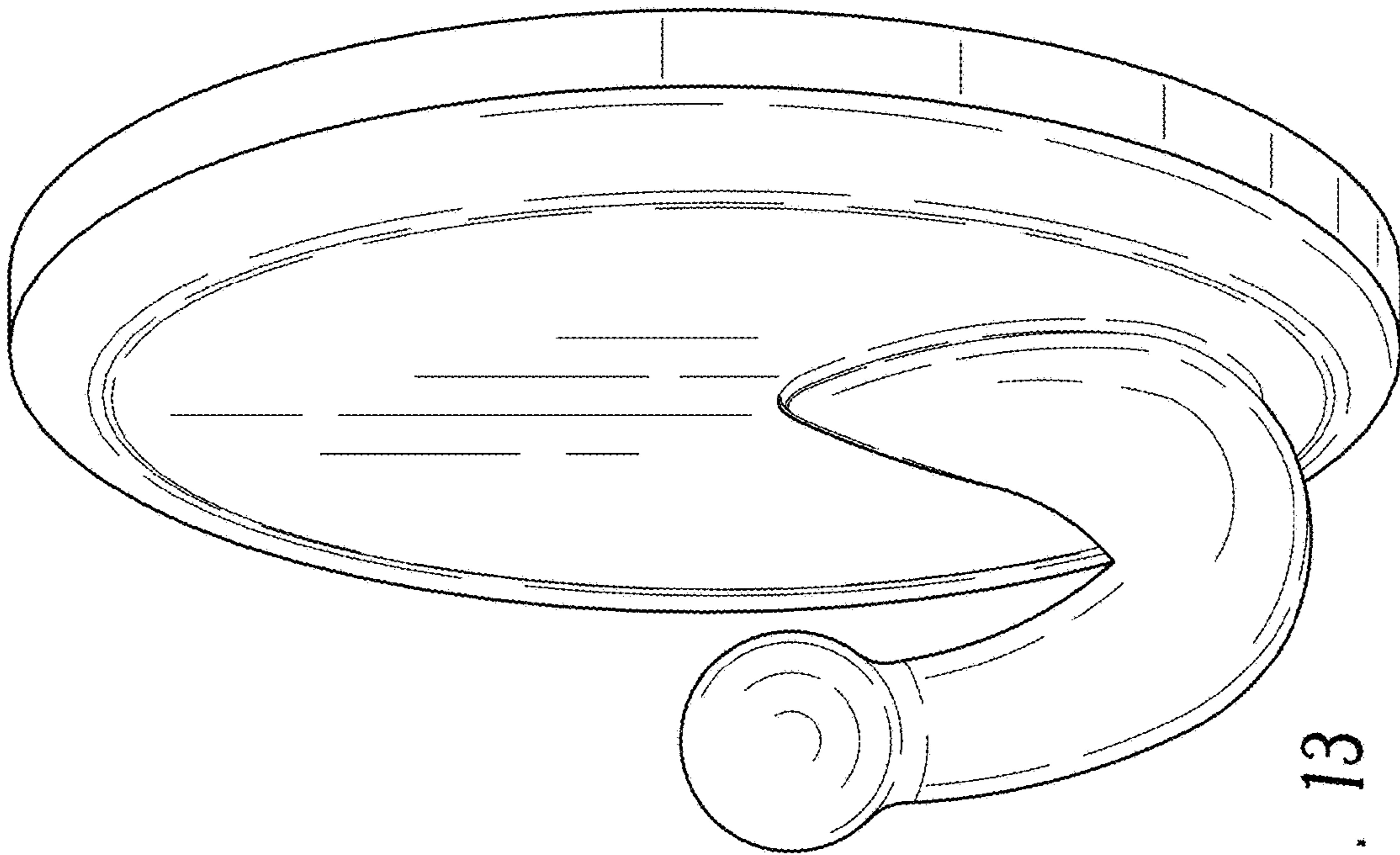


Fig. 13

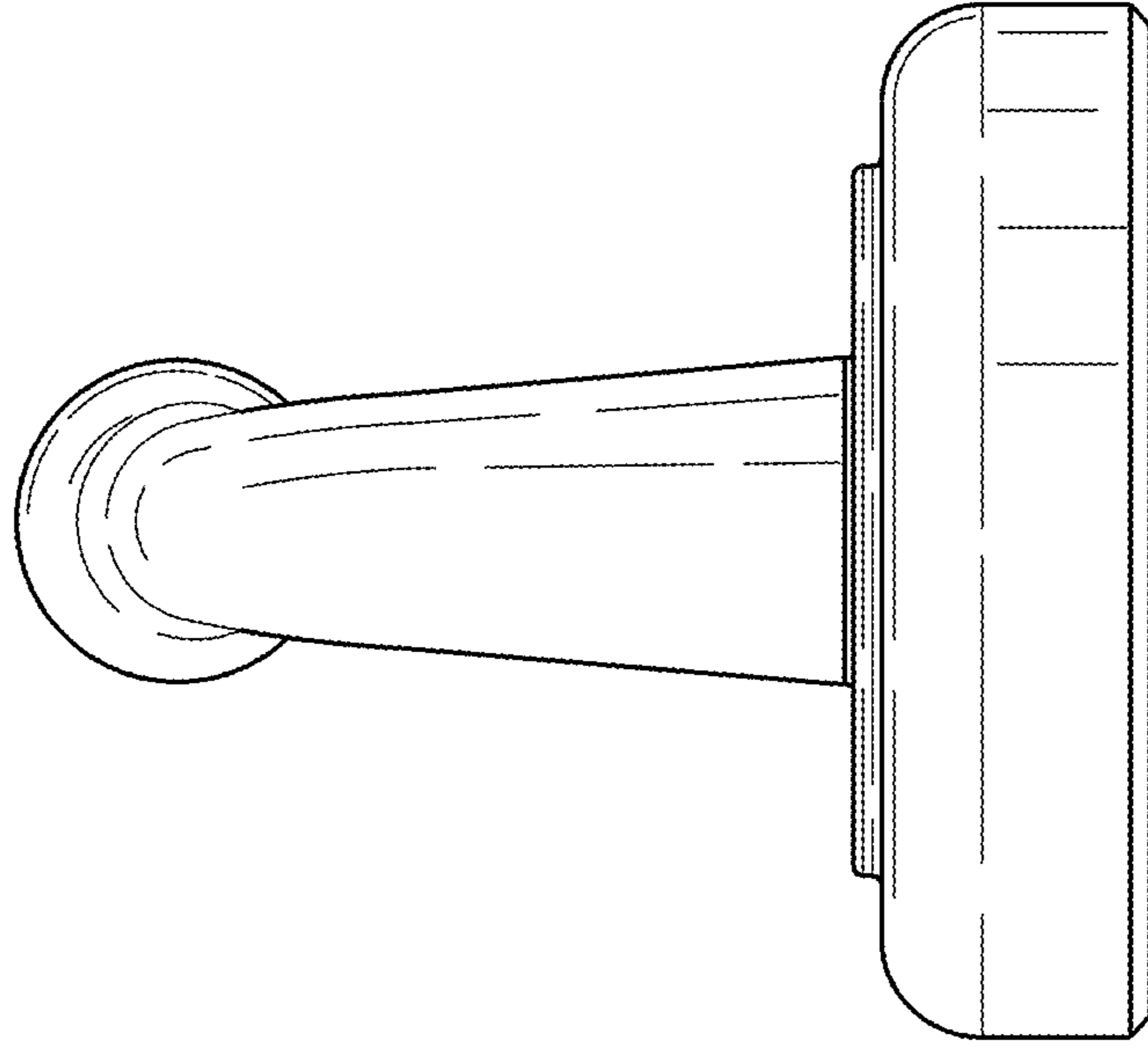


Fig. 15

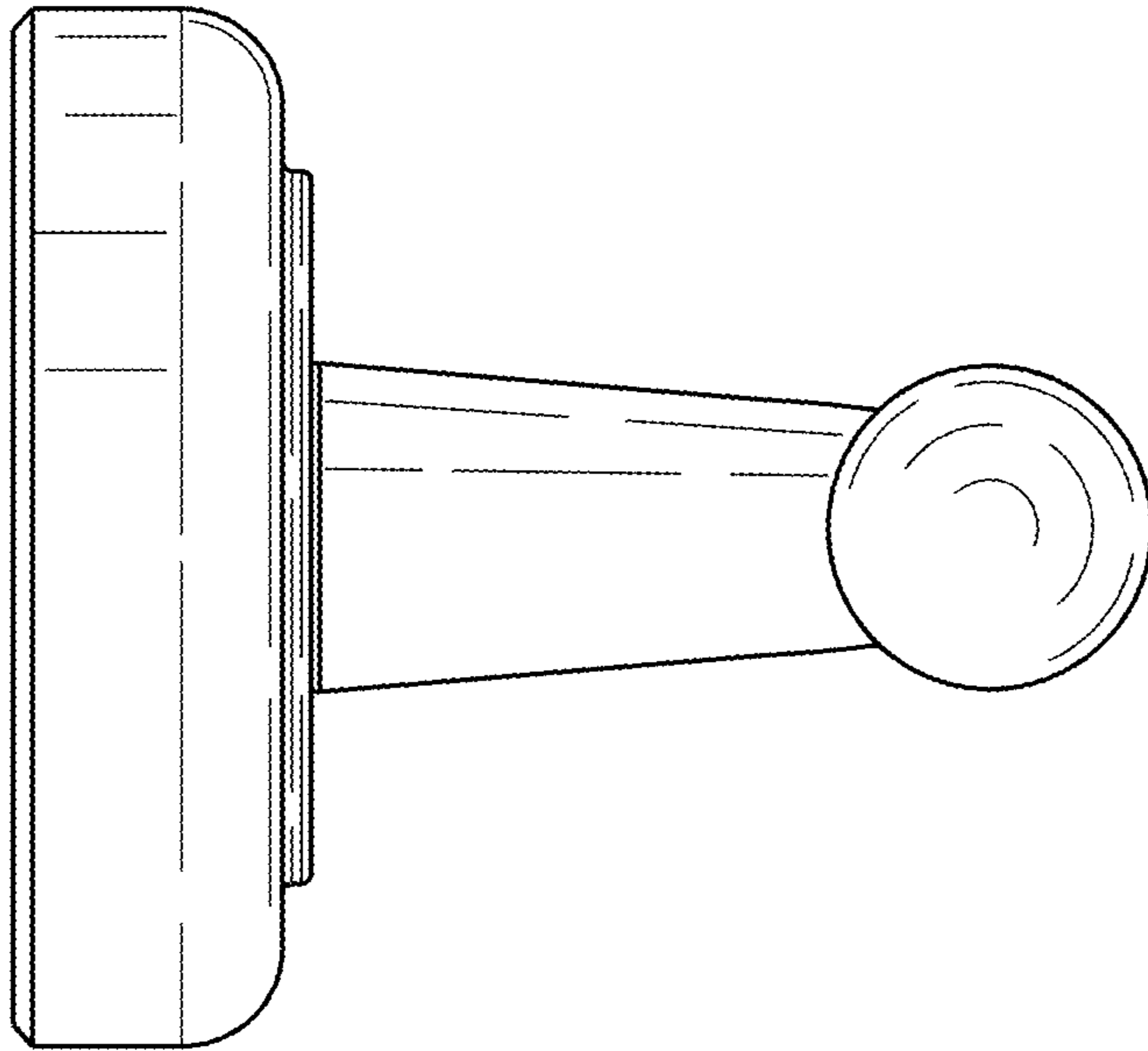


Fig. 16

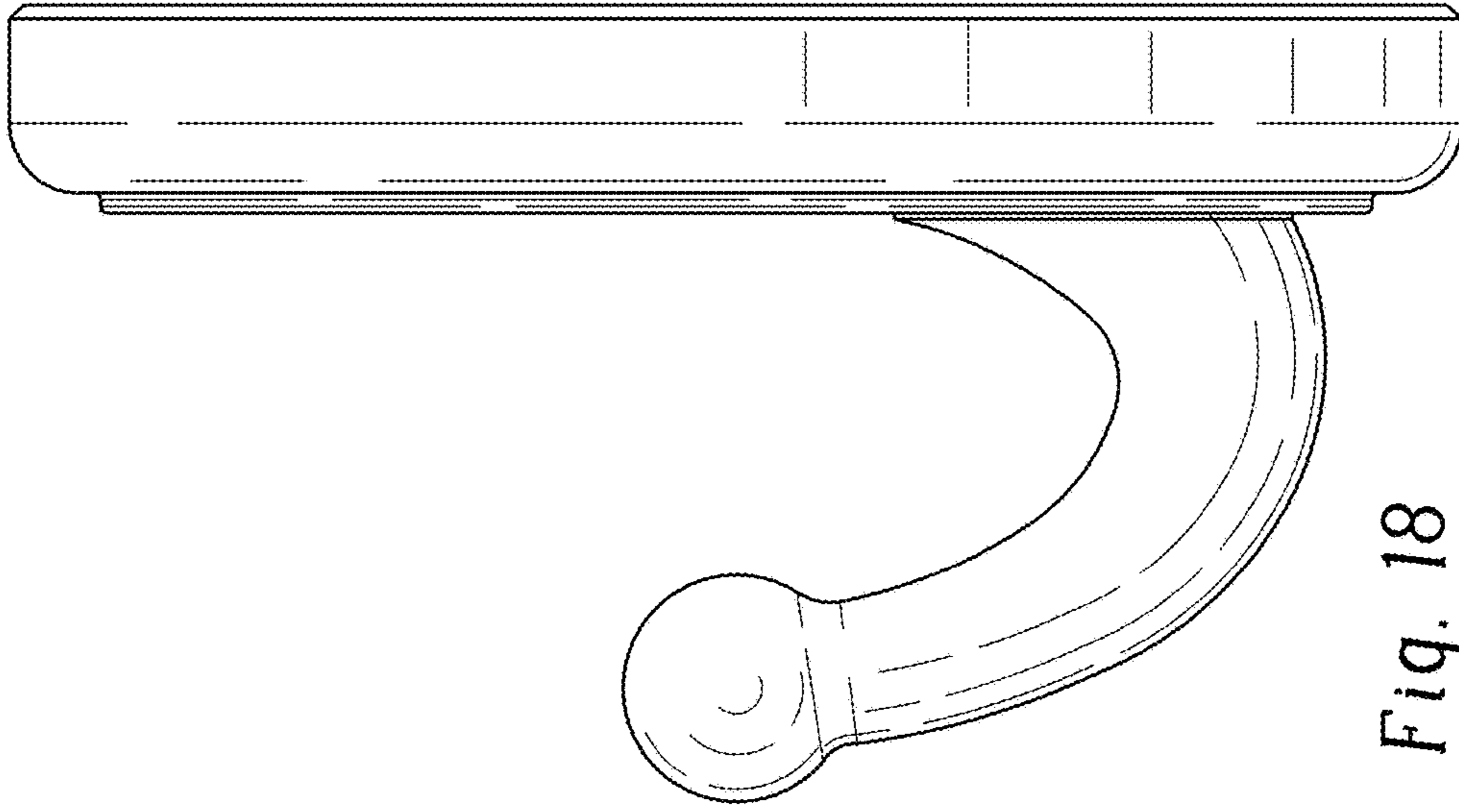


Fig. 18

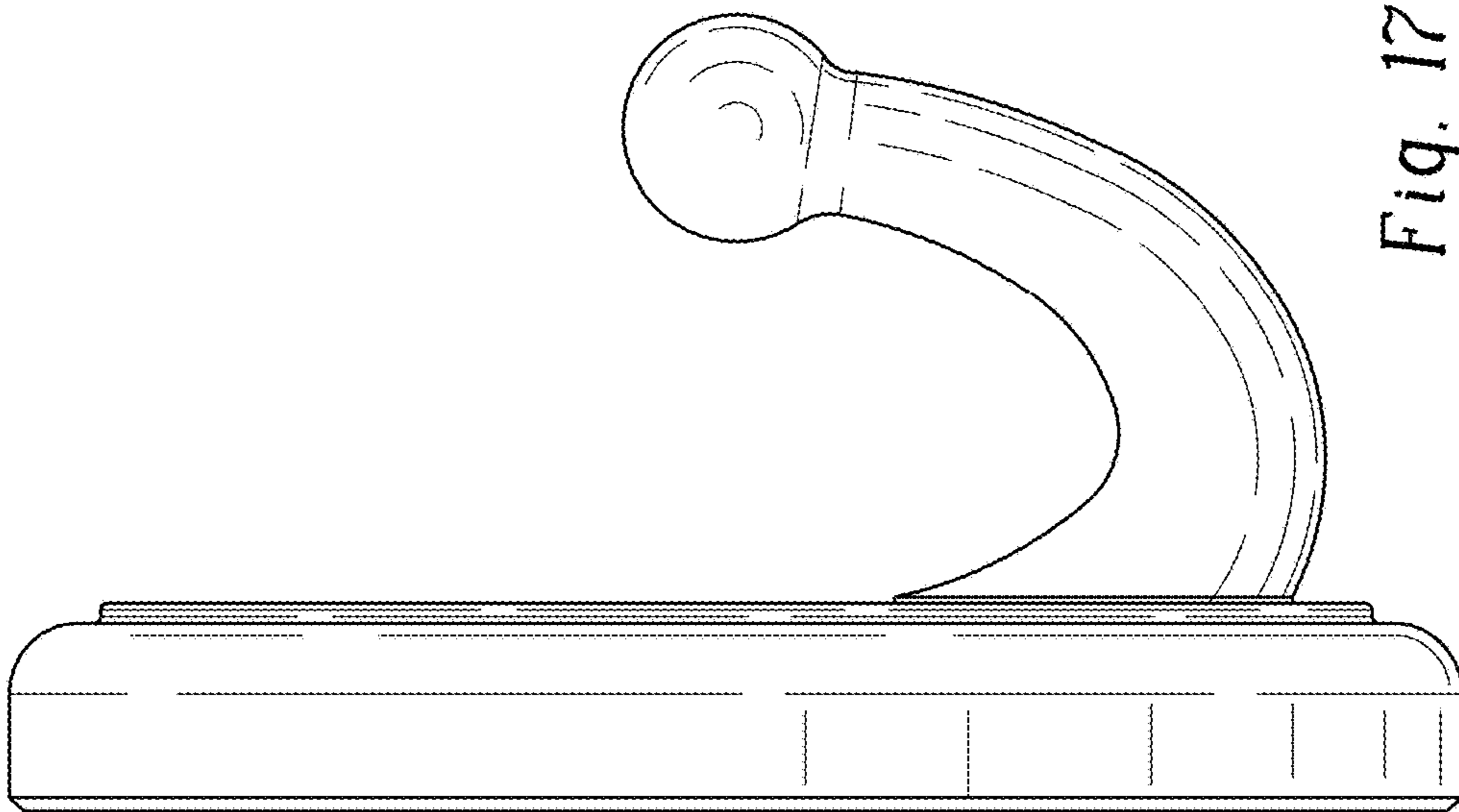


Fig. 17