



US00D808778S

(12) **United States Design Patent** (10) **Patent No.:** **US D808,778 S**
Smeja (45) **Date of Patent:** **** Jan. 30, 2018**

- (54) **MULTI-CABLE MANAGER** 4,901,938 A 2/1990 Cantley
D330,193 S 10/1992 Zorndorf
- (71) Applicant: **Limitless Innovations, Inc.**, McHenry, IL (US) 5,162,719 A 11/1992 Tomura et al.
5,200,685 A 4/1993 Sakamoto
5,466,886 A 11/1995 Lengyel et al.
- (72) Inventor: **Michael V. Smeja**, Inverness, IL (US) 5,489,010 A 2/1996 Rogers
5,669,571 A 9/1997 Graybill
- (73) Assignee: **Limitless Innovations, Inc.**, Hampshire, IL (US) 5,690,198 A 11/1997 Lohr
5,762,281 A 6/1998 Foley
(Continued)

(**) Term: **15 Years**

FOREIGN PATENT DOCUMENTS

- (21) Appl. No.: **29/606,101** CN 203896023 U 10/2014
CN 203974704 U 12/2014

(22) Filed: **Jun. 1, 2017**

OTHER PUBLICATIONS

Related U.S. Application Data

- (63) Continuation of application No. 29/564,714, filed on May 15, 2016, now abandoned, which is a continuation of application No. 14/591,818, filed on Jan. 7, 2015.

GlobalSources web page [online]; [retrieved on Apr. 16, 2012]; retrieved from the Internet: URL: <upo.manufacturer.globalsources.com/...gelmage/Auto-retractable-Cat.5-6/[product_id-1008675099/action-GetProduct.htm]>.

(Continued)

(51) **LOC (11) Cl.** **08-05**

(52) **U.S. Cl.**
USPC **D8/356**; D13/155

(58) **Field of Classification Search**
USPC D8/356, 354, 349; D13/155; 320/107
CPC H02J 7/0026; H02J 7/0021; H02J 7/0027;
Y02E 60/12

See application file for complete search history.

Primary Examiner — Cynthia Underwood

(74) *Attorney, Agent, or Firm* — Reed Smith LLP

(57) **CLAIM**

The ornamental design for the multi-cable manager, as shown and described.

DESCRIPTION

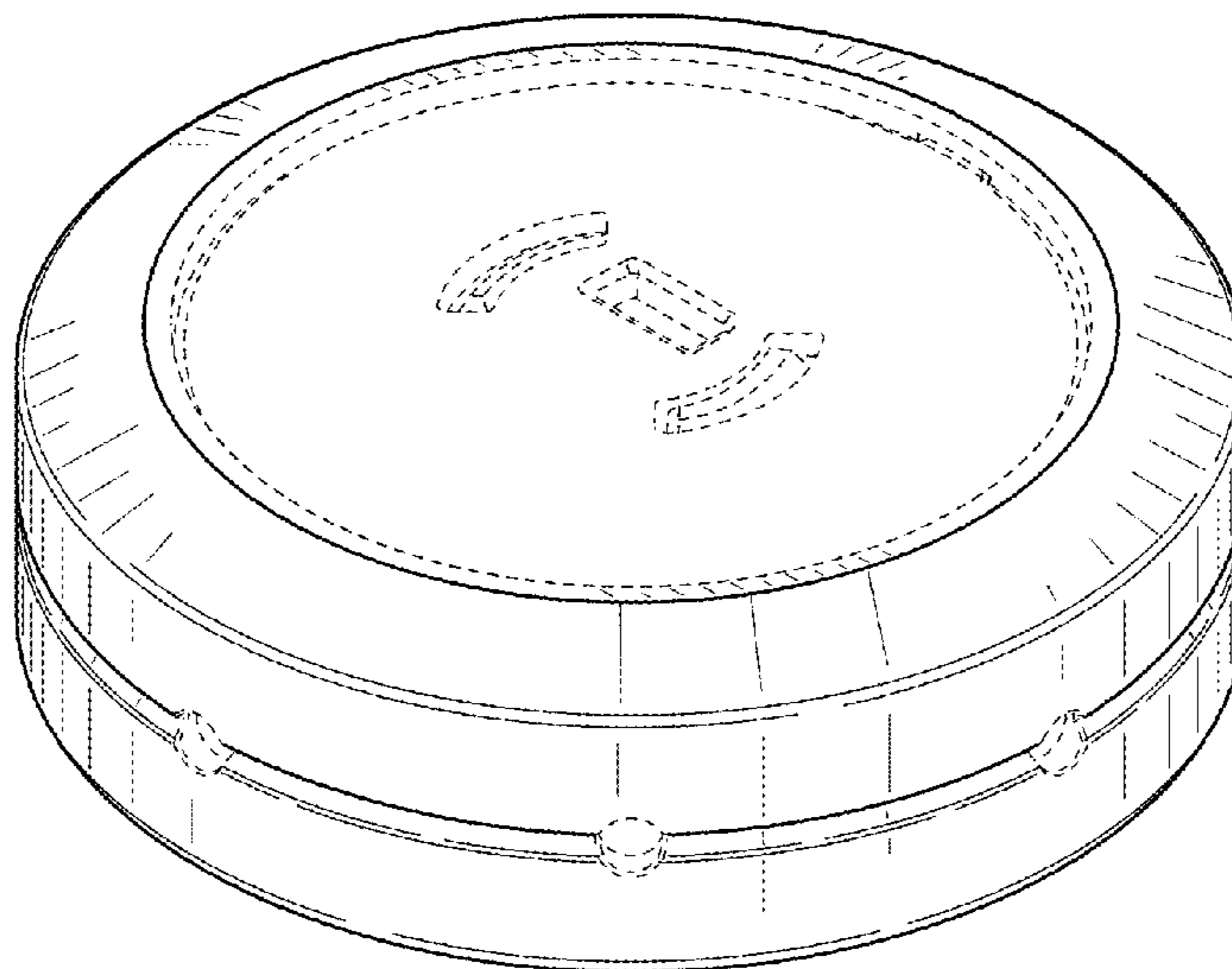
(56) **References Cited**

U.S. PATENT DOCUMENTS

- D92,530 S 6/1934 Frank
- 3,062,475 A * 11/1962 Miller, Jr. A01K 97/06
242/404.3
- D229,668 S 12/1973 Boone
- 3,809,331 A 5/1974 Gaul
- 4,150,798 A * 4/1979 Aragon H02G 11/02
191/12.2 R
- 4,390,142 A * 6/1983 Cheng H02G 11/02
242/388.1

FIG. 1 is a top perspective view of the multi-cable manager according to an embodiment of the present invention; FIG. 2 is a first side view thereof; FIG. 3 is a second side view thereof; FIG. 4 is a third side view thereof; FIG. 5 is a top plan view thereof; and, FIG. 6 is a bottom plan view thereof. The broken lines in the drawings illustrate the portions of the design that form no part of the claim.

1 Claim, 3 Drawing Sheets



(56)

References Cited

U.S. PATENT DOCUMENTS

5,853,136 A 12/1998 Lai
 5,873,540 A * 2/1999 Hardin B65H 75/143
 206/406
 6,048,211 A 4/2000 Liaom
 6,065,708 A 5/2000 Matsubara
 6,099,340 A 8/2000 Florentine
 6,234,418 B1 * 5/2001 Donaldson B65H 75/28
 191/12.2 R
 6,331,121 B1 12/2001 Raeford
 6,378,797 B1 4/2002 Liao
 6,702,077 B2 3/2004 Skowronski
 6,713,674 B2 3/2004 Chang
 6,736,669 B1 5/2004 Martin et al.
 6,966,791 B1 * 11/2005 Farr B65H 75/406
 206/303
 7,077,693 B1 * 7/2006 Symons H01R 13/72
 191/12.4
 7,168,967 B1 1/2007 Yen
 D539,117 S * 3/2007 Sealey D8/349
 D542,123 S * 5/2007 Symons D8/356
 D549,091 S 8/2007 McIntyre et al.
 D554,017 S * 10/2007 Hampton D10/119.1
 7,399,199 B2 * 7/2008 Symons H01R 13/72
 439/242
 7,464,893 B2 12/2008 Spjet
 D591,678 S * 5/2009 Whitley D13/133
 D597,963 S 8/2009 Mulch et al.
 D598,480 S * 8/2009 Kanemitsu D15/148
 7,649,279 B2 1/2010 Lanni
 7,654,484 B2 * 2/2010 Mogensen A61M 5/1418
 242/402
 7,686,830 B2 * 3/2010 Collier A61B 17/0401
 24/115 N
 7,863,770 B2 1/2011 Lanni

D631,730 S * 2/2011 Skillman B65H 75/143
 D8/356
 7,901,241 B1 3/2011 Larkin
 D644,306 S * 8/2011 Douglass, III D23/269
 D645,334 S * 9/2011 Kanemitsu D8/360
 D648,685 S 11/2011 Symons
 D685,771 S * 7/2013 Bertenthal D14/223
 8,474,105 B2 * 7/2013 Naquin B63B 21/20
 24/115 R
 D706,225 S 6/2014 deLoache et al.
 D716,640 S * 11/2014 Martinson D8/356
 D716,817 S 11/2014 Yang
 D721,335 S 1/2015 Smeja
 D722,621 S * 2/2015 Gray D15/28
 D734,801 S 7/2015 Yang
 D735,020 S * 7/2015 Bradford D8/356
 9,187,291 B2 * 11/2015 Alexandre B65H 75/34
 D746,783 S 1/2016 Smeja
 D748,455 S * 2/2016 Symons D8/356
 2002/0145073 A1 * 10/2002 Swanson A61F 15/002
 242/588.3
 2003/0122023 A1 * 7/2003 Pitcher B65H 75/143
 242/388.1
 2004/0178398 A1 * 9/2004 Miller F16H 55/44
 254/390
 2011/0036676 A1 * 2/2011 Skillman B65H 75/143
 191/12.4
 2015/0194829 A1 7/2015 Smeja

OTHER PUBLICATIONS

Alibaba web page [online];[retrieved on Apr. 16, 2012]; retrieved from the Internet: URL: <www.alibaba.com/product-gs/512931025/Custom_plastic_mouse_cable_wire_organizwer.html>.

* cited by examiner

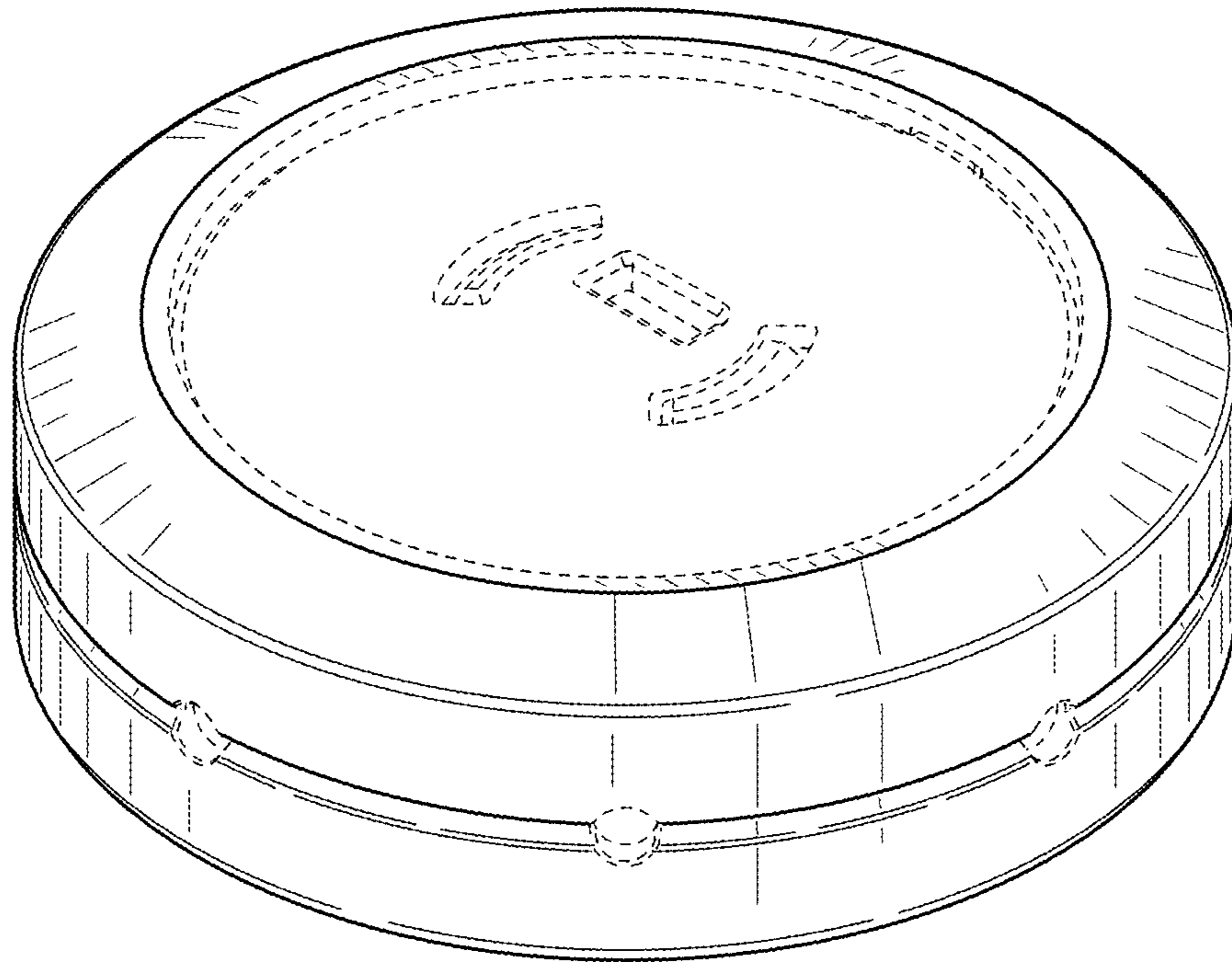


FIG. 1

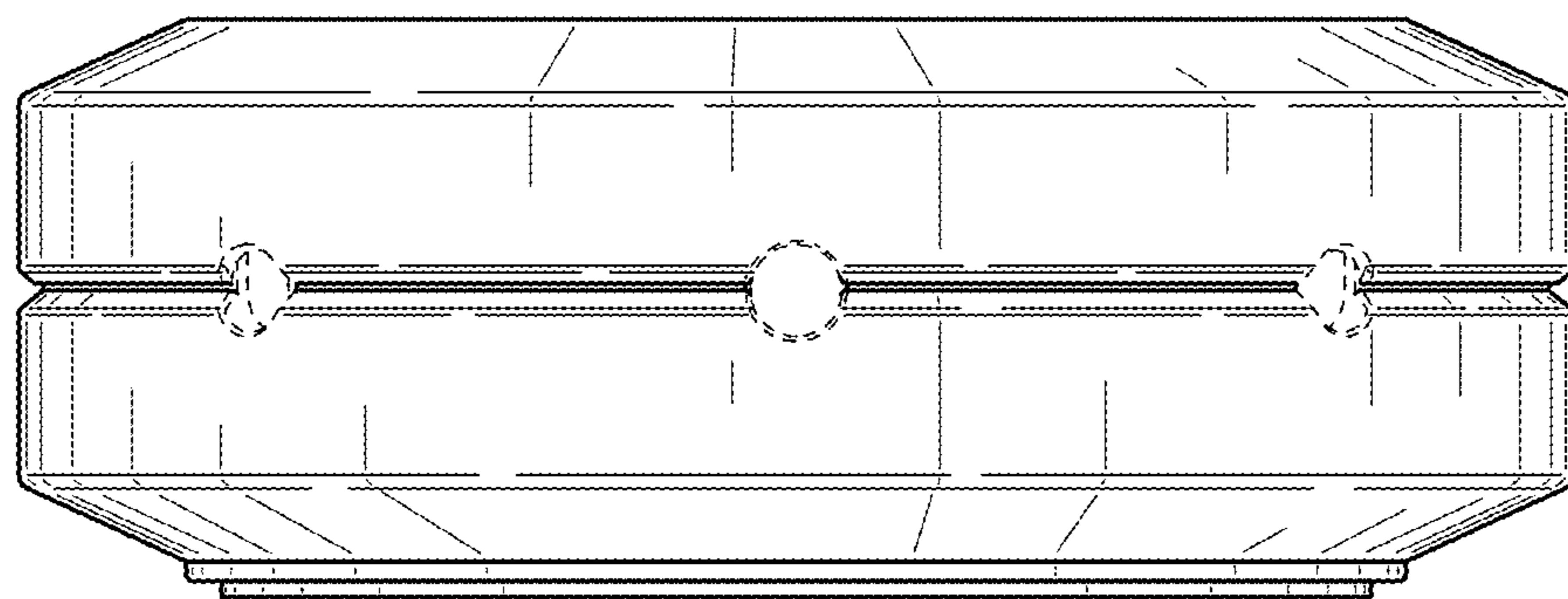


FIG. 2

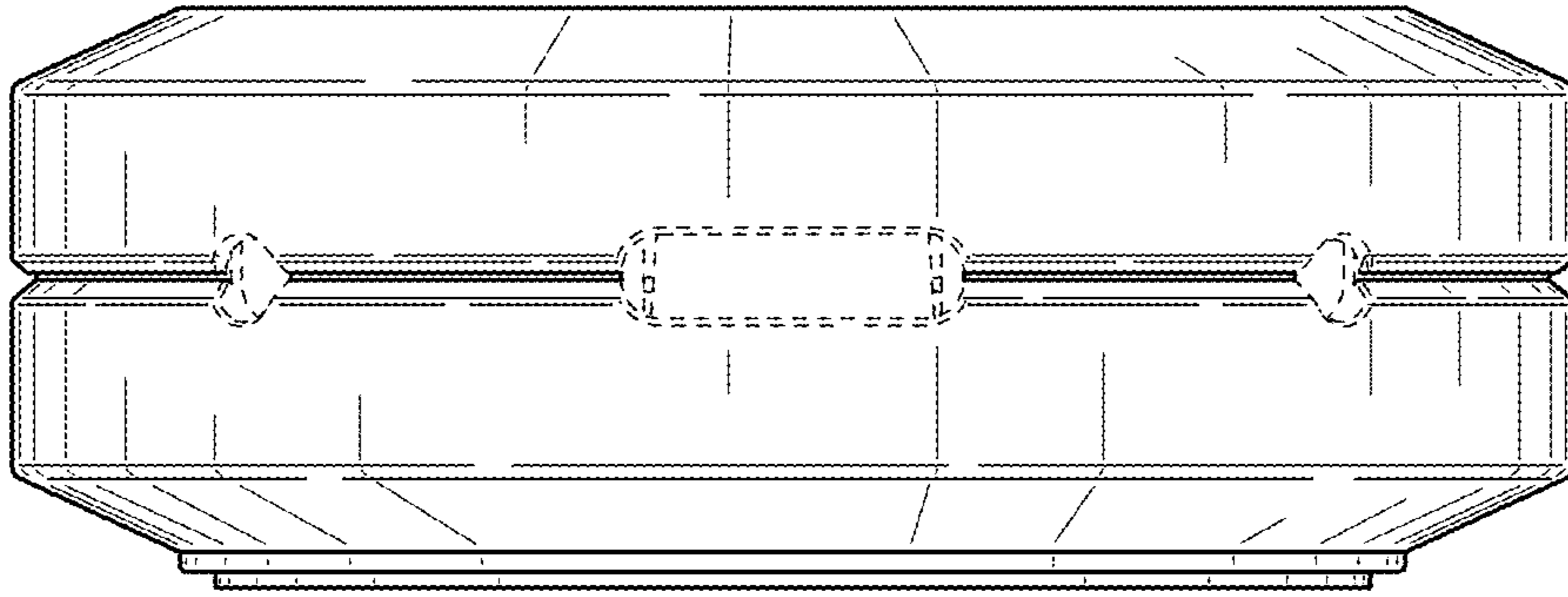


FIG. 3

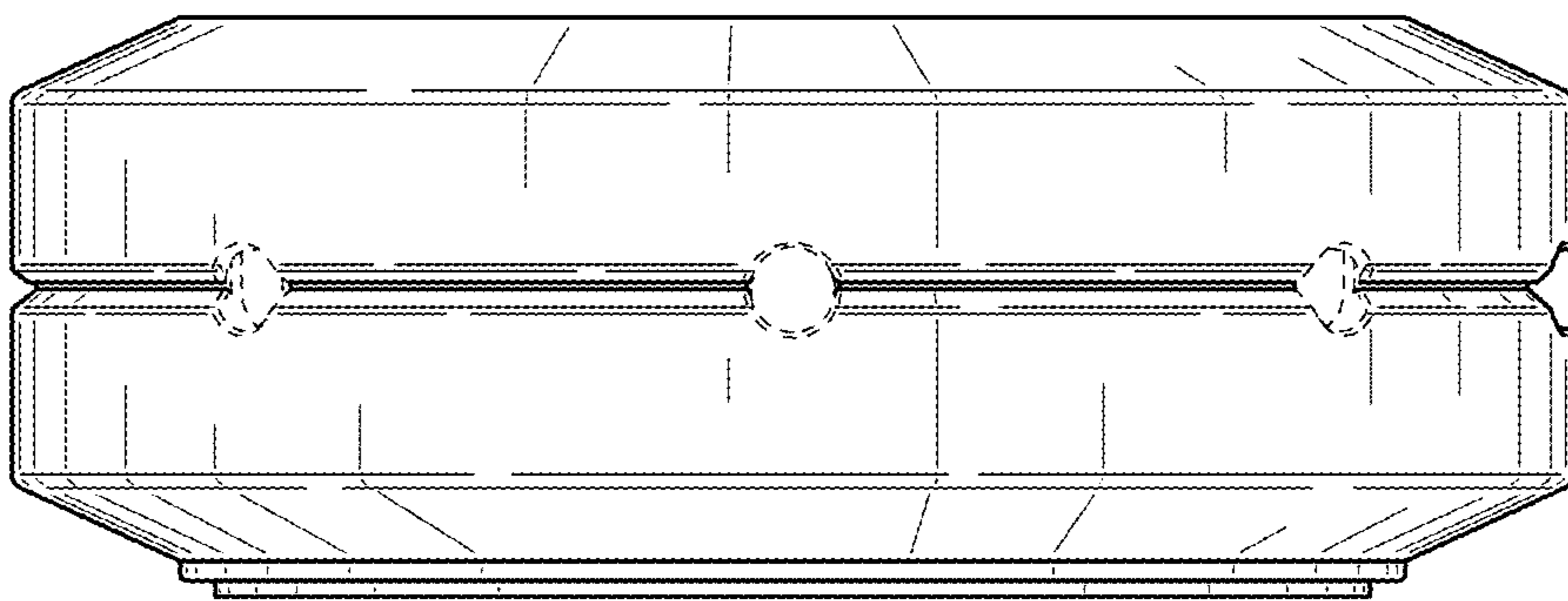


FIG. 4

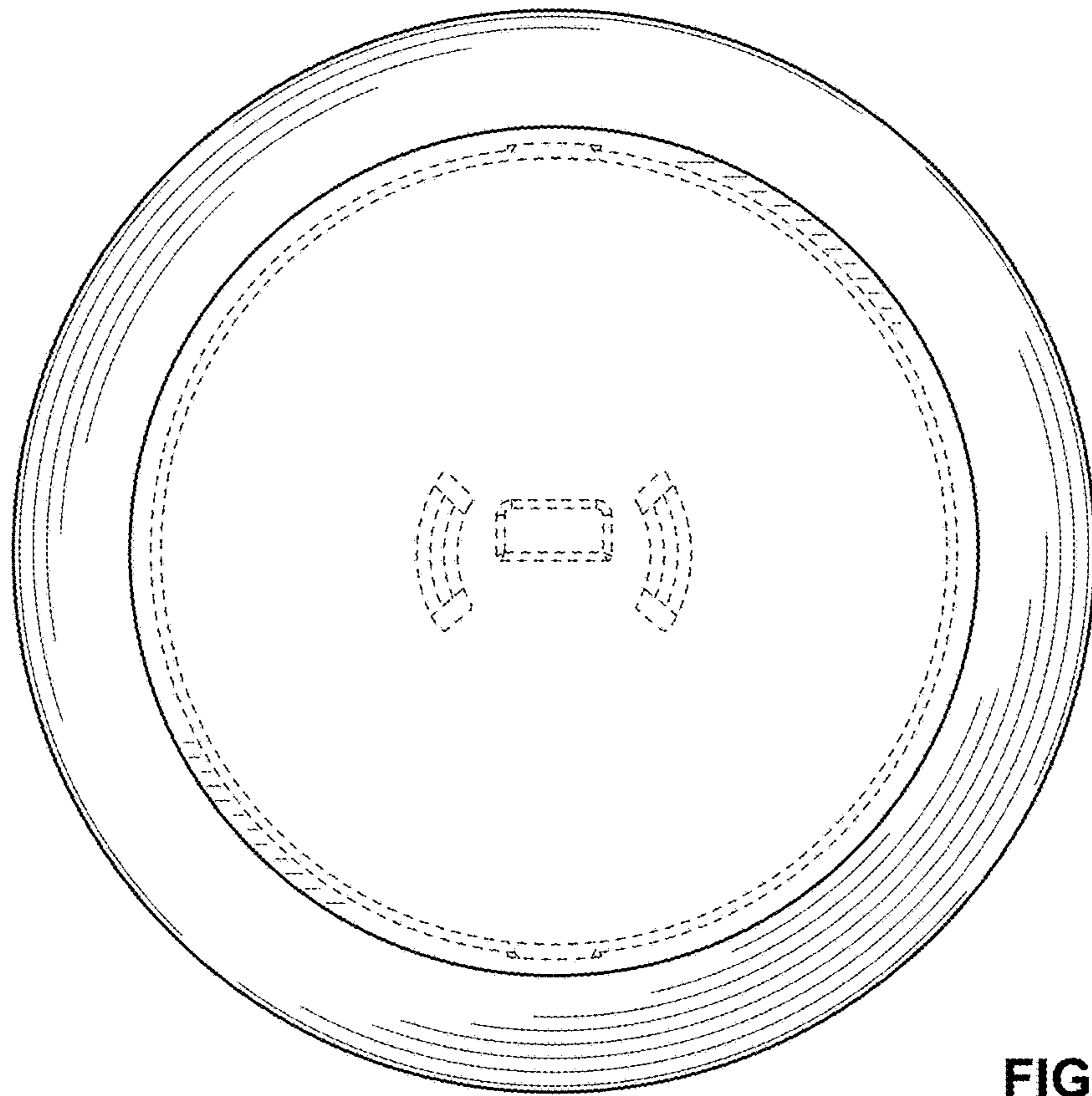


FIG. 5

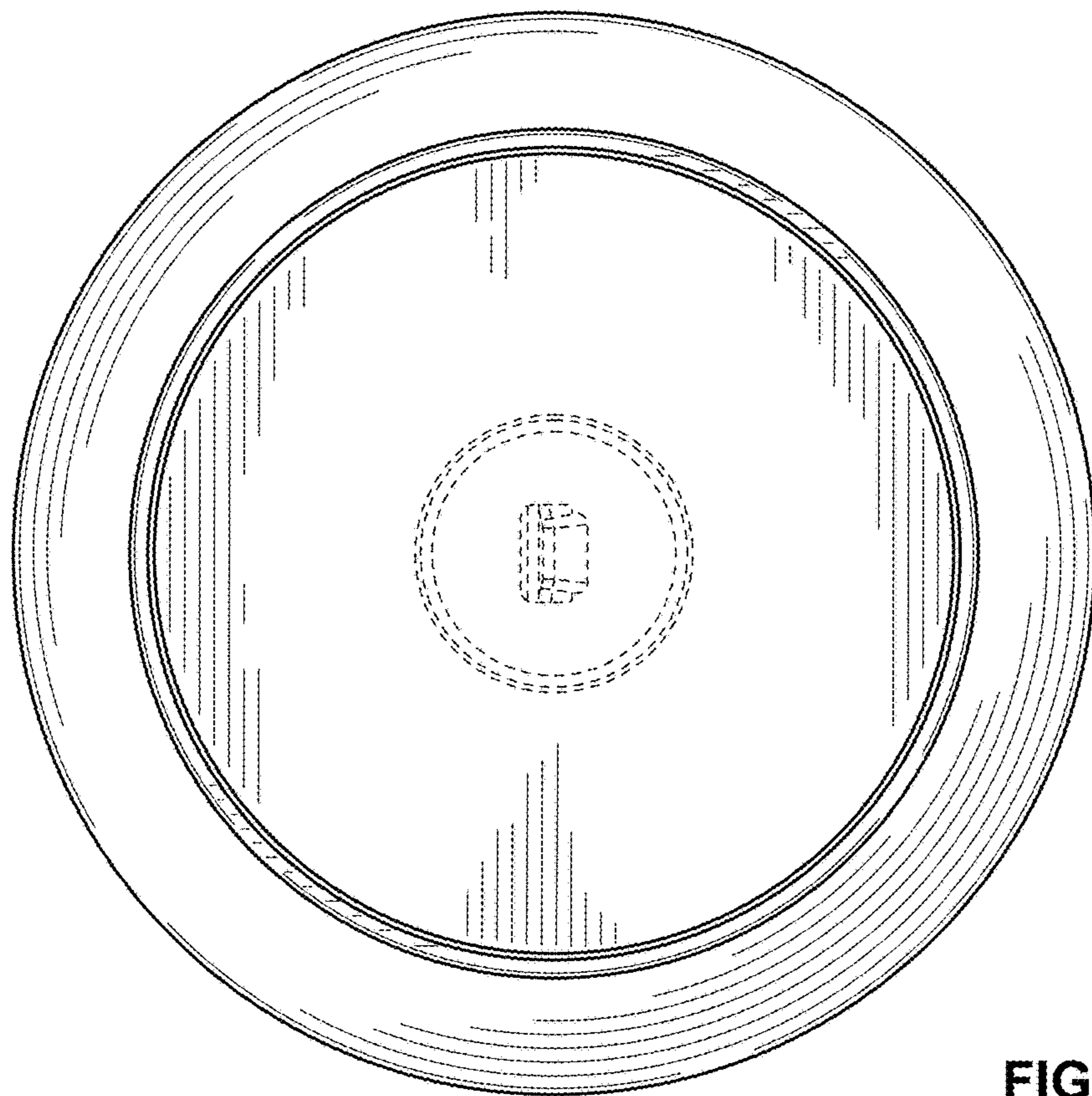


FIG. 6