



US00D808775S

(12) **United States Design Patent** (10) **Patent No.:** **US D808,775 S**
Ruddick (45) **Date of Patent:** **** Jan. 30, 2018**

(54) **CABLE CONDUIT**

(71) Applicant: **D-Line (Europe) Limited**, Tyne and Wear (GB)

(72) Inventor: **Paul David Ruddick**, Tyne and Wear (GB)

(73) Assignee: **D-Line (Europe) Limited**, Tyne and Wear (GB)

(**) Term: **15 Years**

(21) Appl. No.: **29/605,543**

(22) Filed: **May 26, 2017**

Related U.S. Application Data

(62) Division of application No. 29/558,930, filed on Mar. 23, 2016, now Pat. No. Des. 790,477, which is a division of application No. 29/466,905, filed on Sep. 12, 2013, now Pat. No. Des. 754,612.

(30) **Foreign Application Priority Data**

Mar. 18, 2013 (EM) 002204511-0001
Mar. 18, 2013 (EM) 002204511-0002
Mar. 18, 2013 (EM) 002204511-0003
Mar. 18, 2013 (EM) 002204511-0004
Mar. 18, 2013 (EM) 002204511-0005

(51) **LOC (11) Cl.** **09-06**

(52) **U.S. Cl.**
USPC **D8/356; D13/155**

(58) **Field of Classification Search**
USPC D8/356, 354, 349, 396, 394, 382;
D13/155
CPC H01R 11/11; F16L 23/036; F16L 3/13;
E04B 2/74
See application file for complete search history.

(56) **References Cited**

U.S. PATENT DOCUMENTS

1,755,899 A 4/1930 Root
D141,051 S * 5/1945 Ketchum, Jr. D25/119
3,304,108 A 2/1967 Hamilton et al.
D241,396 S * 9/1976 Copeland D25/119
4,024,691 A 5/1977 Hansen et al.
D304,904 S 12/1989 Kercher
4,951,716 A 8/1990 Tsunoda et al.
4,982,547 A 1/1991 Stolle et al.

(Continued)

FOREIGN PATENT DOCUMENTS

EM 000029814-0001 8/2003
EM 000029814-0002 8/2003

(Continued)

OTHER PUBLICATIONS

“Trunking Decorative Style—Quick to Fit, Looks Great!,” Dec. 2009 (12 pages).

Primary Examiner — Cynthia Underwood
(74) *Attorney, Agent, or Firm* — Sterne, Kessler, Goldstein & Fox P.L.L.C.

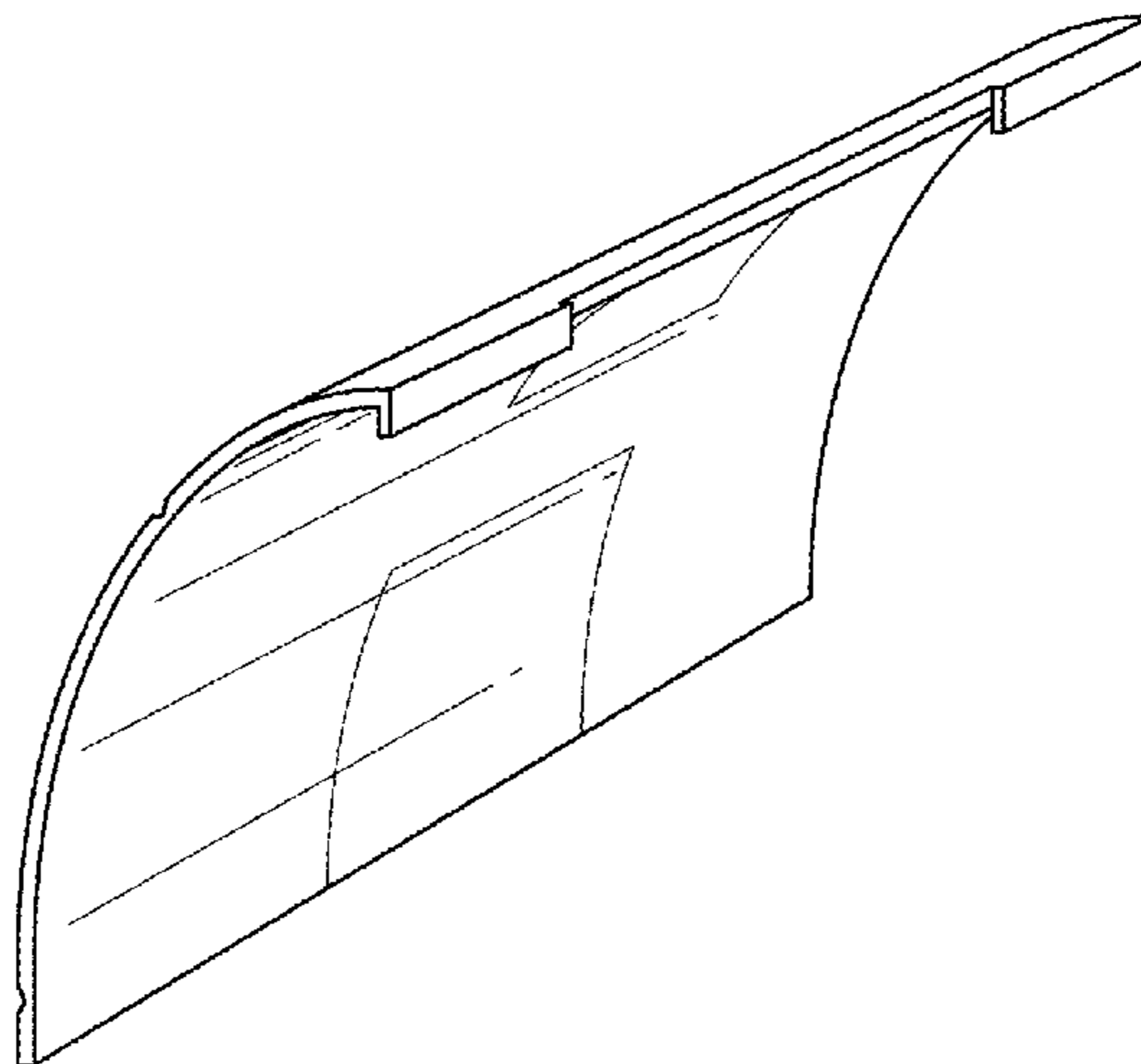
(57) **CLAIM**

The ornamental design for a cable conduit, as shown and described.

DESCRIPTION

FIG. 1 is a front perspective view of a cable conduit showing the claimed design;
FIG. 2 is a rear perspective view thereof;
FIG. 3 is a rear view thereof;
FIG. 4 is a front view thereof;
FIG. 5 is a right side view thereof;
FIG. 6 is a left side view thereof; and,
FIG. 7 is a top view thereof.
The shade lines in the drawings show contour and not surface ornamentation.

1 Claim, 2 Drawing Sheets



(56)

References Cited

U.S. PATENT DOCUMENTS

5,091,607 A 2/1992 Stob
 5,336,849 A 8/1994 Whitney
 5,649,382 A 7/1997 O'Keefe
 5,736,673 A 4/1998 Lee
 5,753,855 A 5/1998 Nicoli et al.
 D413,306 S 8/1999 Scherer et al.
 D447,737 S 9/2001 Scherer et al.
 6,329,493 B1 12/2001 El-Hibri et al.
 6,735,829 B2 5/2004 Hsu
 D503,968 S 4/2005 Ruddick
 D503,969 S 4/2005 Ruddick
 6,874,969 B2 4/2005 Jadaud et al.
 D504,938 S 5/2005 Ruddick
 7,045,707 B1 * 5/2006 Galasso H02G 3/0608
 174/503
 D528,398 S 9/2006 Meyer et al.
 D539,752 S 4/2007 Ruddick
 D541,143 S 4/2007 Ruddick
 7,234,889 B2 * 6/2007 Gautier H02G 3/0608
 174/481
 D552,221 S 10/2007 Beutler et al.
 D552,687 S * 10/2007 Smalley D20/44
 D576,107 S * 9/2008 Sayres D13/155
 D576,108 S * 9/2008 Sayres D13/155
 D614,241 S * 4/2010 Garfinkle D20/44
 8,006,948 B2 8/2011 Wents
 D649,017 S 11/2011 Stieler
 D669,035 S 10/2012 Ruddick
 D683,318 S 5/2013 Ruddick
 D688,252 S 8/2013 Paul
 D696,205 S * 12/2013 Woodlief D13/155
 D703,151 S 4/2014 Ruddick
 D720,702 S 1/2015 Baldwin et al.
 D729,177 S * 5/2015 Baldwin D13/155
 D754,612 S * 4/2016 Ruddick D13/155
 D759,758 S * 6/2016 Garfinkle D20/43
 9,394,033 B2 7/2016 Firing

D769,105 S * 10/2016 Tomney D12/217
 D790,477 S * 6/2017 Ruddick D13/155
 D791,581 S * 7/2017 Lin D8/356
 D793,963 S * 8/2017 Wegener D13/155
 2002/0006312 A1 1/2002 Buard
 2002/0121571 A1 * 9/2002 Ferris G02B 6/4459
 242/615
 2005/0217883 A1 * 10/2005 Ewer H02G 3/0418
 174/481

FOREIGN PATENT DOCUMENTS

EM 000109665-0001 3/2004
 EM 000109673-0001 3/2004
 EM 000109673-0002 3/2004
 EM 000109673-0003 3/2004
 EM 000109673-0004 3/2004
 EM 000109673-0005 3/2004
 EM 000109673-0006 3/2004
 EM 000109673-0007 3/2004
 EM 000109673-0008 3/2004
 EM 000151873-0001 6/2004
 EM 000139985-0001 7/2004
 EM 000139985-0002 7/2004
 EM 000139985-0003 7/2004
 EM 000281274-0001 3/2005
 EM 000281274-0002 3/2005
 EM 000281274-0003 3/2005
 EM 000281274-0004 3/2005
 EM 000281274-0005 3/2005
 EM 000281274-0006 3/2005
 EM 000379946-0001 9/2005
 EM 000379946-0002 9/2005
 EM 000379946-0003 9/2005
 EM 000379946-0004 9/2005
 EM 001680091-0001 3/2010
 EM 001680091-0002 3/2010
 EM 001680091-0003 3/2010
 EM 001680091-0004 3/2010

* cited by examiner

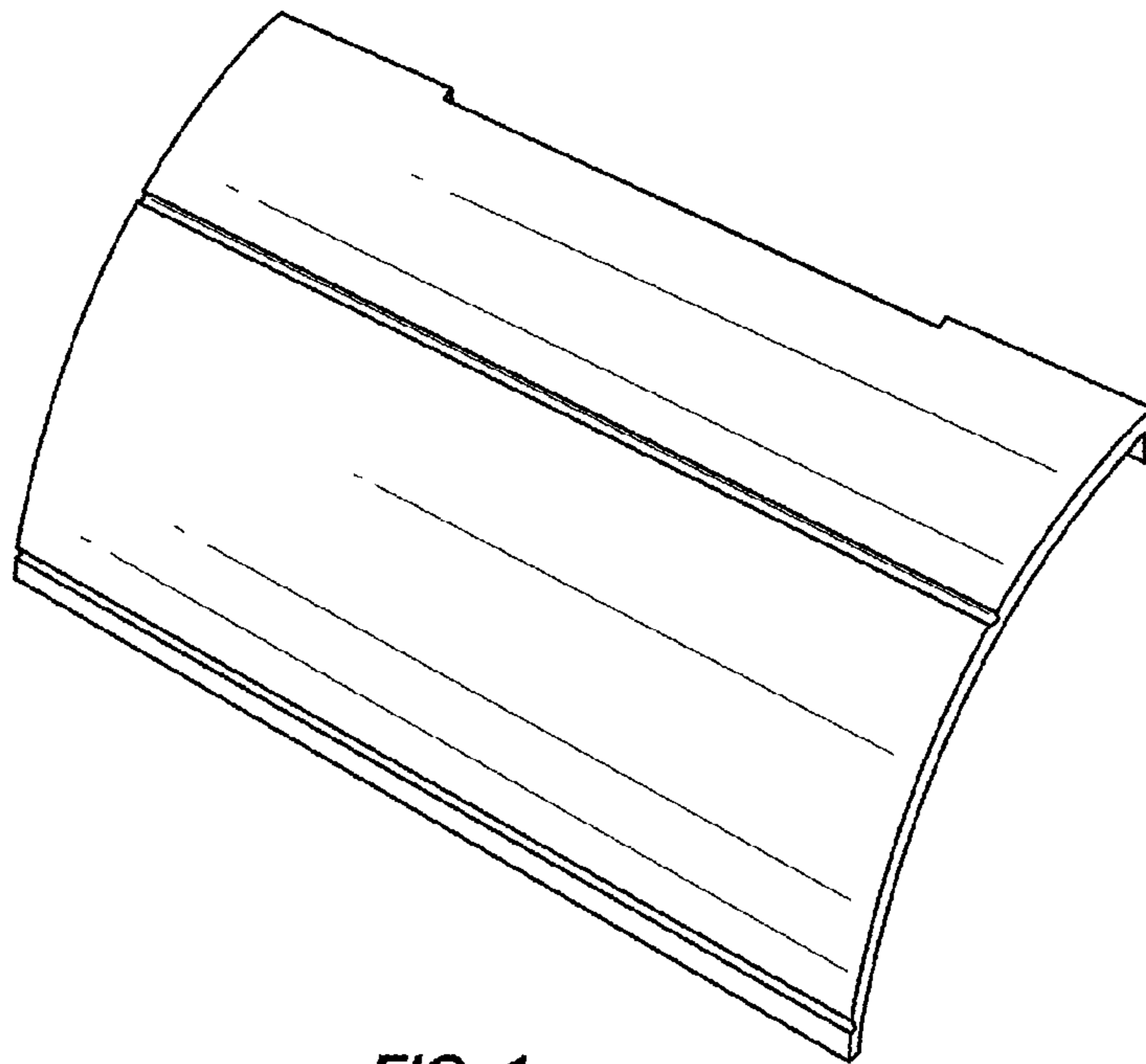


FIG. 1

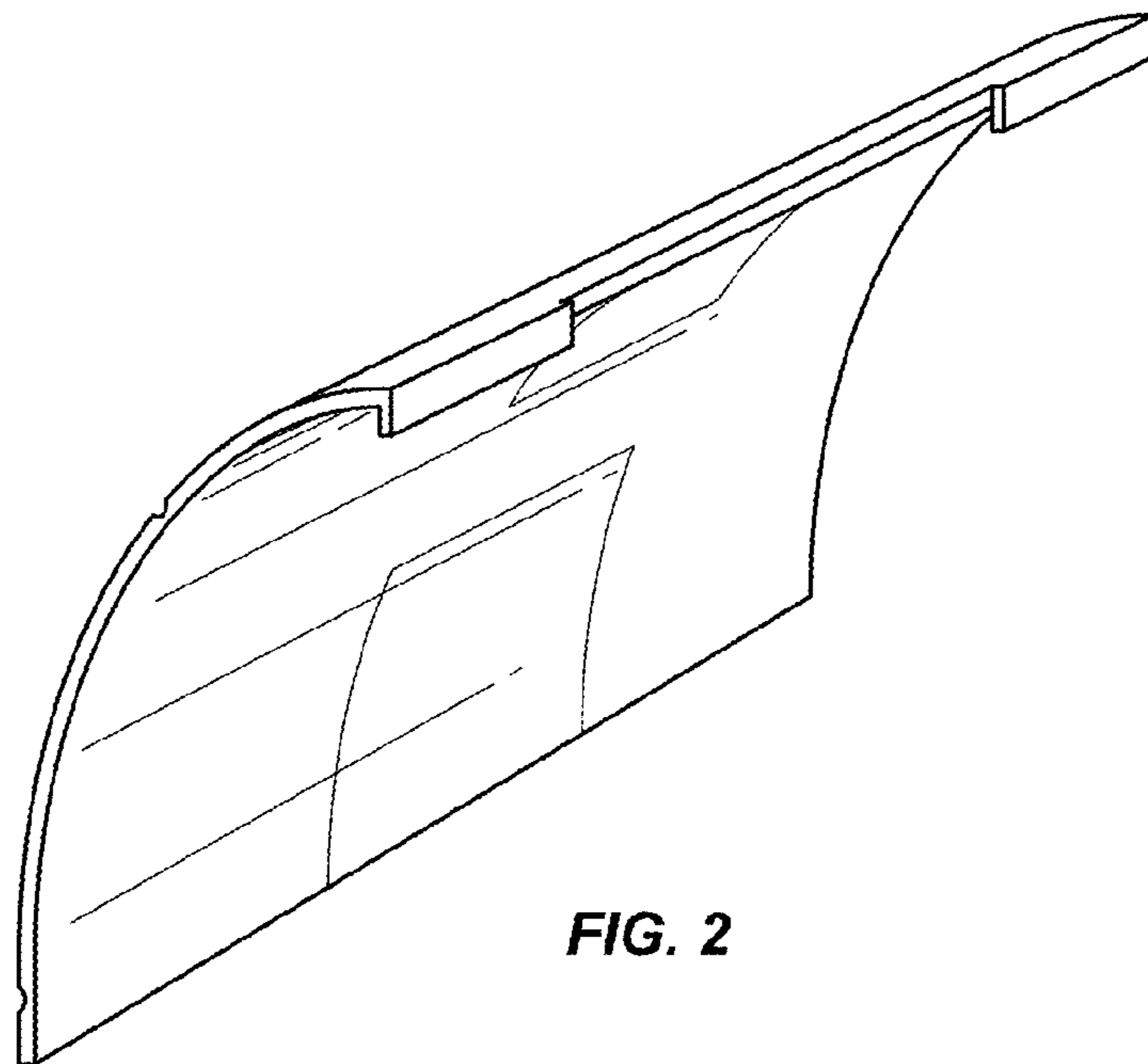


FIG. 2

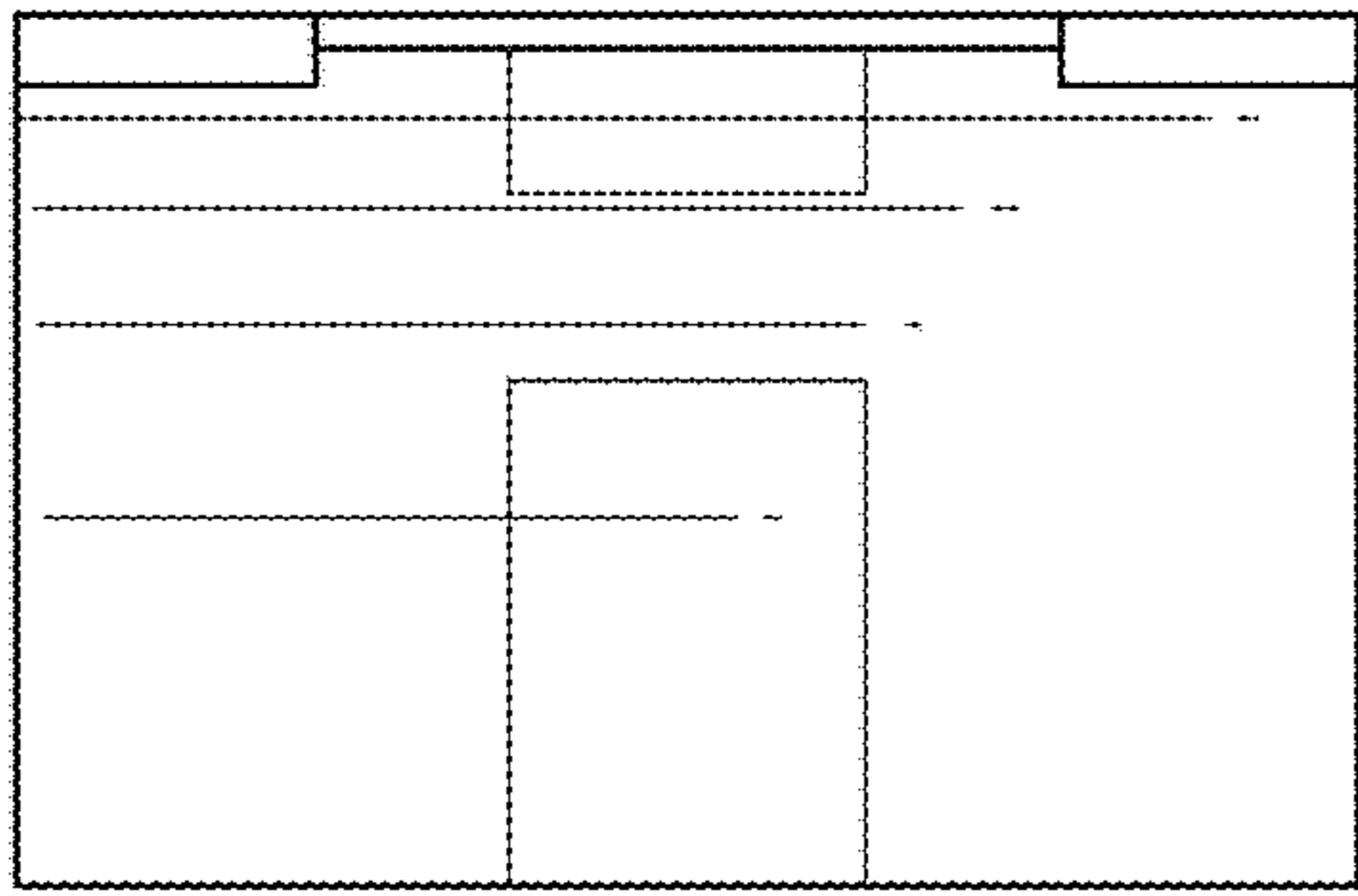


FIG. 3

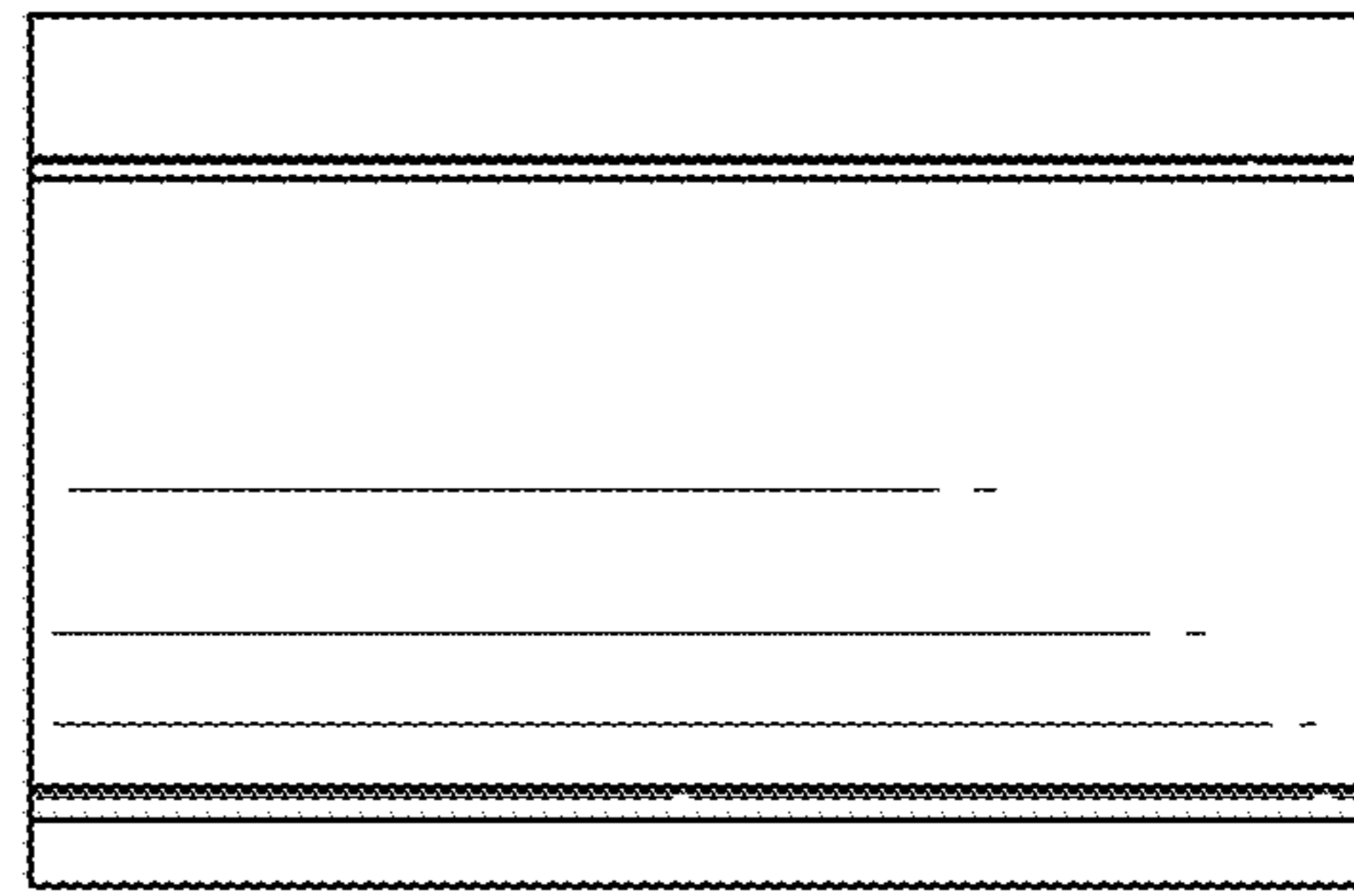


FIG. 4

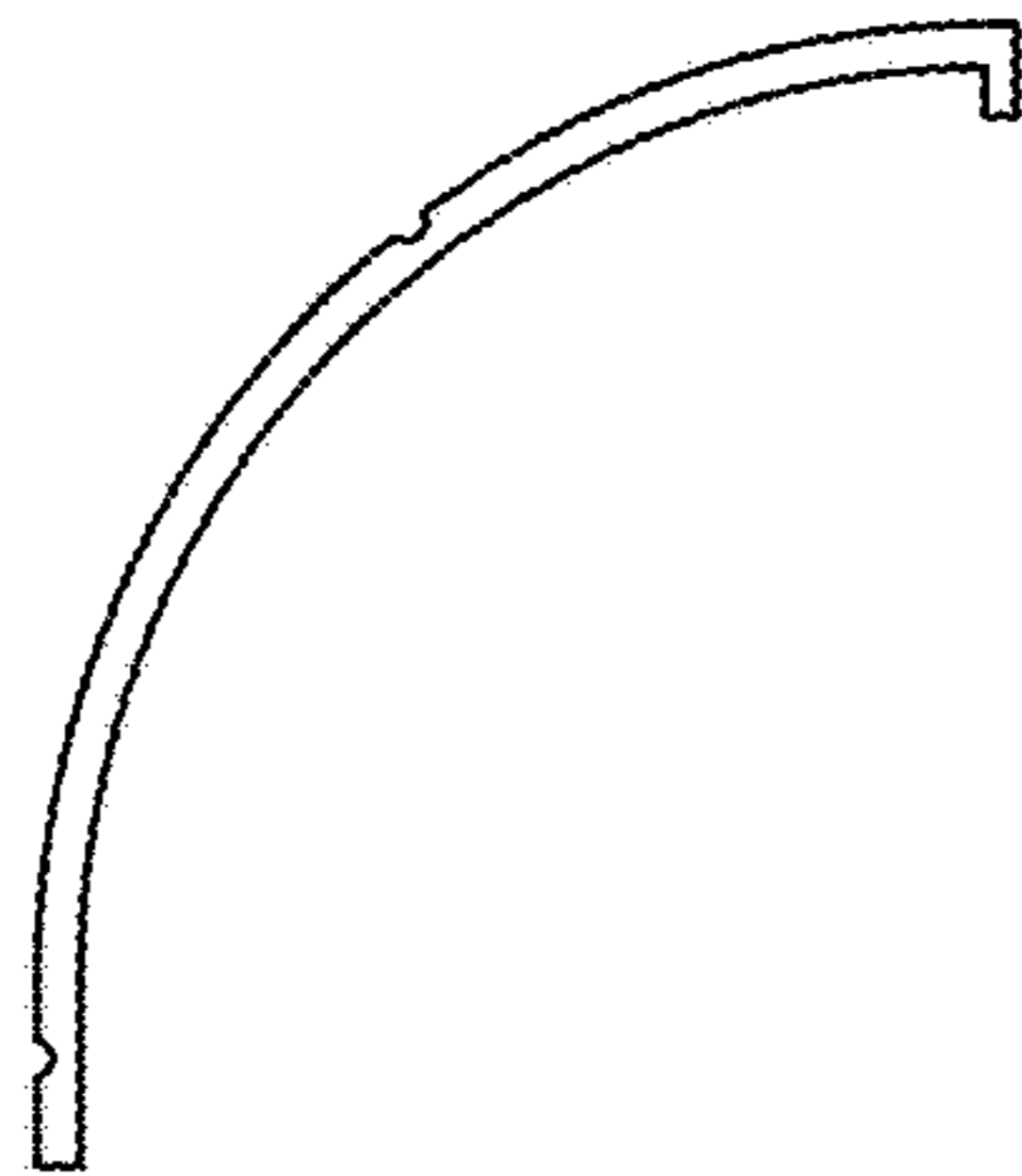


FIG. 5

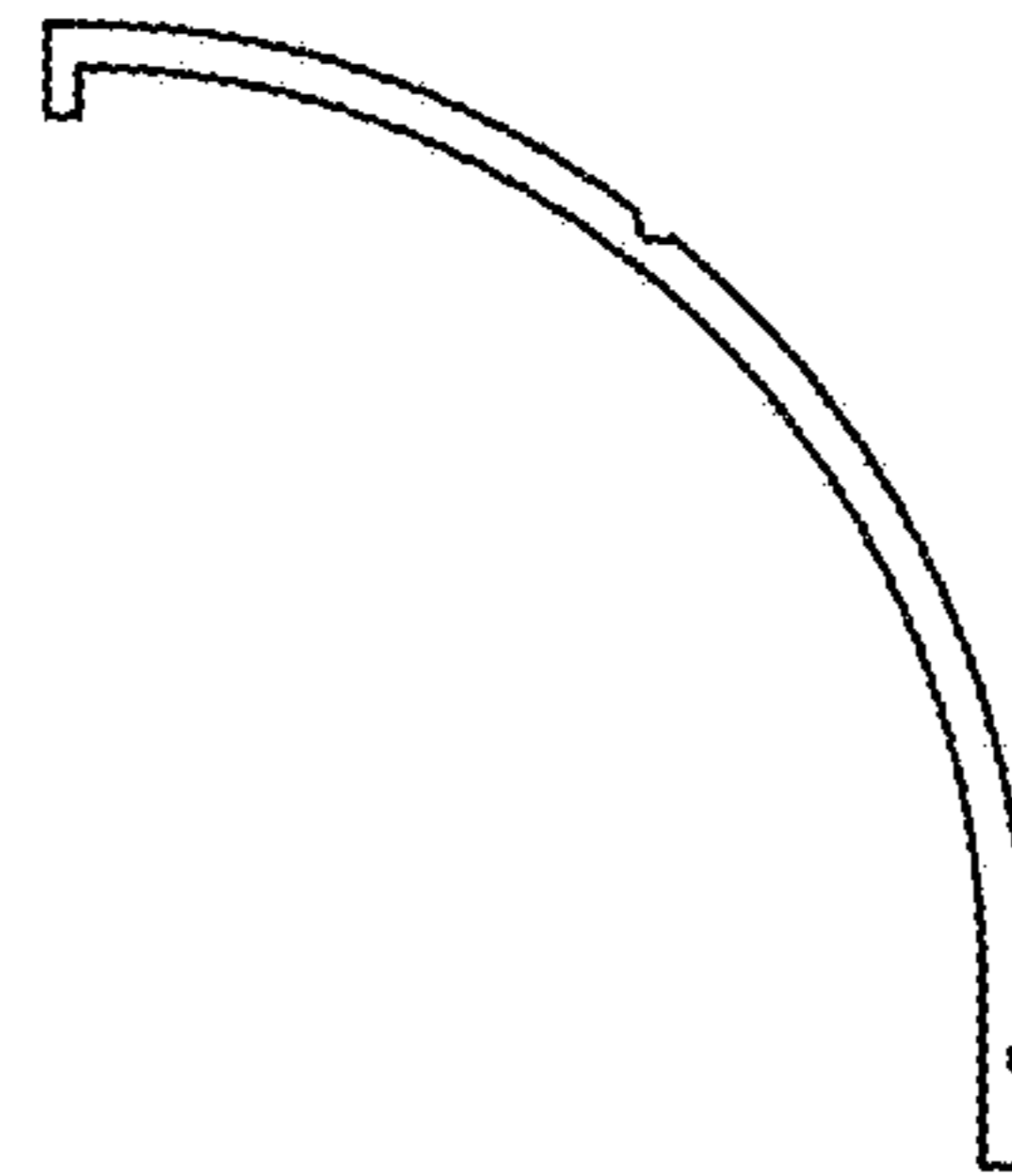


FIG. 6

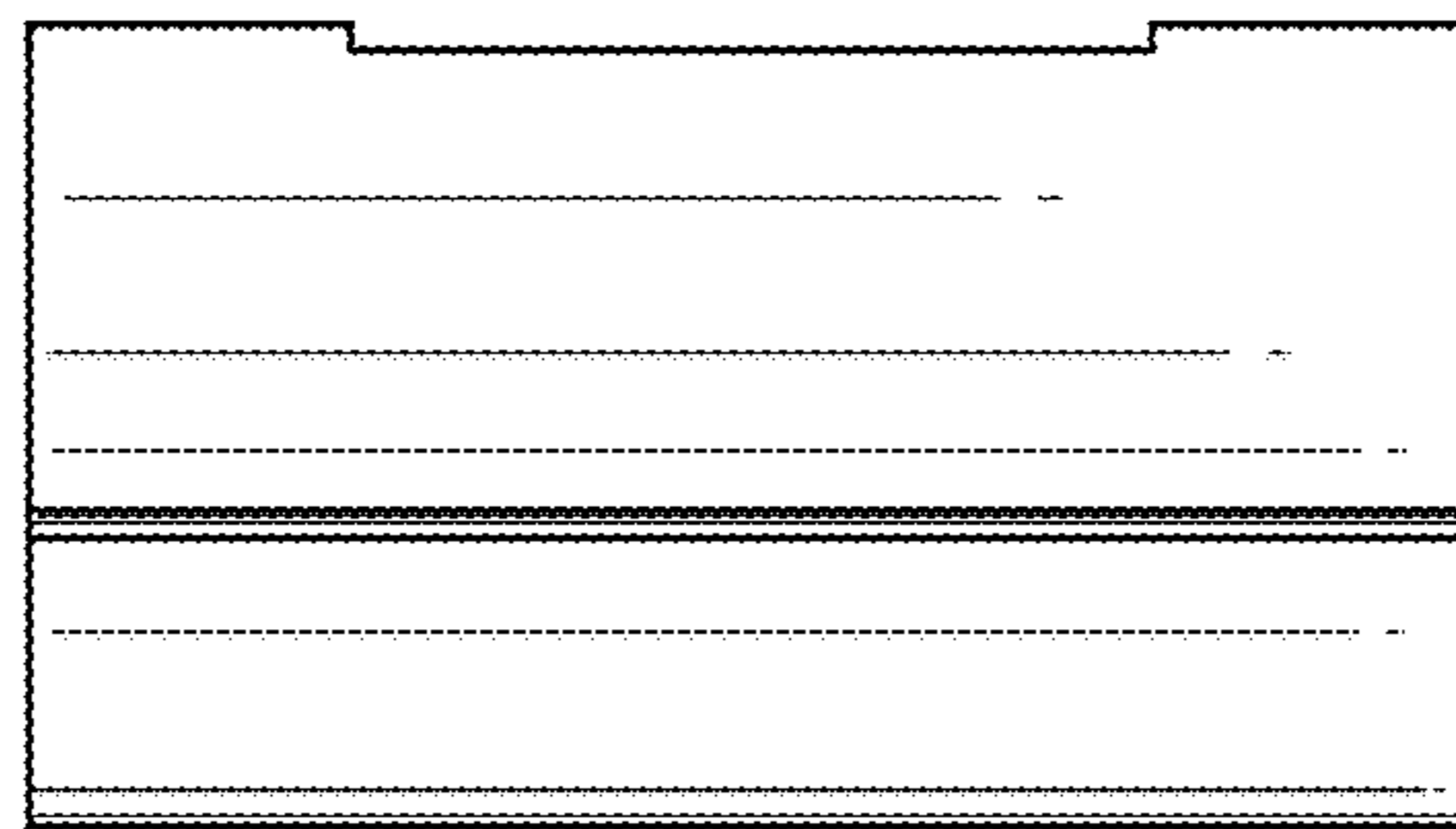


FIG. 7