



US00D808774S

(12) **United States Design Patent** (10) **Patent No.:** **US D808,774 S**
Gobbi (45) **Date of Patent:** **** Jan. 30, 2018**

(54) **MOUNTAIN SPORT EQUIPMENT**
(71) Applicant: **GRIVEL S.r.l.**, Courmayeur (IT)
(72) Inventor: **Gioachino Gobbi**, Courmayeur (IT)
(73) Assignee: **GRIVEL S.r.l.**, Courmayeur (IT)
(**) Term: **15 Years**
(21) Appl. No.: **29/601,831**

D528,406 S 9/2006 Kramer
D548,061 S * 8/2007 Hu D8/370
D564,341 S * 3/2008 Kelleghan D8/356
D614,017 S * 4/2010 Bender D8/356
D655,999 S 3/2012 Kelleghan
8,234,761 B2* 8/2012 Gompert F16B 45/02
24/599.4
D669,764 S * 10/2012 Kelleghan D8/356
D684,452 S 6/2013 Petzl
D702,110 S 4/2014 Gobbi
D708,046 S 7/2014 Petzl
(Continued)

(22) Filed: **Apr. 26, 2017**

Related U.S. Application Data

(62) Division of application No. 29/552,352, filed on Jan. 21, 2016, now abandoned, which is a division of application No. 29/496,525, filed on Jul. 14, 2014, now Pat. No. Des. 761,087.

Foreign Application Priority Data

(30) Jan. 13, 2014 (EM) 001399307-0008
Jan. 15, 2014 (EM) 001399307-0009
Jan. 15, 2014 (ME) 001399307-0007

(51) **LOC (11) Cl.** **09-06**

(52) **U.S. Cl.**
USPC **D8/356**

(58) **Field of Classification Search**
USPC D8/356, 354, 349
CPC ... B60T 3/00; H02G 3/045; F16B 2/00; F16B
45/02; A63B 27/00
See application file for complete search history.

(56) **References Cited**

U.S. PATENT DOCUMENTS

D282,904 S 3/1986 Faidide
D375,252 S 11/1996 Serra Fabregas
5,937,490 A 8/1999 Mihailovic
D468,997 S 1/2003 Chang
D470,393 S * 2/2003 Kelleghan D8/356
D528,238 S * 9/2006 Kramer D26/38

OTHER PUBLICATIONS

U.S. Appl. No. 29/552,352, filed Jan. 21, 2016.
U.S. Appl. No. 29/496,525, filed Jul. 14, 2014, D. 761,087.

Primary Examiner — Cynthia Underwood
(74) *Attorney, Agent, or Firm* — McCarter & English, LLP

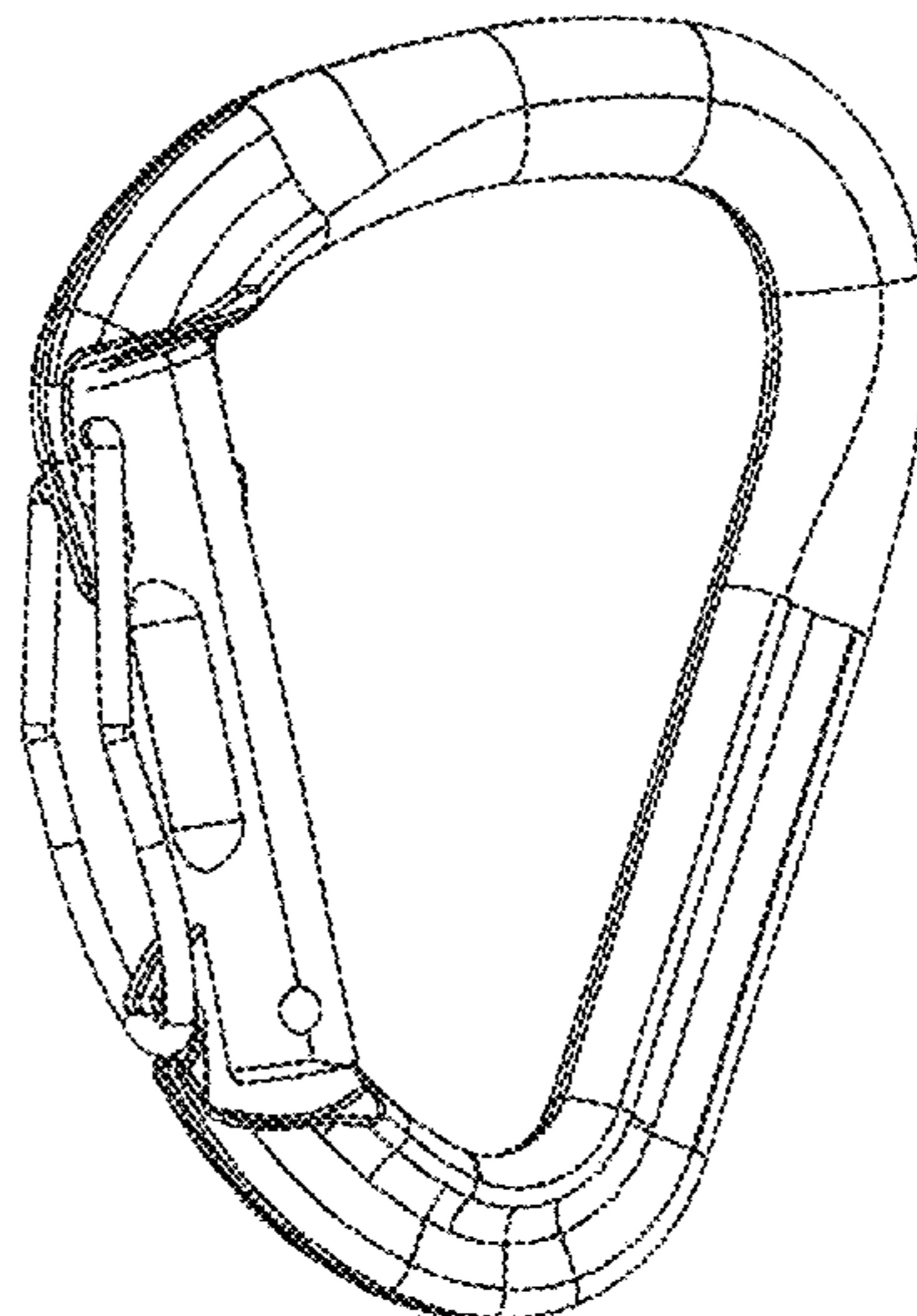
(57) **CLAIM**

The ornamental design for mountain sport equipment, as shown and described.

DESCRIPTION

FIG. 1 is a perspective view of mountain sport equipment according to the present invention;
FIG. 2 is a left side elevational view of the mountain sport equipment of FIG. 1;
FIG. 3 is a right side elevational view of the mountain sport equipment of FIG. 1;
FIG. 4 is a front elevational view of the mountain sport equipment of FIG. 1;
FIG. 5 is a rear elevational view of the mountain sport equipment of FIG. 1;
FIG. 6 is a top plan view of the mountain sport equipment of FIG. 1; and,
FIG. 7 is a bottom plan view of the mountain sport equipment of FIG. 1.

1 Claim, 7 Drawing Sheets



(56)

References Cited

U.S. PATENT DOCUMENTS

D716,639	S	*	11/2014	Kelleghan	D8/356
D735,559	S		8/2015	Liang		
D740,645	S		10/2015	Koreishi		
D743,778	S		11/2015	Huang		
D745,375	S	*	12/2015	Gobbi	D8/356
D746,662	S	*	1/2016	Kelleghan	D8/356
D762,460	S		8/2016	Gobbi		
D766,071	S	*	9/2016	Spater	D8/356
D785,316	S	*	5/2017	Grossman	D3/208
D785,317	S	*	5/2017	Grossman	D3/208
2002/0050032	A1	*	5/2002	Carnall	F16B 45/02 24/600.2
2008/0209700	A1		9/2008	Goldberg		

* cited by examiner

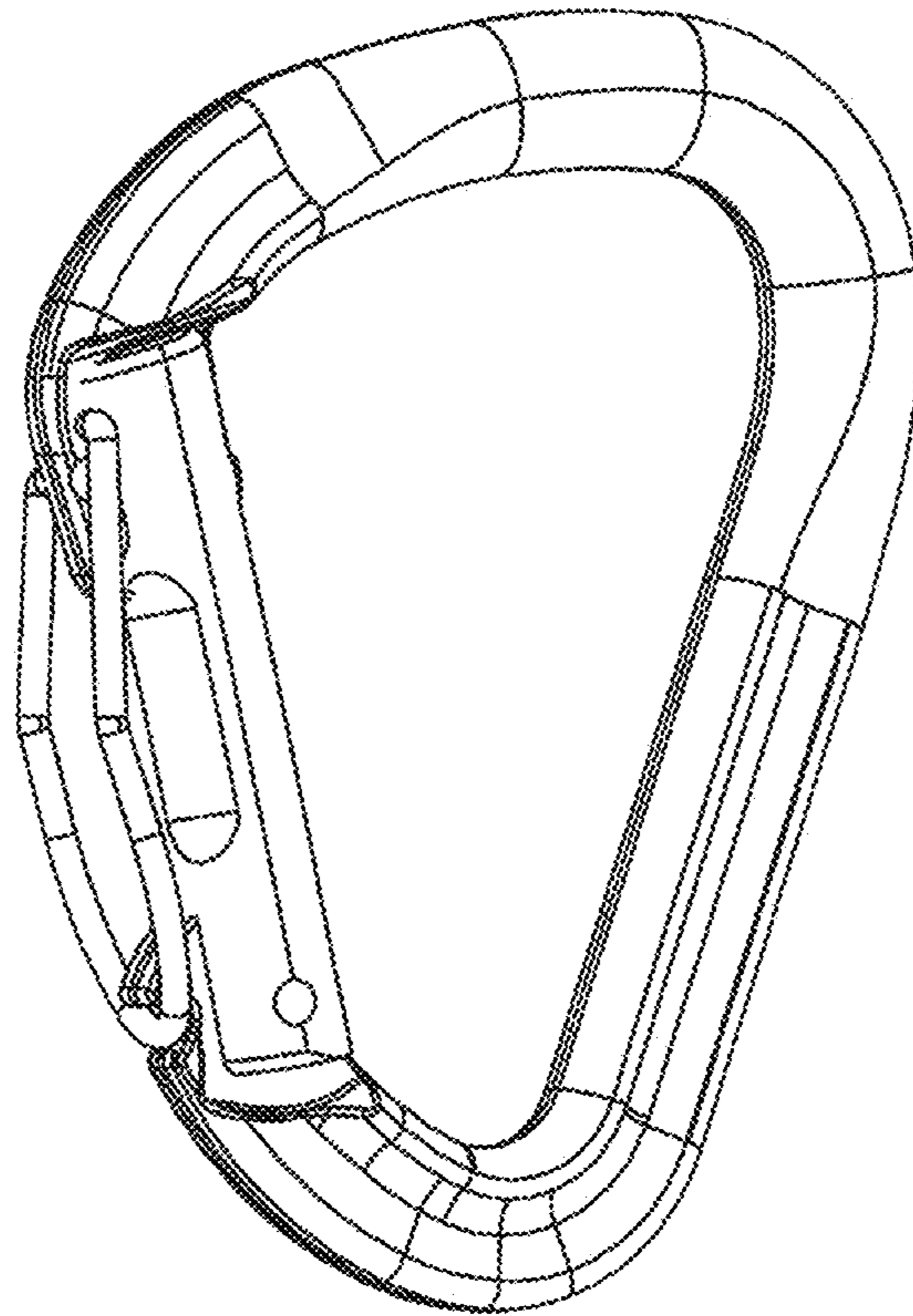


FIG. 1

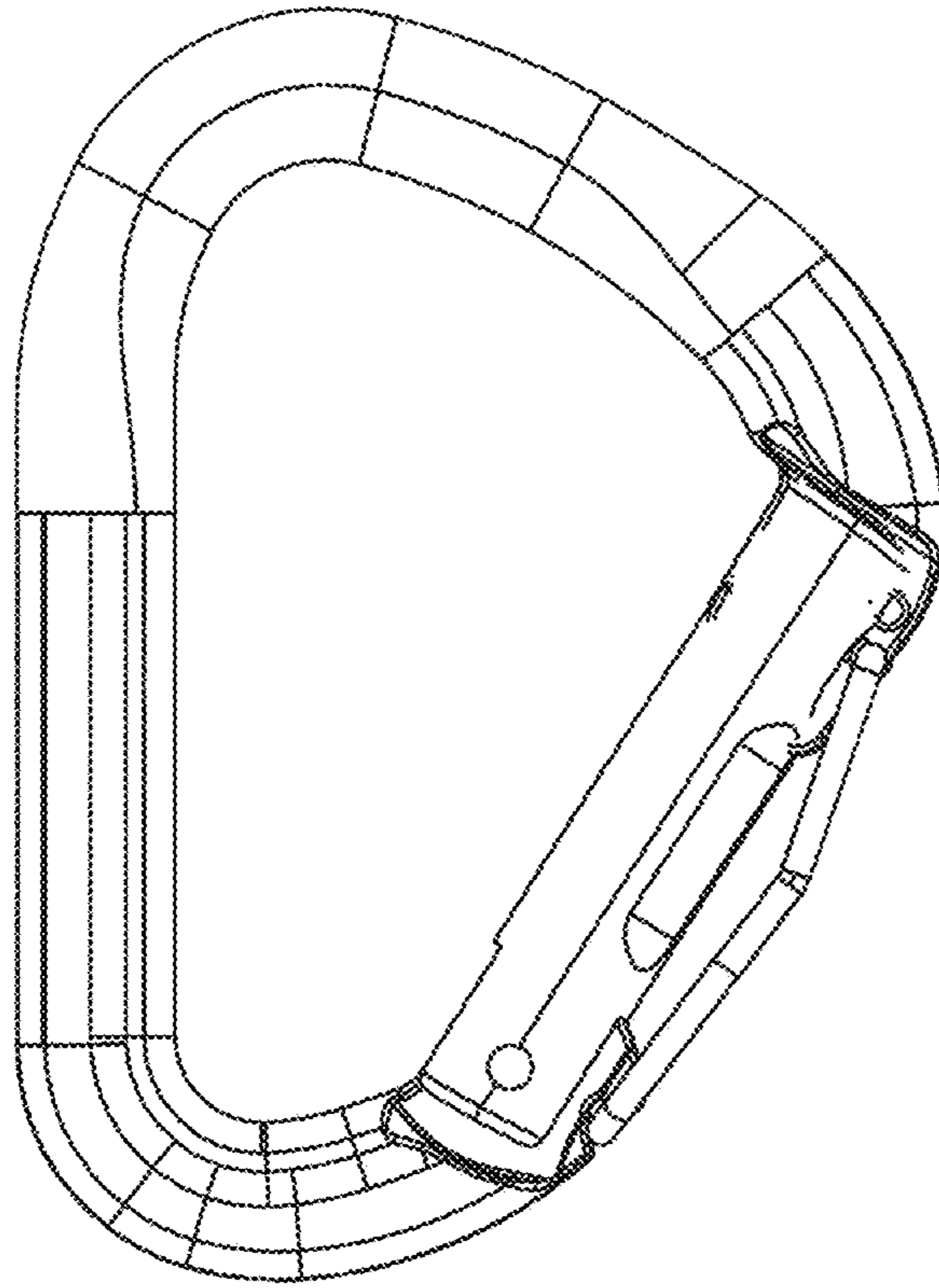


FIG. 2

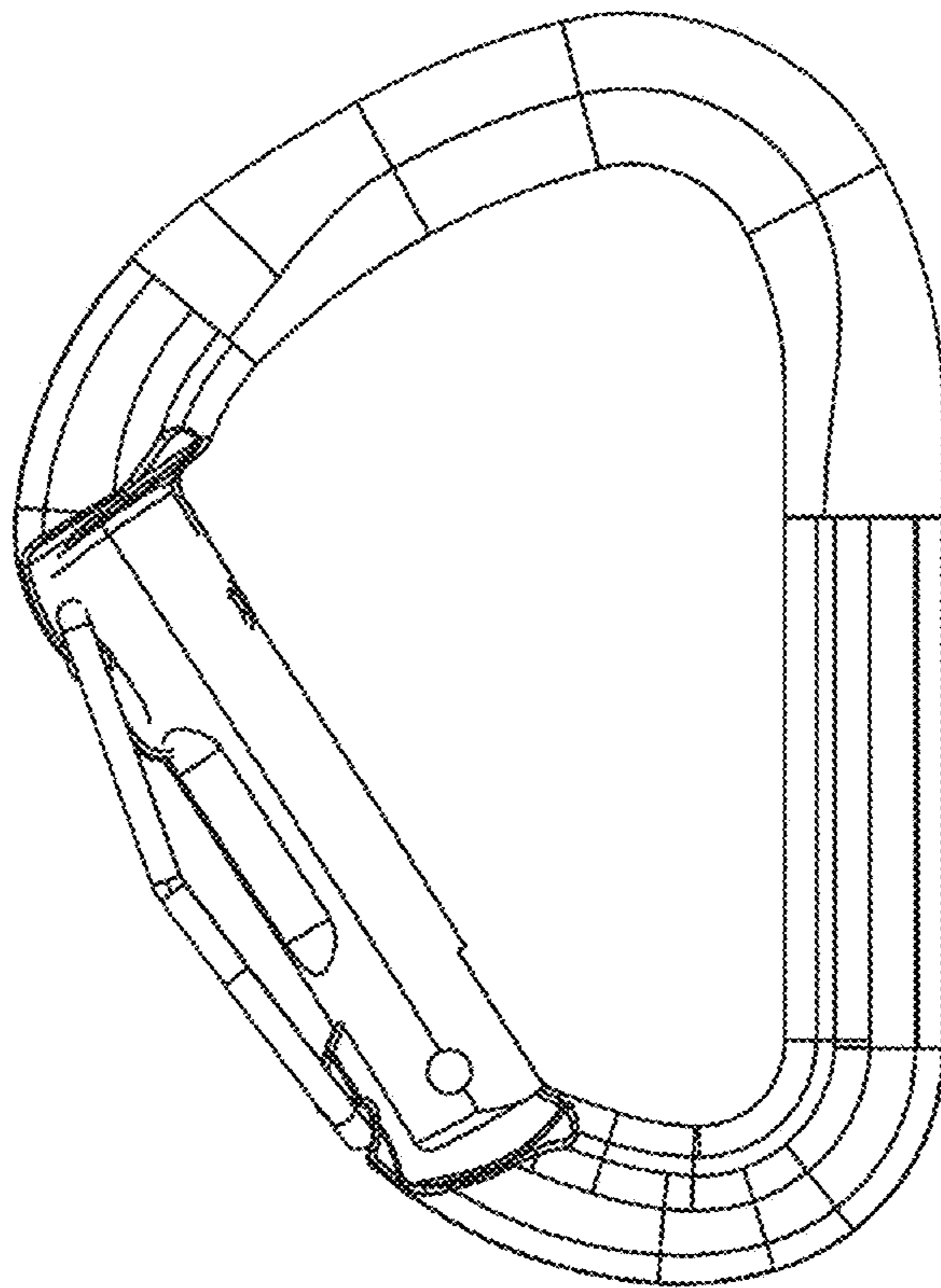


FIG. 3

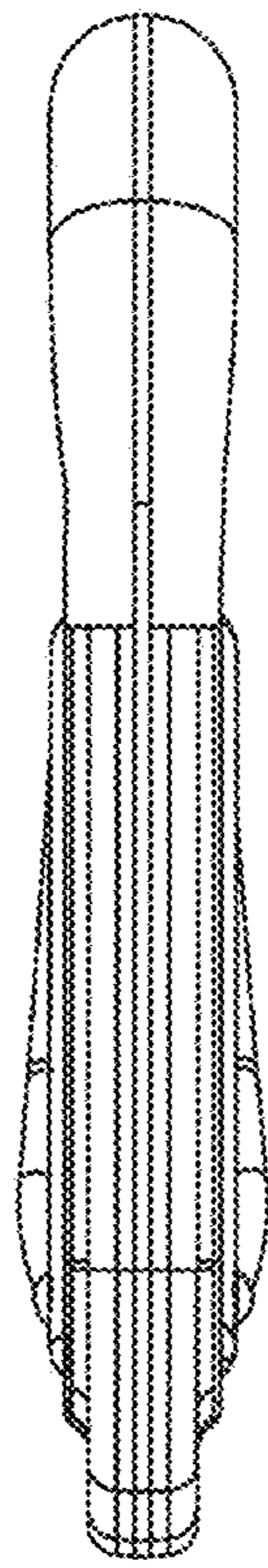


FIG. 4

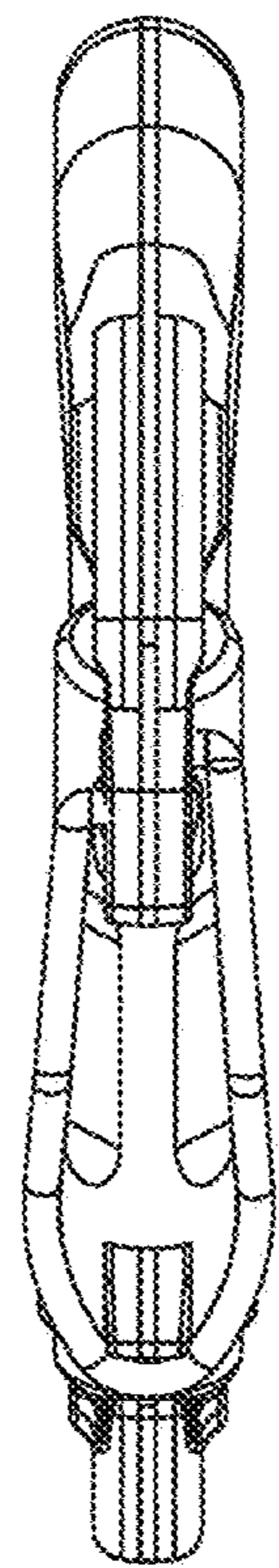


FIG. 5

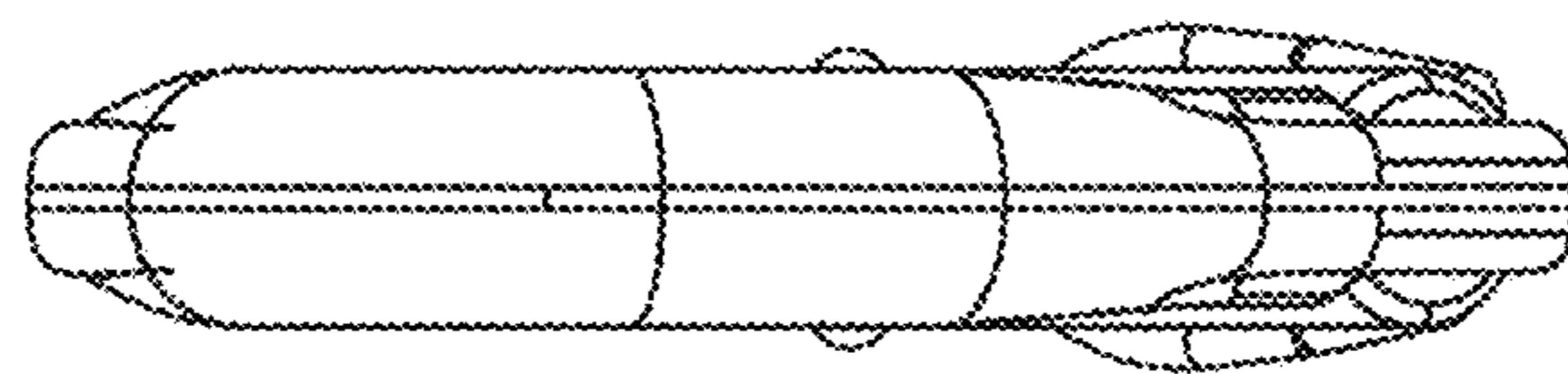


FIG. 6



FIG. 7

UNITED STATES PATENT AND TRADEMARK OFFICE
CERTIFICATE OF CORRECTION

PATENT NO. : D808,774 S
APPLICATION NO. : 29/601831
DATED : January 30, 2018
INVENTOR(S) : Gioachino Gobbi

Page 1 of 1

It is certified that error appears in the above-identified patent and that said Letters Patent is hereby corrected as shown below:

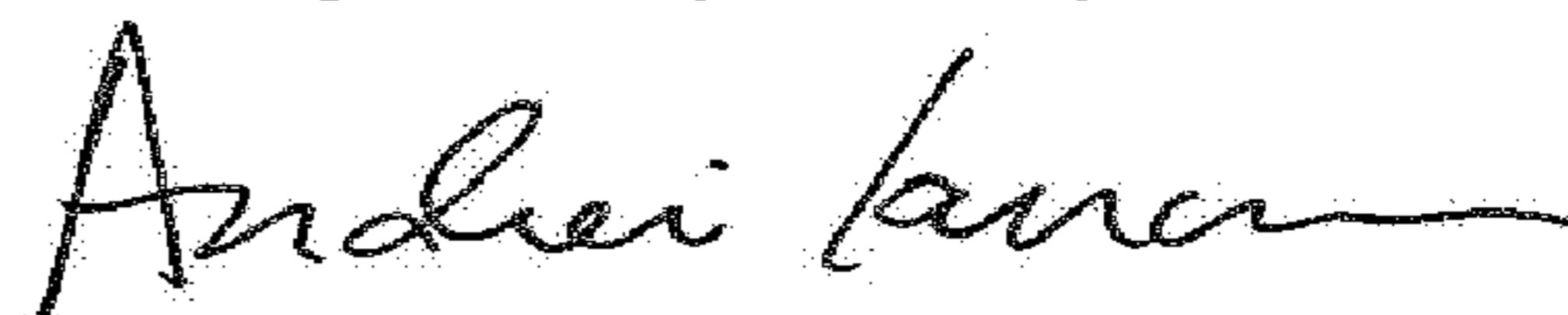
On the Title Page

At item (30) Foreign Application Priority Data Line 1-3:

Remove: Jan. 13, 2014

Insert: --Jan. 15, 2014--

Signed and Sealed this
Eighth Day of May, 2018



Andrei Iancu
Director of the United States Patent and Trademark Office