



US00D808772S

(12) **United States Design Patent** (10) **Patent No.:** **US D808,772 S**
Rothbaum et al. (45) **Date of Patent:** **** Jan. 30, 2018**

(54) **STRAP WITH CORD ATTACHMENT MECHANISM FOR A CORD MANAGEMENT SYSTEM**

(71) Applicant: **CJD LLC**, New York, NY (US)
 (72) Inventors: **Wayne Philip Rothbaum**, New York, NY (US); **Allison S. Conner**, Brooklyn, NY (US); **Robert B. Curtis**, San Francisco, CA (US); **Jonas K. Damon**, New York, NY (US); **Daniel A. Sanchez**, Brooklyn, NY (US)

(73) Assignee: **CJD LLC**, New York, NY (US)

(**) Term: **15 Years**

(21) Appl. No.: **29/597,142**

(22) Filed: **Mar. 14, 2017**

Related U.S. Application Data

(63) Continuation of application No. 29/546,707, filed on Nov. 24, 2015, now Pat. No. Des. 781,685, which is a continuation of application No. 29/519,753, filed on Mar. 6, 2015, now Pat. No. Des. 746,663, which is a continuation of application No. 29/488,367, filed on Apr. 17, 2014, now Pat. No. Des. 729,615, which is a continuation of application No. 29/444,911, filed on Feb. 5, 2013, now Pat. No. Des. 706,118, which is a continuation of application No. 29/401,359, filed on Sep. 11, 2011, now Pat. No. Des. 682,070.

(51) **LOC (11) Cl.** **09-06**

(52) **U.S. Cl.**
 USPC **D8/356**

(58) **Field of Classification Search**

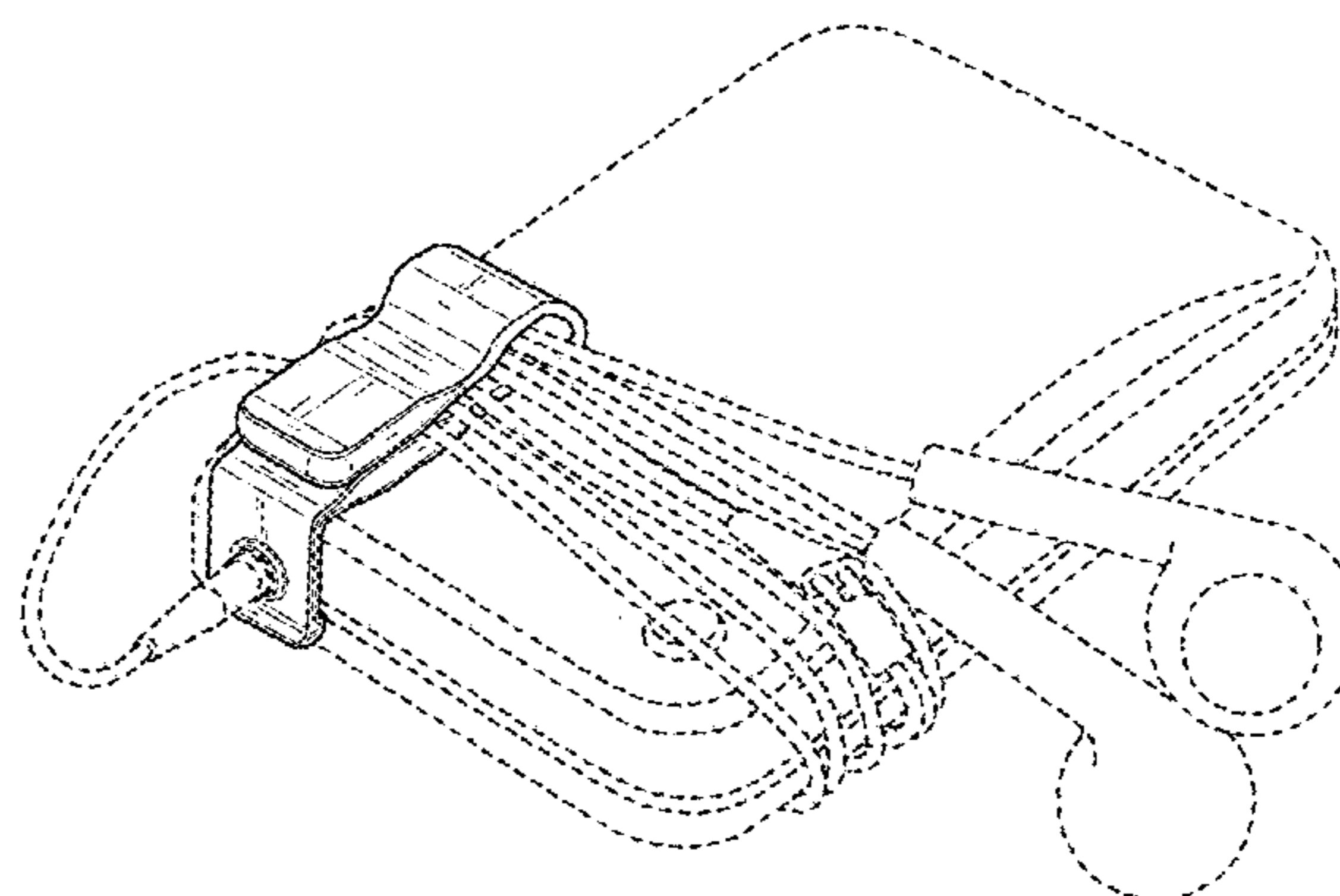
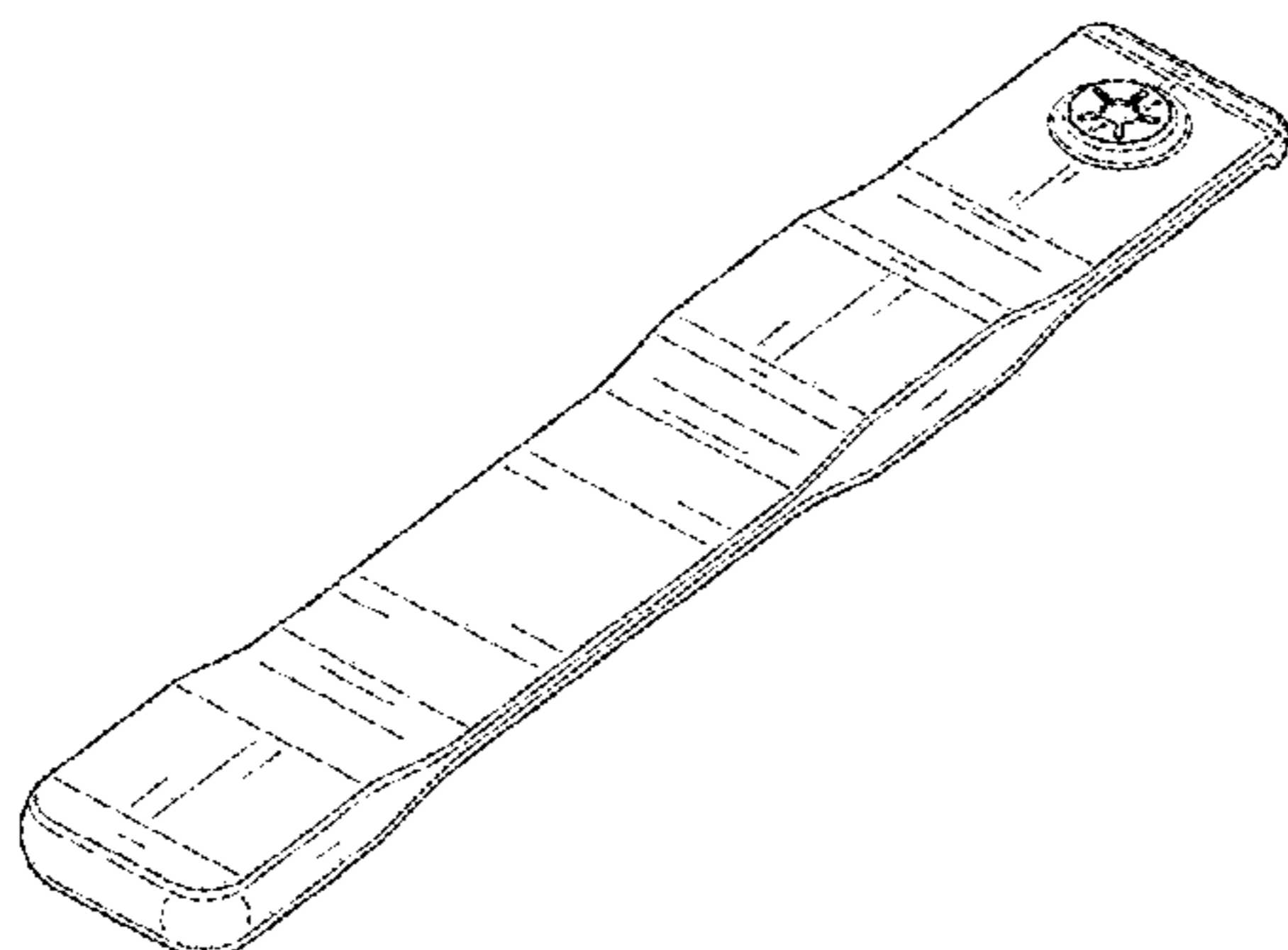
USPC D8/356, 354, 349; 206/233
 CPC B65H 57/16; E02D 5/803; B63B 21/045;
 B63B 59/02; B60D 1/18; B60P 1/103;
 B60P 7/0823; Y10T 24/3918; A62B
 35/0081; H04R 1/1033; A44B 13/0029

See application file for complete search history.

(56) **References Cited**

U.S. PATENT DOCUMENTS

535,502	A	3/1895	Knighton	
D39,960	S *	5/1909	Mussillon	D8/499
1,544,386	A *	6/1925	Fridolph	A41F 15/002 2/73
1,675,421	A	7/1928	Pettee et al.	
1,722,498	A	7/1929	Fridolph	
2,212,766	A	8/1940	Andelenis	
2,373,328	A *	4/1945	Morehouse	H02G 7/10 174/135
2,826,796	A	3/1958	Davis	
2,871,592	A *	2/1959	Polzin	G09F 3/005 24/574.1
2,880,008	A	3/1959	Stoner	
2,929,596	A	3/1960	Ewing	
2,965,939	A	12/1960	Olsson	
2,985,480	A	5/1961	Otley	
3,041,697	A	7/1962	Budreck	
3,086,529	A	4/1963	Munz et al.	
D206,401	S	12/1966	Fisher	
3,529,328	A	9/1970	Davison	
D224,960	S	10/1972	Wilson	
3,919,740	A	11/1975	Scherb	
3,994,048	A	11/1976	Rosenthal	
D259,242	S *	5/1981	Gilb	D8/373
4,455,719	A	6/1984	Morita	
4,480,361	A	11/1984	Morita	
4,597,206	A	7/1986	Benson	
4,736,494	A	4/1988	Marchesi	
4,815,172	A	3/1989	Ward	
4,920,235	A	4/1990	Yamaguchi	
4,939,818	A	7/1990	Hahn	
4,940,427	A	7/1990	Pearson	
4,957,232	A *	9/1990	Sprague	A45F 5/02 224/249
4,963,410	A	10/1990	Bryant	
5,024,402	A *	6/1991	Hamel	B23B 45/02 24/16 PB
5,048,158	A	9/1991	Koerner	
5,086,543	A	2/1992	Mitchell	
5,130,899	A	7/1992	Larkin et al.	
5,136,759	A	8/1992	Armour, II	
5,142,743	A	9/1992	Hahn	
5,142,746	A	9/1992	Morita	
5,168,603	A	12/1992	Reed	
5,185,499	A	2/1993	Yahraus	
5,274,889	A	1/1994	Morita	
5,289,619	A	3/1994	Pileggi	
D353,343	S	12/1994	Eberhardt	
D353,990	S *	1/1995	Alfreds	D8/356



US D808,772 S

5,392,497 A	2/1995	Defner		D488,374 S	4/2004	Hussaini et al.	
D357,739 S	4/1995	Stewart et al.		D491,046 S	6/2004	Johnson	
5,402,971 A	4/1995	Bower		6,763,554 B1 *	7/2004	Torrey	B65D 63/10
D362,176 S	9/1995	Solbeck					24/17 AP
5,473,799 A	12/1995	Aoki		D495,972 S *	9/2004	Pettingill	D11/220
5,517,838 A *	5/1996	Moore	E05B 13/002	6,880,270 B2	4/2005	Prather	
			24/16 PB	D505,785 S *	6/2005	Woody	D3/215
5,518,214 A	5/1996	Spencer		D511,450 S *	11/2005	Seth	D20/22
D373,750 S	9/1996	Gunderson		6,978,521 B2	12/2005	Morita	
5,572,773 A	11/1996	Bauer		6,992,253 B1	1/2006	Spellman et al.	
5,584,452 A	12/1996	Koike		7,025,509 B2	4/2006	Martin	
5,586,760 A	12/1996	Hauter		7,039,958 B2 *	5/2006	Henricksen	A41F 19/005
5,595,014 A	1/1997	Moore					2/126
5,604,961 A	2/1997	Cole		7,080,430 B2	7/2006	Wemmer	
D378,578 S	3/1997	Eberhardt		7,096,544 B2 *	8/2006	Lusardi	A45F 5/12
D381,023 S	7/1997	Accardo					24/306
5,647,101 A	7/1997	Morita		7,213,278 B2	5/2007	Peterson et al.	
D381,888 S	8/1997	Gonda et al.		7,222,796 B2	5/2007	Taras	
D384,669 S	10/1997	Collier		D543,833 S *	6/2007	Folk	D8/349
5,682,653 A	11/1997	Berglof et al.		7,334,354 B2	2/2008	Foxen et al.	
D390,447 S	2/1998	Colen, Jr.		D566,526 S	4/2008	Robbins, III et al.	
5,722,126 A	3/1998	Reiter		D567,630 S	4/2008	Brassard	
5,732,445 A	3/1998	Stodolka et al.		D567,631 S	4/2008	Brassard	
5,732,451 A	3/1998	Mars		7,356,888 B2 *	4/2008	Chao	A45F 5/00
5,745,958 A	5/1998	Kaldor					24/306
5,802,676 A *	9/1998	Tolan	A44B 18/00	D572,156 S	7/2008	Payne	
			24/16 PB	D580,257 S	11/2008	Squyers	
5,806,346 A	9/1998	Schlinger et al.		7,448,689 B2	11/2008	Carter et al.	
D400,429 S	11/1998	Morita		7,516,591 B2	4/2009	Wolner et al.	
D401,137 S	11/1998	Boelling		7,543,359 B2	6/2009	Moughelbay et al.	
5,845,374 A *	12/1998	Briggs	A63B 71/146	D597,514 S	8/2009	Gencarella et al.	
			2/161.2	D599,196 S	9/2009	Ruffin et al.	
D405,352 S	2/1999	Rosenbauer		7,624,480 B2 *	12/2009	Coronel	A61M 25/02
5,933,926 A	8/1999	Reiter					128/DIG. 15
5,974,634 A	11/1999	Eisenpresser		7,640,636 B2	1/2010	Clark	
5,983,464 A	11/1999	Bauer		D611,317 S	3/2010	McGrath et al.	
6,006,455 A	12/1999	Miller		D613,137 S	4/2010	Wieberdink et al.	
6,010,105 A	1/2000	Davis		7,703,577 B1	4/2010	Zach et al.	
6,038,743 A	3/2000	Chapman		7,712,696 B2	5/2010	Loh	
6,044,525 A	4/2000	Sastre et al.		D617,668 S	6/2010	Lodi	
6,085,393 A *	7/2000	Tsui	A44B 99/00	7,731,069 B2 *	6/2010	Lopreiato	B65G 7/12
			24/3.12				224/157
6,087,594 A	7/2000	Chou		D619,883 S	7/2010	Hansort	
6,092,444 A *	7/2000	Hsiao	B25B 13/48	D619,884 S	7/2010	Hansort	
			7/168	D624,378 S	9/2010	Wysopal	
6,131,200 A *	10/2000	McNamara	A41D 25/003	7,793,892 B1	9/2010	Bowen et al.	
			2/144	D625,579 S	10/2010	Lee et al.	
6,170,088 B1	1/2001	Tate		D628,876 S	12/2010	Pierce	
6,205,623 B1	3/2001	Shepard et al.		D631,327 S	1/2011	Maraia	
6,279,804 B1 *	8/2001	Gregg	A45F 5/02	D631,328 S	1/2011	Chen	
			2/255	D631,780 S	2/2011	Levy	
6,301,754 B1	10/2001	Grunberger et al.		7,914,475 B2	3/2011	Wyatt et al.	
6,317,933 B1	11/2001	Suenaga		D636,659 S	4/2011	Rothbaum et al.	
6,344,021 B1	2/2002	Juster et al.		D639,963 S	6/2011	Kase	
D454,235 S	3/2002	Kaplan		D644,138 S	8/2011	Webb	
6,405,983 B1	6/2002	Goj		8,002,159 B2	8/2011	Cragg	
6,427,290 B1	8/2002	Liu		D645,333 S	9/2011	Rothbaum et al.	
D462,255 S	9/2002	Aoki		D652,756 S *	1/2012	Lans	D11/3
D464,562 S	10/2002	Reiter		8,103,352 B2	1/2012	Fried et al.	
6,467,132 B1 *	10/2002	Robley	B65D 63/1018	D654,052 S	2/2012	Lee et al.	
			24/16 PB	D658,484 S	5/2012	Wall	
6,473,946 B1	11/2002	Cheng		D660,740 S *	5/2012	Cullen	D11/3
6,474,520 B1	11/2002	Finkelstein		D662,087 S *	6/2012	Peller	D14/205
6,490,767 B2 *	12/2002	Haiduk	B62J 7/08	8,203,077 B2	6/2012	Honeycutt et al.	
			24/16 PB	D664,831 S	8/2012	Scherer	
6,499,199 B2	12/2002	Frazier		D666,076 S *	8/2012	Muratore	D8/349
6,523,229 B2 *	2/2003	Severson	B65D 63/1018	D666,896 S	9/2012	Pinholster, Jr. et al.	
			24/16 PB	D667,043 S *	9/2012	Couch, III	D16/237
D471,006 S	3/2003	French		8,261,416 B2	9/2012	Rothbaum et al.	
D471,231 S	3/2003	Mayo		D675,123 S *	1/2013	Nunez	D11/3
6,581,885 B2 *	6/2003	Polad	F16L 3/137	D676,425 S	2/2013	Nishimura et al.	
			24/16 PB	D676,733 S	2/2013	Zach et al.	
6,588,074 B2	7/2003	Galkiewicz et al.		8,366,058 B2	2/2013	Tiedemann, Sr.	
6,671,986 B2	1/2004	Reeves		D677,652 S	3/2013	Gifford	
6,676,674 B1 *	1/2004	Dudai	A61B 17/12	8,413,306 B2 *	4/2013	Gallant	B29C 43/222
			606/151				24/306
6,701,580 B1 *	3/2004	Bandyopadhyay	B65D 63/10	D684,845 S	6/2013	Wood	
			24/16 R	8,453,899 B1	6/2013	Calkin	

8,458,864	B1 *	6/2013	Patton	A61F 5/3792	
				24/16 R	
D693,992	S *	11/2013	Dinunzio	D11/220	
D694,096	S	11/2013	DeFrancisci		
8,590,823	B2	11/2013	Rothbaum et al.		
8,615,849	B2	12/2013	Rothbaum et al.		
D707,831	S	6/2014	Klutts		
D710,969	S	8/2014	Bradford et al.		
D712,295	S *	9/2014	Ennis	D11/3	
D717,132	S	11/2014	Van Dyke		
D718,170	S	11/2014	Aumiller et al.		
8,910,347	B1	12/2014	Wilcox		
D729,045	S *	5/2015	Cavanaugh	D8/356	
D732,933	S *	6/2015	Jansen	D8/356	
D733,525	S *	7/2015	Petzl	D8/349	
D740,106	S *	10/2015	Cooper	D8/356	
9,340,341	B2 *	5/2016	Farrell	B65D 63/14	
9,445,178	B2	9/2016	Rothbaum et al.		
9,445,181	B1	9/2016	Atwater		
9,550,550	B1 *	1/2017	Housman	B63B 27/146	
2001/0013277	A1 *	8/2001	Galkiewicz	A44B 18/0053	
				100/2	
2001/0035242	A1	11/2001	Hughs et al.		
2002/0033271	A1	3/2002	Fritschle et al.		
2002/0065115	A1	5/2002	Lindholm		
2002/0073516	A1	6/2002	Behar		
2002/0078536	A1	6/2002	Martin et al.		
2002/0112323	A1	8/2002	Nire		
2002/0139823	A1	10/2002	Johnson		
2003/0110596	A1 *	6/2003	Graham	B65D 63/1018	
				24/16 R	
2003/0167605	A1 *	9/2003	Schultz	A44B 18/00	
				24/306	
2004/0003487	A1 *	1/2004	Reiter	A41F 1/002	
				24/303	
2004/0167456	A1 *	8/2004	Kingsford	A61B 5/02233	
				602/48	
2005/0016760	A1	1/2005	Vasichek		
2005/0025329	A1	2/2005	Lee		
2005/0067826	A1	3/2005	McFalls et al.		
2005/0251967	A1 *	11/2005	McNeill	B65D 63/1027	
				24/16 PB	
2005/0255898	A1	11/2005	Huang		
2006/0008106	A1	1/2006	Harper		
2006/0032032	A1 *	2/2006	Cheng	F16L 3/23	
				24/306	
2006/0121962	A1	6/2006	Kohli		
2006/0178041	A1	8/2006	Lund et al.		
2006/0186150	A1	8/2006	Willows et al.		
2006/0206986	A1	9/2006	Straiton		
2007/0086617	A1	4/2007	Loh		
2007/0152008	A1	7/2007	Case		
2008/0041897	A1	2/2008	Malhotra		
2008/0083096	A1	4/2008	Wilkinson		
2008/0149679	A1	6/2008	Case et al.		
2008/0164157	A1	7/2008	Sween et al.		
2009/0013504	A1	1/2009	Crespo		
2009/0016559	A1	1/2009	Cleary		
2009/0106948	A1 *	4/2009	Lopez	B65D 63/1018	
				24/16 PB	
2009/0314515	A1	12/2009	Bevirt et al.		
2012/0018250	A1 *	1/2012	Smith	A63B 27/00	
				182/9	
2013/0334385	A1 *	12/2013	Steck	A63B 29/024	
				248/231.9	
2014/0182087	A1 *	7/2014	St. Jean	B60P 7/0823	
				24/298	
2014/0262864	A1 *	9/2014	Rothbaum	H01F 7/0263	
				206/223	
2017/0246632	A1 *	8/2017	Slepian	B01L 3/502746	

JP	2003-230418	A	8/2003
JP	2003-319484	A	11/2003
JP	2006-081130	A	3/2006
JP	2006-222712	A	8/2006
JP	2009-212918	A	9/2009
KR	20-0301311		1/2003
WO	WO 2004/71056	A1	8/2004

OTHER PUBLICATIONS

CJD LLC, International Search Report and Written Opinion, PCT/US2010/031087, dated Apr. 29, 2011, 24 pgs.

Earbud Clips, www.wetjetset.com/store/item/42, printed Jun. 7, 2010, 3 pgs.

Headphone Cable Tidy—Pack of 3—Accessories for PDA, Smartphone www.proporta.com/F02/PPF02P05.php?t_id=4452&t_mode=des . . . printed Jun. 7, 2010, 2 pgs.

Quogue Capital LLC, International Search Report and Written Opinion, PCT/US2009/067927, dated Jul. 14, 2010, 8 pgs.

Rothbaum, International Search Report and Written Opinion, PCT/US2010/053244, dated Jun. 24, 2011, 22 pgs.

Rothbaum, Notice of Allowance, U.S. Appl. No. 29/368,746, dated Dec. 29, 2010, 8 pgs.

Rothbaum, Notice of Allowance, U.S. Appl. No. 29/368,755, dated May 15, 2012, 8 pgs.

Rothbaum, Notice of Allowance, U.S. Appl. No. 29/388,372, dated Jul. 14, 2011, 5 pgs.

Rothbaum, Notice of Allowance, U.S. Appl. No. 29/401,359, dated Nov. 15, 2012, 7 pgs.

Rothbaum, Notice of Allowance, U.S. Appl. No. 29/401,359, dated Mar. 22, 2013, 12 pgs.

Rothbaum, Notice of Allowance, U.S. Appl. No. 29/401,360, dated Sep. 28, 2012, 5 pgs.

Rothbaum, Notice of Allowance, U.S. Appl. No. 29/401,643, dated Sep. 18, 2012, 8 pgs.

Rothbaum, Notice of Allowance, U.S. Appl. No. 29/401,930, dated Nov. 23, 2012, 7 pgs.

Rothbaum, Notice of Allowance, U.S. Appl. No. 29/428,997, dated Feb. 27, 2013, 7 pgs.

Rothbaum, Notice of Allowance, U.S. Appl. No. 29/443,386, dated Aug. 6, 2013, 6 pgs.

Rothbaum, Notice of Allowance, U.S. Appl. No. 29/443,386, dated Nov. 14, 2013, 9 pgs.

Rothbaum, Notice of Allowance, U.S. Appl. No. 29/443,386, dated Feb. 26, 2014, 7 pgs.

Rothbaum, Notice of Allowance, U.S. Appl. No. 29/443,387, dated May 24, 2013, 8 pgs.

Rothbaum, Notice of Allowance, U.S. Appl. No. 29/443,389, dated Aug. 6, 2013, 6 pgs.

Rothbaum, Notice of Allowance, U.S. Appl. No. 29/443,389, dated Nov. 14, 2013, 8 pgs.

Rothbaum, Notice of Allowance, U.S. Appl. No. 29/444,911, dated Jan. 15, 2014, 6 pgs.

Rothbaum, Notice of Allowance, U.S. Appl. No. 29/444,911, dated Sep. 25, 2013, 8 pgs.

Rothbaum, Notice of Allowance, U.S. Appl. No. 29/458,903, dated Nov. 4, 2013, 8 pgs.

Rothbaum, Notice of Allowance, U.S. 29/458,903, dated Feb. 19, 2014, 7 pgs.

Rothbaum, Notice of Allowance, U.S. Appl. No. 29/465,282, dated Feb. 14, 2014, 7 pgs.

Rothbaum, Notice of Allowance, U.S. Appl. No. 29/465,282, dated Oct. 25, 2013, 8 pgs.

Rothbaum, Notice of Allowance, U.S. Appl. No. 29/485,515, dated Jan. 7, 2015, 7 pgs.

Rothbaum, Notice of Allowance, U.S. Appl. No. 29/488,367, dated Jan. 9, 2015, 7 pgs.

Rothbaum, Notice of Allowance, U.S. Appl. No. 29/491,146, dated Jan. 8, 2015, 8 pgs.

Rothbaum, Notice of Allowance, U.S. Appl. No. 29/492,497, dated Jan. 7, 2015, 7 pgs.

Rothbaum, Notice of Allowance, U.S. Appl. No. 29/506,796, dated Apr. 6, 2015, 7 pgs.

FOREIGN PATENT DOCUMENTS

CN	201352845	Y	11/2009
GB	2420552	A	5/2006
JP	63-125493	U	8/1988
JP	11-317995	A	11/1999
JP	2001-169381	A	6/2001

Rothbaum, Notice of Allowance, U.S. Appl. No. 29/519,750, dated Aug. 26, 2015, 8 pgs.
Rothbaum, Notice of Allowance, U.S. Appl. No. 29/519,753, dated Aug. 26, 2015, 7 pgs.
Rothbaum, Office Action, U.S. Appl. No. 29/368,754, dated Jul. 19, 2011, 5 pgs.
Rothbaum, Notice of Allowance, U.S. Appl. No. 29/519,754, dated Oct. 21, 2015, 5 pgs.
Rothbaum, Notice of Allowance, U.S. Appl. No. 29/546,848, dated Nov. 2, 2016, 8 pgs.
Rothbaum, Notice of Allowance, U.S. Appl. No. 29/554,007, dated Nov. 3, 2016, 8 pgs.
Sumajin smartwrap earphone cord manager, www.ilounge.com, Jun. 7, 2010, 3 pgs.
Use magnetic paper clips to keep cords from tangling, Jun. 7, 2010, 5 pgs.

* cited by examiner

Primary Examiner — Cynthia Underwood
(74) *Attorney, Agent, or Firm* — Morgan, Lewis & Bockius LLP

(57) **CLAIM**

The ornamental design for a strap with cord attachment mechanism for a cord management system, as shown and described.

DESCRIPTION

The present application relates to U.S. utility patent application Ser. No. 12/761,326, filed Apr. 15, 2010, U.S. design

Pat. No. D636,659, issued Apr. 26, 2011, U.S. design Pat. No. D667,291, issued Nov. 18, 2012, U.S. design Pat. No. D645,333, issued Sep. 20, 2011, U.S. design Pat. No. D675,505, issued Feb. 5, 2013, U.S. design application Ser. No. 29/401,930, filed Sep. 16, 2011 (D675,904), and U.S. design application Ser. No. 29/401,360, filed Sep. 11, 2011 (D675,905).

FIG. 1 is a perspective view of our new design of a strap with a cord attachment mechanism for a cord management system.

FIG. 2 is another perspective view of FIG. 1.

FIG. 3 is a top view of FIG. 1.

FIG. 4 is a bottom view of FIG. 1.

FIG. 5 is a view of a first side of FIG. 1.

FIG. 6 is a view of a second side of FIG. 1.

FIG. 7 is a view of a third side of FIG. 1.

FIG. 8 is a view of a fourth side of FIG. 1.

FIG. 9 is a perspective view of FIG. 1 provided for illustrative purposes, shown in an alternate configuration of use with an object; and,

FIG. 10 is another perspective view of FIG. 1 provided for illustrative purposes, shown in another alternate configuration of use with an object.

The broken lines represent environment that forms no part of the claim.

1 Claim, 7 Drawing Sheets

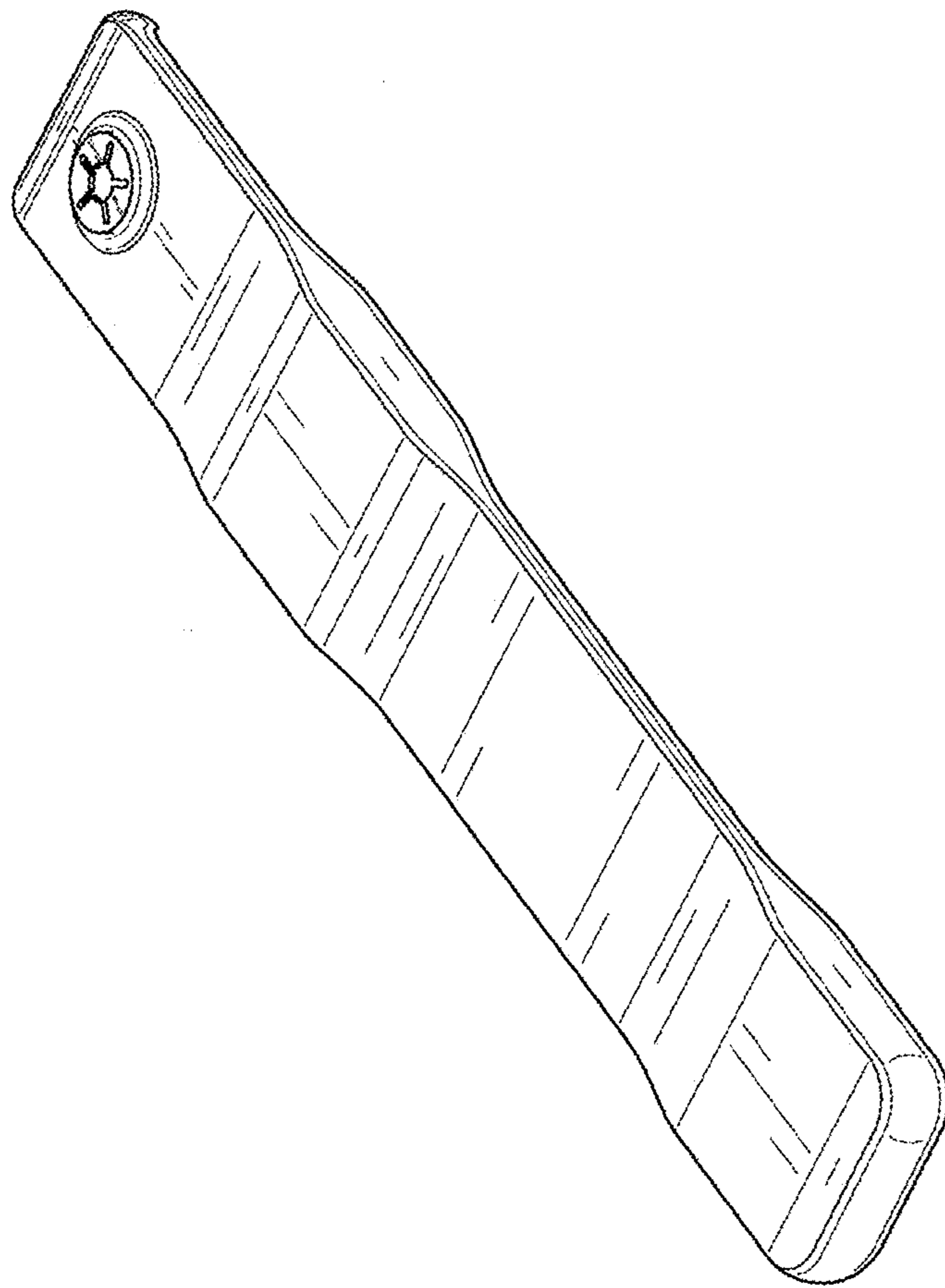


FIG. 1

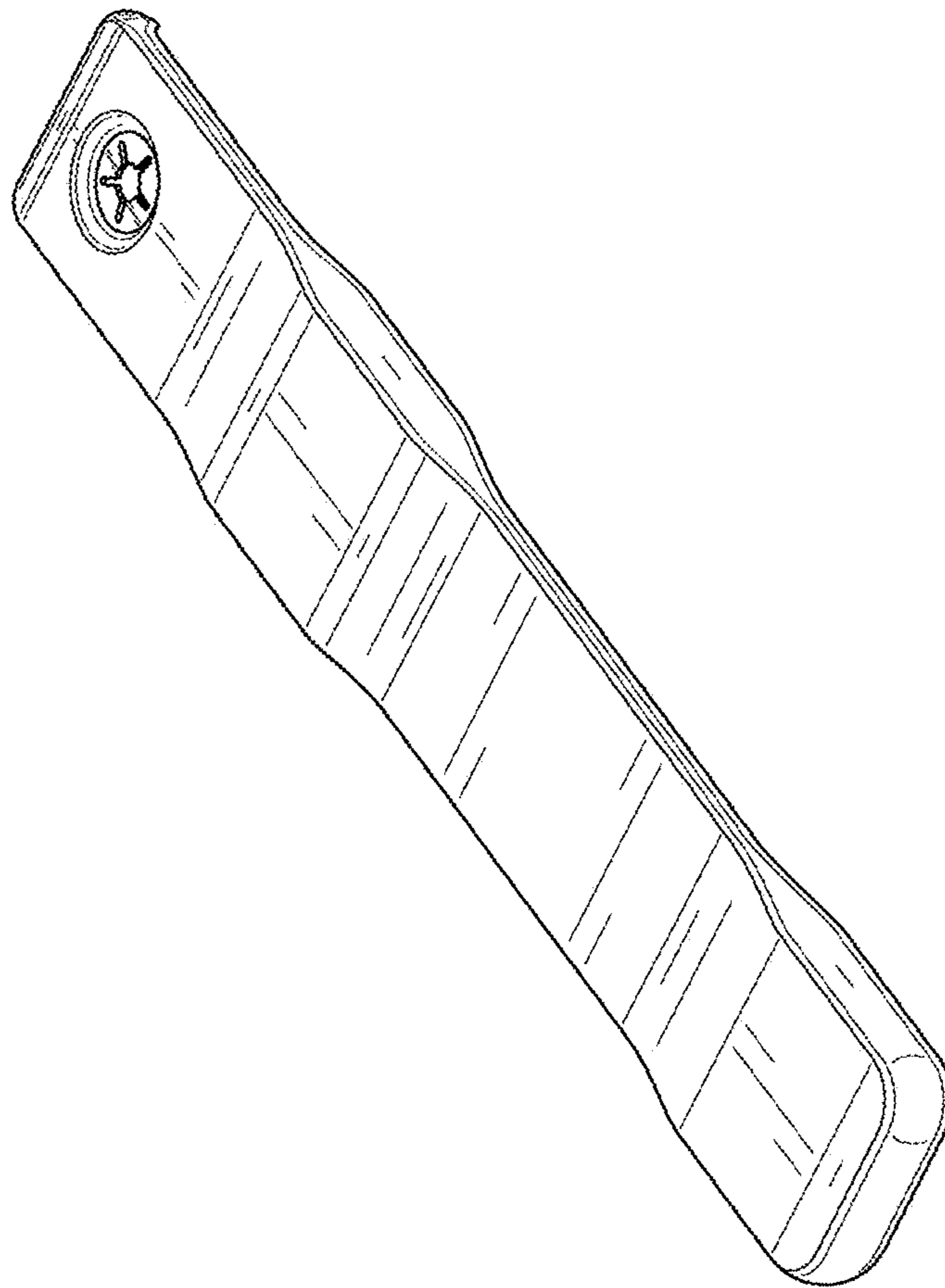


FIG. 2

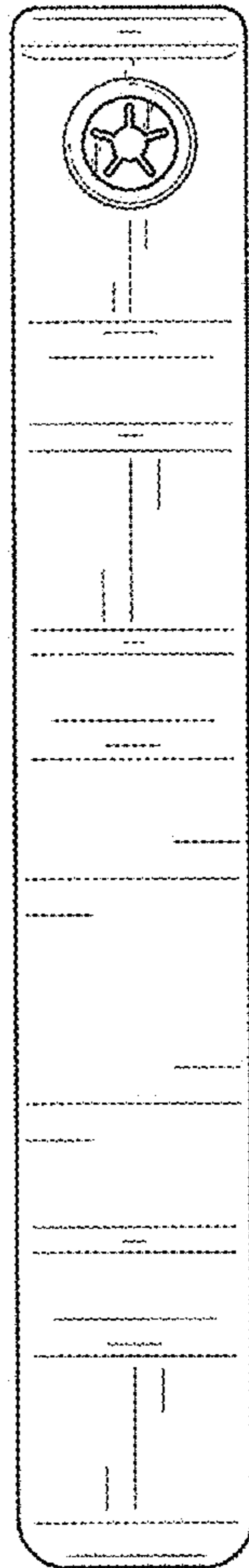


FIG. 3

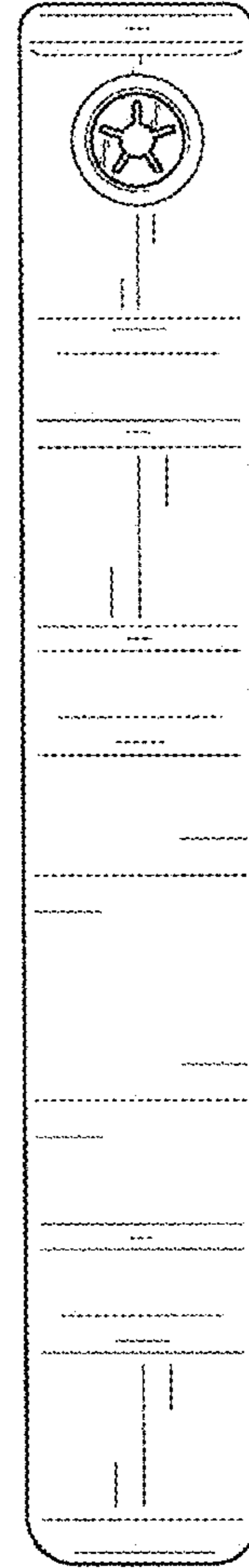


FIG. 4

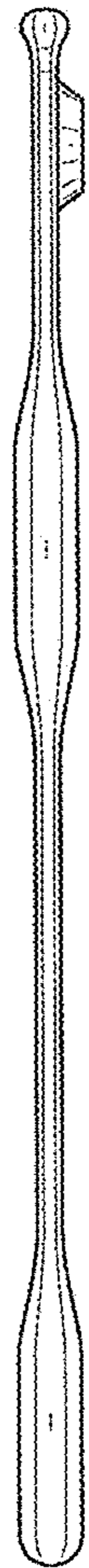


FIG. 5

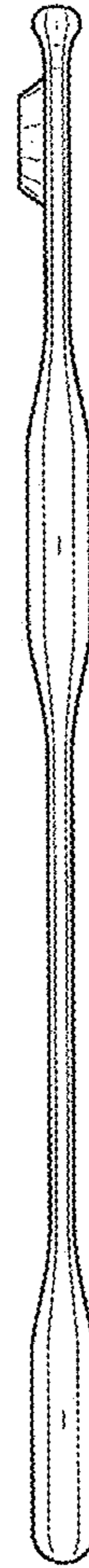


FIG. 6

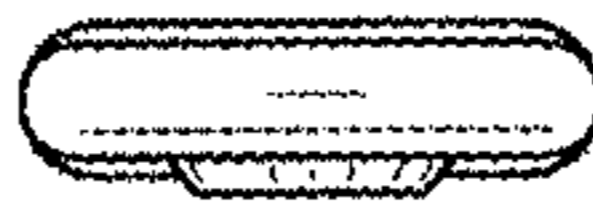


FIG. 7

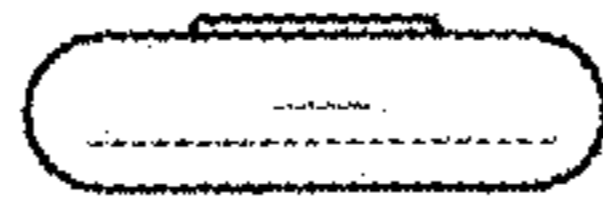


FIG. 8

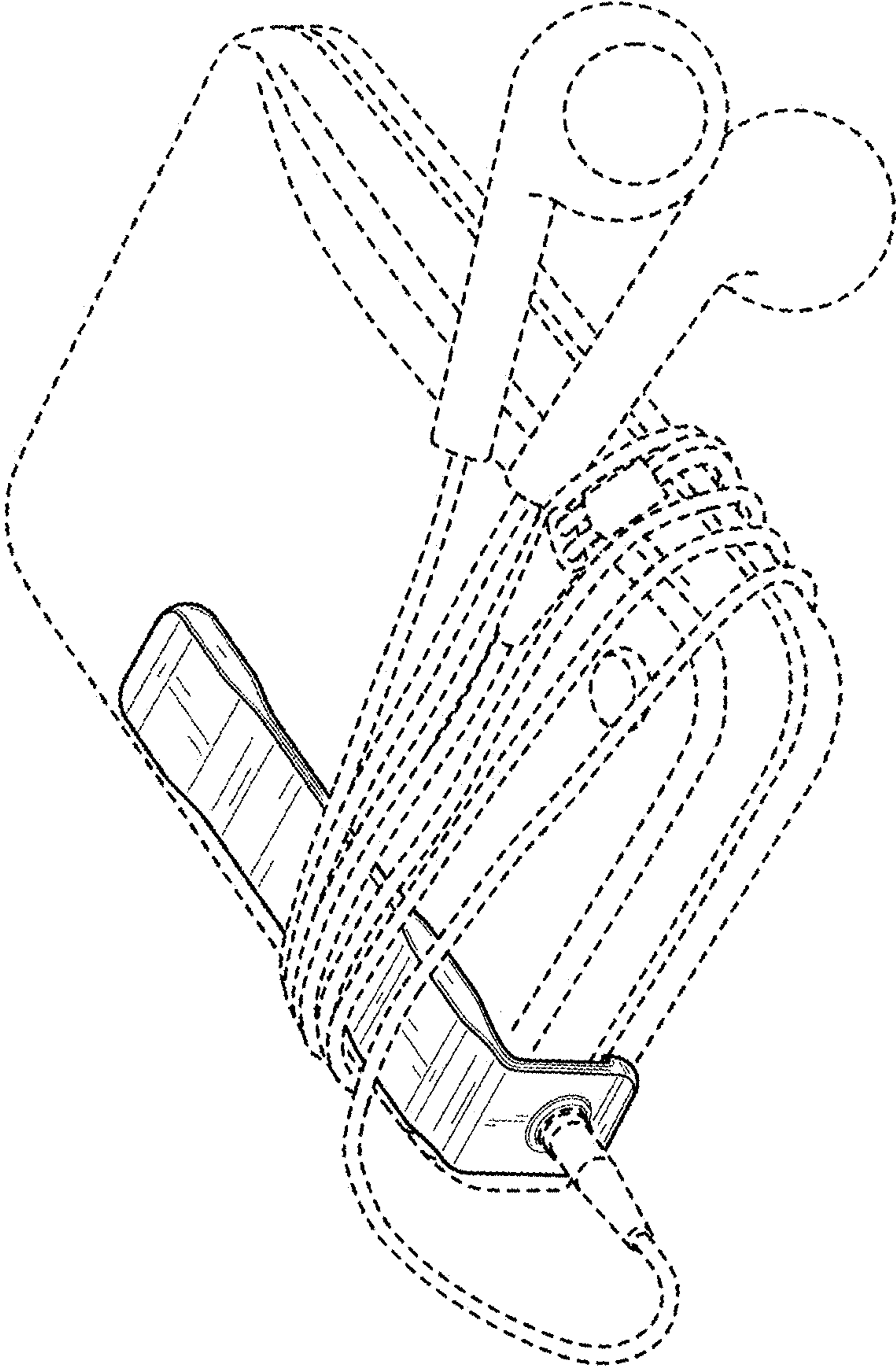


FIG. 9

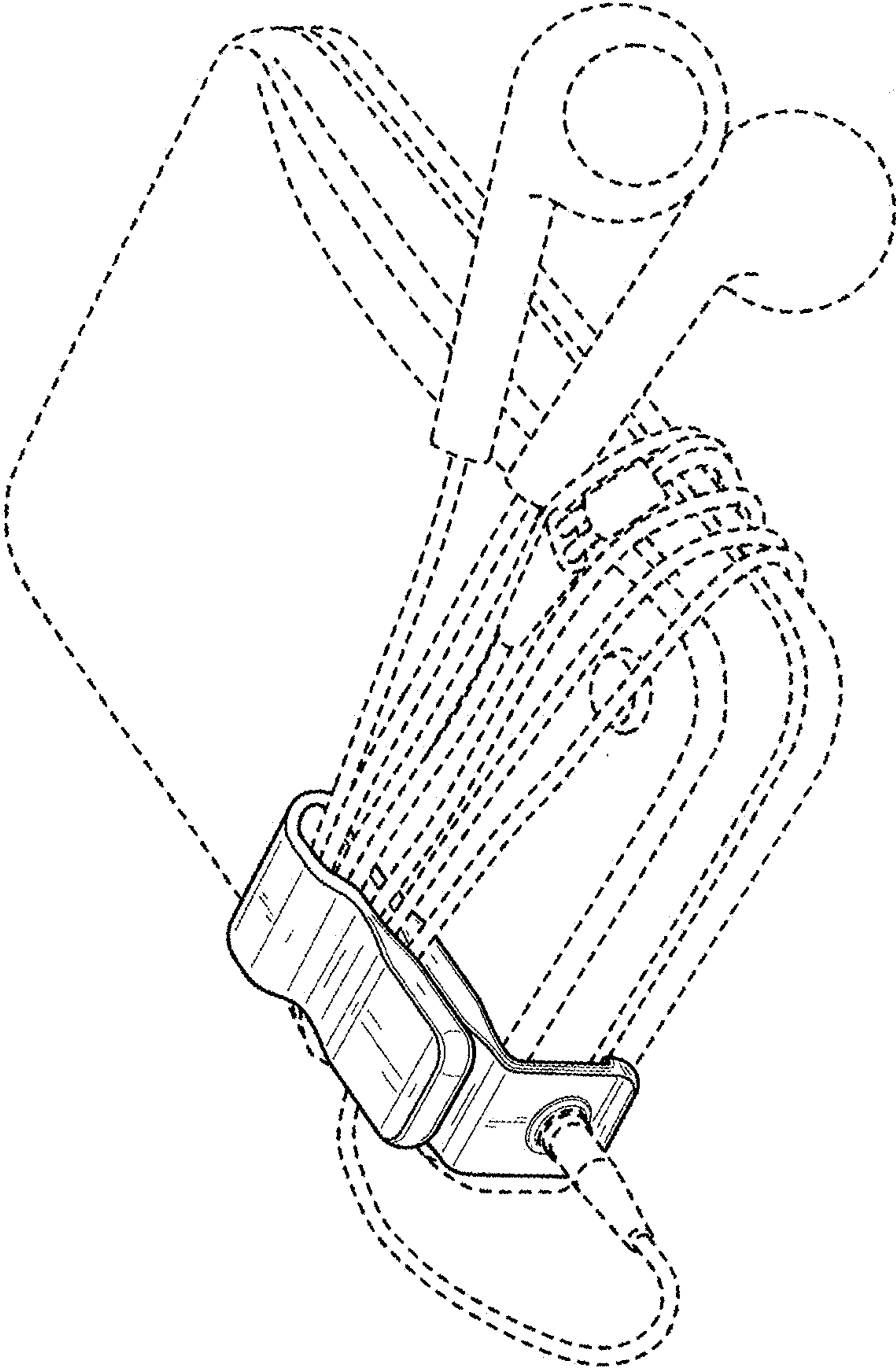


FIG. 10