



US00D808771S

(12) **United States Design Patent**  
**Guerra et al.**

(10) **Patent No.:** **US D808,771 S**  
(45) **Date of Patent:** **\*\* Jan. 30, 2018**

- (54) **SPOOL FOR A ROMAN BLIND SYSTEM**
- (71) Applicant: **Acmeda Pty Ltd**, Broadmeadows VIC (AU)
- (72) Inventors: **Alirio E. Guerra**, Mill Park (AU);  
**Dean John Jay**, Gladstone Park (AU)
- (73) Assignee: **Acmeda Pty Ltd**, Broadmeadows VIC (AU)

6,637,924 B2 \* 10/2003 Pelka ..... F21S 48/2237  
362/327  
D490,294 S \* 5/2004 Dayan ..... D8/354  
D574,094 S \* 7/2008 Kitagawa ..... D26/3  
D577,138 S \* 9/2008 Kitagawa ..... D26/37  
D639,098 S \* 6/2011 Bosgoed ..... D6/580  
D650,623 S \* 12/2011 Di Stefano ..... D6/580  
D675,854 S \* 2/2013 Licciardi Di Stefano ..... D6/580  
2004/0144501 A1 7/2004 Oskam et al.  
2006/0042763 A1 3/2006 Le Ru

- (\*\*) Term: **15 Years**
- (21) Appl. No.: **29/536,817**
- (22) Filed: **Aug. 19, 2015**

**FOREIGN PATENT DOCUMENTS**

CN 203584275 5/2014

\* cited by examiner

*Primary Examiner* — Robert M. Spear  
*Assistant Examiner* — Eliza Z Bennett-Hattan  
 (74) *Attorney, Agent, or Firm* — Head, Johnson, Kachigian & Wilkinson, PC

- (30) **Foreign Application Priority Data**  
Feb. 20, 2015 (AU) ..... 201510928
- (51) **LOC (11) Cl.** ..... **08-05**
- (52) **U.S. Cl.**  
USPC ..... **D8/356**
- (58) **Field of Classification Search**  
USPC ..... D8/376, 355, 363, 349, 677, 356;  
D6/576, 580  
CPC .. E06B 2009/3225; E06B 9/304; E06B 9/308;  
E06B 2009/3227; E06B 9/60; E06B 9/17;  
E06B 9/34; E06B 9/44; Y10S 160/17;  
Y10S 160/901; B60J 1/205; B60J 1/2069;  
B66D 1/39; A47H 5/06  
See application file for complete search history.

(57) **CLAIM**

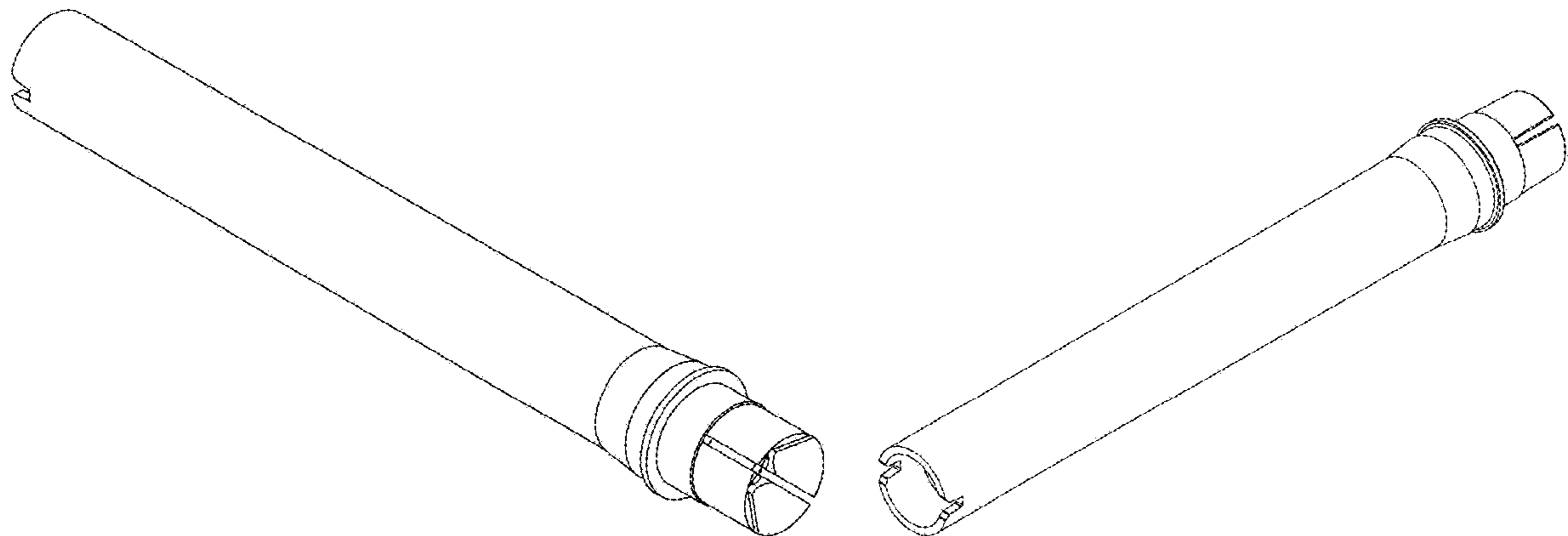
The ornamental design for a spool for a roman blind system, as shown and described.

**DESCRIPTION**

FIG. 1 is a top view of the spool for a roman blind system of the present invention;  
 FIG. 2 is a front view thereof;  
 FIG. 3 is a bottom view thereof;  
 FIG. 4 is a back view thereof;  
 FIG. 5 is a left side view thereof;  
 FIG. 6 is a right side view thereof;  
 FIG. 7 is a perspective front view thereof; and,  
 FIG. 8 is a perspective rear view thereof.  
 The broken lines in the drawings depict environmental subject matter only and form no part of the claimed design.

- (56) **References Cited**  
U.S. PATENT DOCUMENTS  
2,620,866 A \* 12/1952 Rosenbaum ..... E06B 9/305  
160/177 R  
6,308,764 B1 \* 10/2001 Lin ..... E06B 9/322  
160/177 R

**1 Claim, 6 Drawing Sheets**



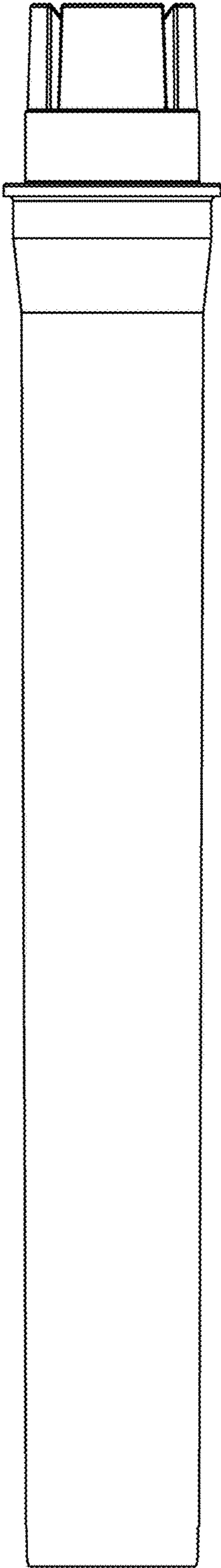


FIGURE 1

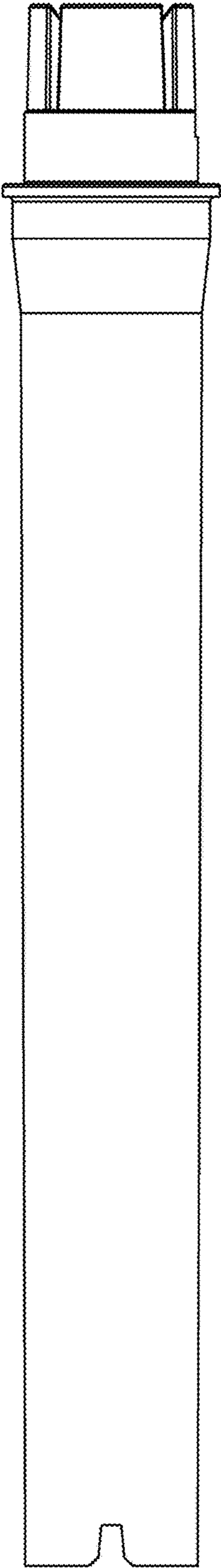


FIGURE 2

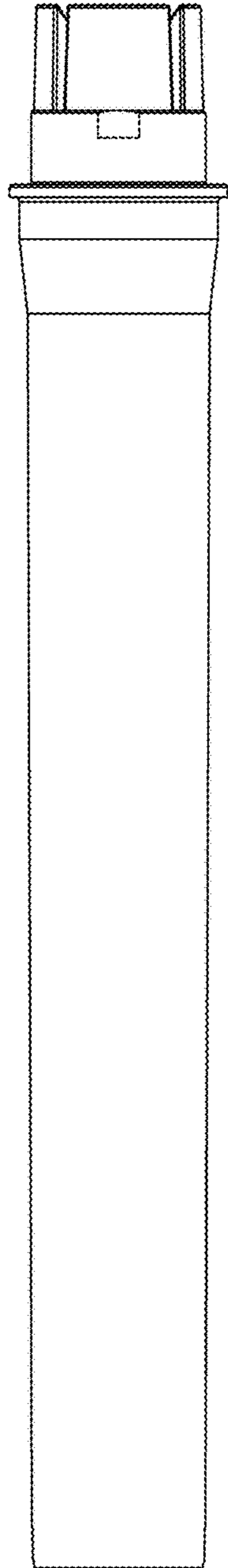


FIGURE 3

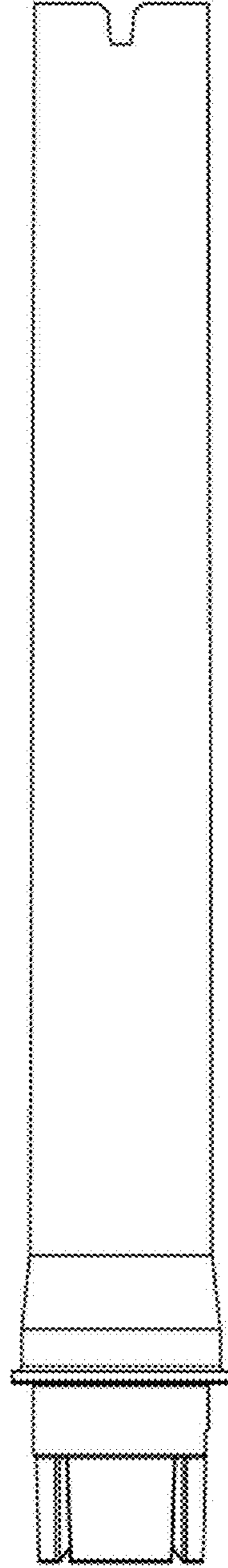


FIGURE 4

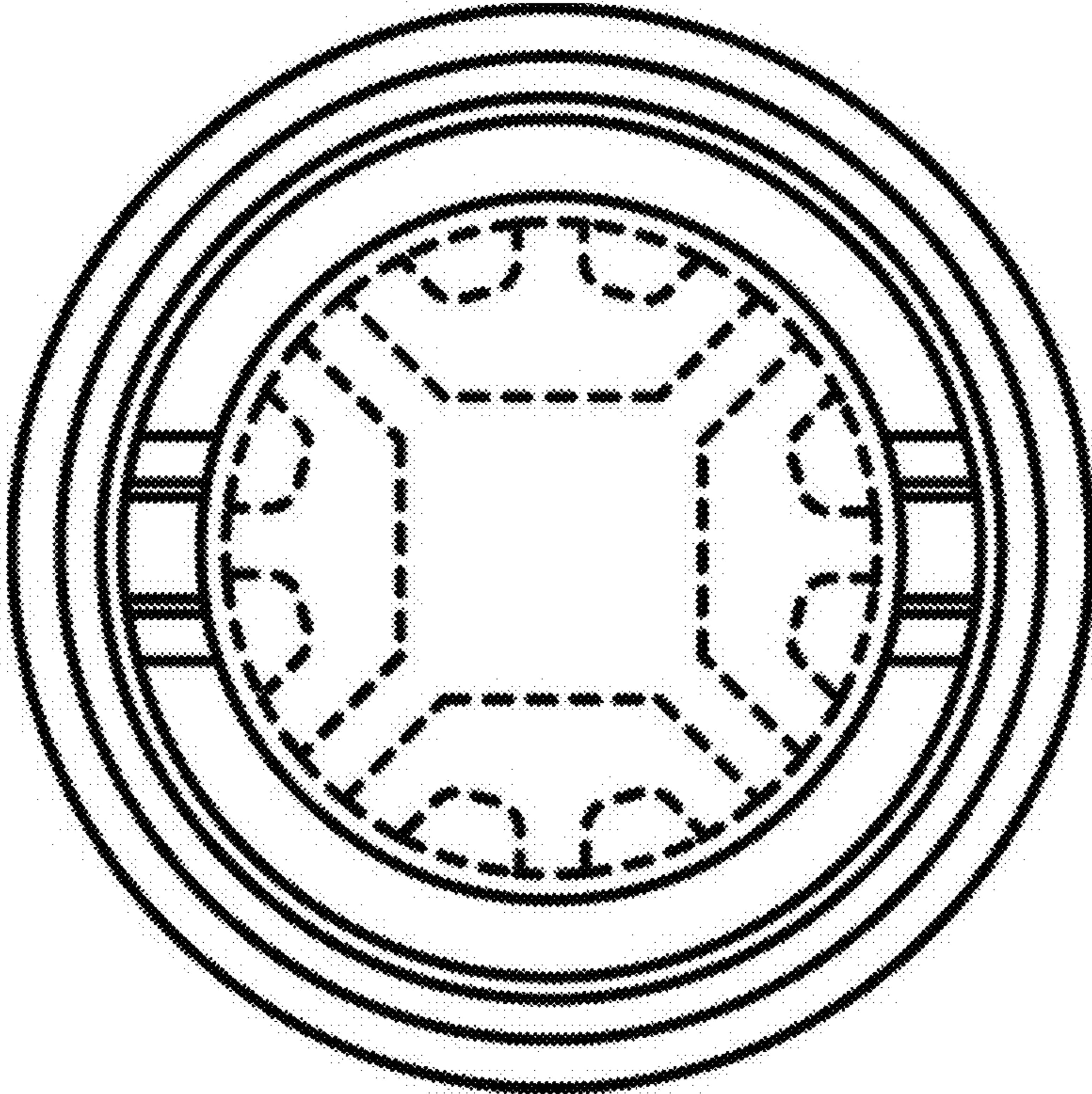


FIGURE 5

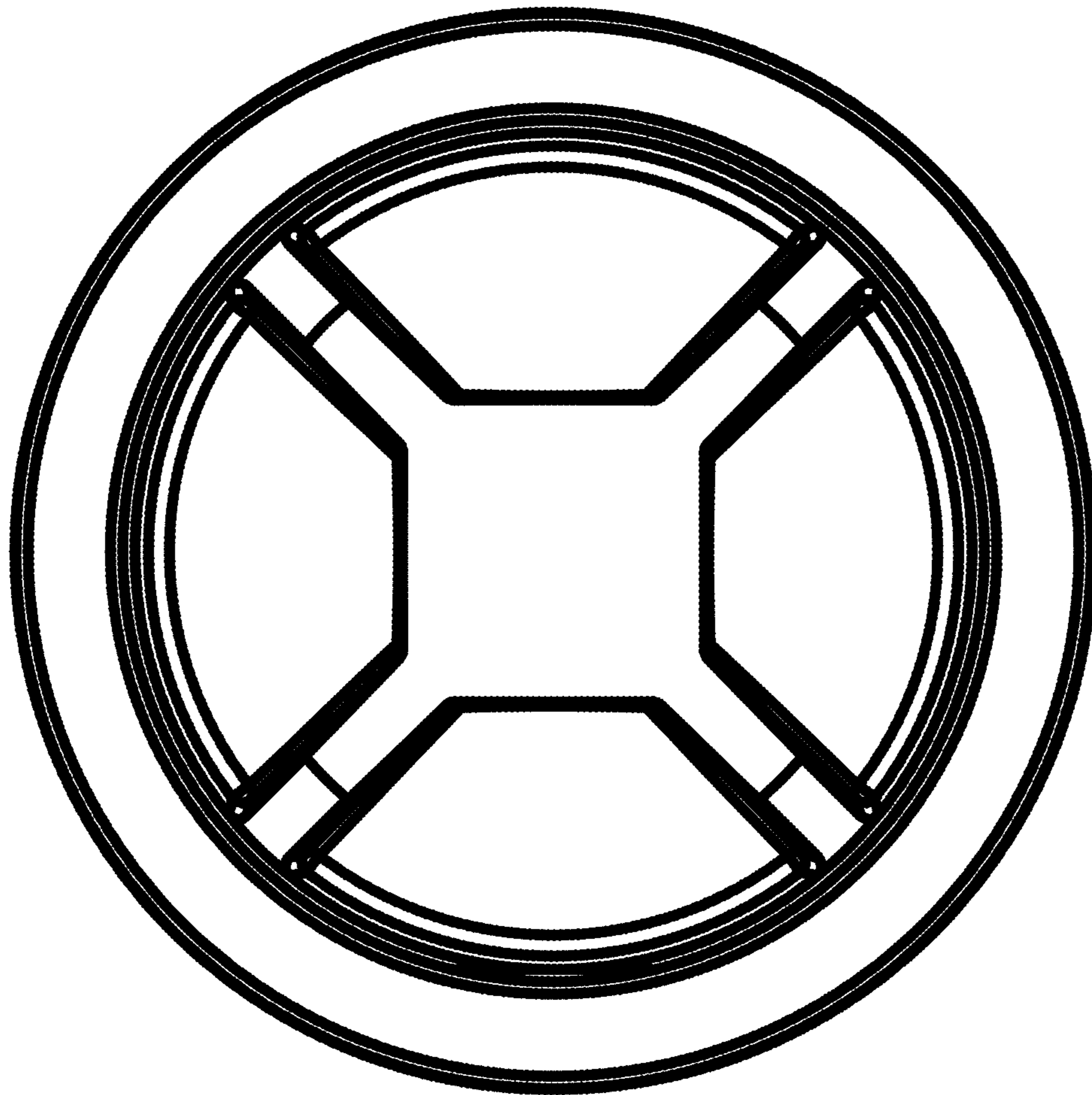


FIGURE 6

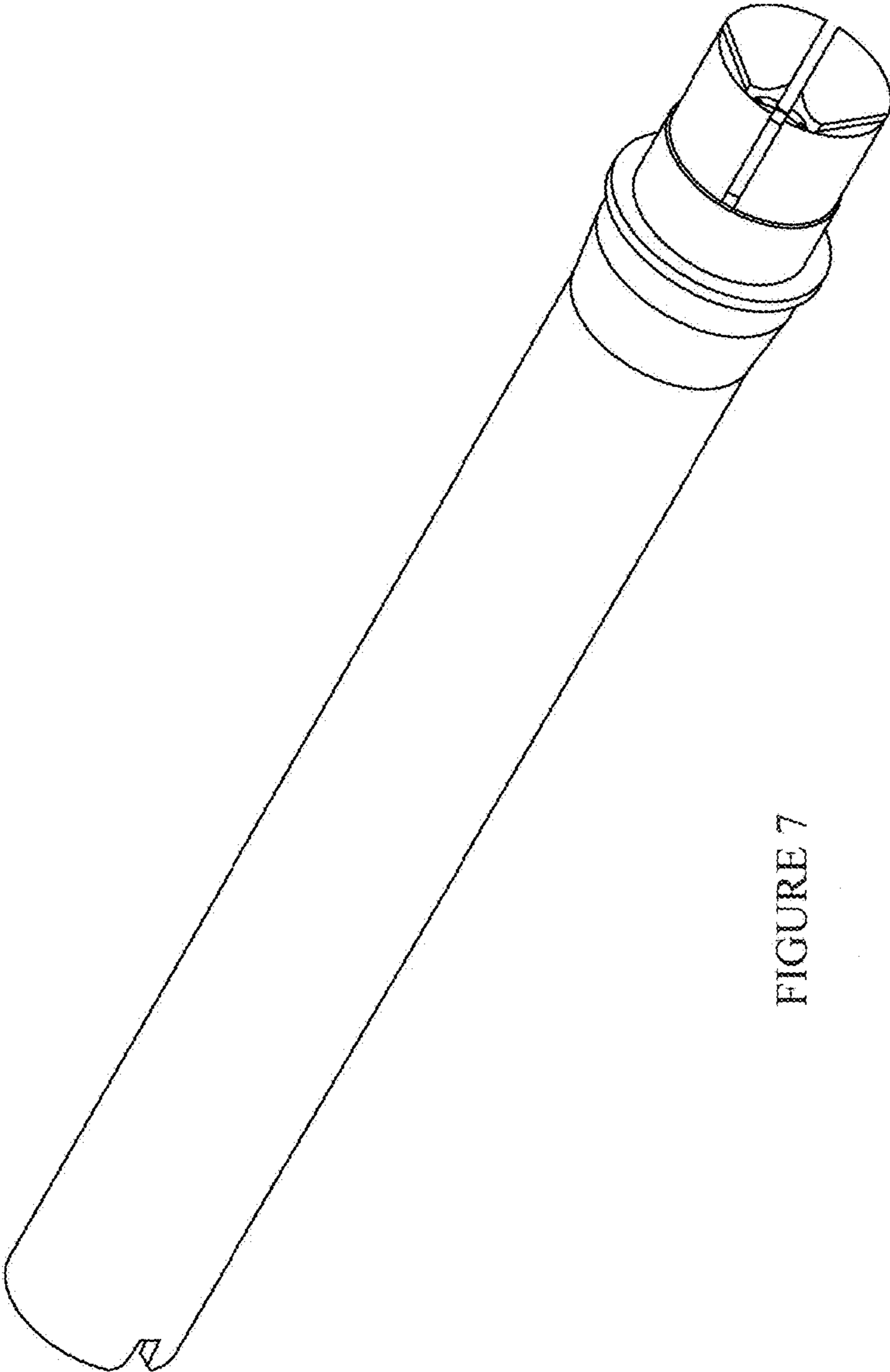


FIGURE 7

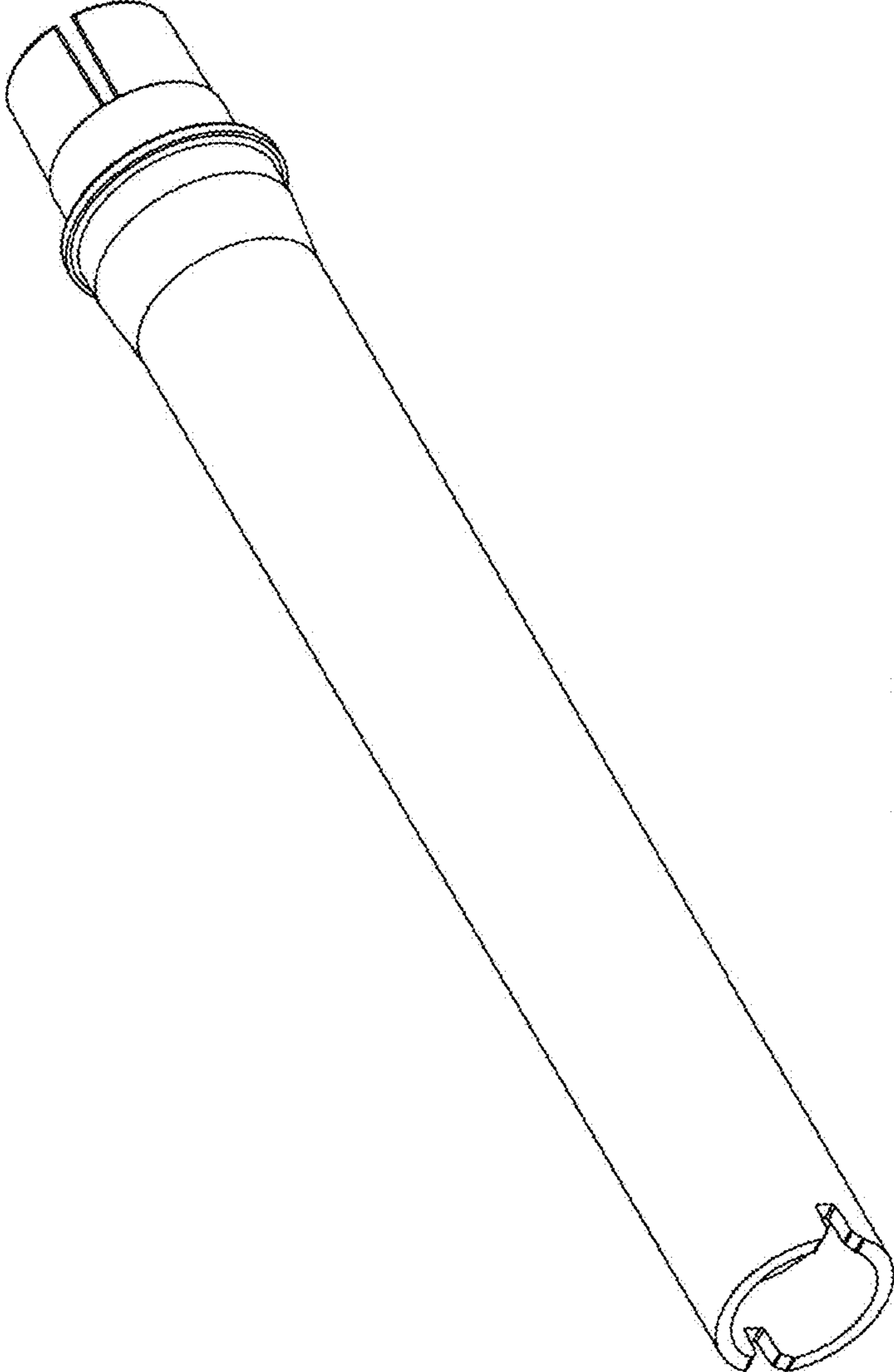


FIGURE 8