



US00D808770S

(12) **United States Design Patent**
Cook et al.

(10) **Patent No.:** **US D808,770 S**
(45) **Date of Patent:** **** Jan. 30, 2018**

(54) **INTERFACE MOUNT**

- (71) Applicant: **Burriss Company, Inc.**, Greeley, CO (US)
- (72) Inventors: **Kirk Cook**, Lyons, CO (US); **George Farca**, Golden, CO (US); **Michael O'Donnell**, Wellington, CO (US); **Steven A. Bennetts**, Greeley, CO (US)
- (73) Assignee: **BURRIS COMPANY, INC.**, Greeley, CO (US)
- (**) Term: **14 Years**
- (21) Appl. No.: **29/518,493**
- (22) Filed: **Feb. 24, 2015**
- (51) **LOC (11) Cl.** **08-05**
- (52) **U.S. Cl.**
USPC **D8/354**
- (58) **Field of Classification Search**
USPC D22/109, 110; 42/124; 89/41.17;
D8/354, 349, 352
CPC F41G 11/003; F41G 11/002
See application file for complete search history.

(56) **References Cited**

U.S. PATENT DOCUMENTS

- D351,449 S * 10/1994 Dagley D22/109
- D732,631 S * 6/2015 Cheng D22/109
- D732,632 S * 6/2015 Cheng D22/109
- D732,634 S * 6/2015 Cheng D22/109

(Continued)

OTHER PUBLICATIONS

“AR-1X”, Burriss Company, Inc., retrieved from <http://www.burrisoptics.com/sights/ar-sights-series/ar-1x> on Jul. 8, 2015, 5 pages.

(Continued)

Primary Examiner — Lakiya Rogers
Assistant Examiner — Harold E Blackwell, II

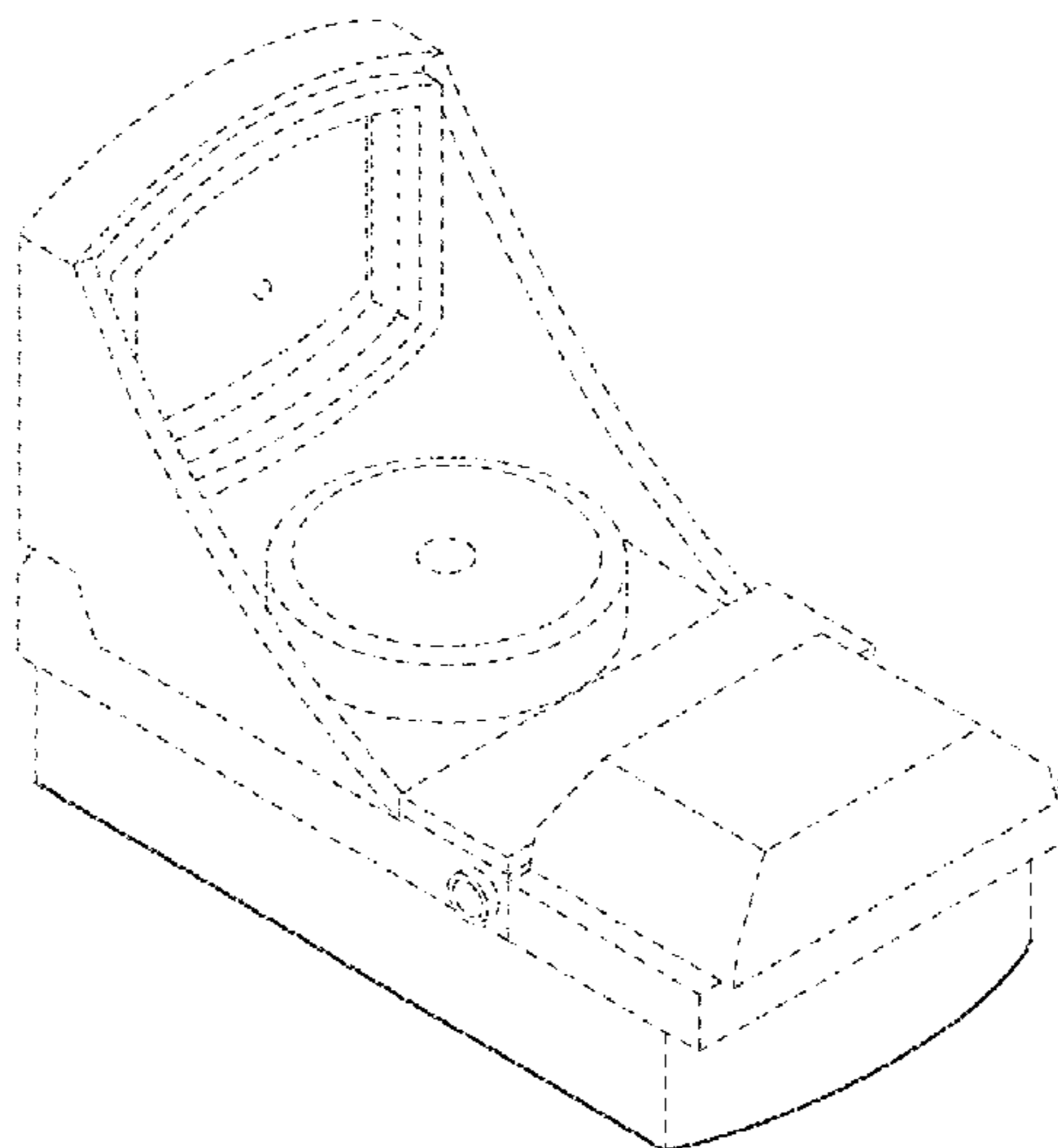
(57) **CLAIM**

The ornamental design for an interface mount, as shown and described.

DESCRIPTION

FIG. 1 is a perspective view of a first embodiment of an interface mount showing our new design having post elements in a first position.
 FIG. 2 is a front elevation view of the interface mount of FIG. 1.
 FIG. 3 is a rear elevation view of the interface mount of FIG. 1.
 FIG. 4 is a right elevation view of the interface mount of FIG. 1.
 FIG. 5 is a left elevation view of the interface mount of FIG. 1.
 FIG. 6 is a top plan view of the interface mount of FIG. 1.
 FIG. 7 is a bottom plan view of the interface mount of FIG. 1.
 FIG. 8 is a perspective view of the interface mount of FIG. 1 with the post elements in a second position.
 FIG. 9 is a front elevation view of the interface mount of FIG. 8.
 FIG. 10 is a rear elevation view of the interface mount of FIG. 8.
 FIG. 11 is a right elevation view of the interface mount of FIG. 8.
 FIG. 12 is a left elevation view of the interface mount of FIG. 8.
 FIG. 13 is a top plan view of the interface mount of FIG. 8; and,
 FIG. 14 is a bottom plan view of the interface mount of FIG. 8.
 The broken lines depict environmental or unclaimed portions of the interface mount that form no part of the claimed design.

1 Claim, 10 Drawing Sheets



(56)

References Cited

U.S. PATENT DOCUMENTS

9,417,034 B1 * 8/2016 Swan F41G 11/008
2017/0059277 A1 * 3/2017 Justice F41G 11/003
2017/0082402 A1 * 3/2017 Zimmer F41G 11/001

OTHER PUBLICATIONS

“AR-332”, Burriss Company, Inc., retrieved from <http://www.burrisoptics.com/sights/ar-sights-series/ar-332> on Jul. 8, 2015, 8 pages.

“AR-536”, Burriss Company, Inc., retrieved from <http://www.burrisoptics.com/sights/ar-sights-series/ar-536> on Jul. 8, 2015, 8 pages.

“AR-F3 Mount”, Burriss Company, Inc., retrieved from <http://www.burrisoptics.com/mounting-systems/mounts-and-bases/ar-f3-mount> on Jul. 8, 2015, 2 pages.

“FastFire 2”, Burriss Company, Inc., retrieved from <http://www.burrisoptics.com/sights/fastfire-series/fastfire-2> on Jul. 8, 2015, 6 pages.

“FastFire 3”, Burriss Company, Inc., retrieved from <http://www.burrisoptics.com/sights/fastfire-series/fastfire-3> on Jul. 8, 2015, 9 pages.

“FastFire Mounts”, Burriss Company, Inc., retrieved from <http://www.burrisoptics.com/mounting-systems/mounts-and-bases/fastfire-mounts> on Jul. 8, 2015, 2 pages.

“Picatinny Protector Mount”, Burriss Company, Inc., retrieved from <http://www.burrisoptics.com/mounting-systems/mounts-and-bases/picatinny-protector-mount> on Jul. 8, 2015, 2 pages.

“Scope Tube FastFire Mount”, Burriss Company, Inc., retrieved from <http://www.burrisoptics.com/mounting-systems/mounts-and-bases/scope-tube-fastfire-mounts> on Jul. 8, 2015, 2 pages.

“SpeedBead Mounts”, Burriss Company, Inc., retrieved from <http://www.burrisoptics.com/mounting-systems/mounts-and-bases/speedbead-mounts> on Jul. 8, 2015, 3 pages.

“Trumount Universal Bases”, Burriss Company, Inc., retrieved from <http://www.burrisoptics.com/mounting-systems/mounts-and-bases/trumount-universal-bases> on Jul. 8, 2015, 2 pages.

“Xtreme Tactical Bases”, Burriss Company, Inc., retrieved from <http://www.burrisoptics.com/mounting-systems/mounts-and-bases/xtreme-tactical-bases> on Jul. 8, 2015, 2 pages.

* cited by examiner

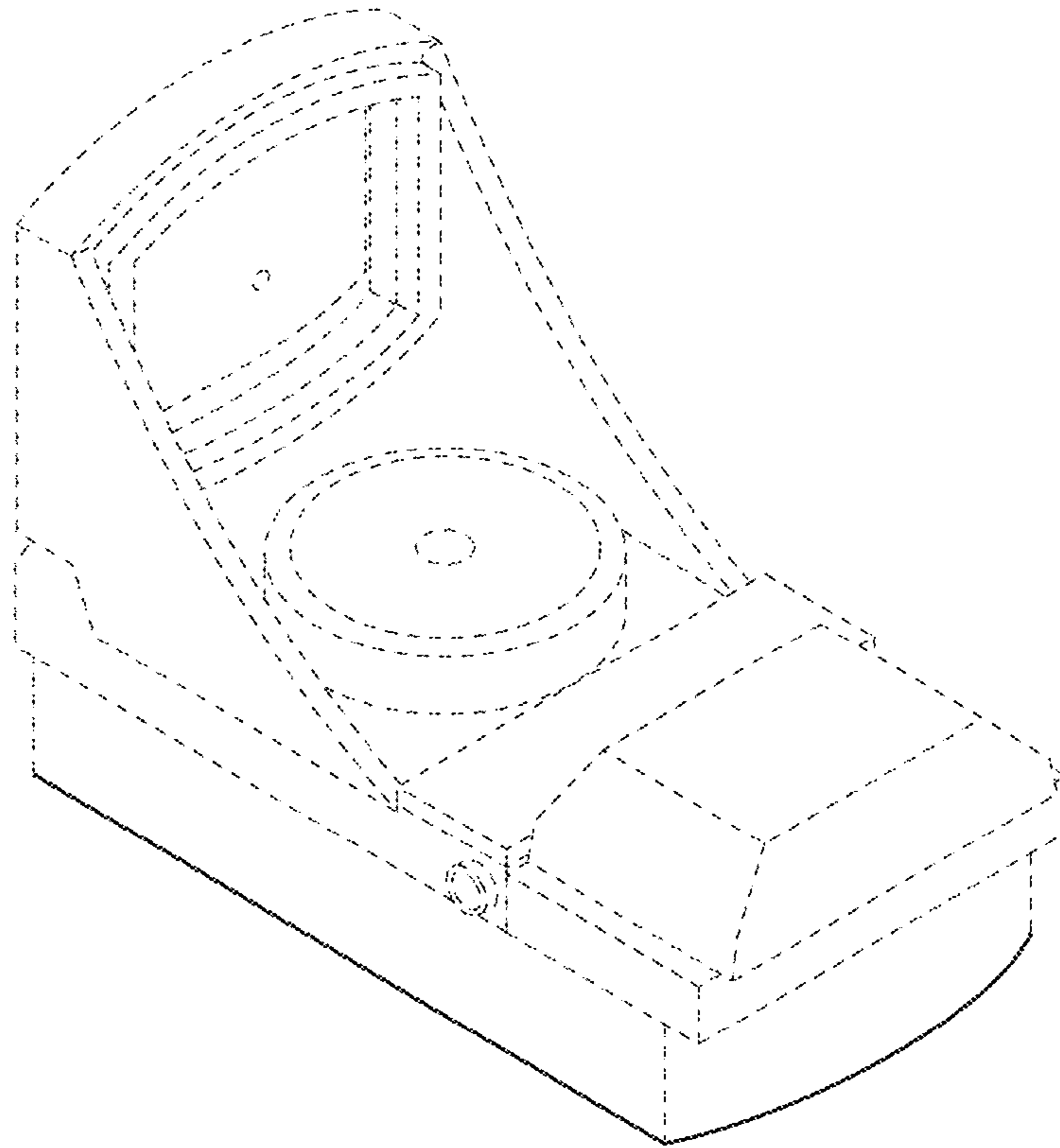


FIG.1

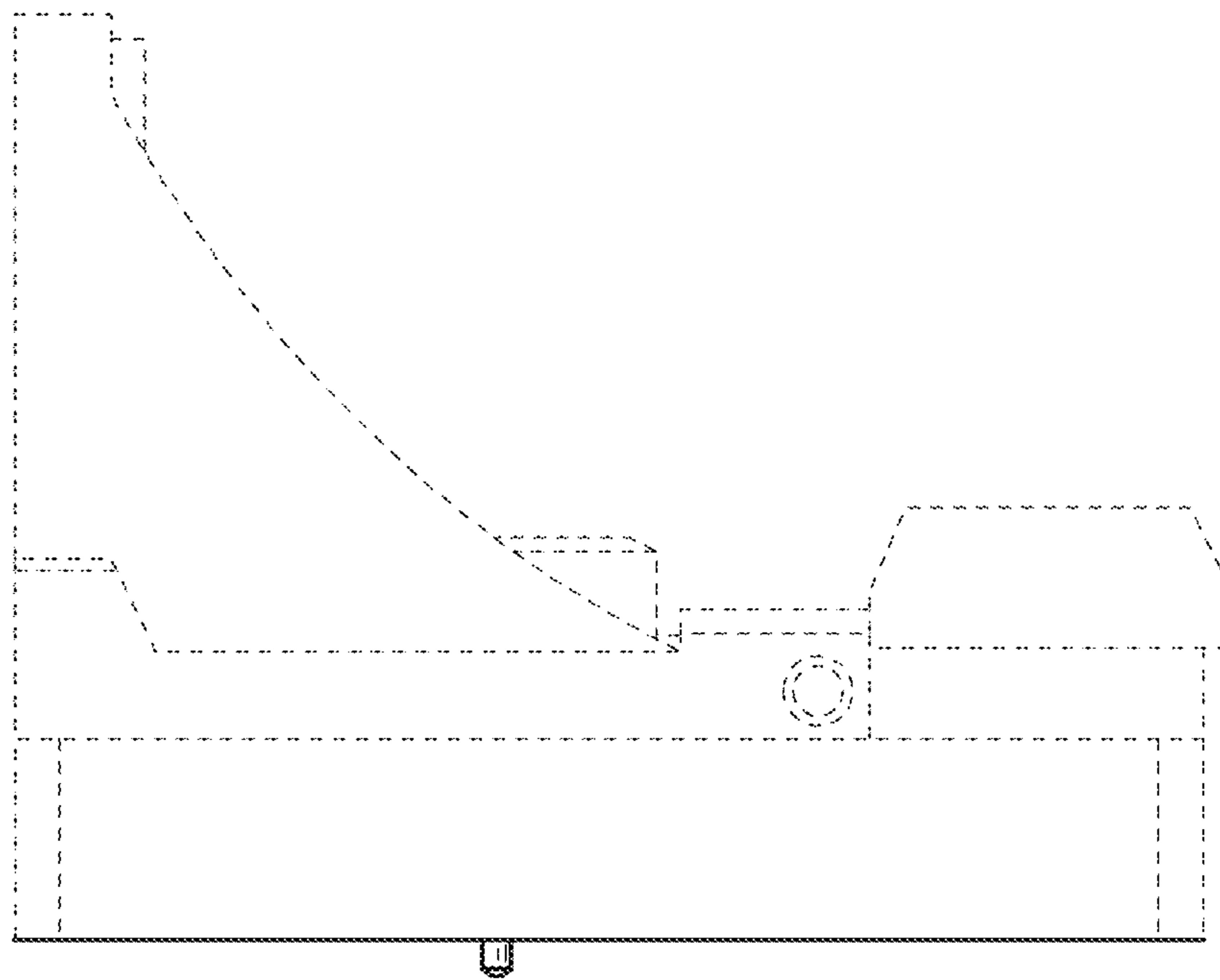


FIG.2

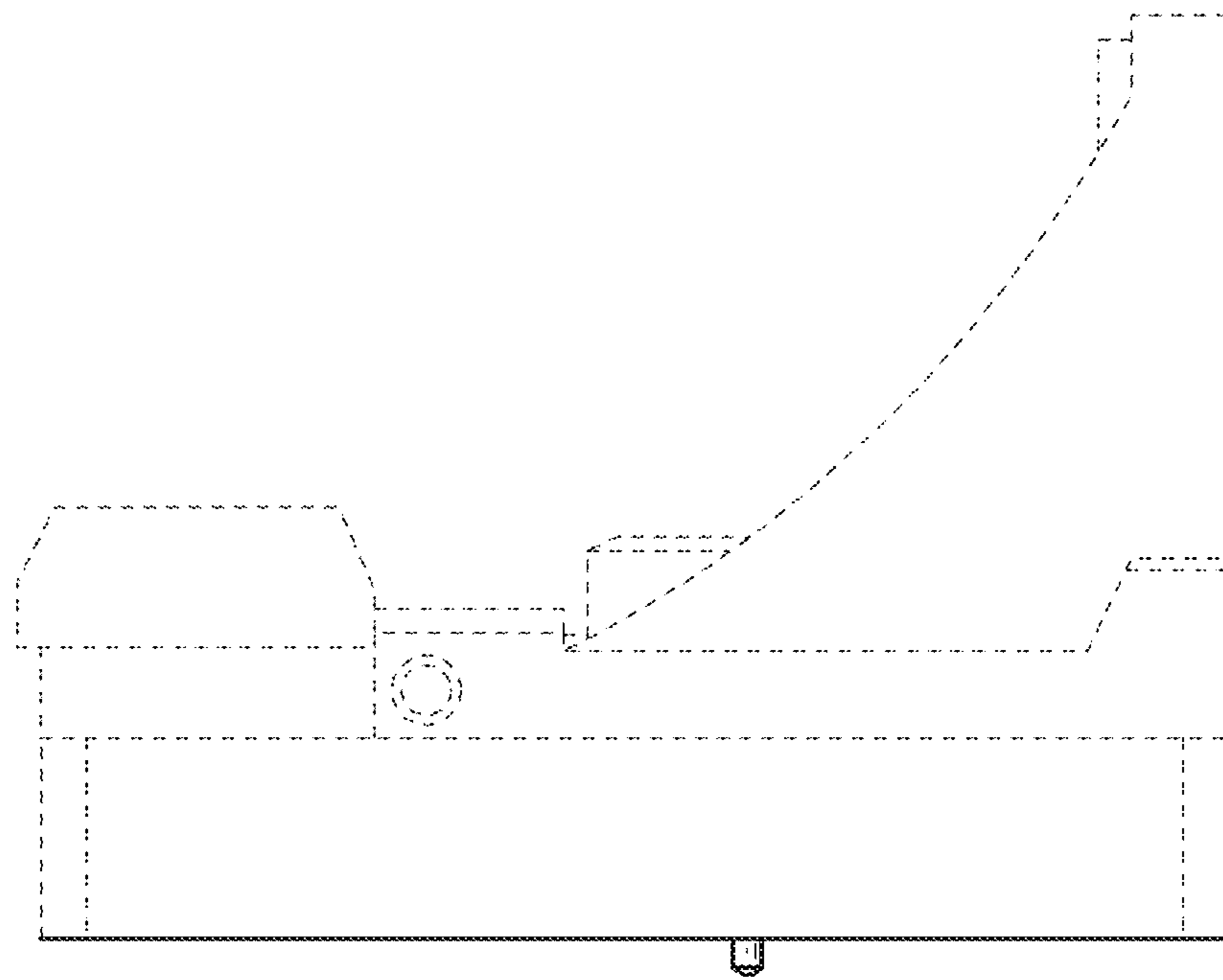


FIG.3

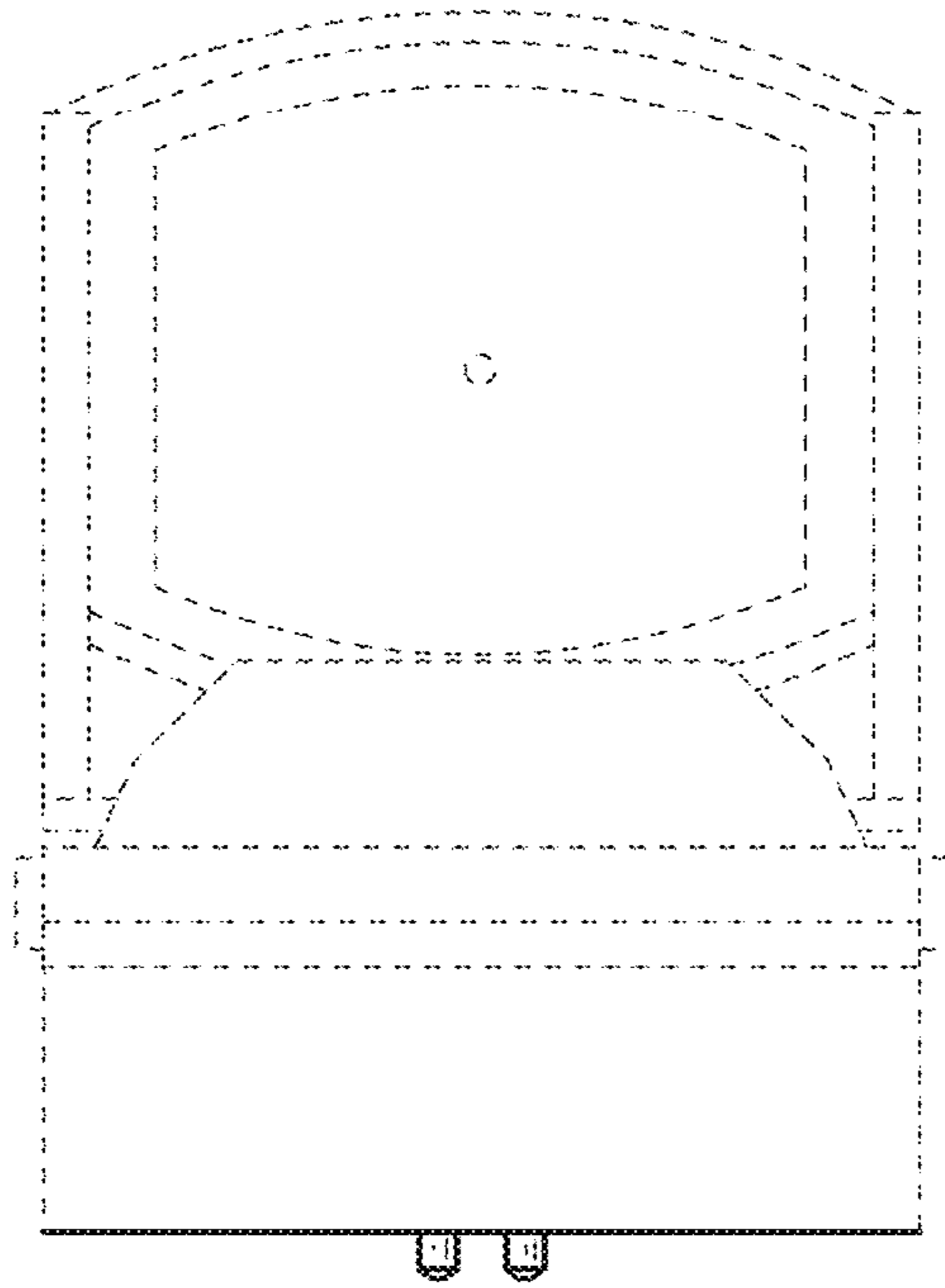


FIG.4

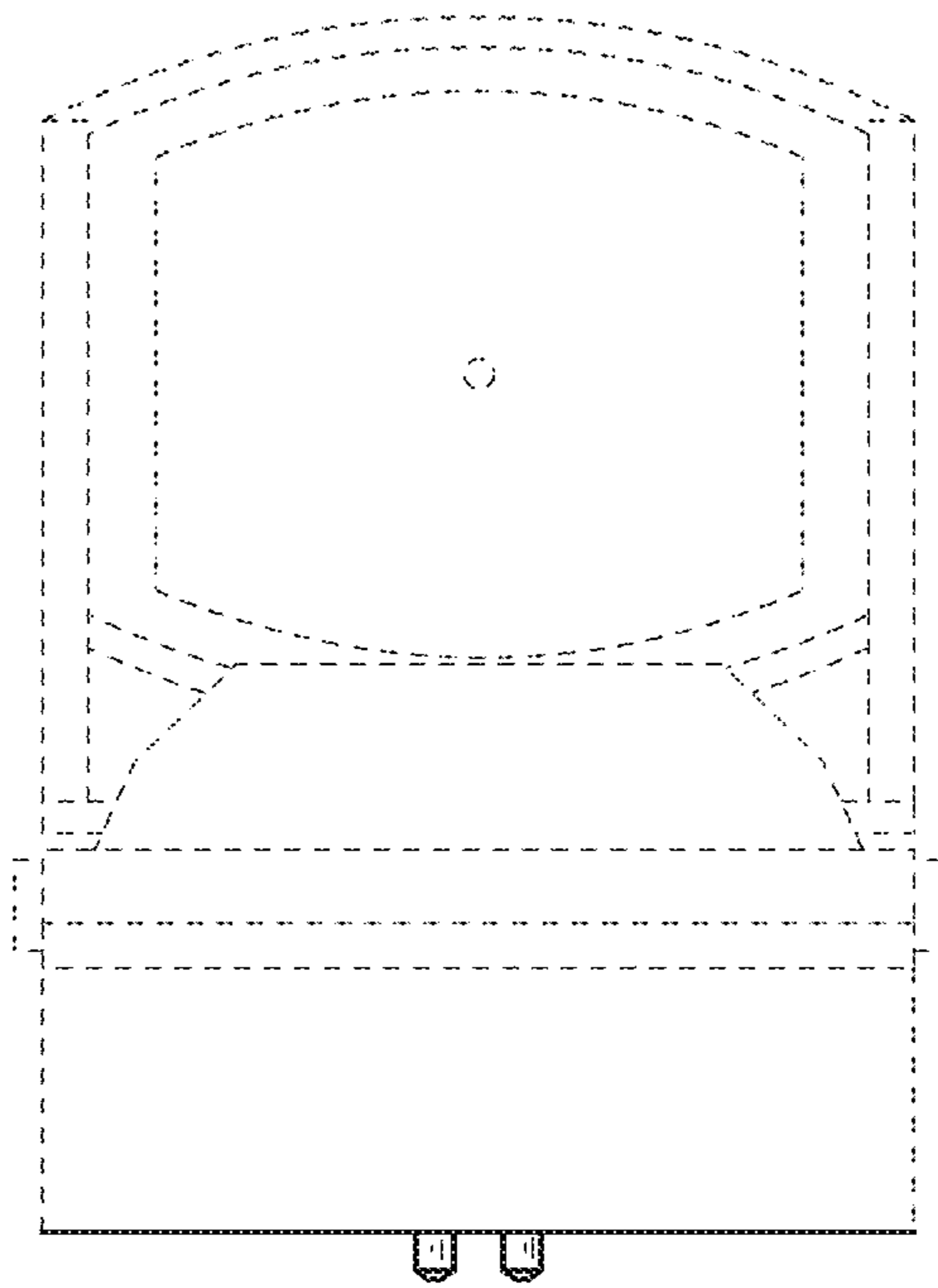


FIG.5

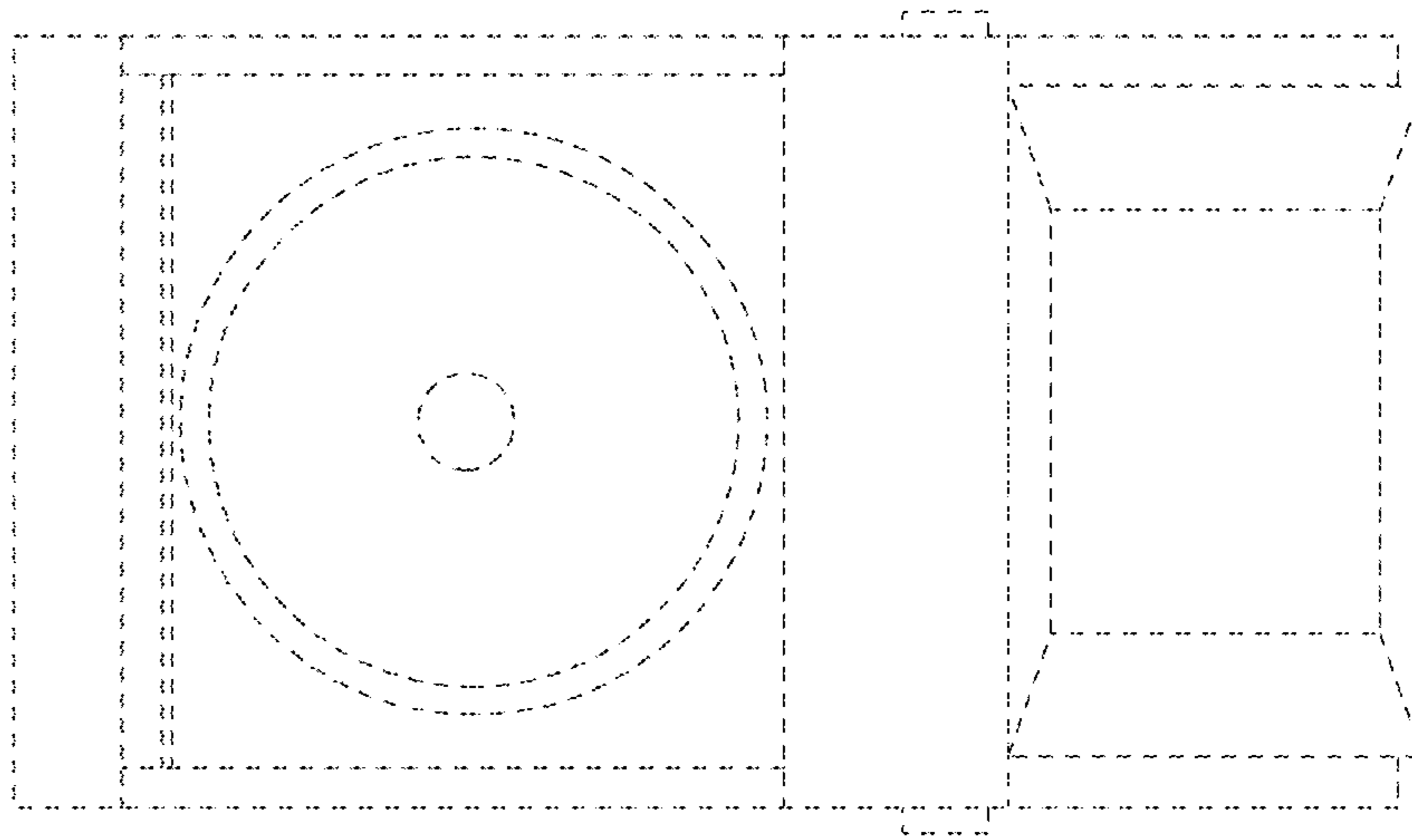


FIG. 6

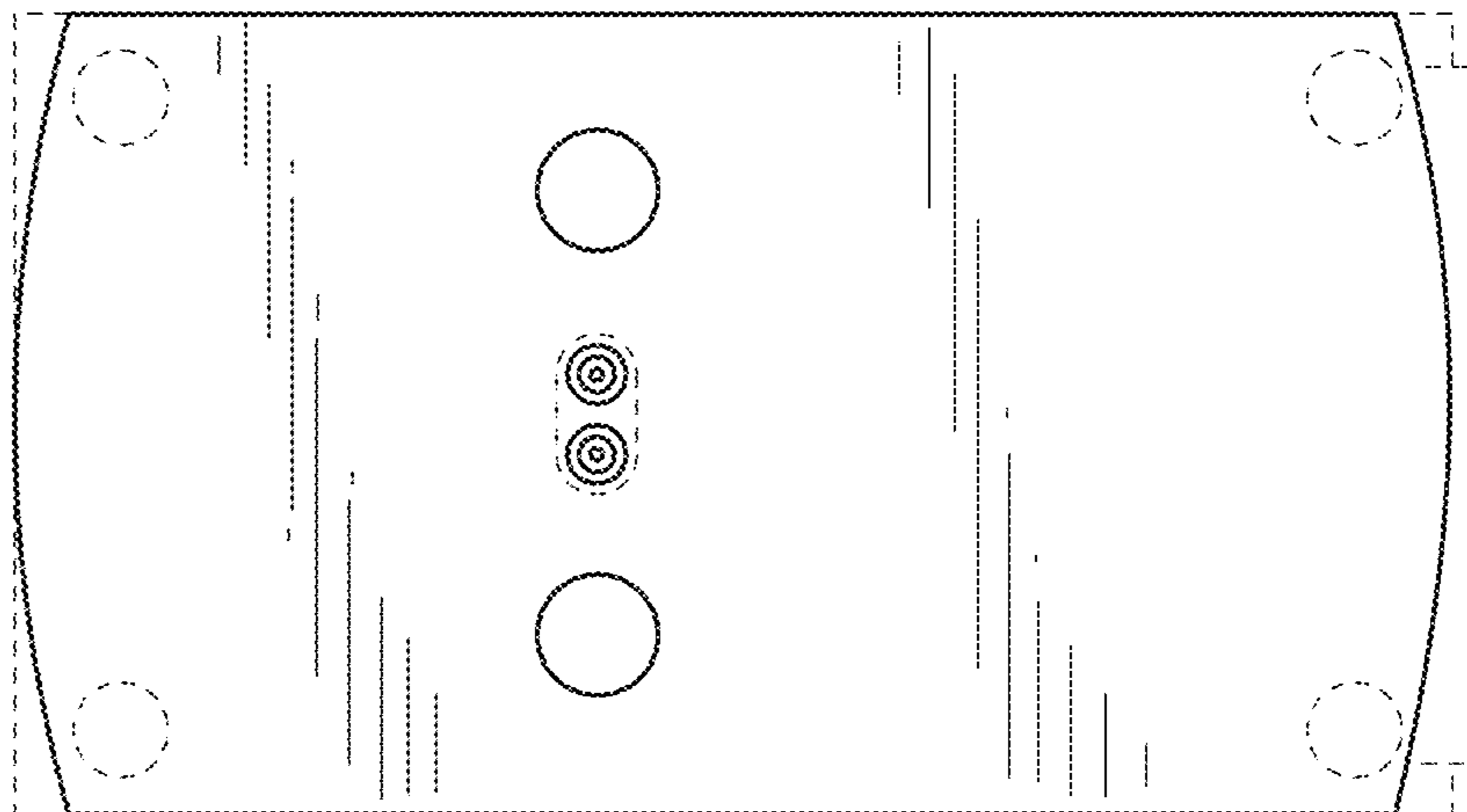


FIG. 7

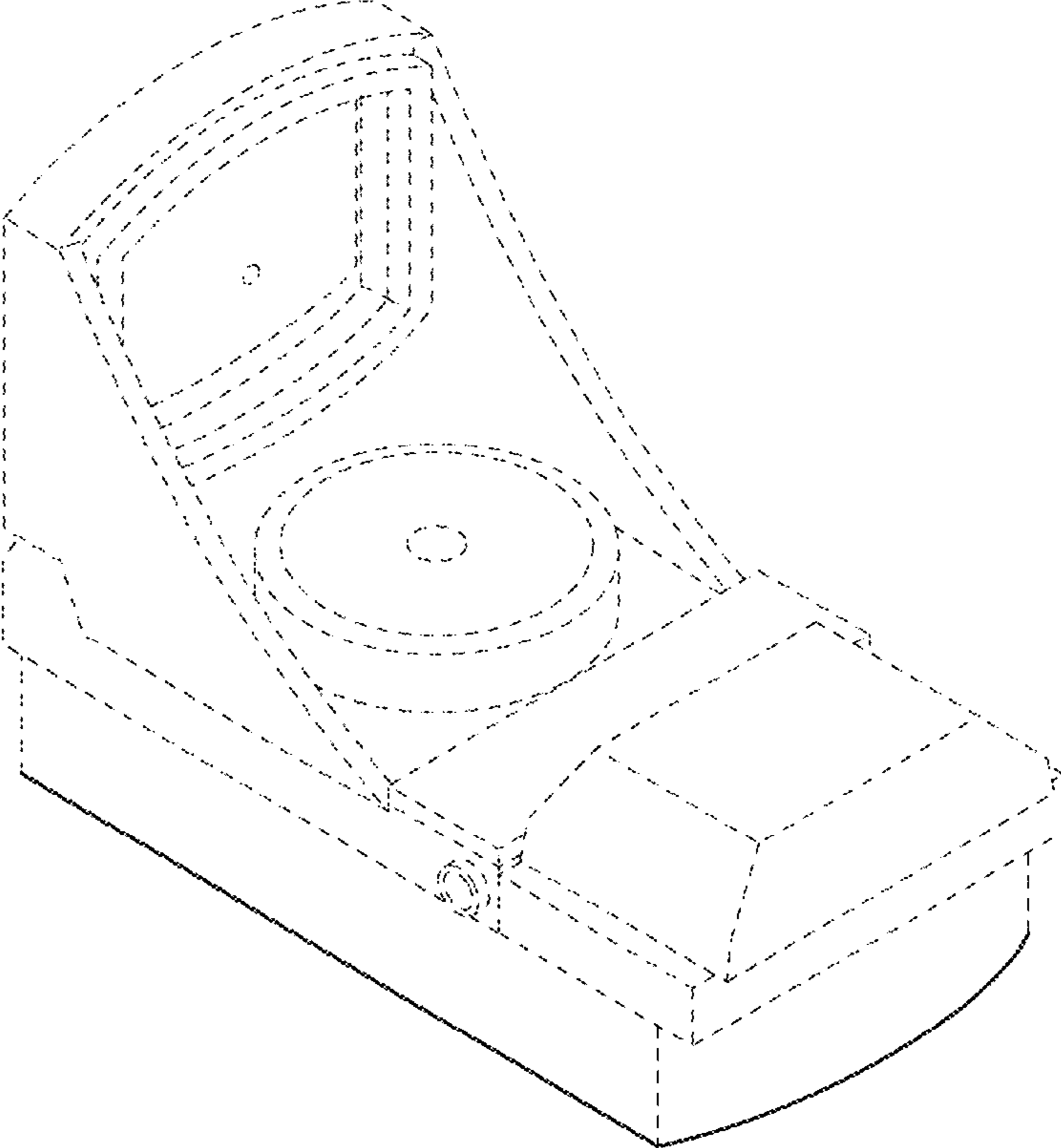


FIG.8

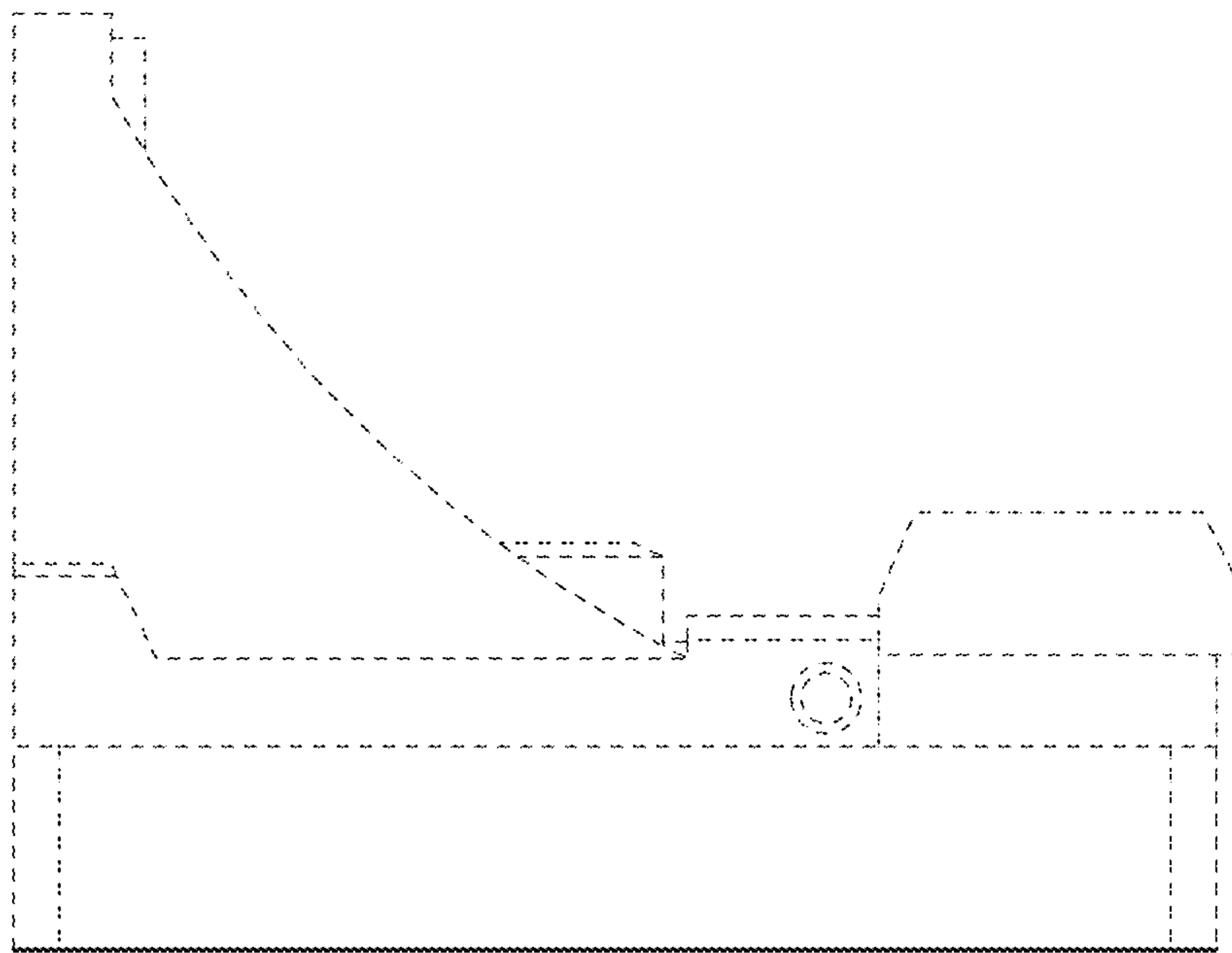


FIG.9

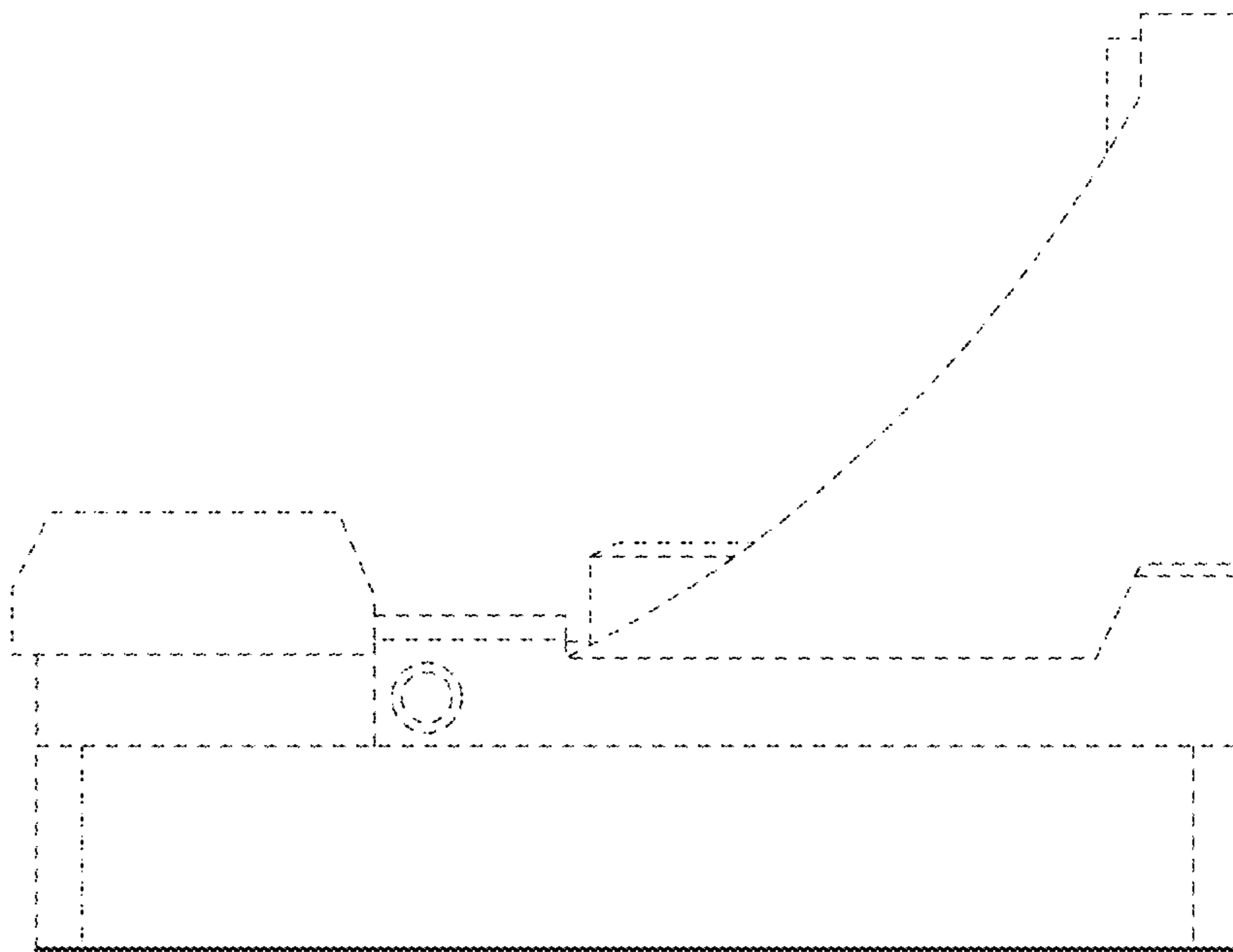


FIG. 10

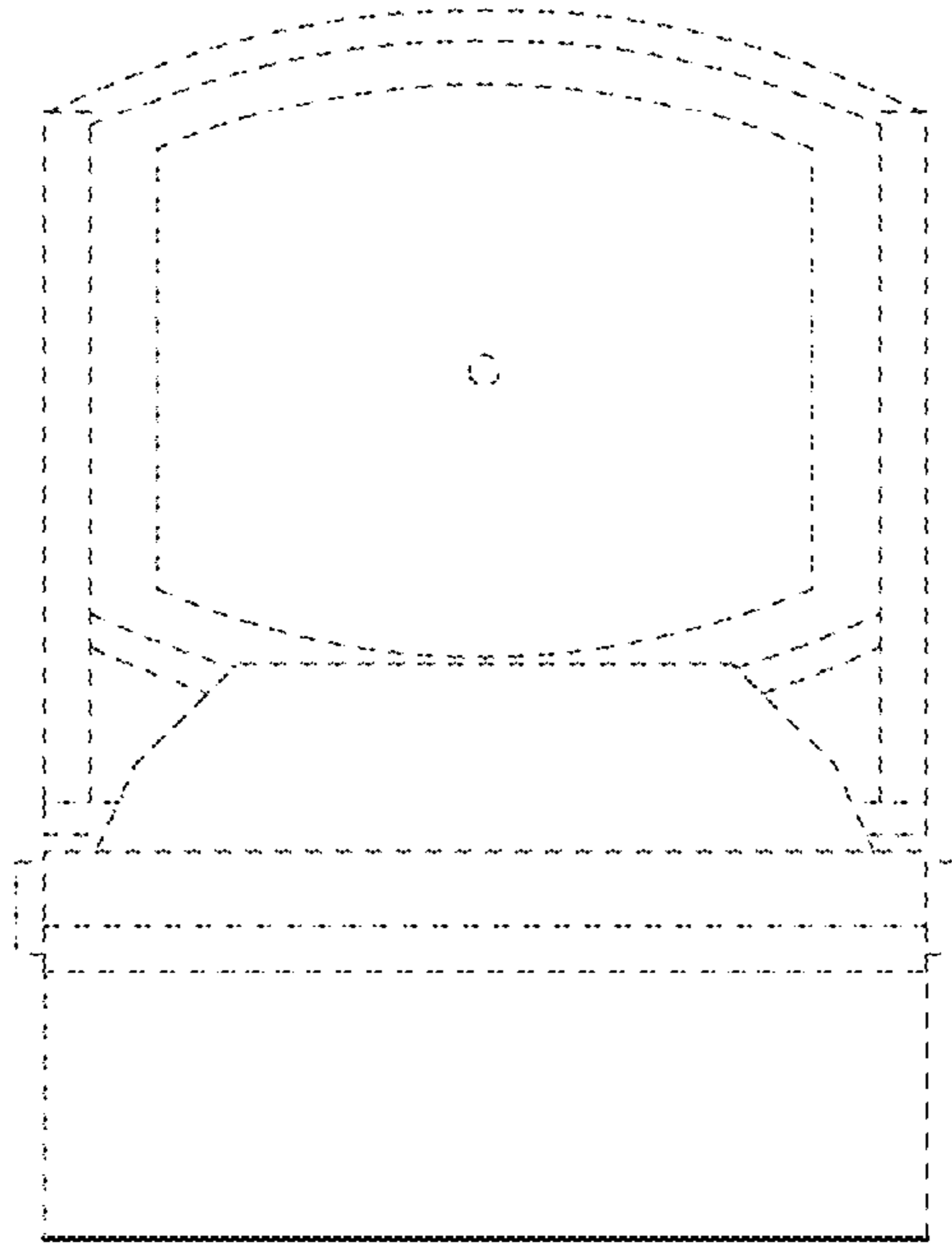


FIG. 11

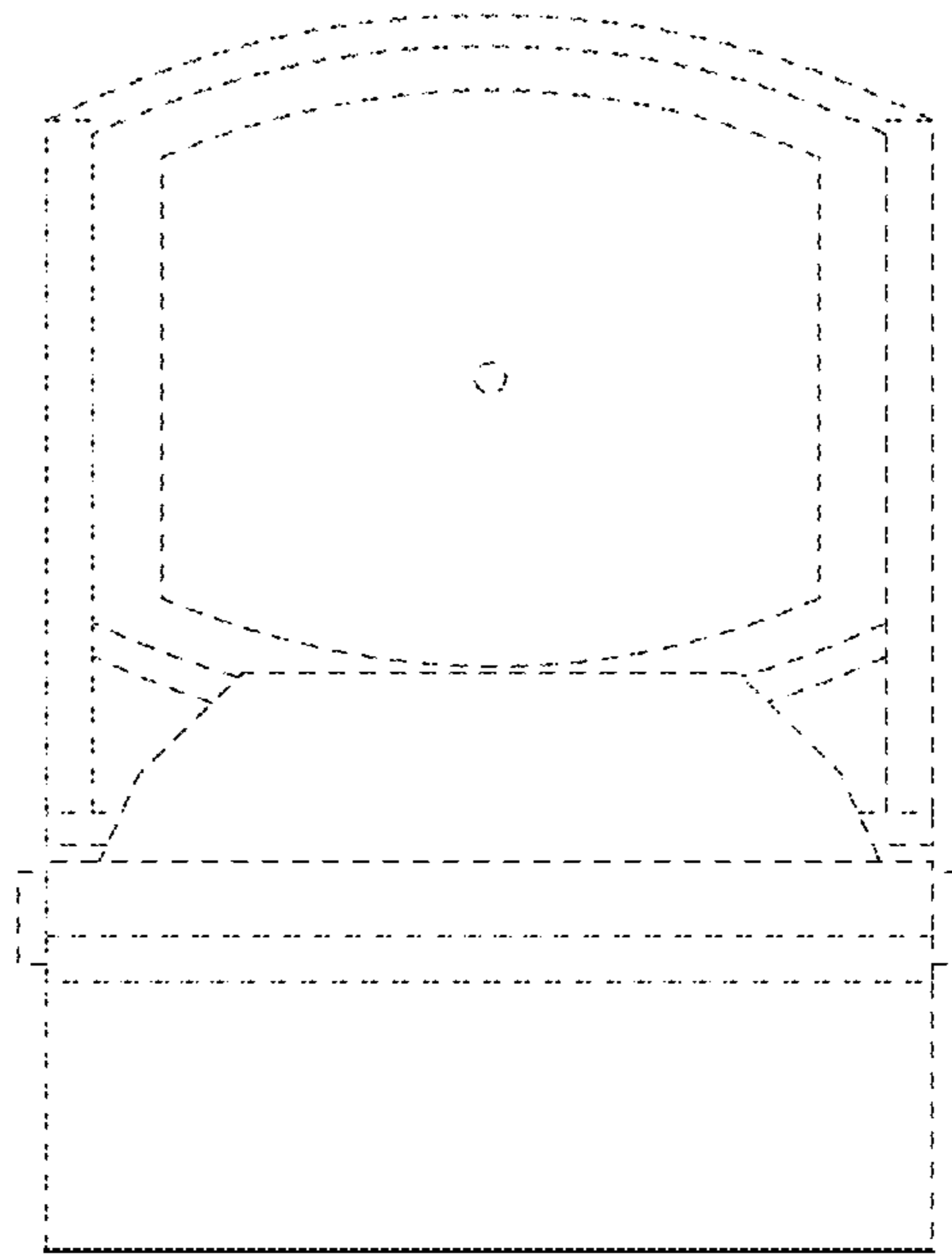


FIG. 12

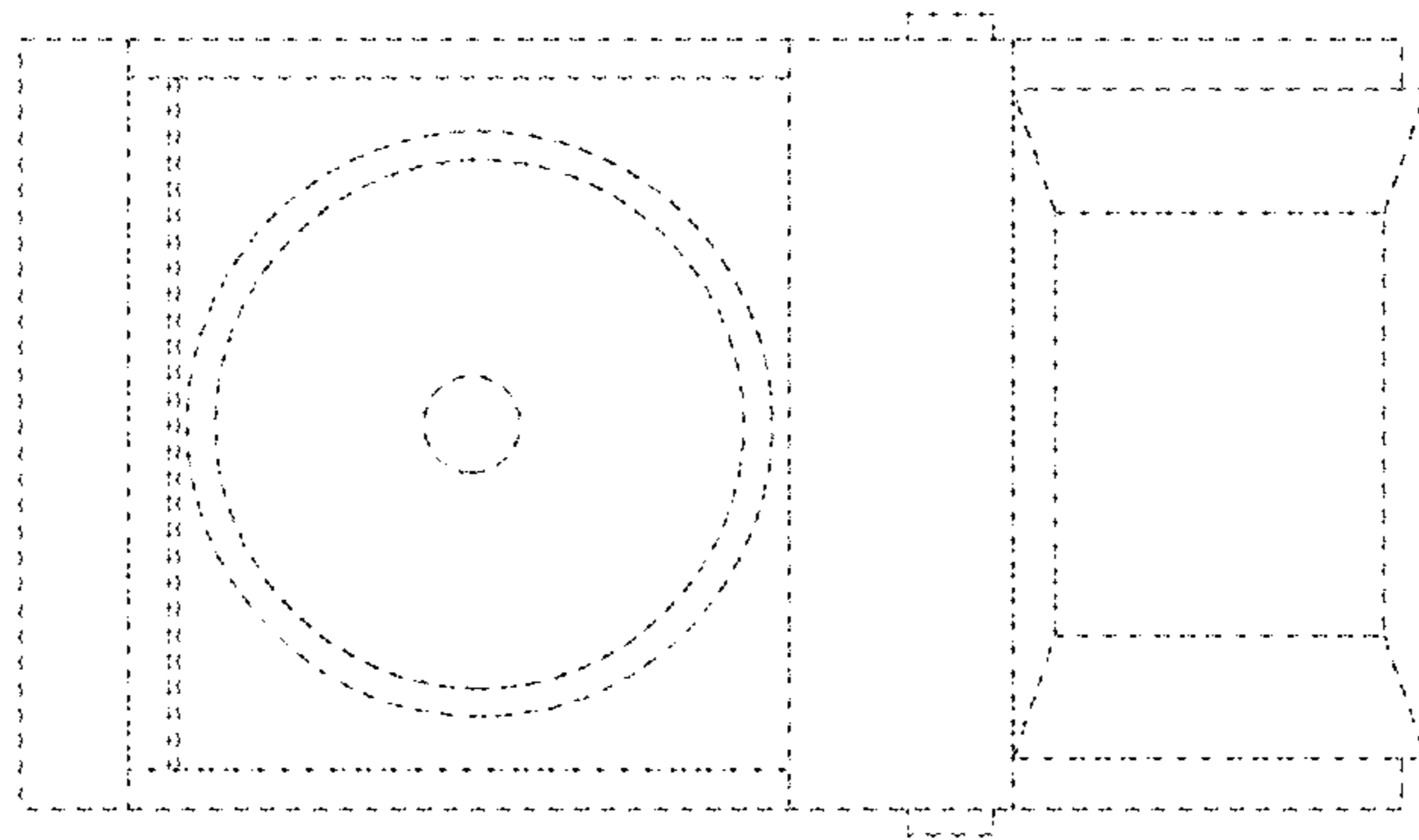


FIG.13

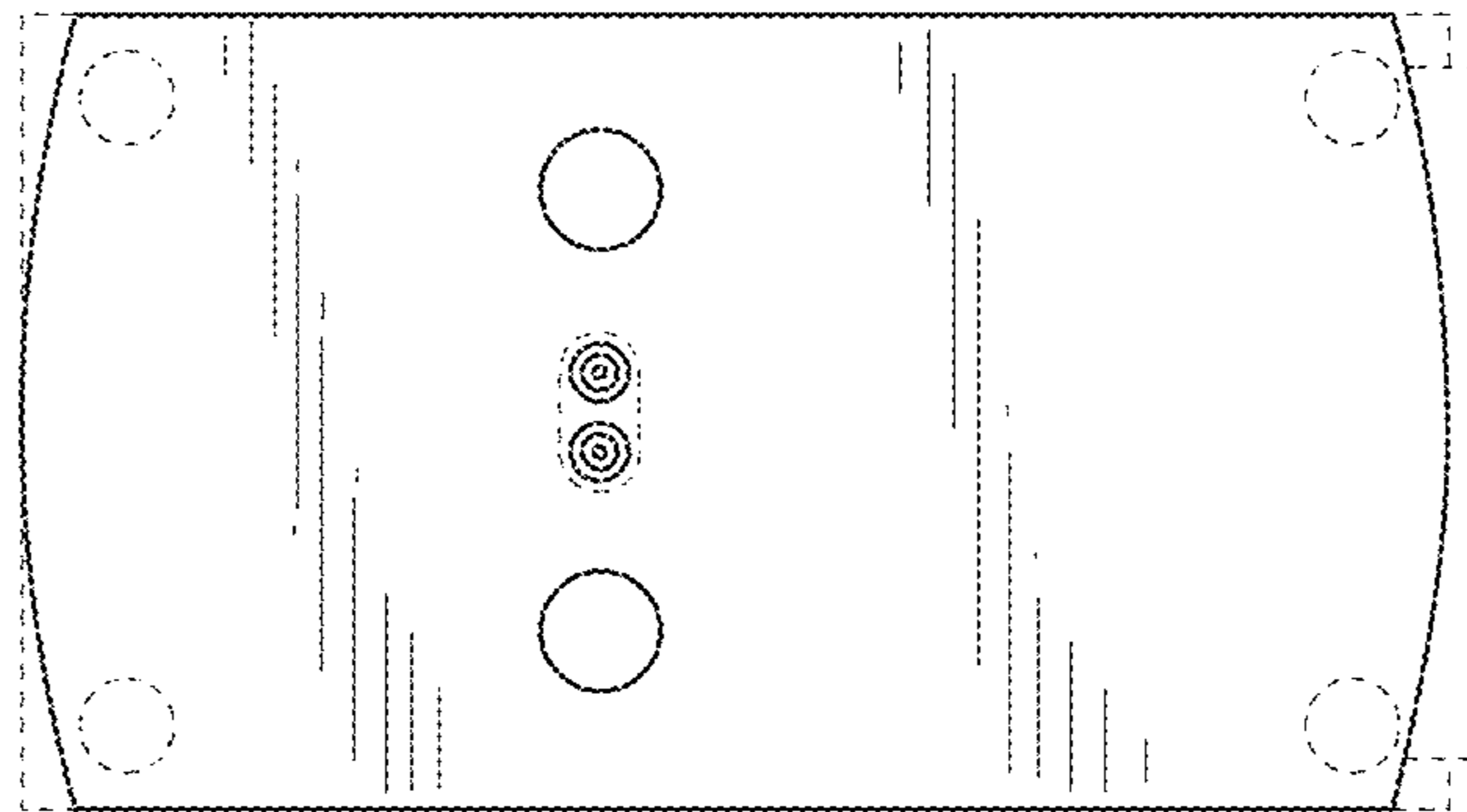


FIG.14