



US00D808768S

(12) **United States Design Patent**
Mahanavanont

(10) **Patent No.:** **US D808,768 S**
(45) **Date of Patent:** **** Jan. 30, 2018**

- (54) **COMBINATION LOCK**
- (71) Applicant: **THOMAS MENDOZA INTERNATIONAL CO., LTD.**, Hong Kong (CN)
- (72) Inventor: **Thavisak Mahanavanont**, Hong Kong (CN)
- (73) Assignee: **THOMAS MENDOZA INTERNATIONAL CO., LTD.**, Hong Kong (CN)

8,130,075 B1 * 3/2012 Hingole G06F 3/0481
340/5.55
8,141,396 B1 * 3/2012 Yang E05B 19/0005
70/333 A
D662,393 S * 6/2012 Tonelli D8/334
8,544,396 B1 * 10/2013 Anderson A01C 5/062
111/152
D734,125 S * 7/2015 Kodama D8/330
9,222,283 B1 * 12/2015 Zhang E05B 37/0034
D761,636 S * 7/2016 Little D8/334
9,495,820 B1 * 11/2016 Li E05B 47/06
9,663,971 B2 * 5/2017 Yang E05B 37/02
D789,174 S * 6/2017 Lai D8/334
9,771,737 B1 * 9/2017 Rais E05B 19/0005

(**) Term: **15 Years**

(21) Appl. No.: **29/589,065**

(22) Filed: **Dec. 27, 2016**

(51) **LOC (11) Cl.** **08-07**

(52) **U.S. Cl.**
USPC **D8/334**

(58) **Field of Classification Search**
USPC D8/300-302, 350, 330, 331, 343, 346,
D8/334; 70/14, 158, 160, 452, 448, 466;
292/348, 350, 357; D11/117, 130, 34;
D9/702, 720; 190/100, 101, 900
CPC E05B 1/0007; E05B 9/00; E05B 17/00;
A45C 5/00; A45C 13/00; A45C 13/002
See application file for complete search history.

(56) **References Cited**

U.S. PATENT DOCUMENTS

7,712,342 B2 * 5/2010 Loughlin E05B 19/00
70/329
D642,893 S * 8/2011 Yang D8/334

* cited by examiner

Primary Examiner — Prabhakar Deshmukh

(74) *Attorney, Agent, or Firm* — Leong C. Lei

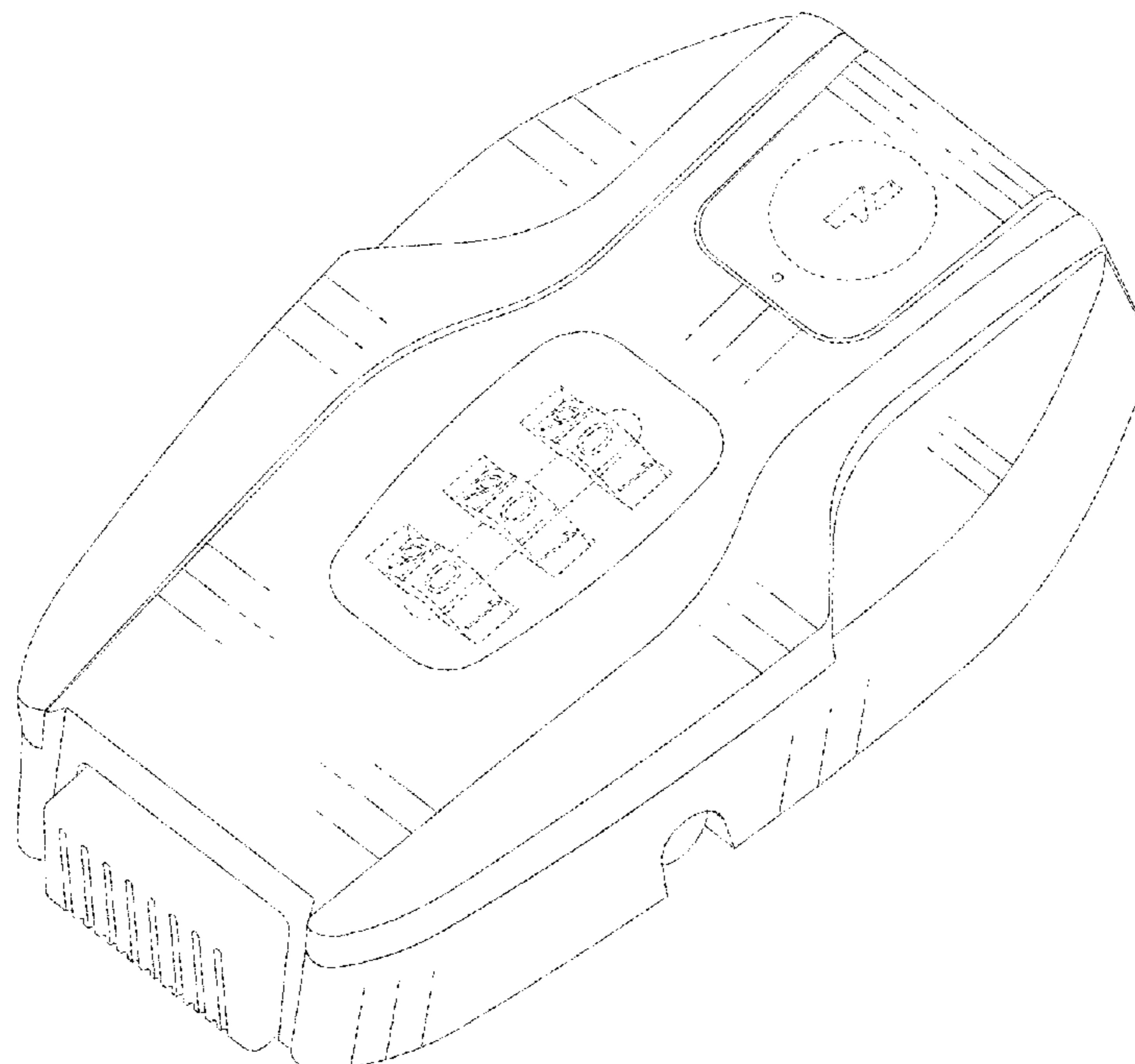
(57) **CLAIM**

The ornamental design for a combination lock, as shown and described.

DESCRIPTION

FIG. 1 is a perspective view of a combination lock showing my new design, with the mount bracket engaged;
FIG. 2 is a front elevational view thereof;
FIG. 3 is a left side elevational view thereof;
FIG. 4 is a right side elevational view thereof;
FIG. 5 is a top plan view thereof;
FIG. 6 is a bottom plan view thereof;
FIG. 7 is another perspective view thereof; and,
FIG. 8 is another perspective view thereof, showing the status while in use.
The portions shown in broken lines form no part of the claimed design.

1 Claim, 8 Drawing Sheets



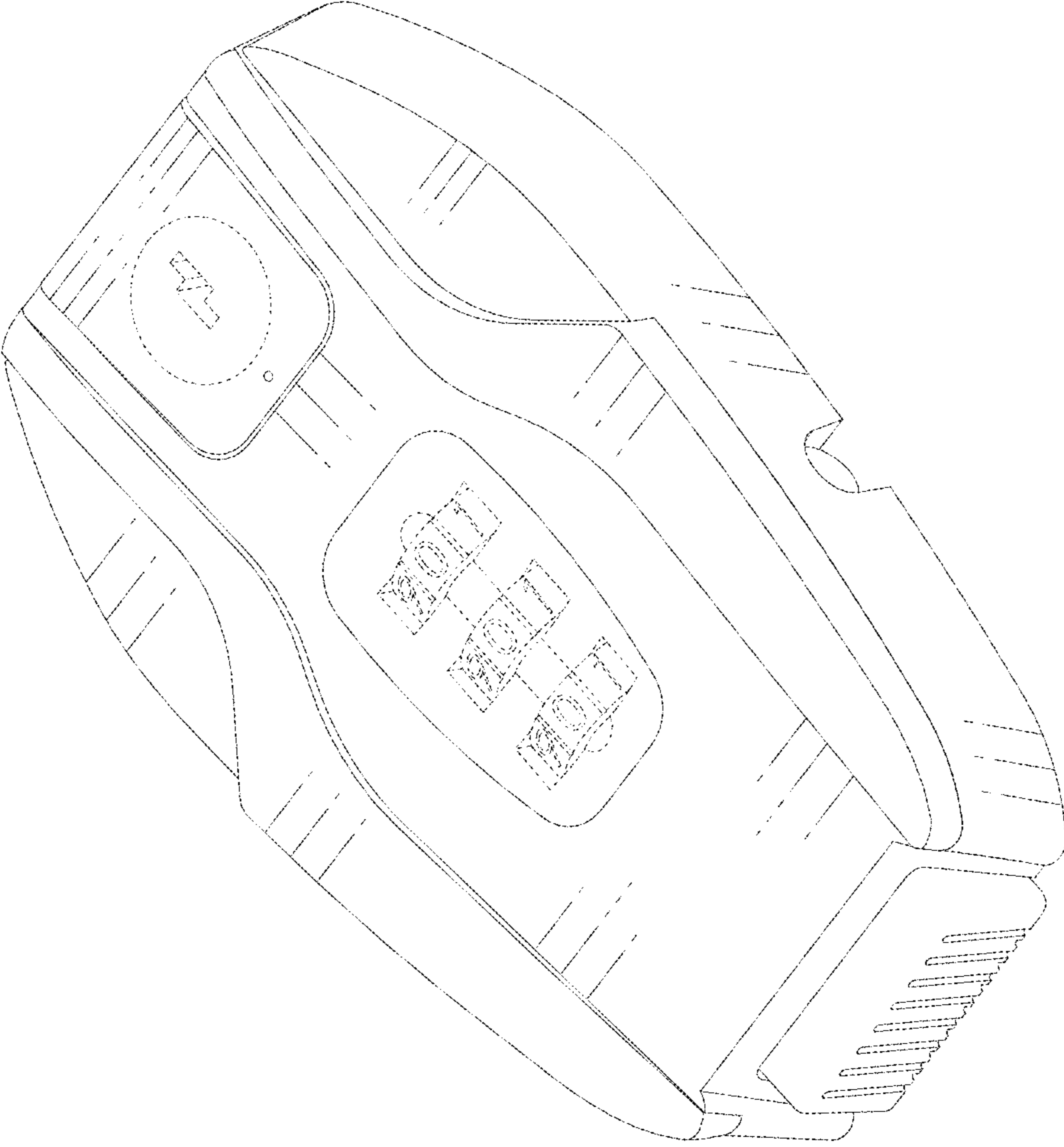


FIG. 1

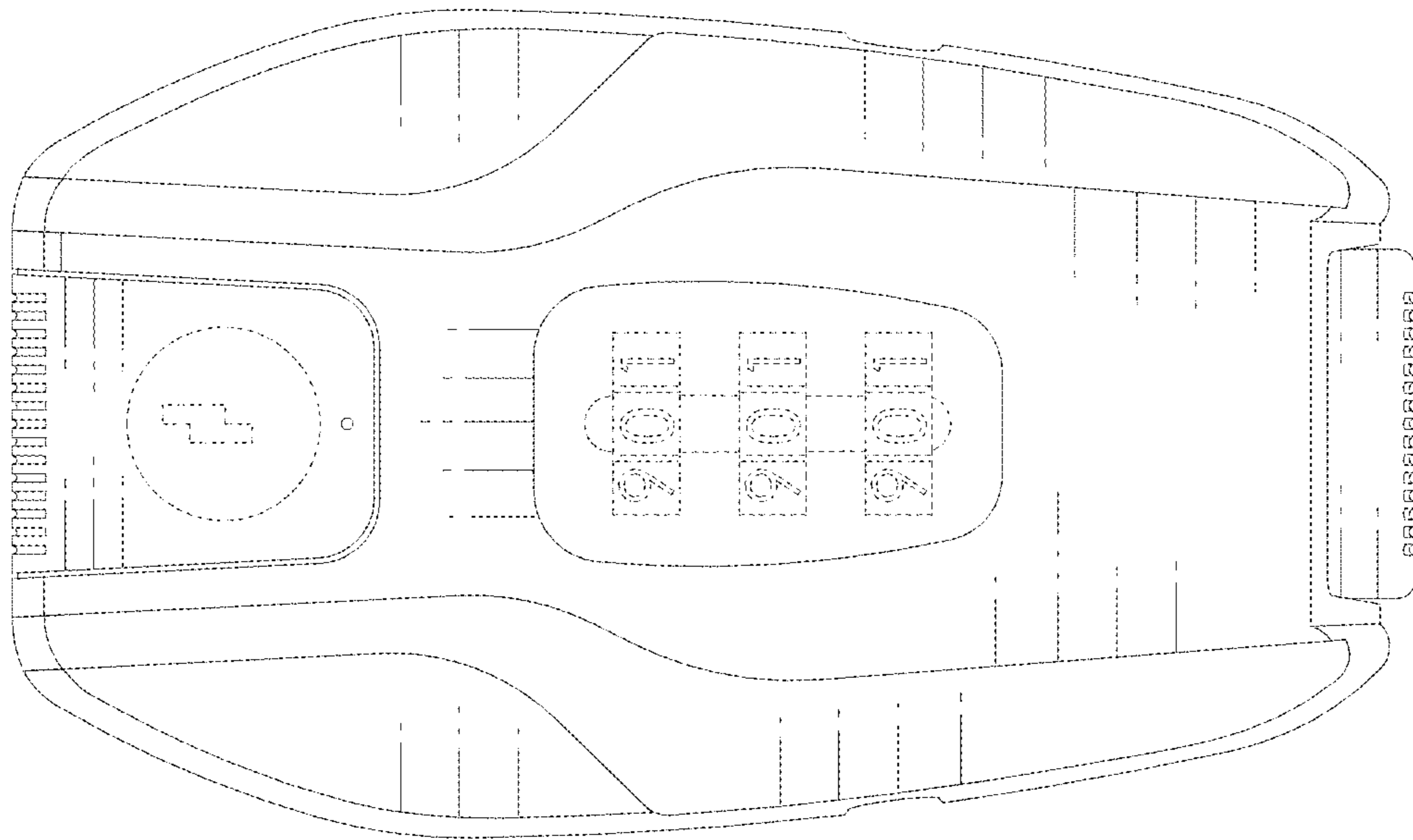


FIG. 2

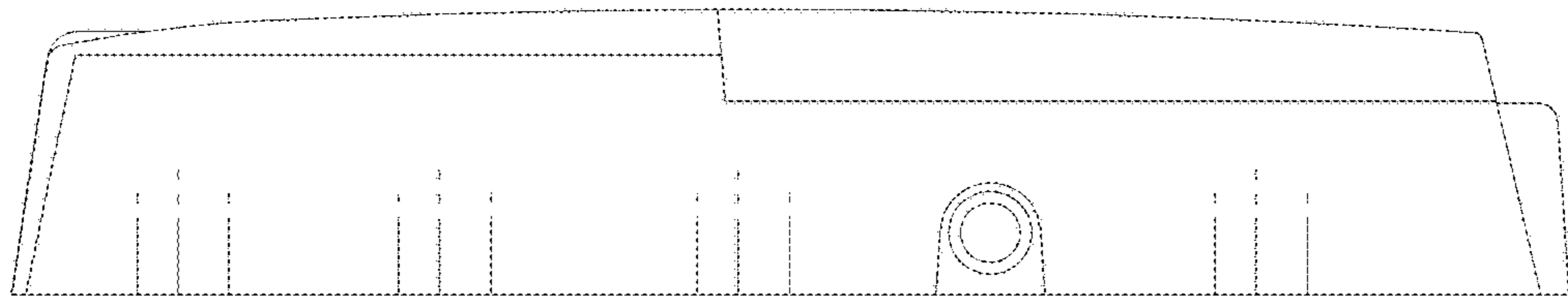


FIG. 3

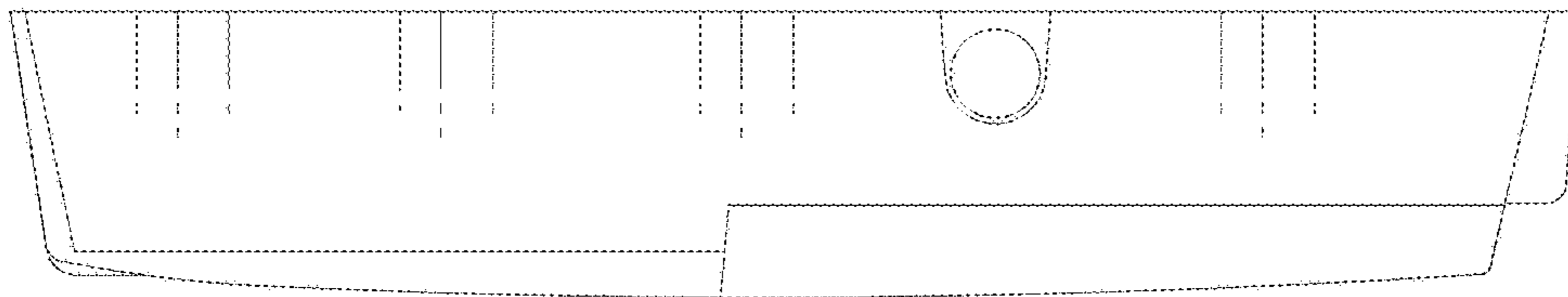


FIG. 4

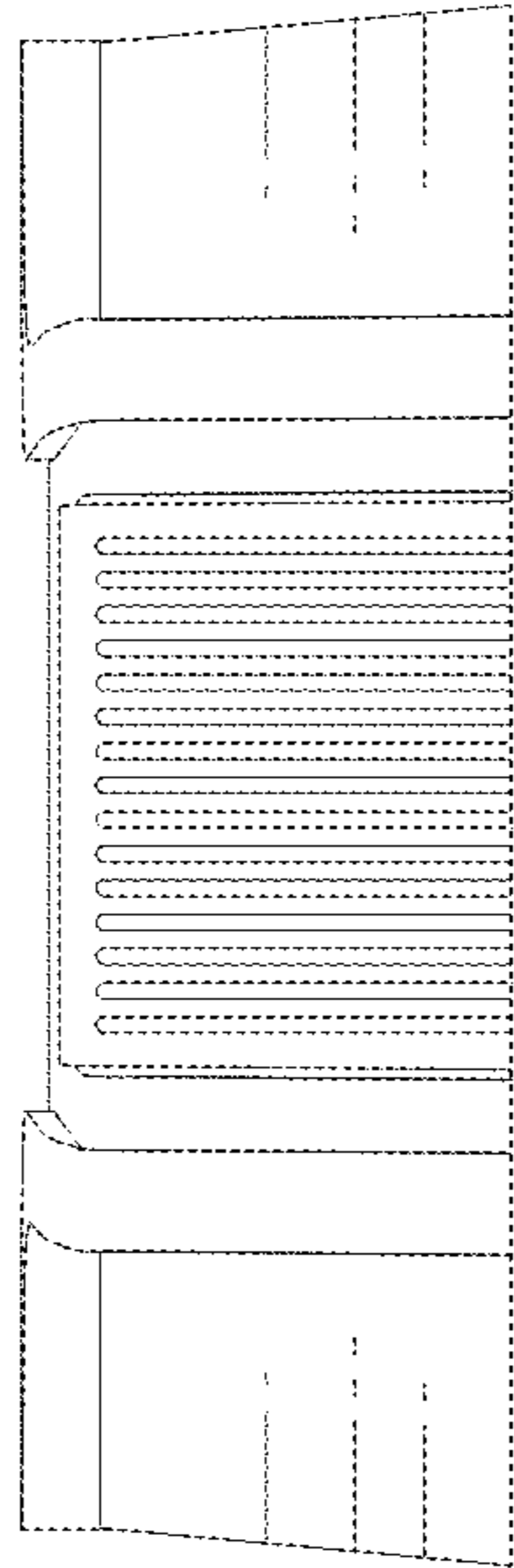


FIG. 5

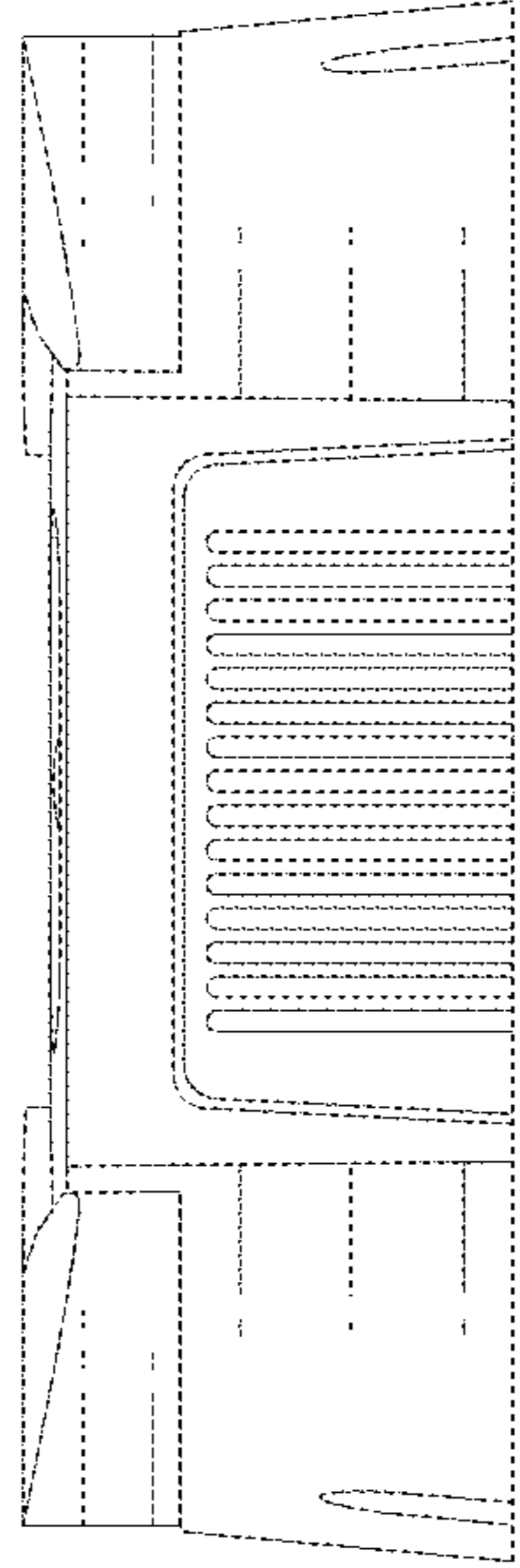


FIG. 6

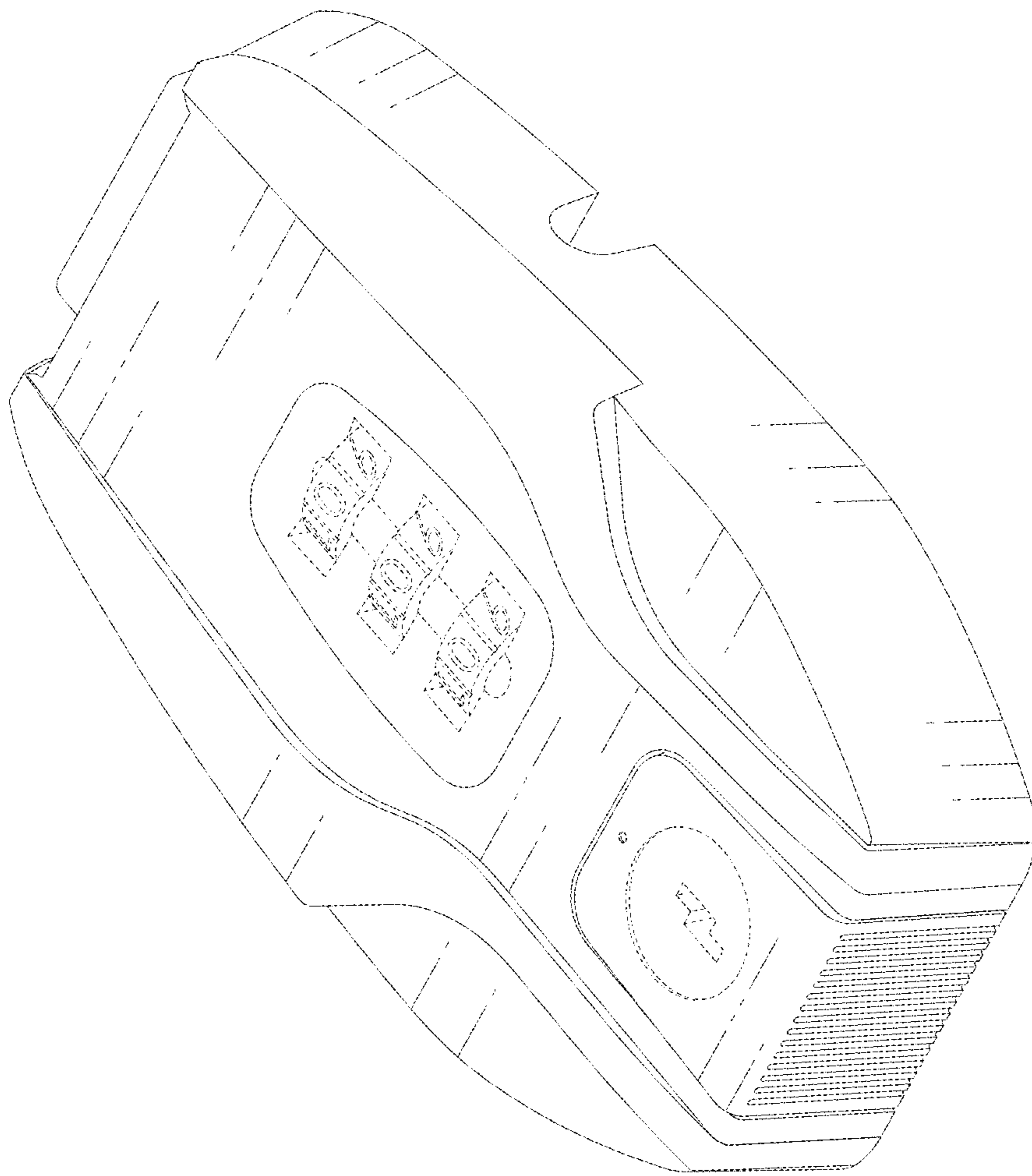


FIG. 7

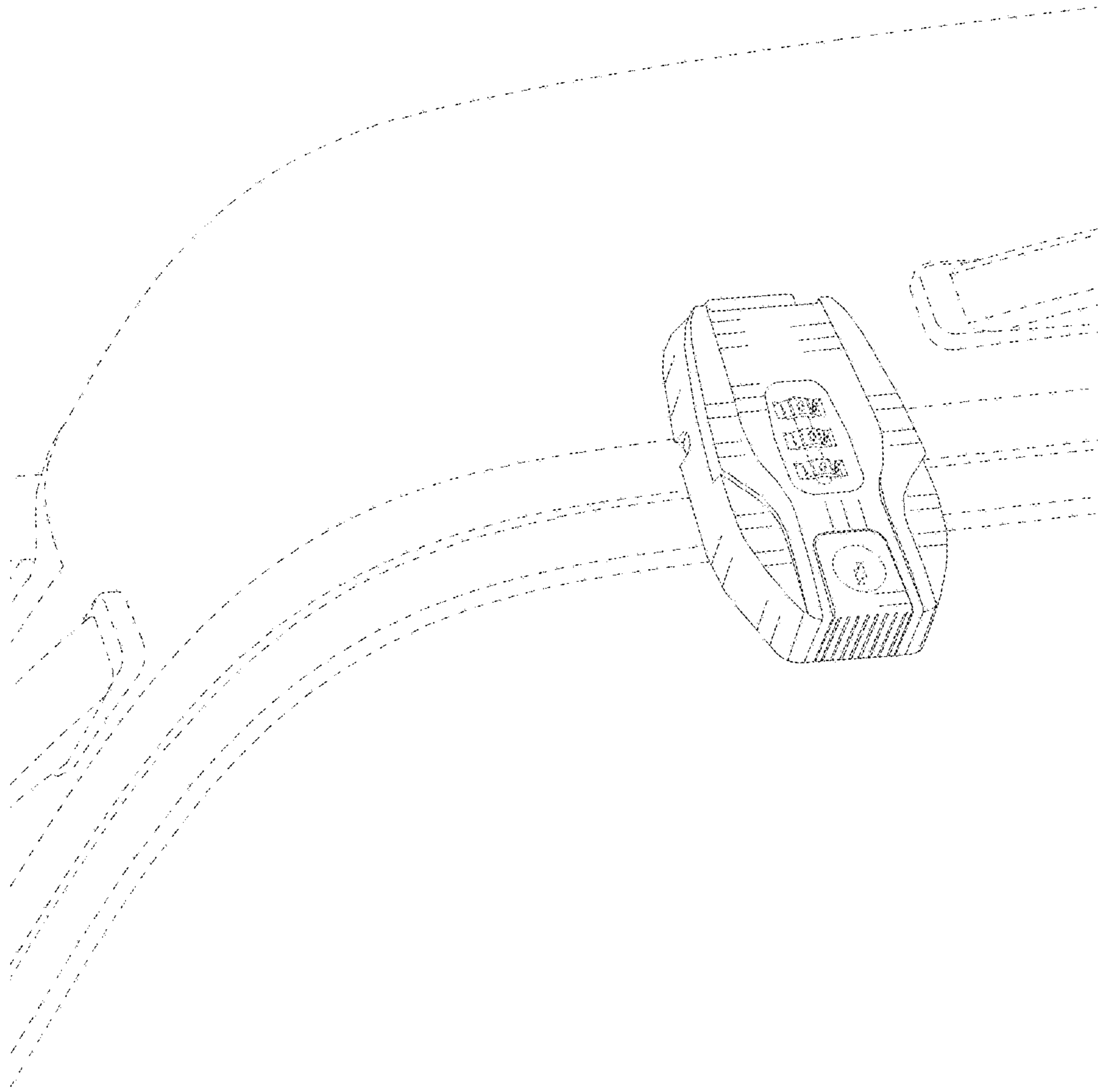


FIG. 8