



US00D808767S

(12) **United States Design Patent**  
**Kim et al.**

(10) **Patent No.:** **US D808,767 S**  
(45) **Date of Patent:** **\*\* Jan. 30, 2018**

(54) **KNOB**

D508,225 S \* 8/2005 Scheepers ..... D12/197  
D521,314 S \* 5/2006 Ball ..... D7/393  
D525,518 S \* 7/2006 Baldwin ..... D8/310

(71) Applicant: **SAMSUNG ELECTRONICS CO., LTD.**, Suwon-si (KR)

(Continued)

(72) Inventors: **Jae-Jun Kim**, Seoul (KR); **Jae-Moon Lee**, Seoul (KR); **Hyeong-Ju Seo**, Seoul (KR); **Woo-Joo Choi**, Ahnyang-si (KR); **Jong-Su Jeon**, Seoungnam-si (KR); **Hwan-Woong Choi**, Seoul (KR)

**FOREIGN PATENT DOCUMENTS**

CN 201530084529.1 8/2015  
KR 30-2015-0060417 3/2016

(73) Assignee: **Samsung Electronics Co., Ltd.**, Suwon-si (KR)

**OTHER PUBLICATIONS**

LG. "LG OEM Original Part: AEZ73453509 Oven Range Stove Knob Assembly". [2016] <http://www.amazon.com>. Aug. 26, 2016. <<http://www.amazon.com/LG-OEM-Original-Part-AEZ73453509/dp/B00C2SR6KU>>.

(\*\*) Term: **15 Years**

*Primary Examiner* — Lauren Calve

(21) Appl. No.: **29/585,291**

(74) *Attorney, Agent, or Firm* — NSIP Law

(22) Filed: **Nov. 22, 2016**

(30) **Foreign Application Priority Data**

(57) **CLAIM**

Jun. 8, 2016 (KR) ..... 30-2016-0027647

We claim the ornamental design for a knob, as shown and described.

(51) **LOC (11) Cl.** ..... **08-06**

(52) **U.S. Cl.**  
USPC ..... **D8/311**

(58) **Field of Classification Search**  
USPC ..... D8/107, 300, 301, 307, 310, 311, 312;  
D10/102; D23/250, 421; D7/393, 394,  
D7/396, 543, 545, 547, 548  
CPC ... Y10T 292/57; Y10T 292/82; Y10T 16/469;  
Y10T 16/44; Y10T 16/476; Y10T  
74/2084; Y10T 292/85; Y10T 74/2087;  
Y10T 16/4713; Y10T 16/506; Y10T  
74/20876; Y10T 74/20612; Y10T  
70/5765; Y10T 16/459; Y10T 74/2066;  
Y10T 16/487; Y10T 74/20822  
See application file for complete search history.

**DESCRIPTION**

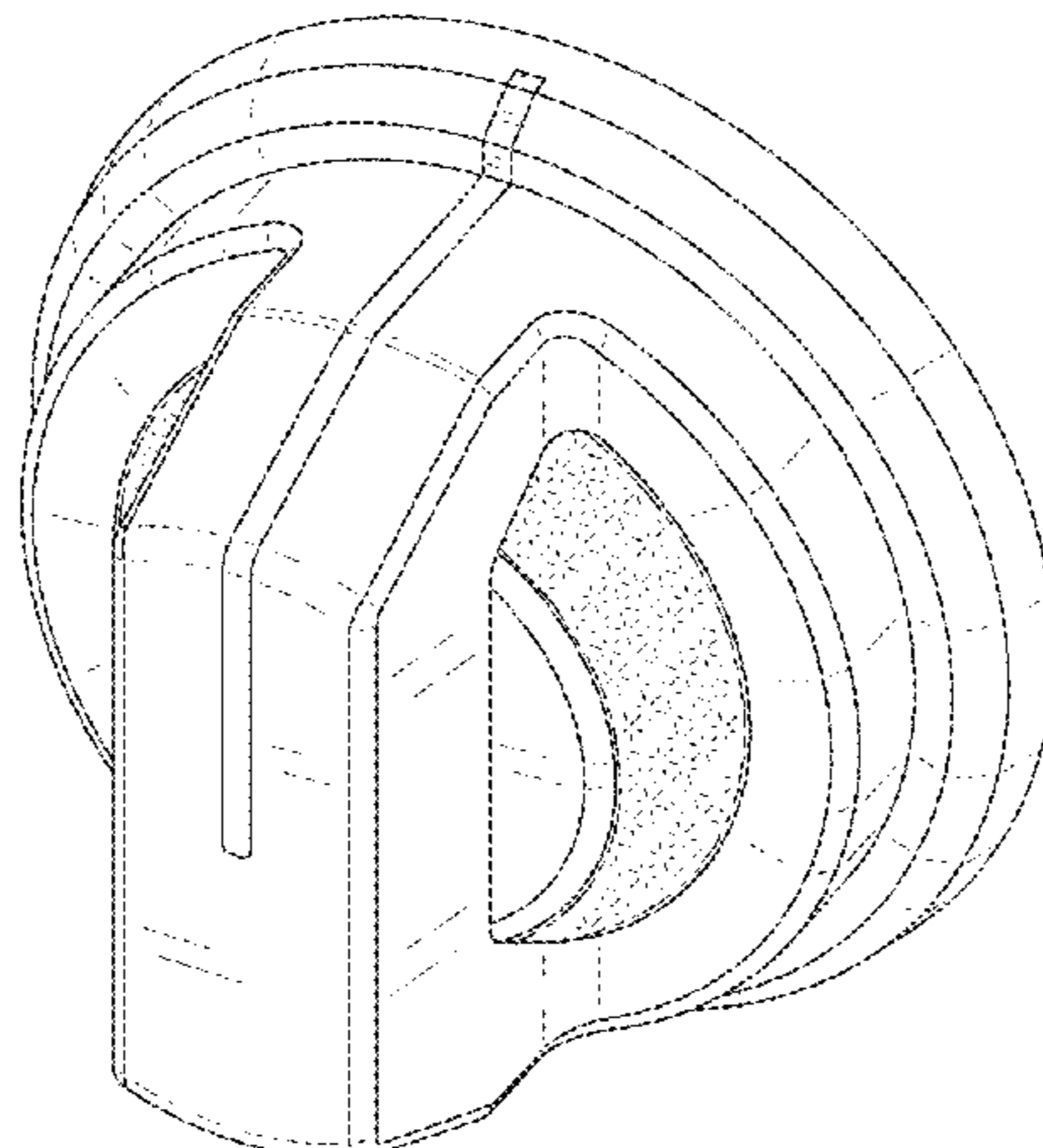
FIG. 1 is a front perspective view of a knob showing our new design;  
FIG. 2 is a front view thereof;  
FIG. 3 is a rear view thereof;  
FIG. 4 is a left-side view thereof;  
FIG. 5 is a right-side view thereof;  
FIG. 6 is a top view thereof; and,  
FIG. 7 is a bottom view thereof.  
The broken lines shown represent unclaimed subject matter and form no part of the claimed design.  
The area within the long dash-short dash lines represents unclaimed subject matter and forms no part of the claimed design.  
The long dash-short-dash lines represent unclaimed boundaries that form no part of the claimed design.

(56) **References Cited**

**U.S. PATENT DOCUMENTS**

D400,778 S \* 11/1998 Holbrook, Jr. .... D8/311  
D498,657 S \* 11/2004 Milrud ..... D8/311

**1 Claim, 7 Drawing Sheets**



(56)

References Cited

U.S. PATENT DOCUMENTS

7,171,727	B2 *	2/2007	Wylie .....	F24C 7/082 16/441
D559,206	S *	1/2008	Neveu .....	D13/174
D634,156	S *	3/2011	Fuller .....	D7/393
D634,602	S *	3/2011	Bengtson .....	D8/311
D637,886	S *	5/2011	Bengtson .....	D8/311
8,292,494	B2 *	10/2012	Rosa .....	G05D 23/1902 116/292
D710,673	S *	8/2014	Boo .....	G05G 1/10 D8/311
D715,126	S *	10/2014	Kim .....	D7/393
D752,920	S *	4/2016	Boo .....	D7/393
D762,593	S *	8/2016	Oneufer .....	D13/174
D766,698	S *	9/2016	Vergin .....	D8/311
D773,917	S *	12/2016	Shoemaker .....	D8/311
D779,303	S *	2/2017	Shoemaker .....	D8/311
D786,651	S *	5/2017	Shoemaker .....	D8/311
D792,189	S *	7/2017	Incukur .....	D8/311
D793,199	S *	8/2017	Nilssen .....	D8/311
2004/0107545	A1 *	6/2004	Worrell .....	G05G 1/10 16/441
2015/0370283	A1 *	12/2015	Lawson .....	G05G 1/082 74/553

\* cited by examiner

FIG. 1

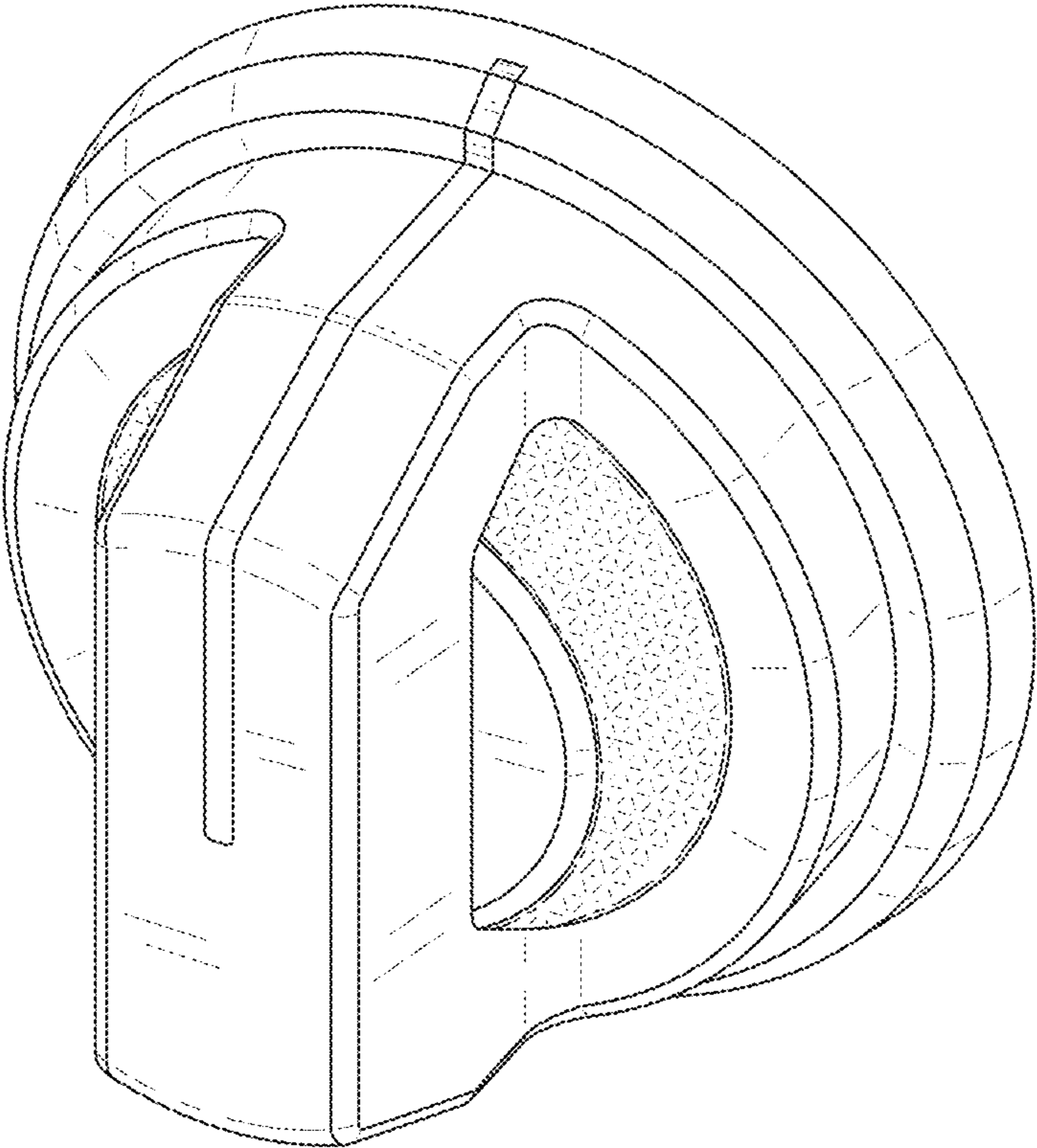


FIG. 2

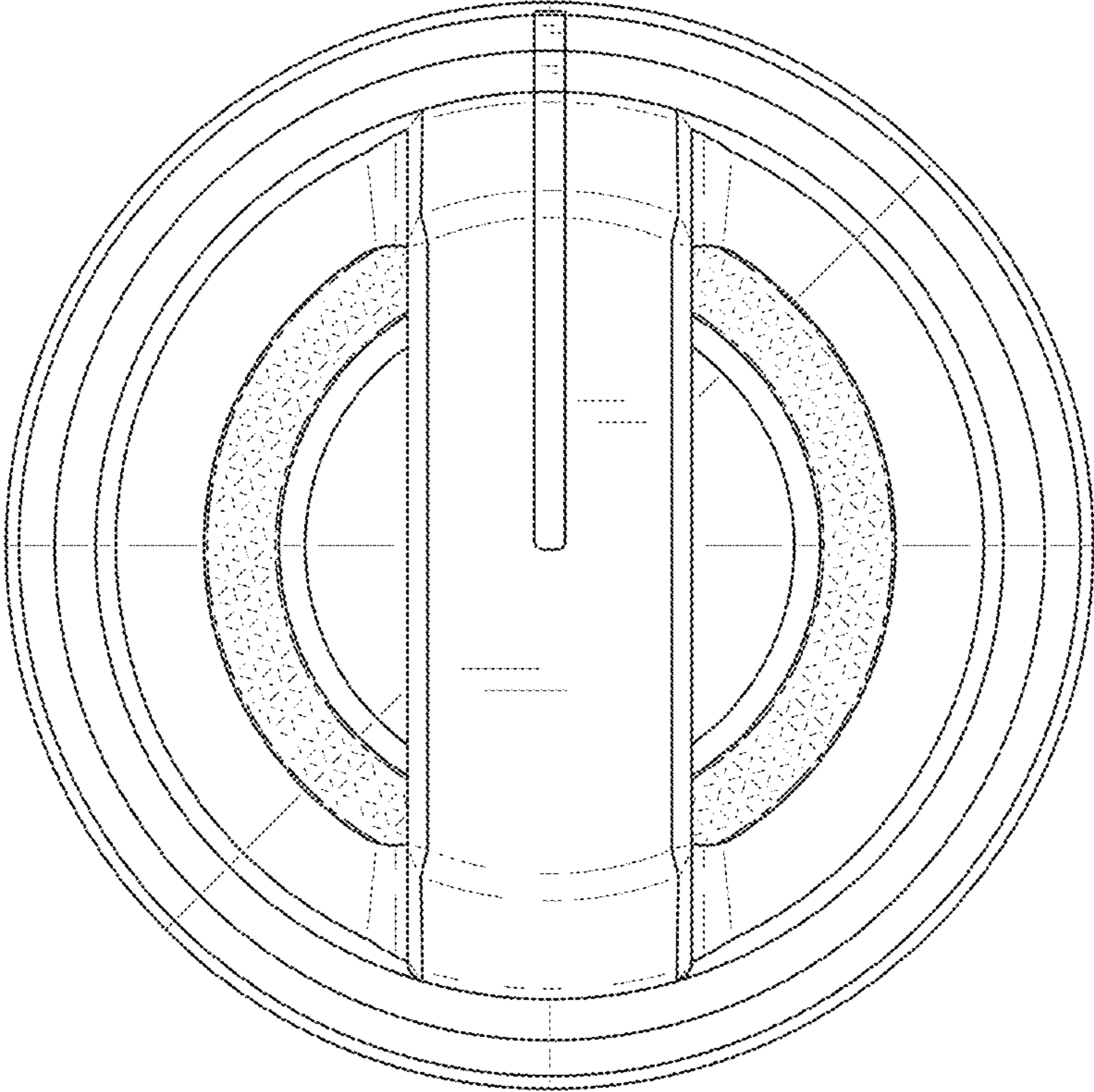


FIG. 3

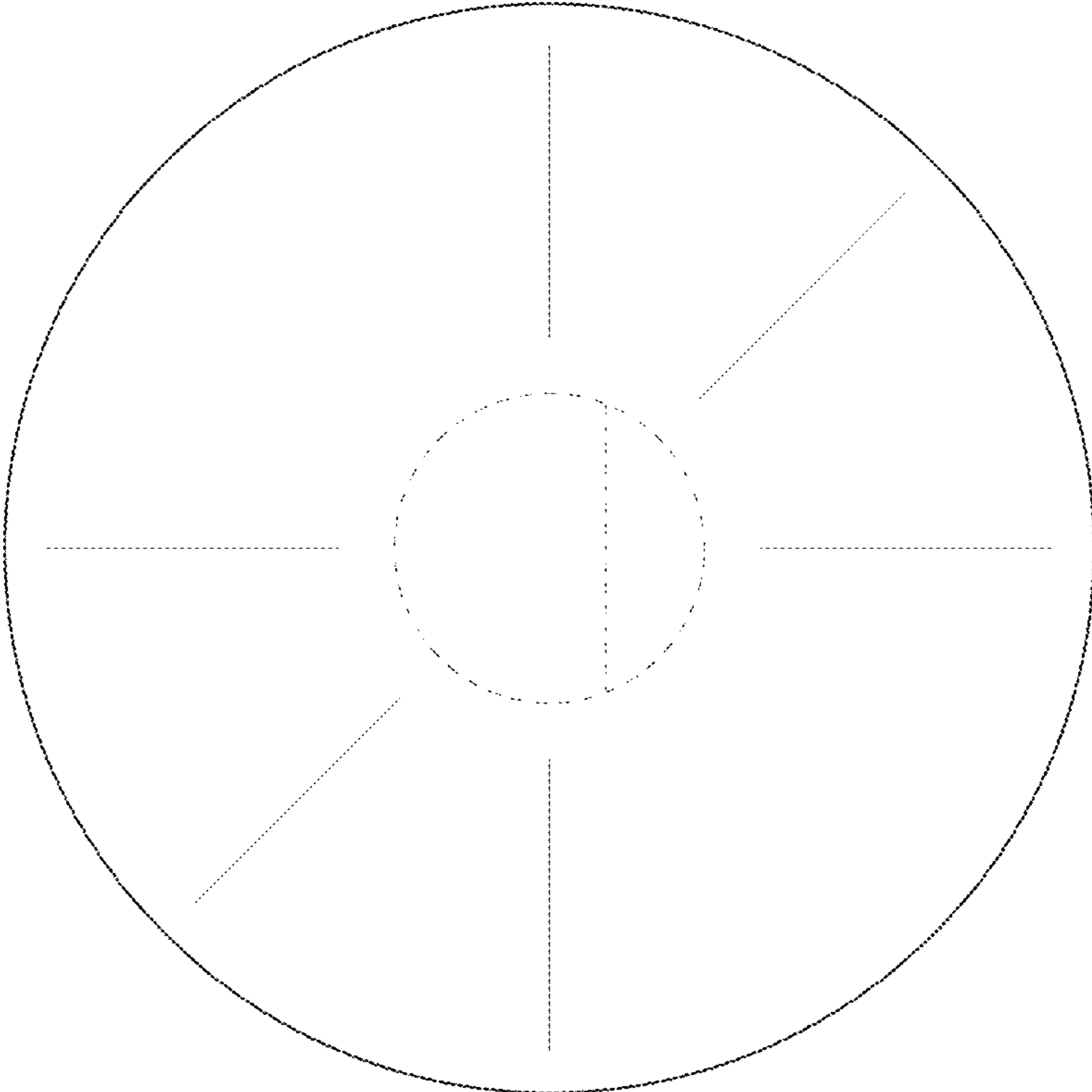


FIG. 4

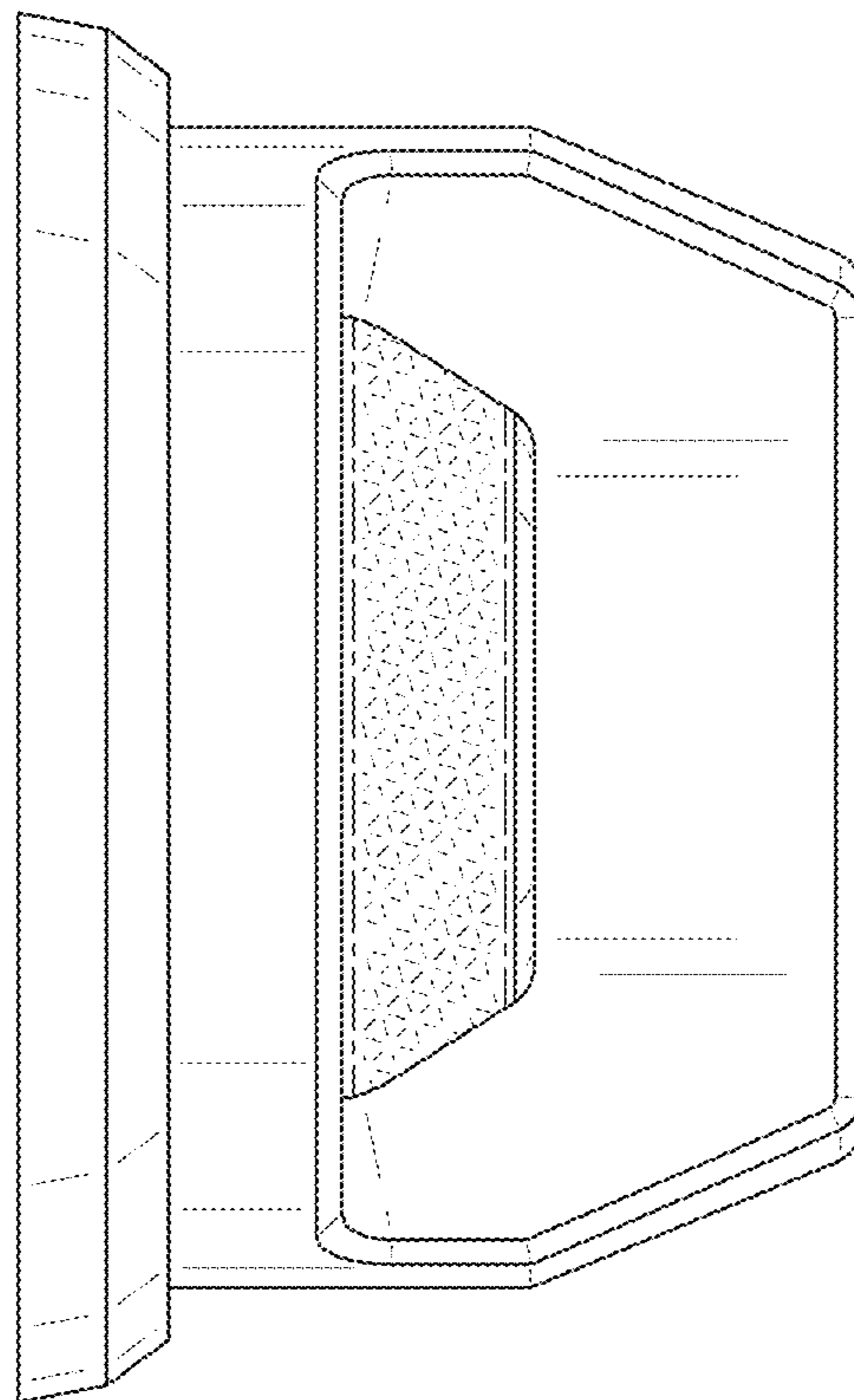


FIG. 5

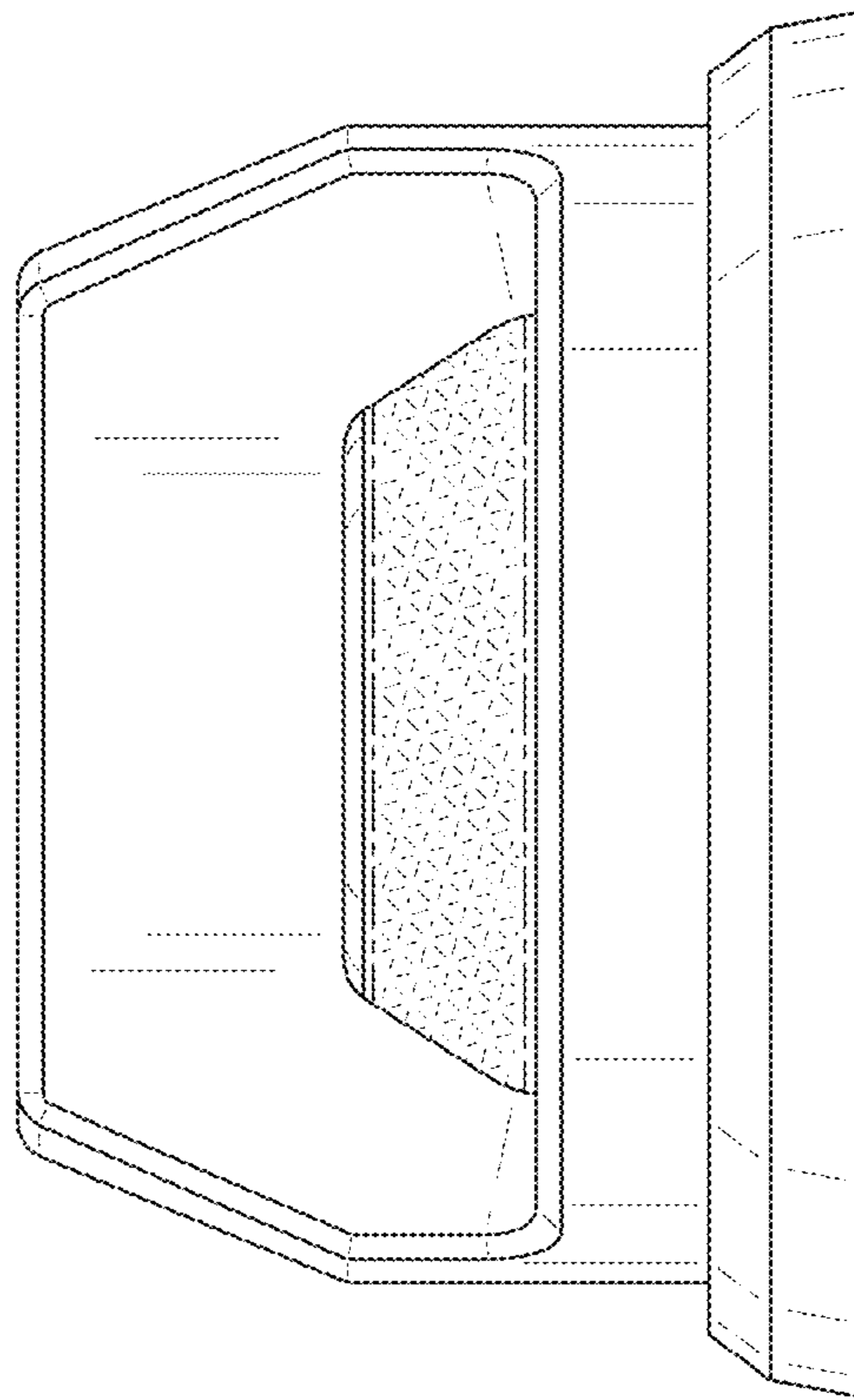


FIG. 6

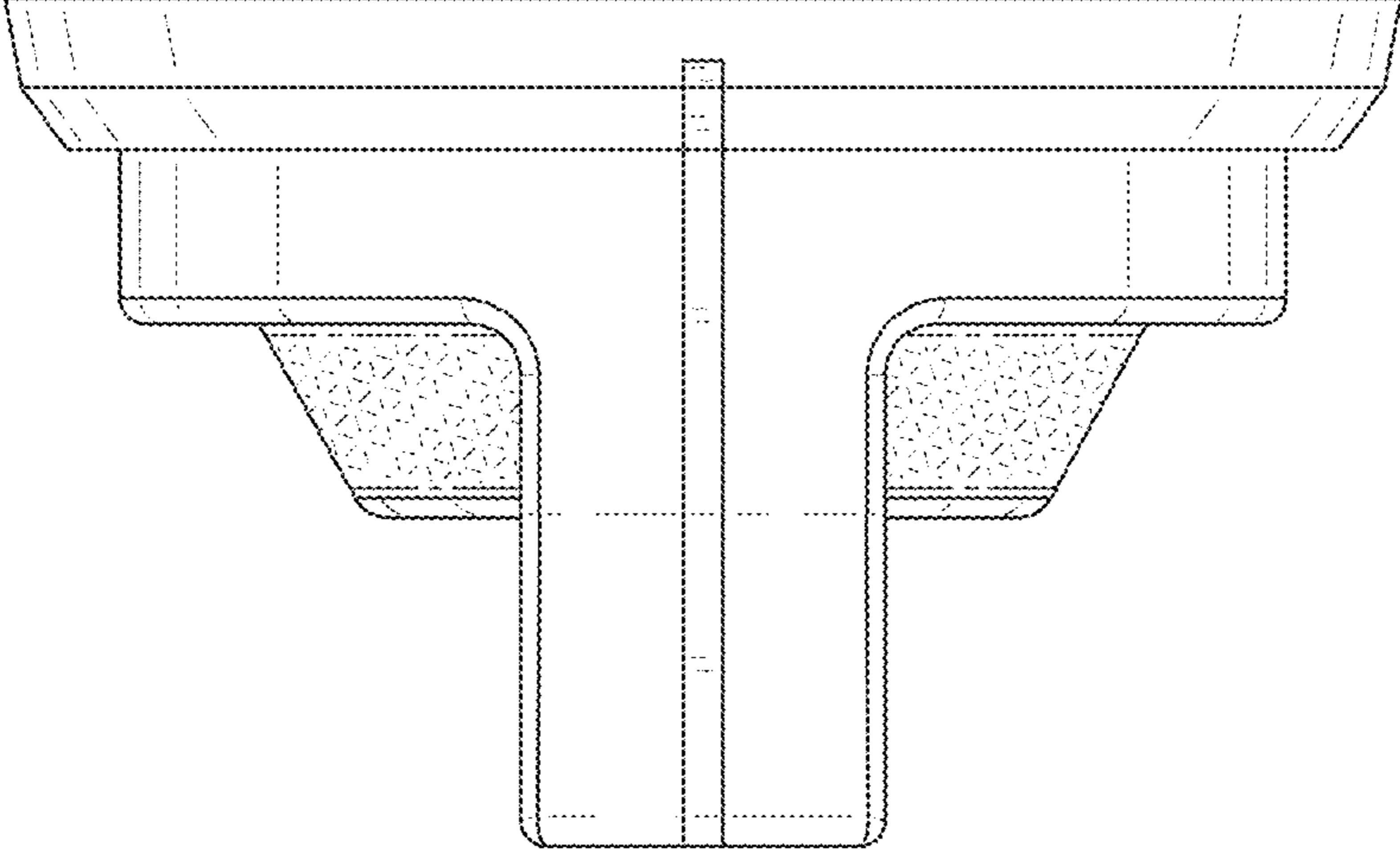




FIG. 7

