



US00D808764S

(12) **United States Design Patent** (10) **Patent No.:** **US D808,764 S**
Weinberger et al. (45) **Date of Patent:** **** Jan. 30, 2018**

- (54) **MULTIPURPOSE TOOL**
- (71) Applicant: **MIW Associates, LLC**, Havertown, PA (US)
- (72) Inventors: **Marvin Weinberger**, Havertown, PA (US); **Steven Metzner**, Havertown, PA (US); **Justin Dodd**, Philadelphia, PA (US); **Evan Gurgui**, Elkins Park, PA (US)
- (73) Assignee: **MIW Associates, LLC**, Havertown, PA (US)

D601,400 S *	10/2009	Delia	D8/105
D639,131 S *	6/2011	Winsor	D8/105
D688,348 S *	8/2013	Christenson	D22/117
D732,365 S *	6/2015	Oddy	D8/76
D751,874 S *	3/2016	Hills	D8/105
2015/0059529 A1 *	3/2015	Franken	B25D 1/02 81/25

(**) Term: **14 Years**

(21) Appl. No.: **29/516,873**

(22) Filed: **Feb. 6, 2015**

(51) **LOC (11) Cl.** **08-05**

(52) **U.S. Cl.**
USPC **D8/105**

(58) **Field of Classification Search**
USPC D8/16-21, 33, 40, 89, 105, 26, 85, 87,
D8/81, 98, 76; D3/208, 210, 211;
D10/86; D29/124; D22/117
CPC B25F 1/006; A62B 3/00; B25D 1/00
See application file for complete search history.

(56) **References Cited**

U.S. PATENT DOCUMENTS

D233,405 S *	10/1974	Frey	D8/105
D299,414 S *	1/1989	Bajza	D8/105
7,051,390 B2	5/2006	van Beek	

OTHER PUBLICATIONS

“The Trucker’s Friend #” Product Description accessed via the internet on Jan. 7, 2015, at URL <http://innovationfactory.com/products/truckers-friend/>, 2011, Innovation Factory, 2 pages.

* cited by examiner

Primary Examiner — Janice Hallmark
(74) *Attorney, Agent, or Firm* — Moss & Barnett;
Michael A. Bondi

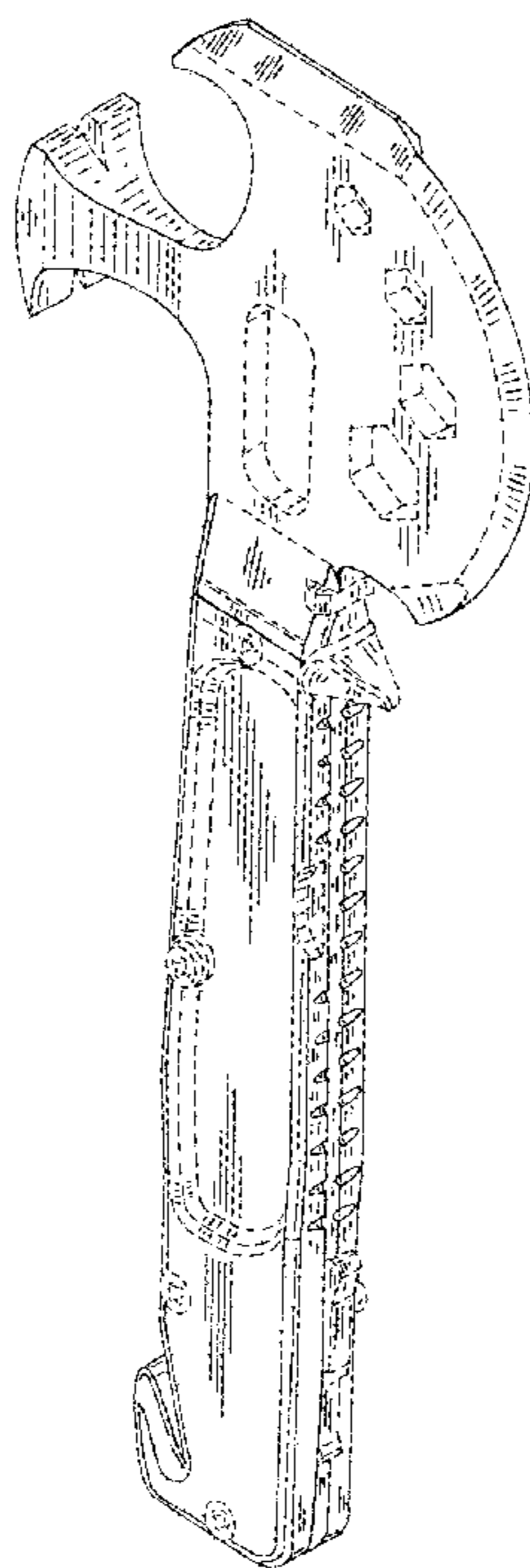
(57) **CLAIM**

The ornamental design for a multipurpose tool, as shown and described.

DESCRIPTION

FIG. 1 is a front view of the multipurpose tool;
FIG. 2 is a top view of the multipurpose tool;
FIG. 3 is a bottom view of the multipurpose tool;
FIG. 4 is a Left Side View of the multipurpose tool;
FIG. 5 is a rear view of the multipurpose tool;
FIG. 6 is a Right Side View of the multipurpose tool; and,
FIG. 7 is an isometric view of the multipurpose tool.
The broken lines in the drawings depict parts of the multipurpose tool that form no part of the claimed design.

1 Claim, 6 Drawing Sheets



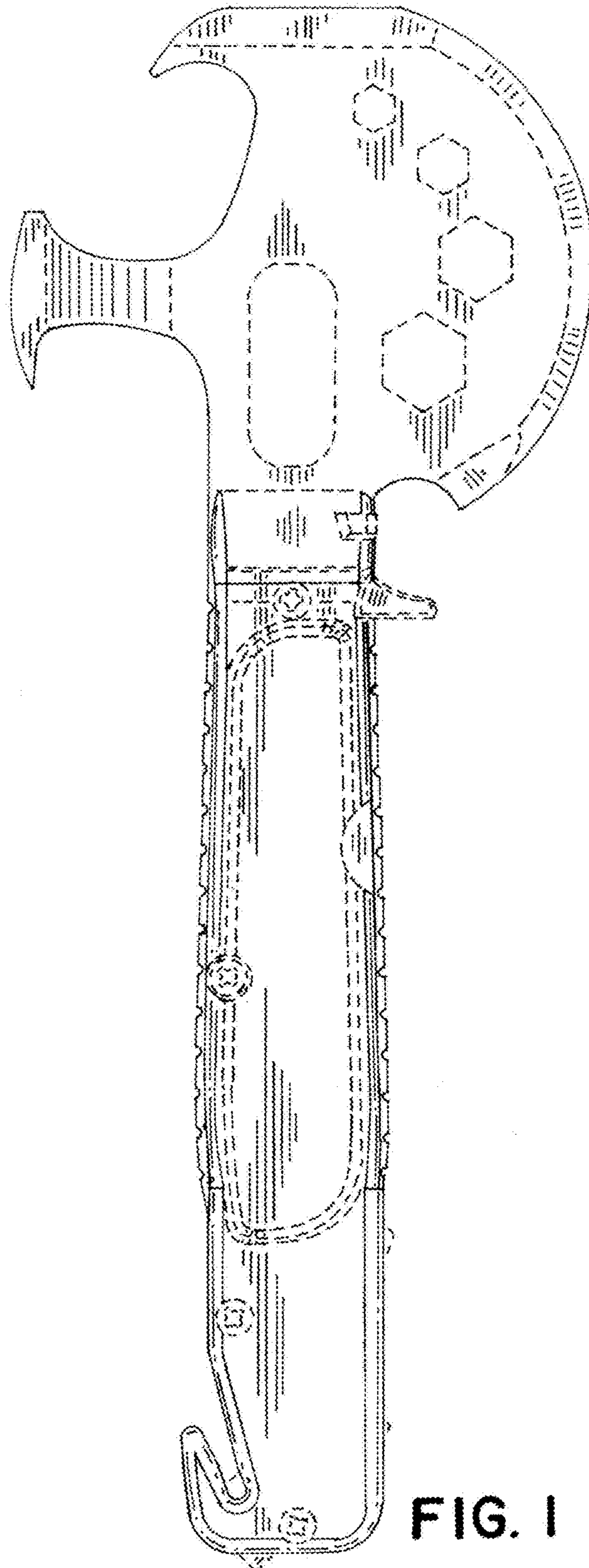


FIG. 1

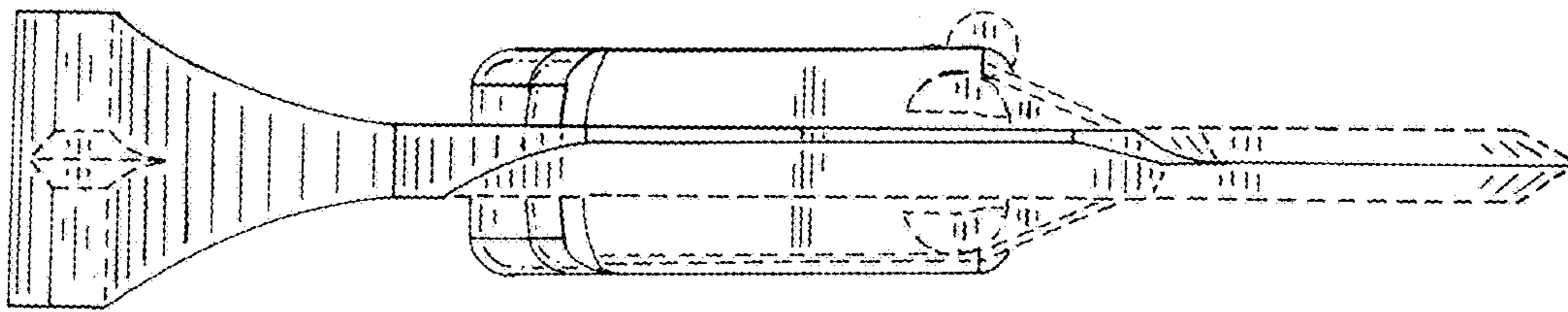


FIG. 2

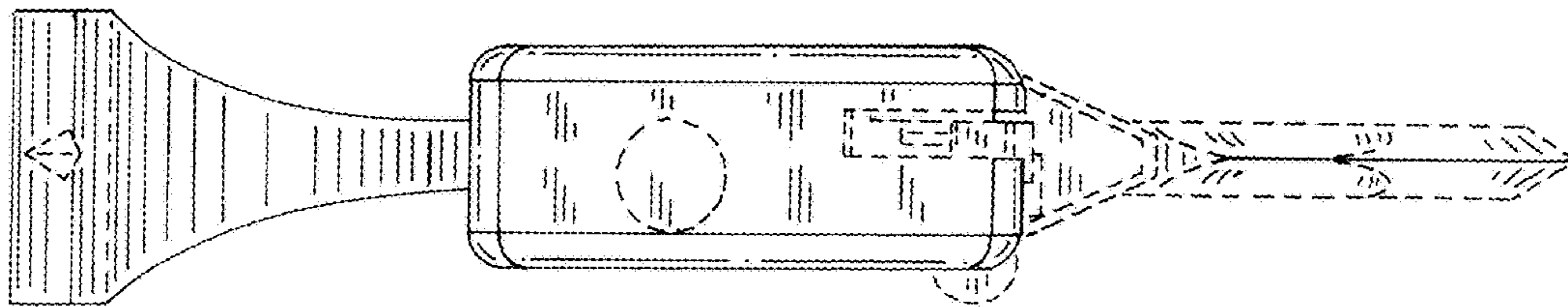


FIG. 3

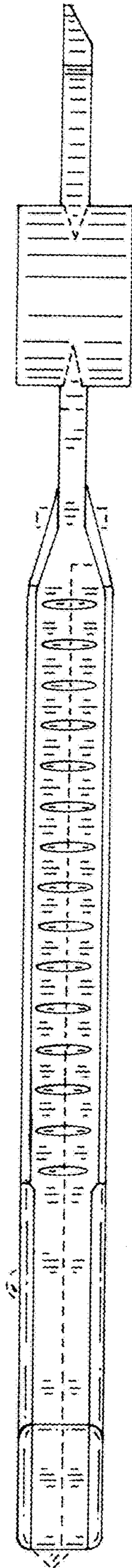


FIG. 4

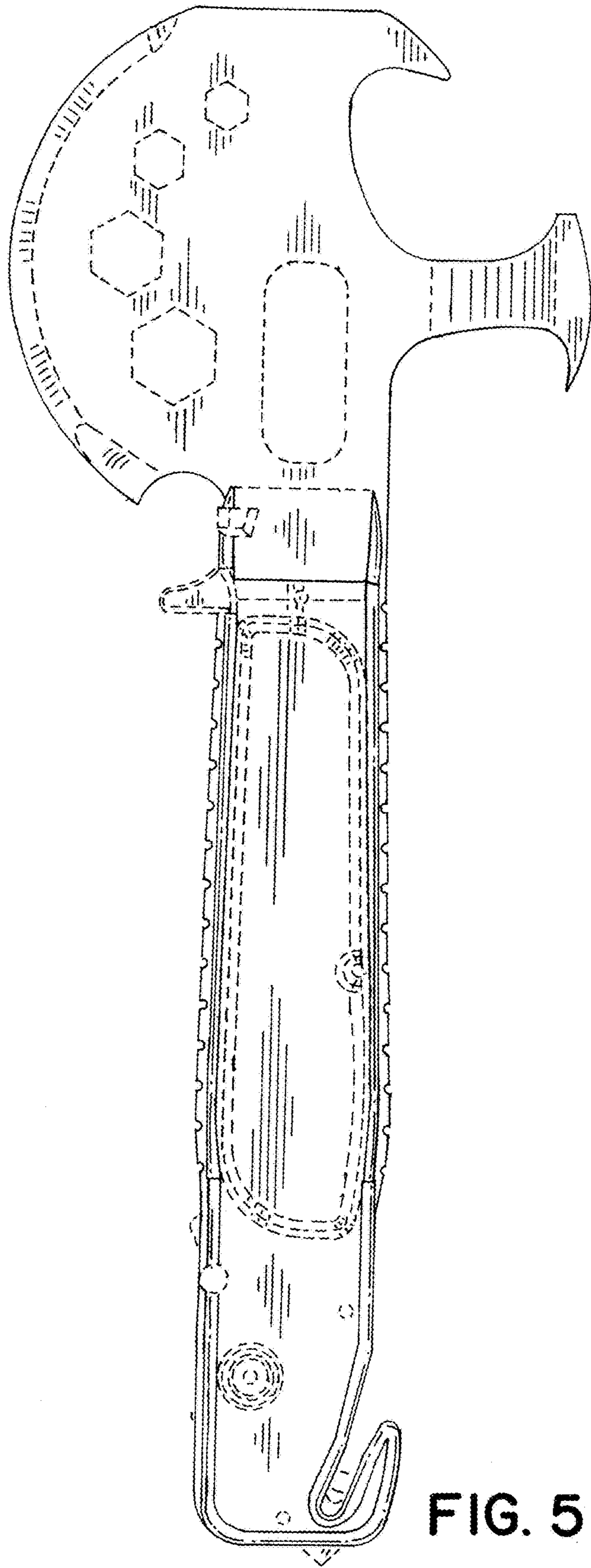


FIG. 5

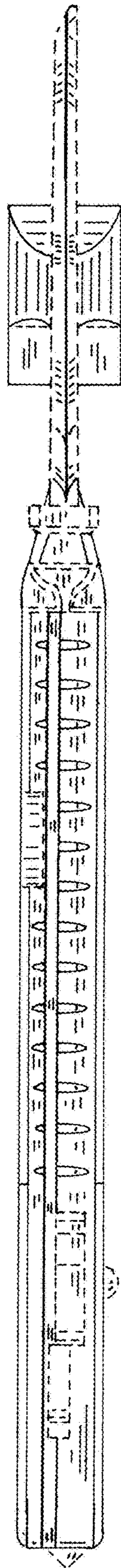


FIG. 6

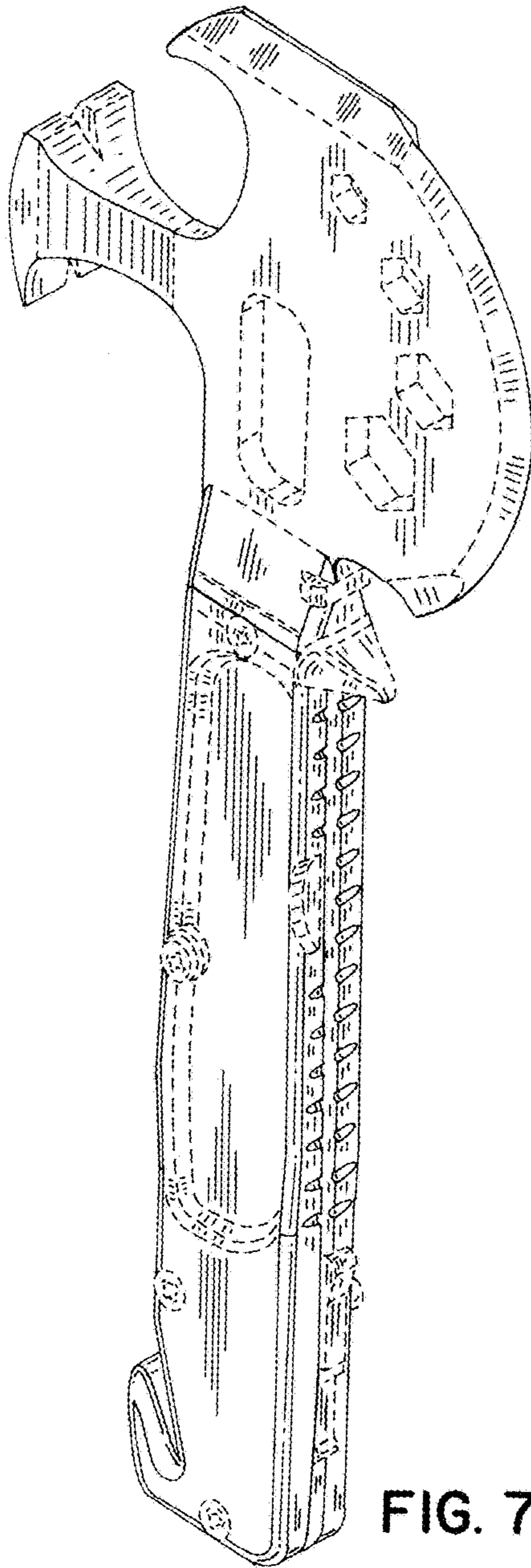


FIG. 7