



US00D808761S

(12) **United States Design Patent**
Nelson

(10) **Patent No.:** **US D808,761 S**
(45) **Date of Patent:** **** Jan. 30, 2018**

- (54) **SLEDGE HAMMER**
- (71) Applicant: **Home Depot Product Authority, LLC**,
Atlanta, GA (US)
- (72) Inventor: **Michael R. Nelson**, Paechtree City, GA
(US)
- (73) Assignee: **Home Depot Product Authority, LLC**,
Atlanta, GA (US)
- (**) Term: **15 Years**
- (21) Appl. No.: **29/559,095**
- (22) Filed: **Mar. 24, 2016**
- (51) **LOC (11) Cl.** **08-02**
- (52) **U.S. Cl.**
USPC **D8/77**
- (58) **Field of Classification Search**
USPC D8/1, 11, 75-81, 107, 303
CPC A01B 1/20; A01B 1/227; A01G 23/099;
B25D 1/00; B25D 1/045; B25D 1/06;
B25G 1/10; B25G 1/01; B25G 1/08;
B25G 3/28; B25G 3/34; B26B 23/00;
B27L 7/06
See application file for complete search history.

(56) **References Cited**

U.S. PATENT DOCUMENTS

D161,034 S *	11/1950	Marthinsen	81/26
D179,018 S *	10/1956	Lowe et al.	D8/77
D182,077 S *	2/1958	MacMinn	D21/728
D182,132 S *	2/1958	MacMinn	D21/728
D182,133 S *	2/1958	MacMinn	D21/728
D182,134 S *	2/1958	MacMinn	D21/728
3,088,506 A *	5/1963	Bianchini	B25D 1/02 81/19
3,721,282 A *	3/1973	Hayes	B25D 1/02 403/343
3,821,973 A *	7/1974	Carmien	B25D 1/02 81/25

3,948,301 A *	4/1976	Hays	B25D 1/04 81/19
4,287,640 A *	9/1981	Keathley	B25G 3/34 125/43
4,344,901 A *	8/1982	Keathley	B25G 3/34 264/261
4,393,908 A *	7/1983	Clay	B25D 1/14 81/25
D274,496 S *	7/1984	Grover	D8/77
D285,284 S *	8/1986	Blomqvist	D8/77
D302,932 S *	8/1989	Chapin	D8/75
5,012,702 A *	5/1991	Taylor	B25G 3/24 81/25
D330,837 S *	11/1992	Harmon	D8/80
D350,269 S *	9/1994	Majors	D8/77
D350,470 S *	9/1994	Majors	D8/77
D463,725 S *	10/2002	Wroblewski	D8/77

(Continued)

OTHER PUBLICATIONS

<http://www.homedepot.com/p/Husky-4-lb-Engineer-Hammer-with-14-in-Fiberglass-Handl...> . . . Downloaded Sep. 13, 2017.*

Primary Examiner — Philip S Hyder
Assistant Examiner — Roselynn Cody
(74) *Attorney, Agent, or Firm* — Greenberg Traurig, LLP

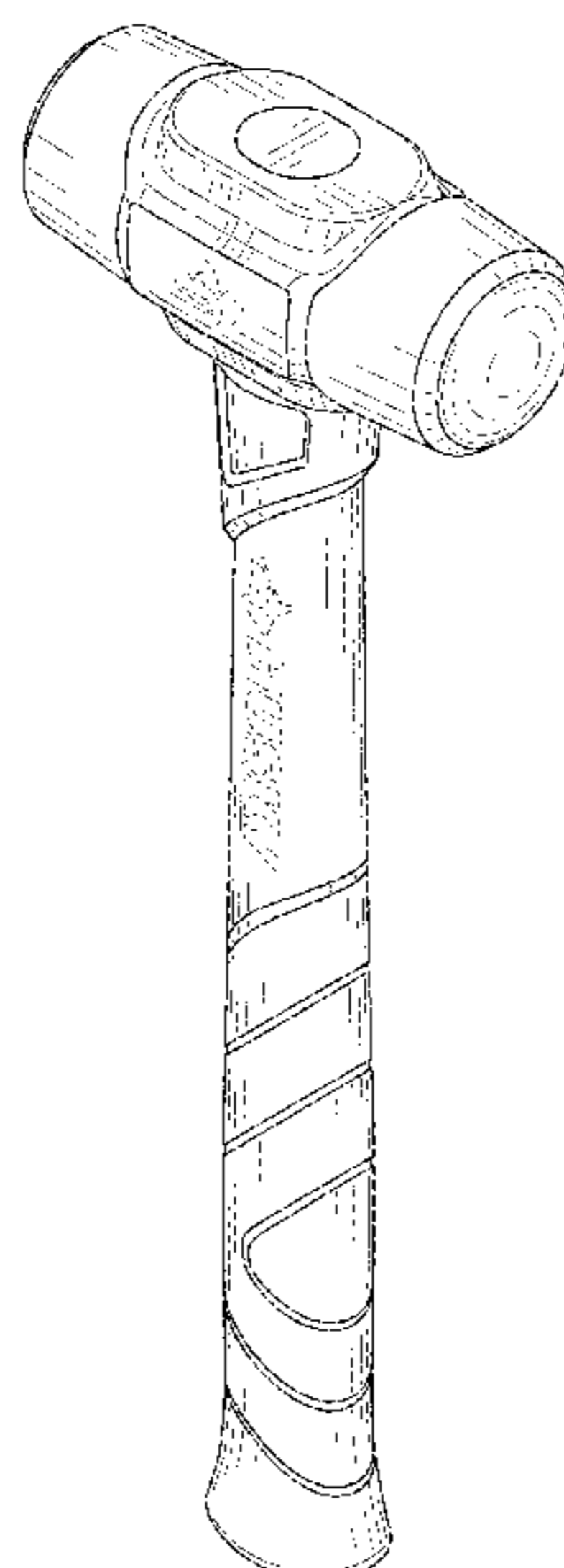
(57) **CLAIM**

The ornamental design for a sledge hammer, as shown and described.

DESCRIPTION

FIG. 1 is a perspective view of my design;
FIG. 2 is a front view thereof;
FIG. 3 is a rear view thereof;
FIG. 4 is a right view thereof;
FIG. 5 is a left view thereof;
FIG. 6 is a top view thereof; and,
FIG. 7 is a bottom view thereof.
The broken lines in the drawings depict features of the sledge hammer that form no part of the claim.

1 Claim, 3 Drawing Sheets



(56)

References Cited

U.S. PATENT DOCUMENTS

6,595,087	B2 *	7/2003	Whalen	B25D 1/12 81/22
D533,759	S *	12/2006	Hopper, Jr.	D8/77
D628,870	S *	12/2010	Jerabek	D8/78
D649,246	S *	11/2011	Prichett	D24/142
D652,703	S *	1/2012	Onello	D8/77
D653,094	S *	1/2012	Onello	D8/77
D653,095	S *	1/2012	Onello	D8/77
D758,818	S *	6/2016	Nelson	D8/80
D760,055	S *	6/2016	Nelson	D8/80
D769,688	S *	10/2016	Nelson	D8/80
D770,257	S *	11/2016	Stokes	D8/75
D770,258	S *	11/2016	Stokes	D8/76
D772,671	S *	11/2016	Stokes	D8/75

* cited by examiner

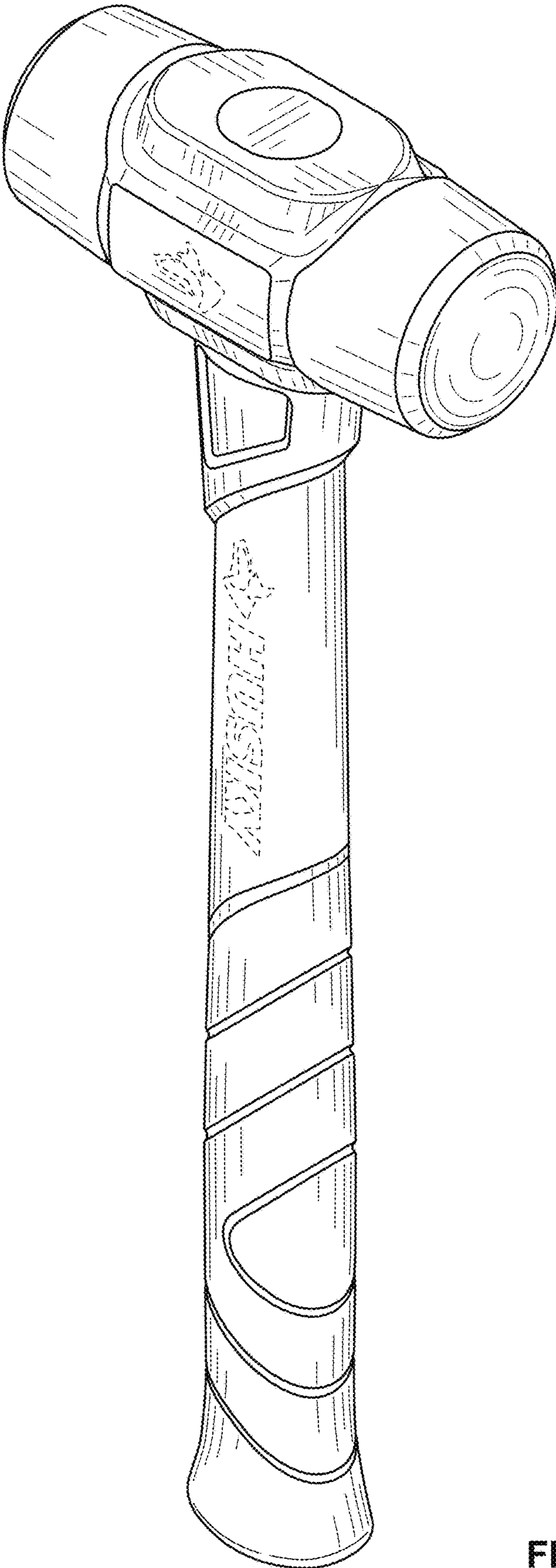
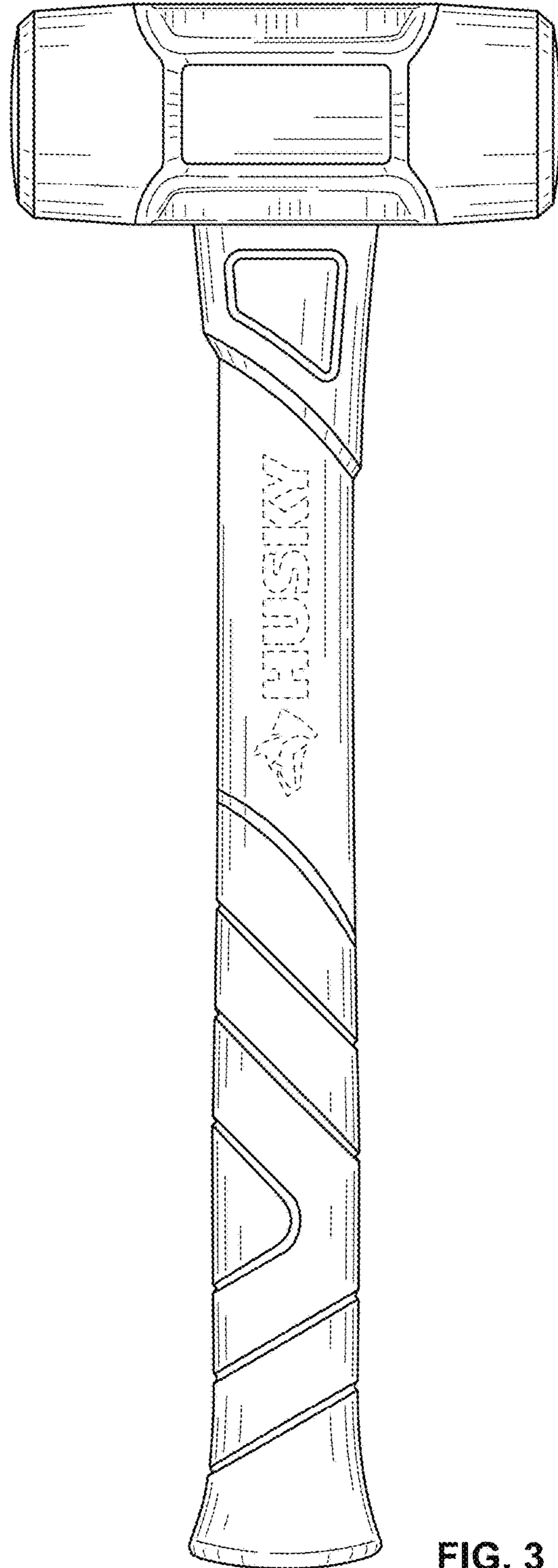
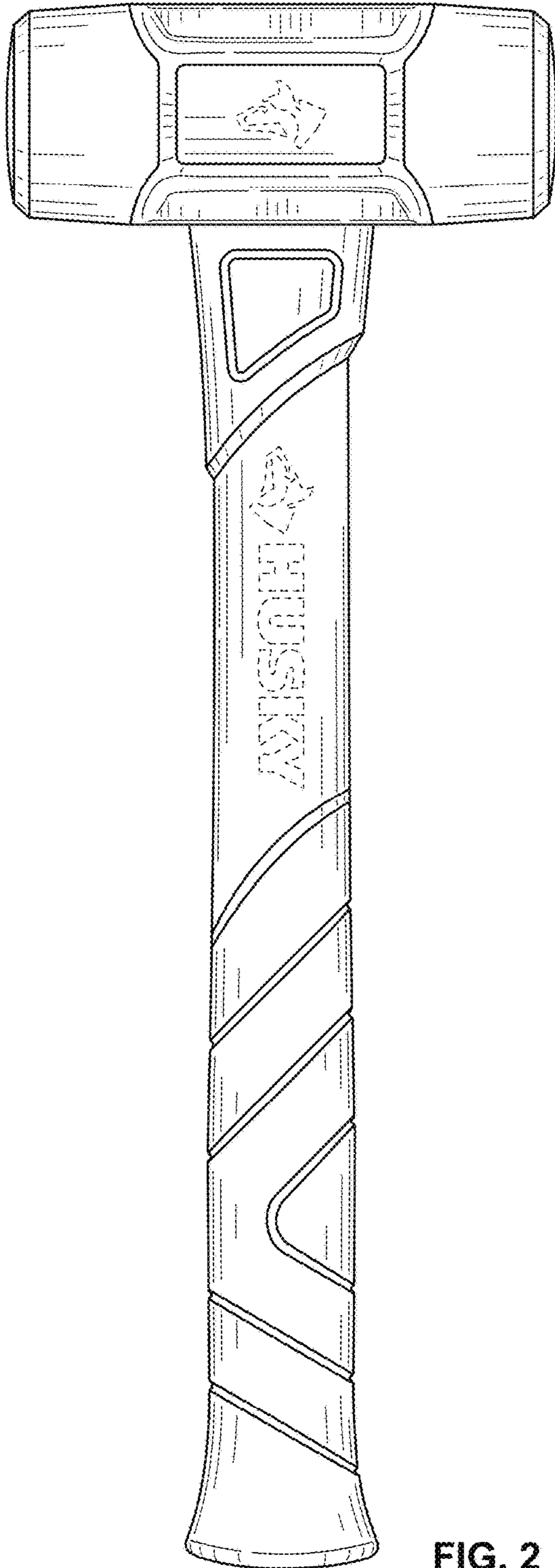


FIG. 1



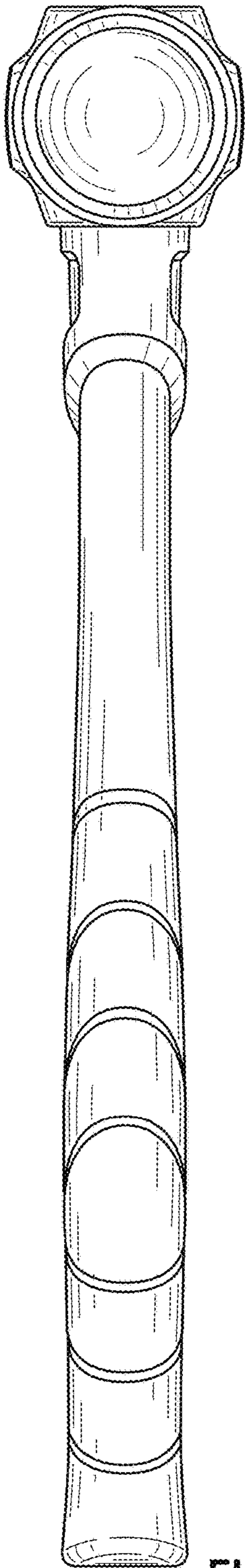


FIG. 4

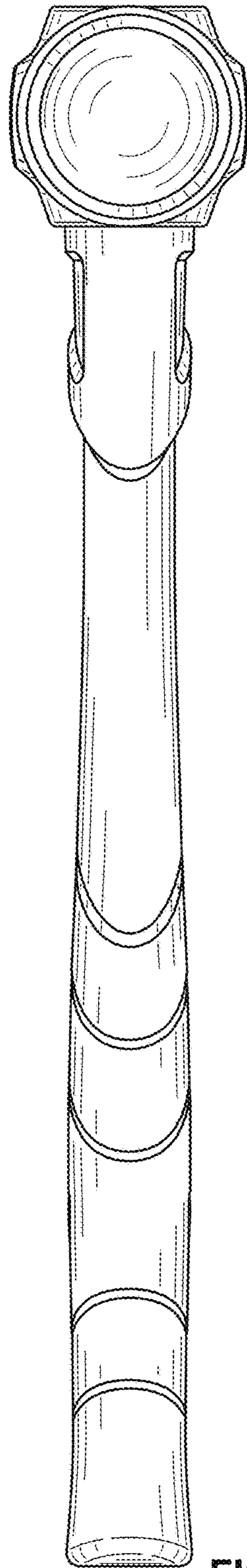


FIG. 5

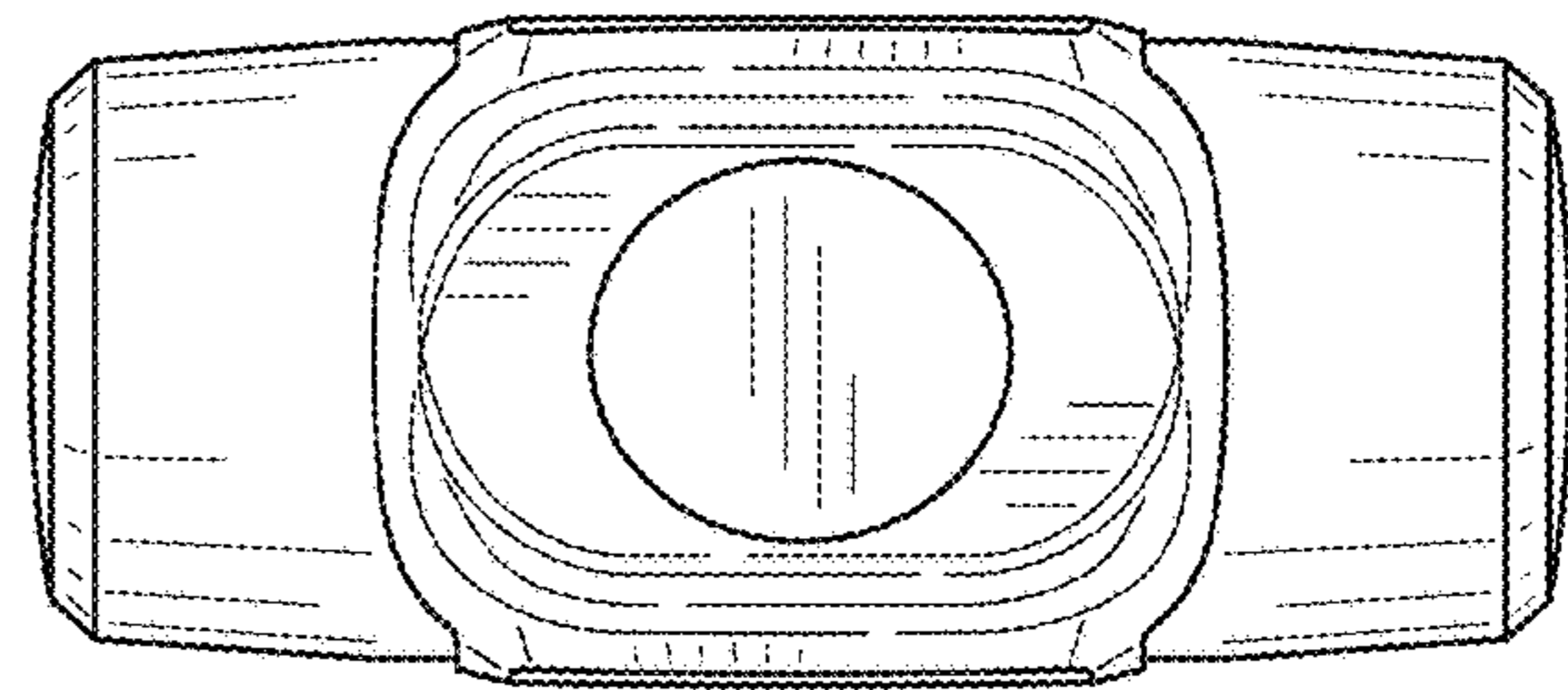


FIG. 6

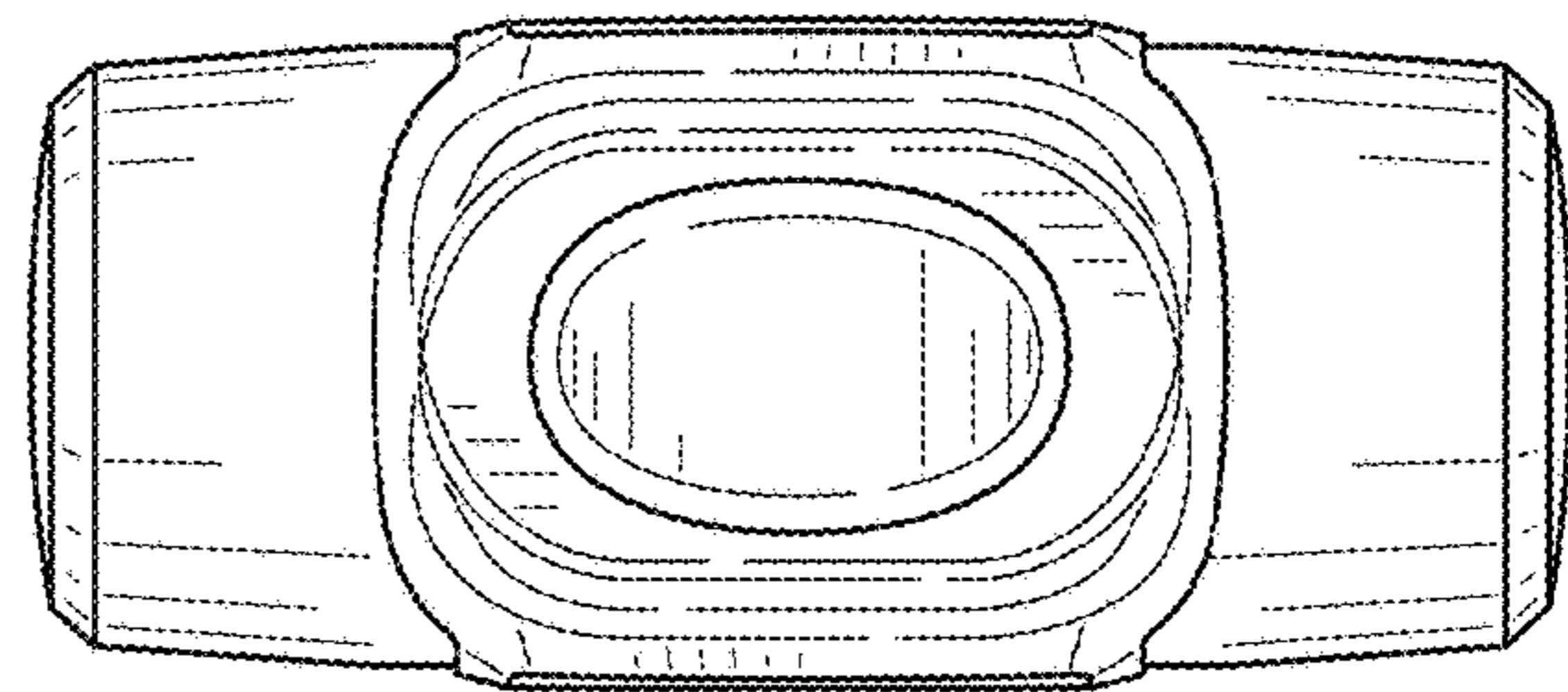


FIG. 7